



US00D688353S

(12) **United States Design Patent**
Flowers et al.

(10) **Patent No.:** **US D688,353 S**

(45) **Date of Patent:** **** Aug. 20, 2013**

(54) **VALVE**

D582,014 S * 12/2008 Spangler D23/250
D596,270 S * 7/2009 Hanna D23/254
D651,693 S * 1/2012 Flowers et al. D23/252

(75) Inventors: **Paul Flowers**, Duesseldorf (DE); **Jochen Allard**, Menden (DE)

* cited by examiner

(73) Assignee: **Grohe AG**, Hemer (DE)

Primary Examiner — Robert Delehanty

(**) Term: **14 Years**

(74) *Attorney, Agent, or Firm* — Muncy, Geissler, Olds & Lowe, PLLC

(21) Appl. No.: **29/388,435**

(22) Filed: **Mar. 29, 2011**

(51) **LOC (9) Cl.** **23-01**

(52) **U.S. Cl.**
USPC **D23/253**

(58) **Field of Classification Search**
USPC D23/238–243, 253; D8/350–353;
4/675–678; 137/359, 801
See application file for complete search history.

(57) **CLAIM**

The ornamental design for a valve, as shown and described.

DESCRIPTION

FIG. 1 is a left side elevational view of the valve of the present invention, the right side elevational view being a mirror image thereof.

FIG. 2 is a front elevational view of the valve of FIG. 1.

FIG. 3 is a rear elevation view of the valve of FIG. 1.

FIG. 4 is a top plan view of the valve of FIG. 1, the bottom plan view being a mirror image thereof; and,

FIG. 5 is a three-quarter view of the valve of FIG. 1.

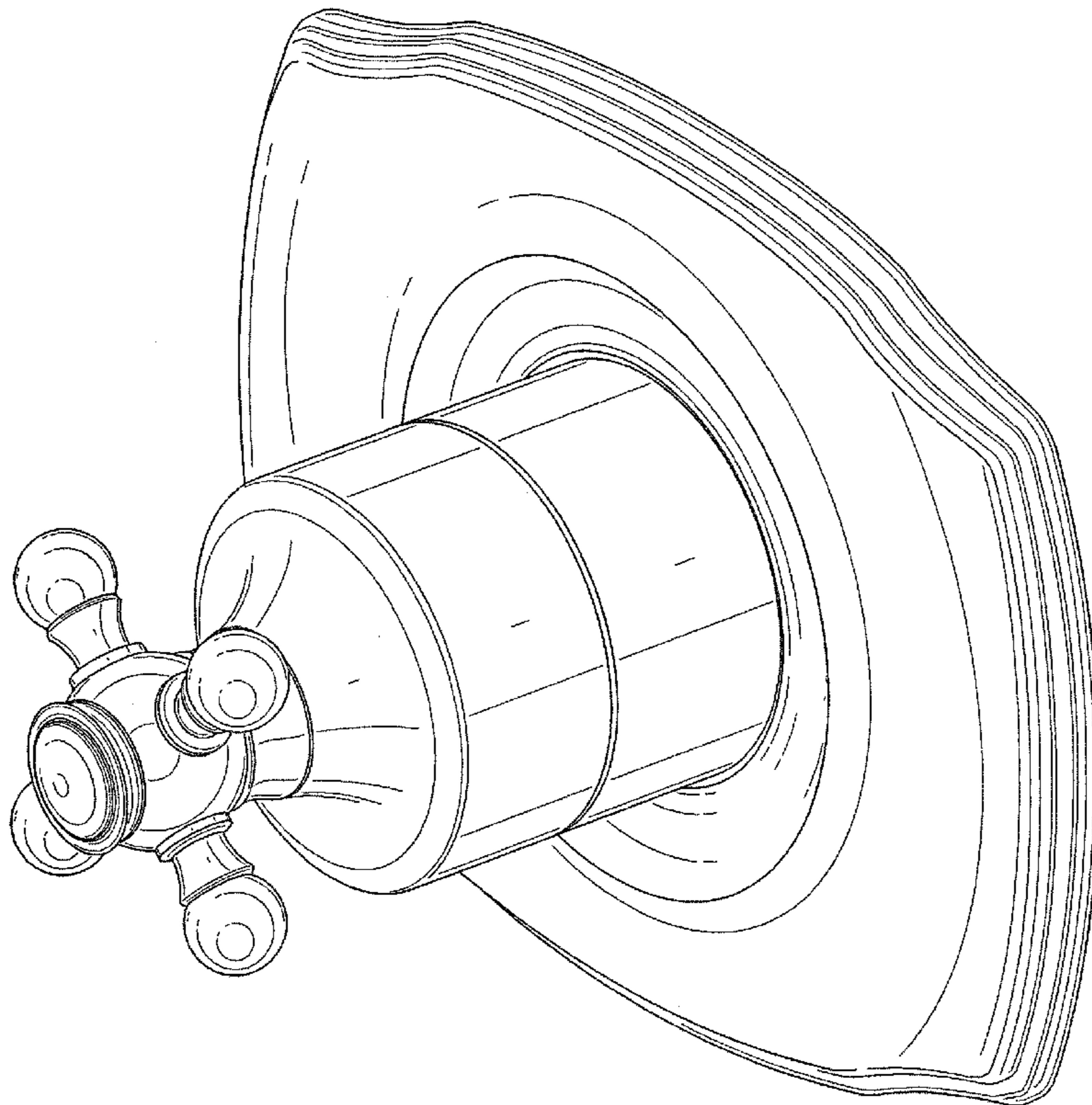
The dashed lines illustrate environment that does not form a part of the present invention, and no claim is made to the material illustrated with dashed lines.

(56) **References Cited**

U.S. PATENT DOCUMENTS

D141,371 S * 5/1945 Gits et al. D8/350
D458,344 S * 6/2002 Mullenmeister D23/250
D458,668 S * 6/2002 Mullenmeister D23/254
D459,445 S * 6/2002 Mullenmeister D23/254
D574,468 S * 8/2008 Wolf D23/254
D581,490 S * 11/2008 Painter D23/254

1 Claim, 5 Drawing Sheets



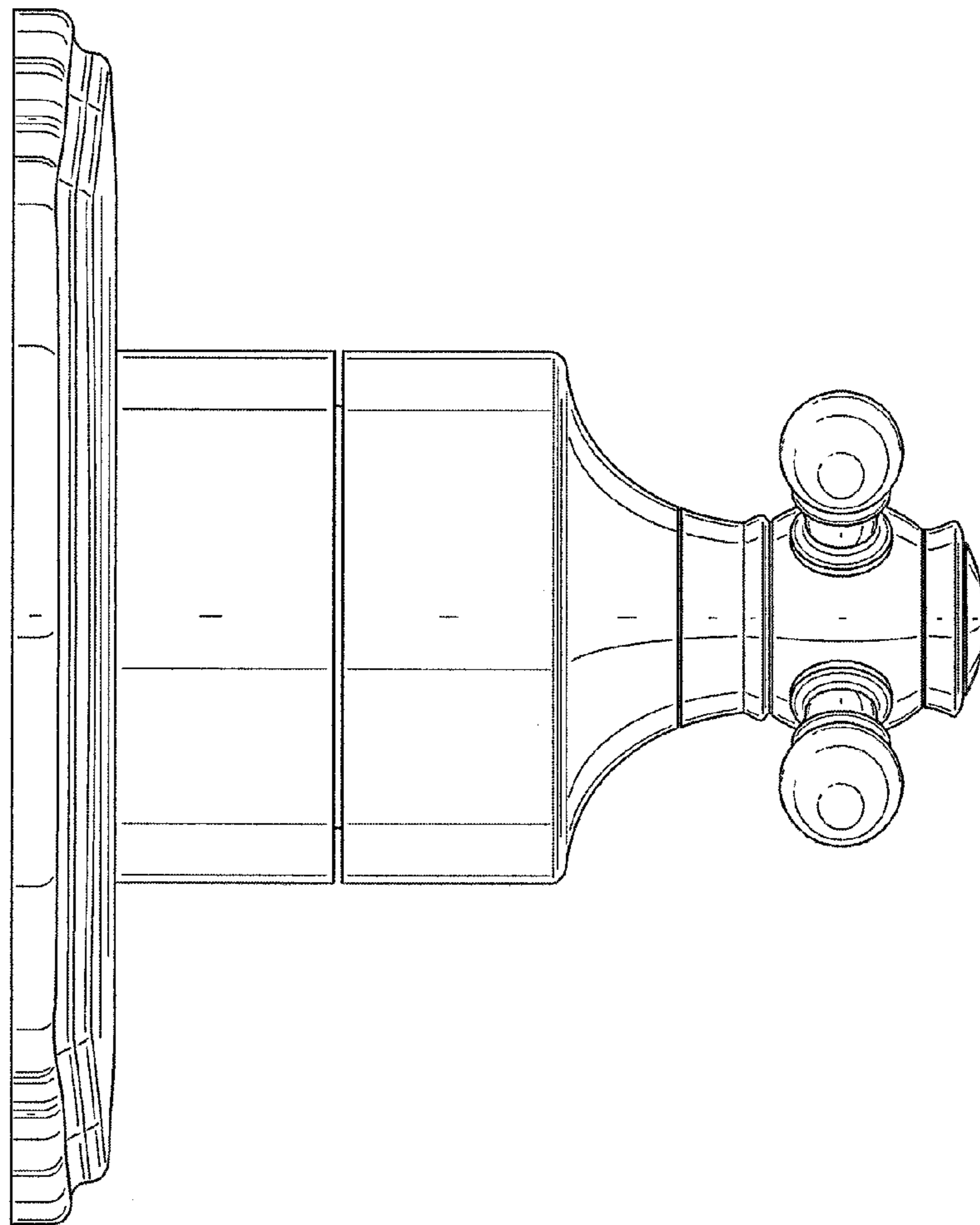


FIG. 1

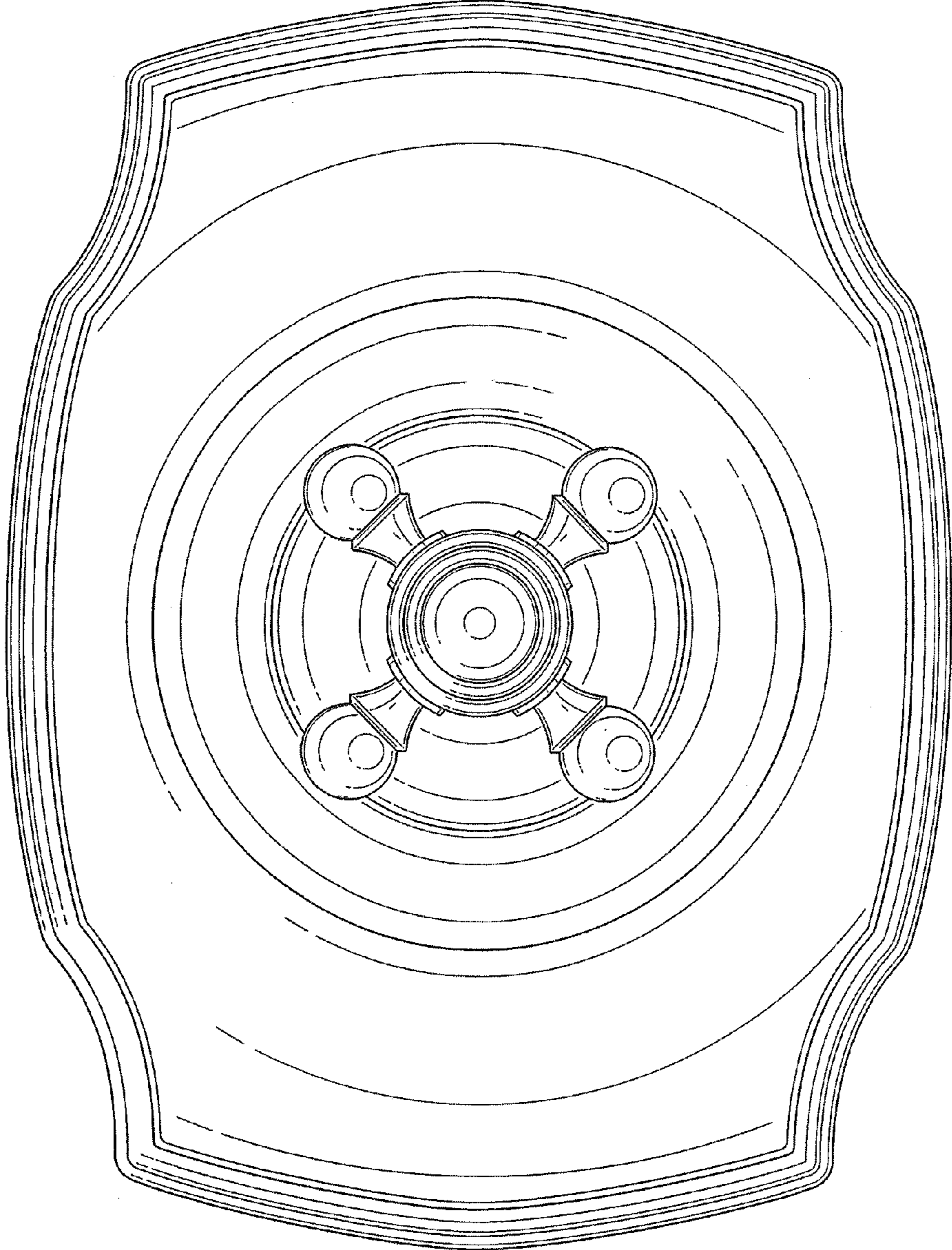


FIG. 2

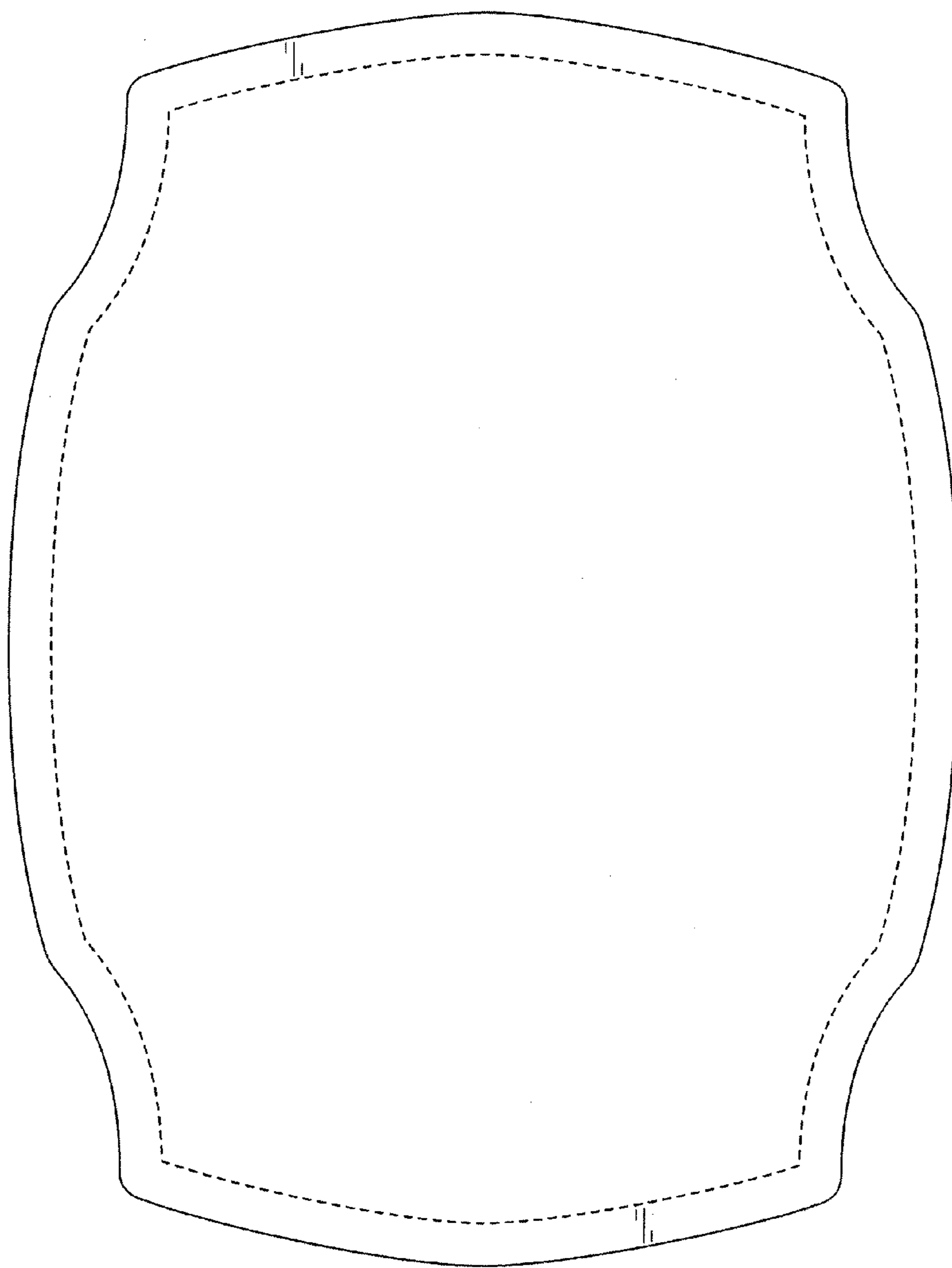


FIG. 3

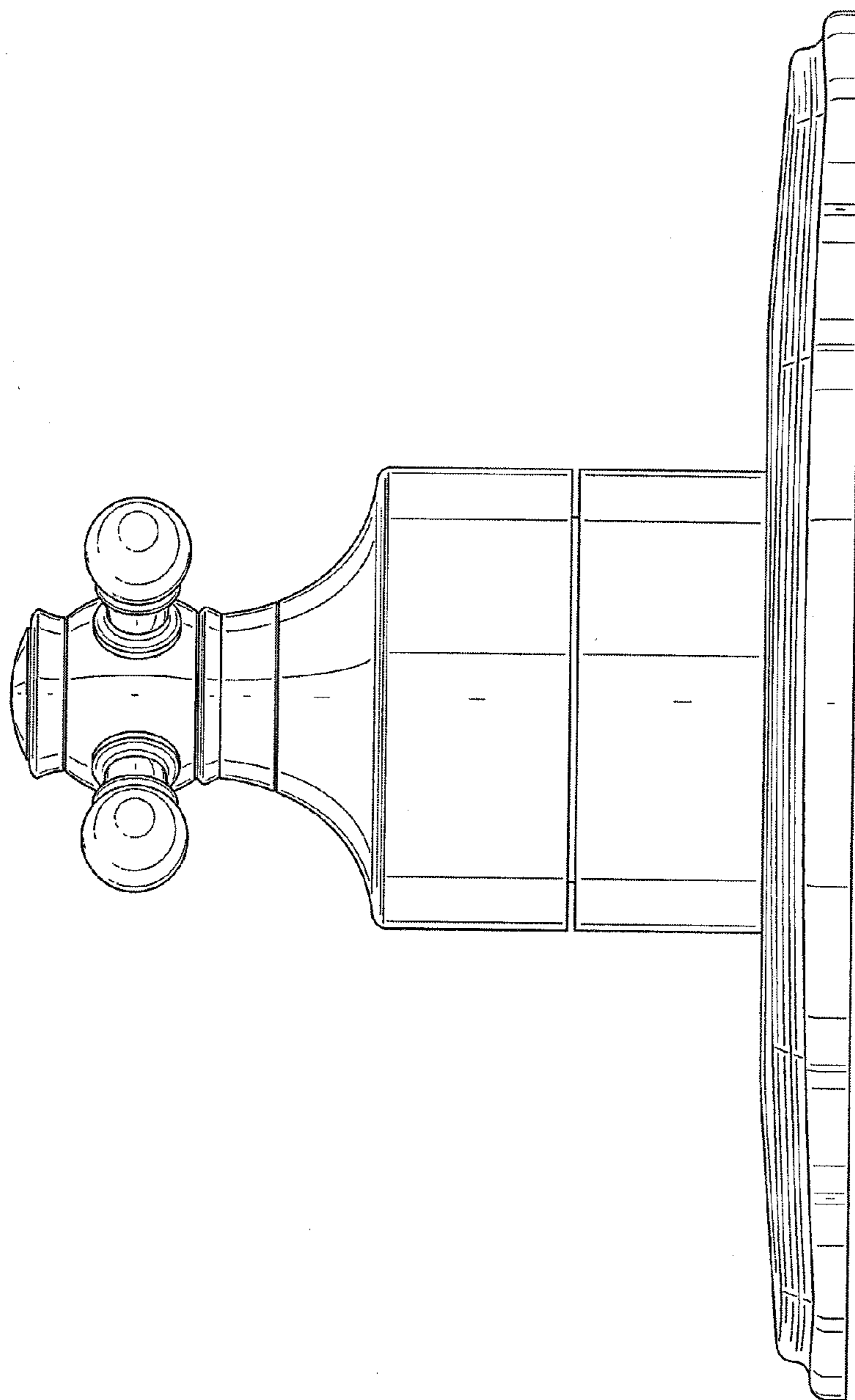


FIG. 4

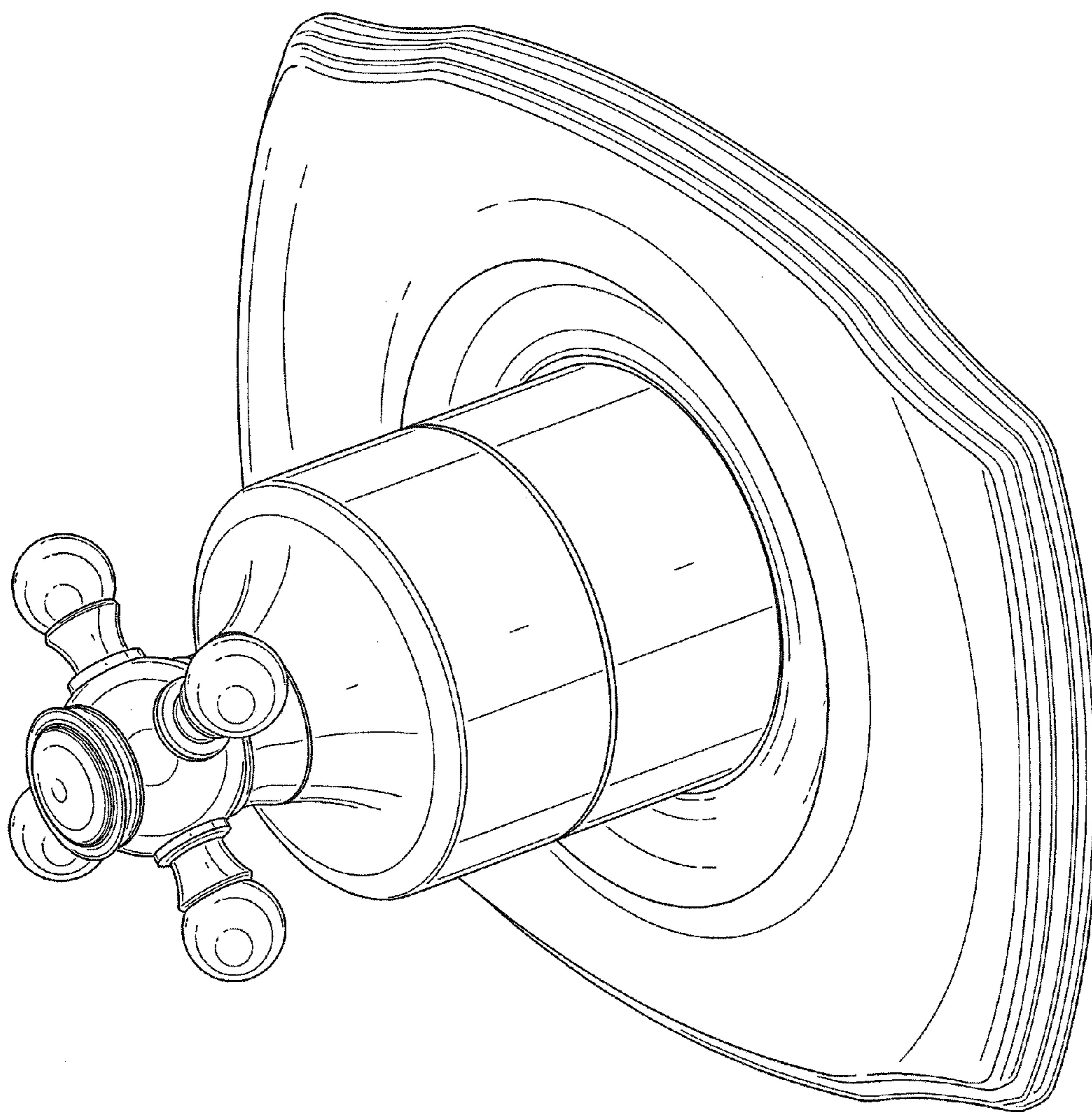


FIG. 5