



US00D688352S

(12) **United States Design Patent**
Fuller

(10) **Patent No.:** **US D688,352 S**

(45) **Date of Patent:** **** Aug. 20, 2013**

(54) **FEMALE GAS CONNECTOR**

2011/0262335 A1* 10/2011 Fuller et al. 285/330

* cited by examiner

(75) Inventor: **Jody Fuller**, Merritt Island, FL (US)

Primary Examiner — Garth Rademaker

(73) Assignee: **Geno LLC**, Cocoa, FL (US)

(74) *Attorney, Agent, or Firm* — Steptoe & Johnson LLP

(**) Term: **14 Years**

(57) **CLAIM**

The ornamental design for a female gas connector, as shown and described.

(21) Appl. No.: **29/360,525**

DESCRIPTION

(22) Filed: **Apr. 27, 2010**

(51) **LOC (9) Cl.** **23-01**

(52) **U.S. Cl.**
USPC **D23/233**

(58) **Field of Classification Search**

USPC D23/200, 207, 209, 210, 233–237,
D23/244–249, 259–269, 310; 29/890.14,
29/890.141–890.145; 285/330; 423/239.1

See application file for complete search history.

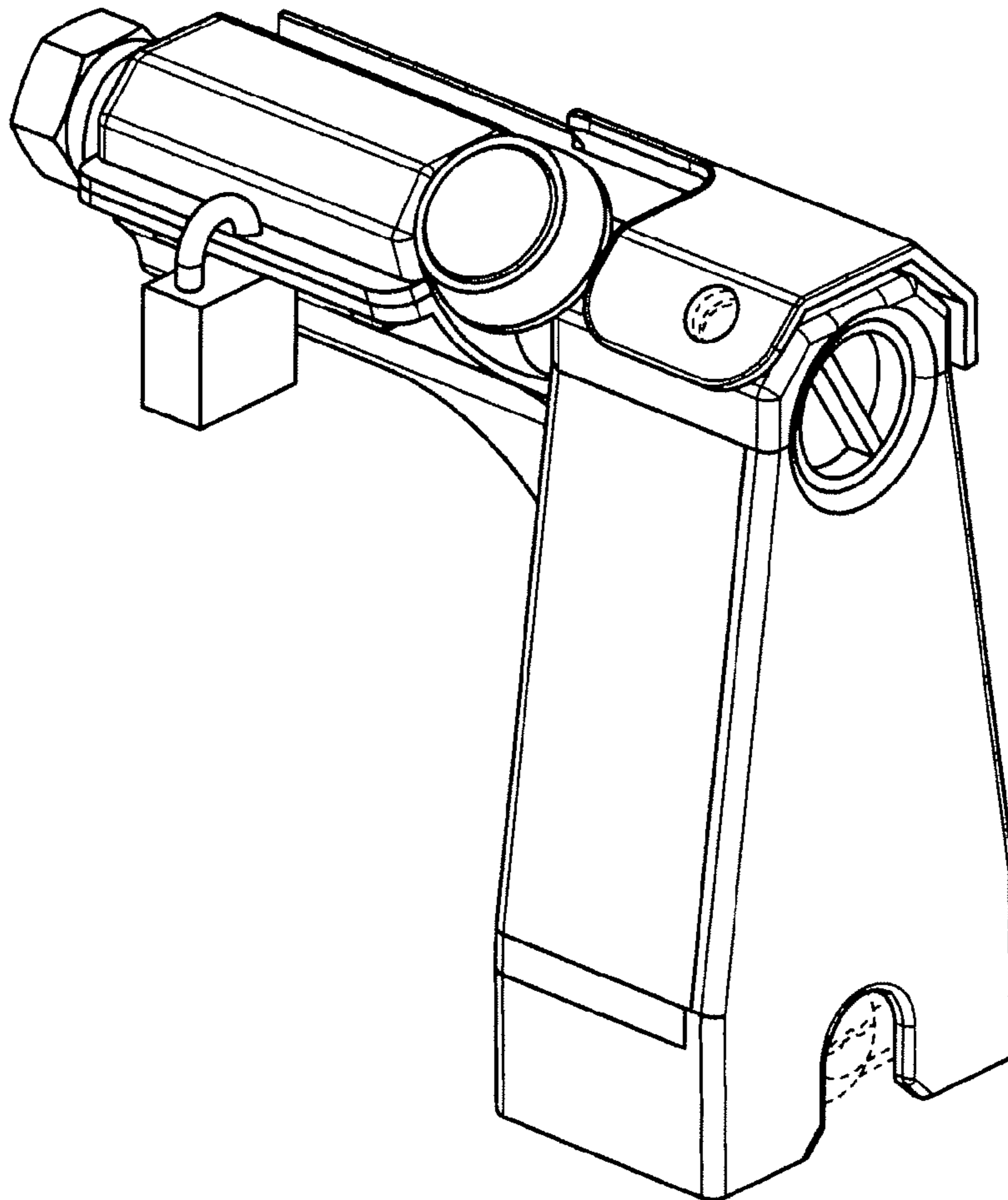
FIG. 1 is a perspective view of a female connector.
FIG. 2 is a front view of the female gas connector.
FIG. 3 is a left view of the female gas connector.
FIG. 4 is a right view of the female gas connector.
FIG. 5 is a top view of the female gas connector.
FIG. 6 is a bottom view of the female gas connector
FIG. 7 is a front view of the female gas connector, shown
connected to a gas bottle and a male connector; and,
FIG. 8 is a side view of the female gas connector, shown
connected to a gas bottle and a male connector.
The broken lines depict environmental subject matter only
and form no part of the claimed design.

(56) **References Cited**

U.S. PATENT DOCUMENTS

7,314,211 B2* 1/2008 Vallon et al. 251/321

1 Claim, 8 Drawing Sheets



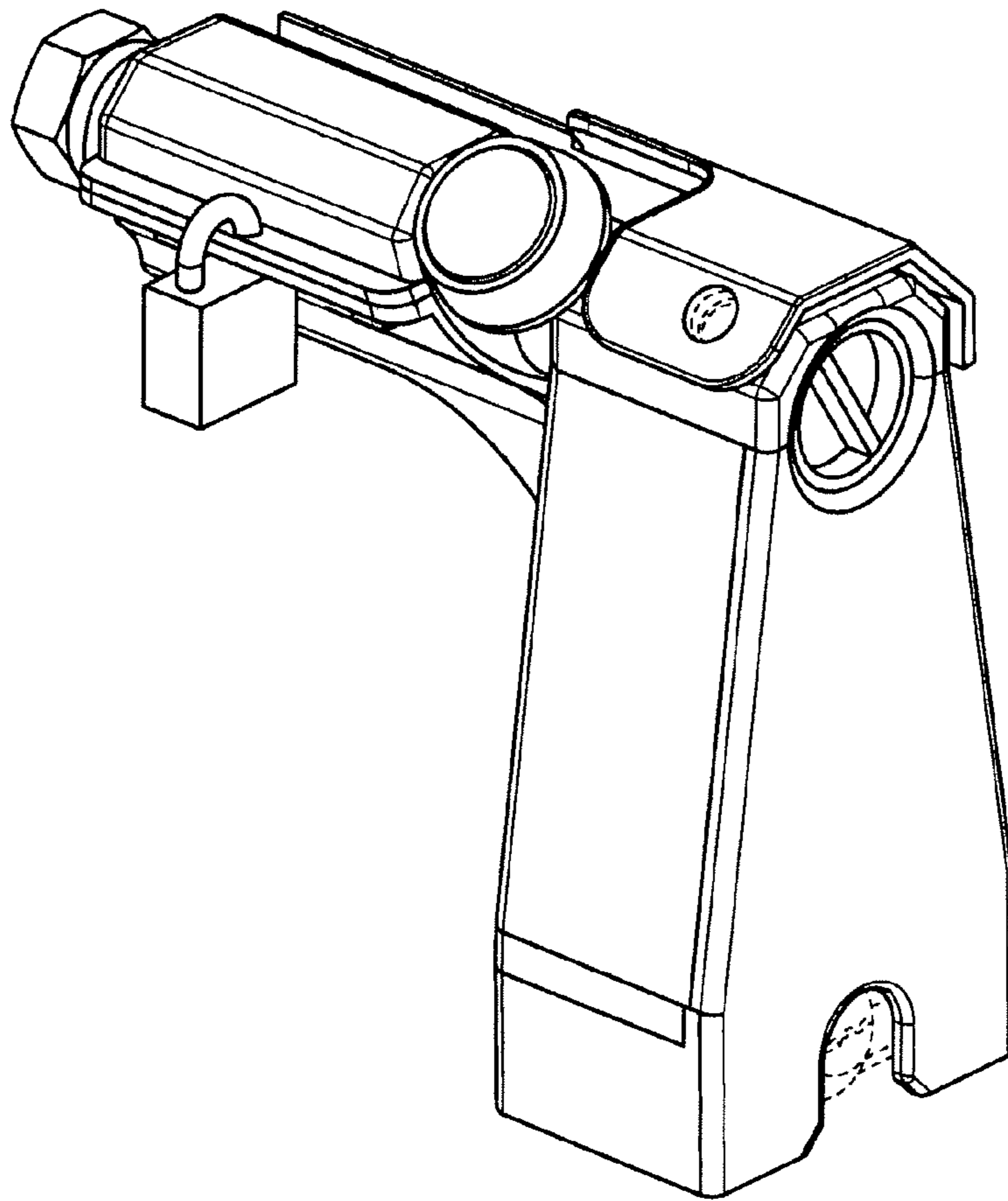


FIG. 1

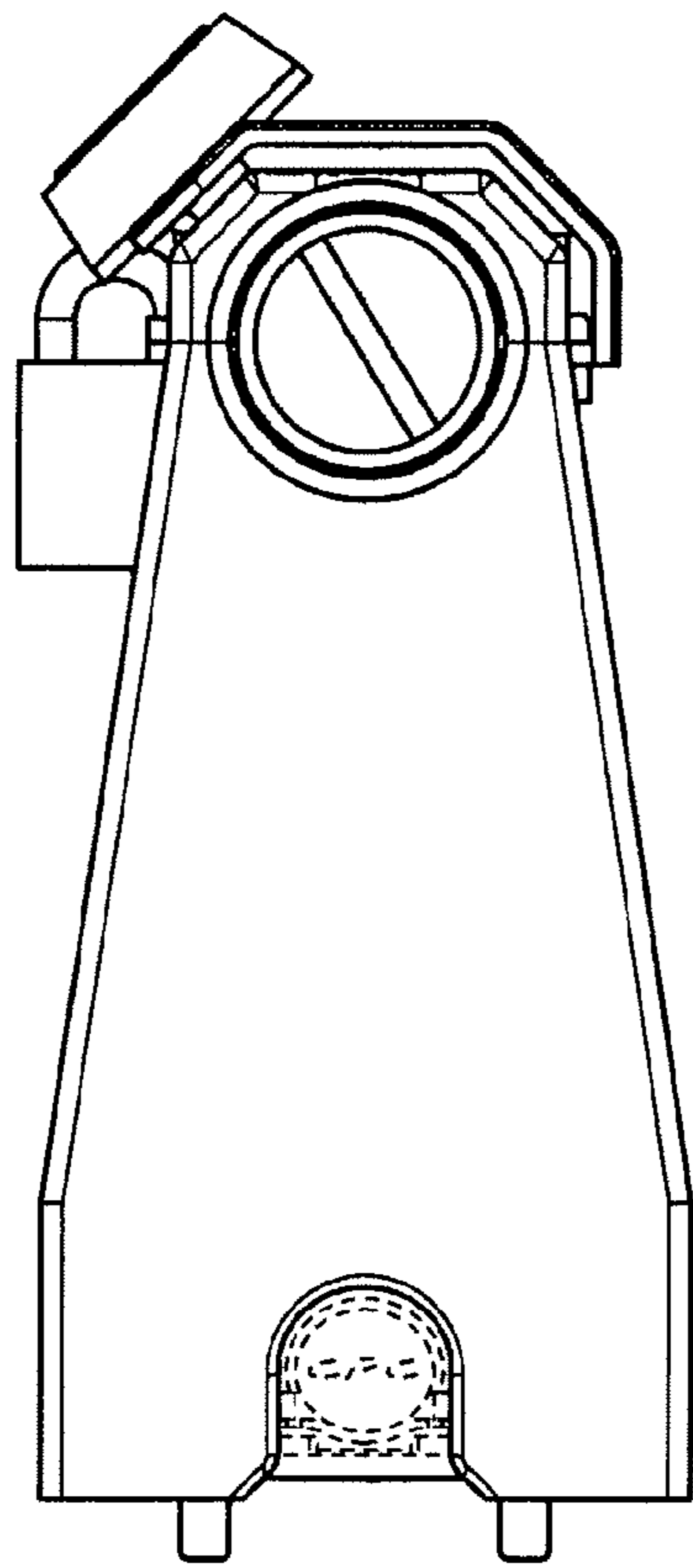


FIG. 2

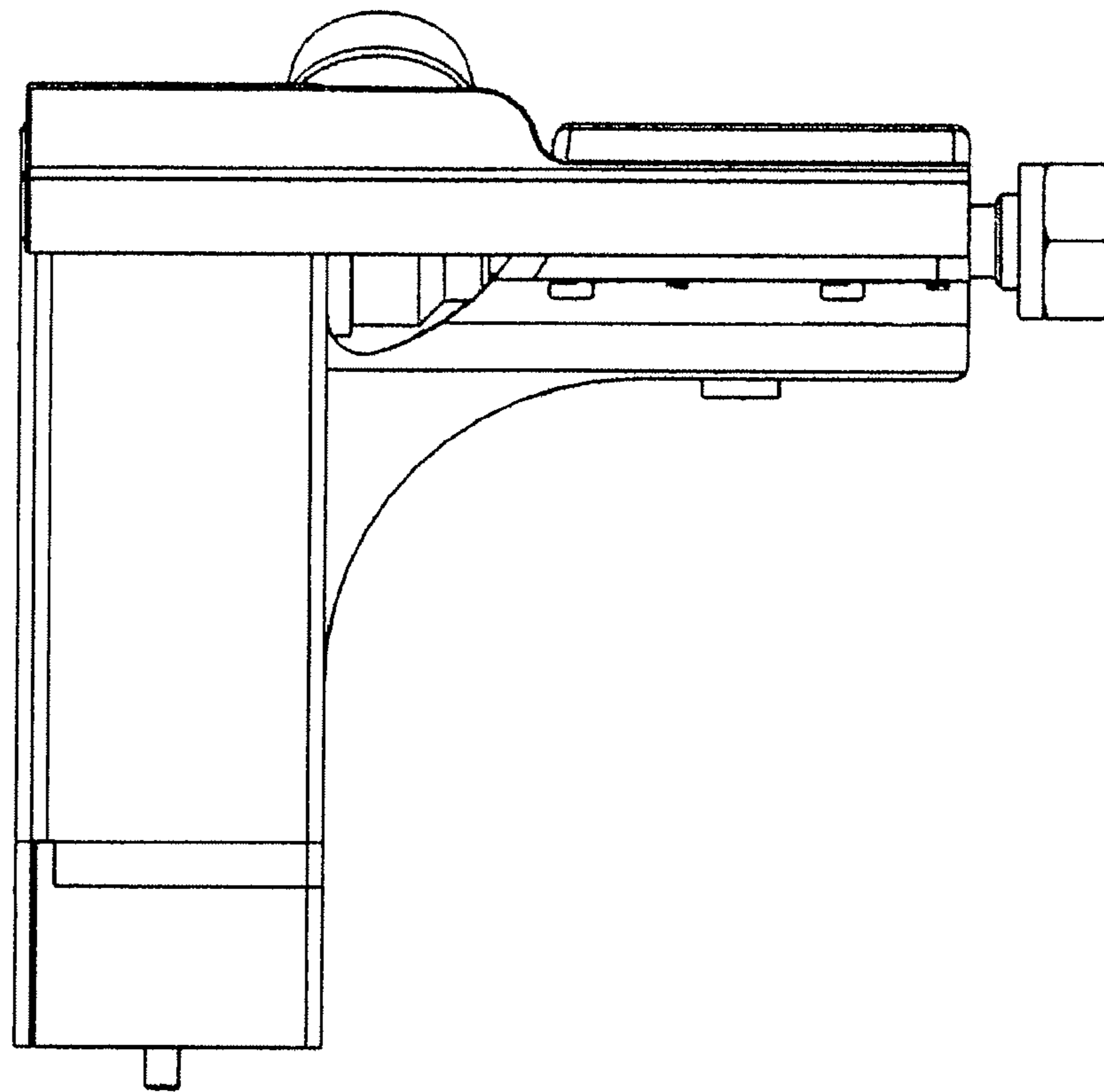


FIG. 3

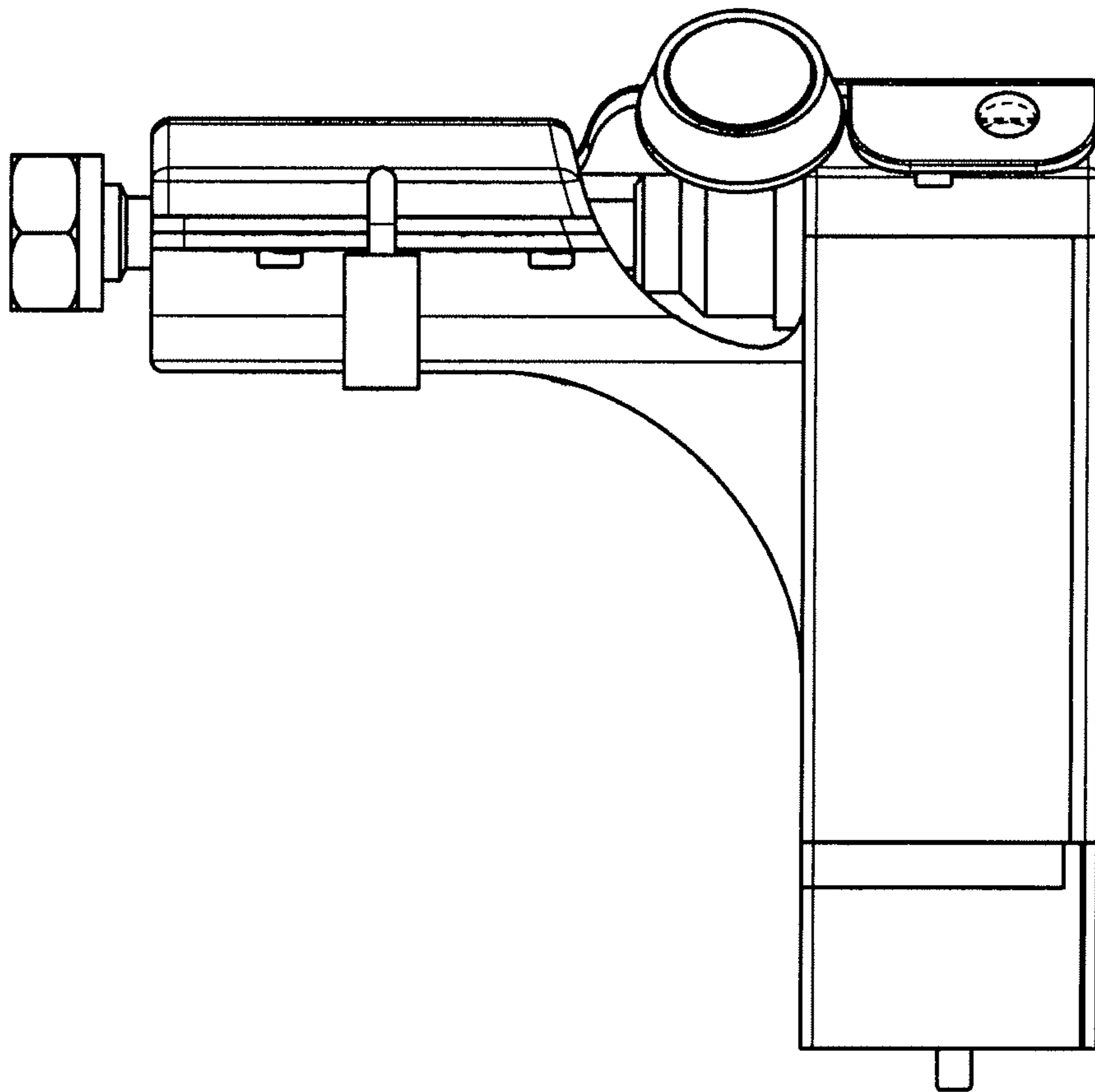


FIG. 4

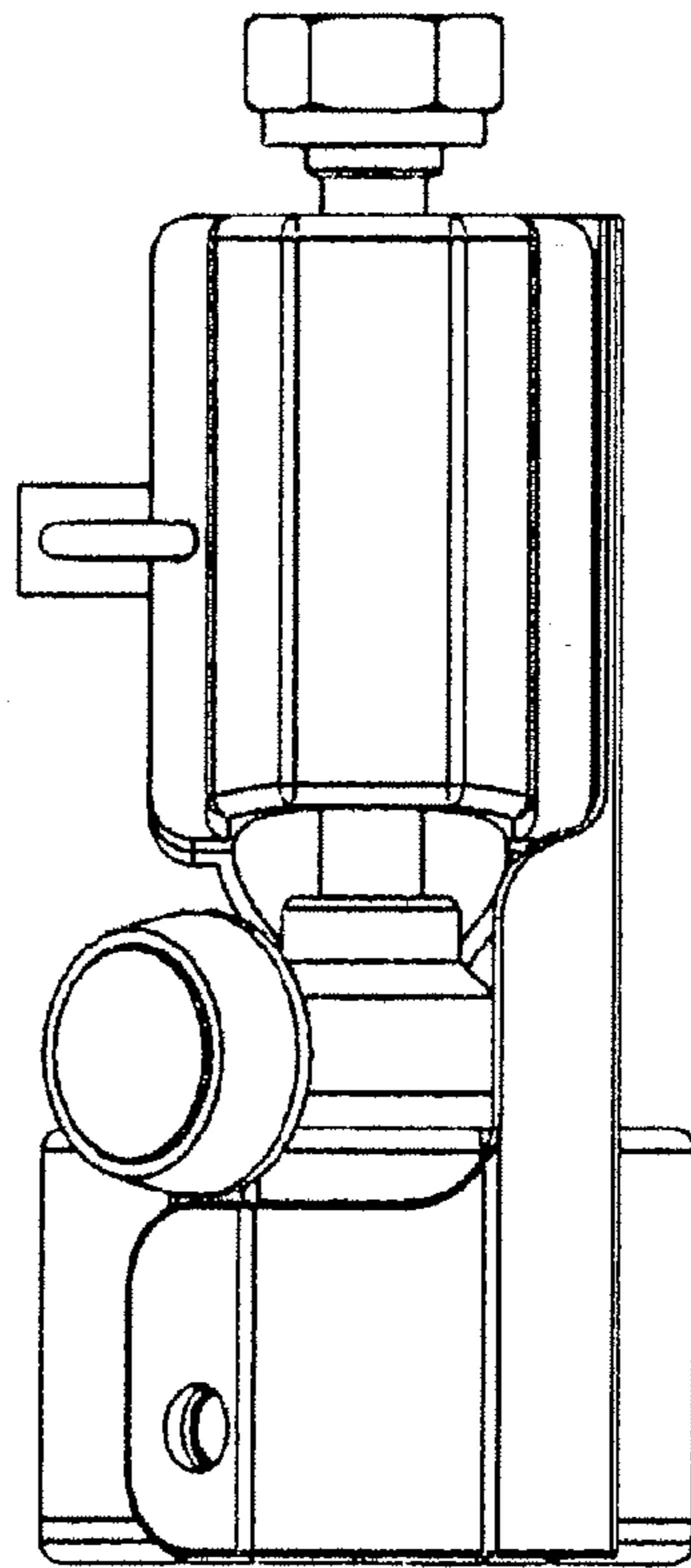


FIG. 5

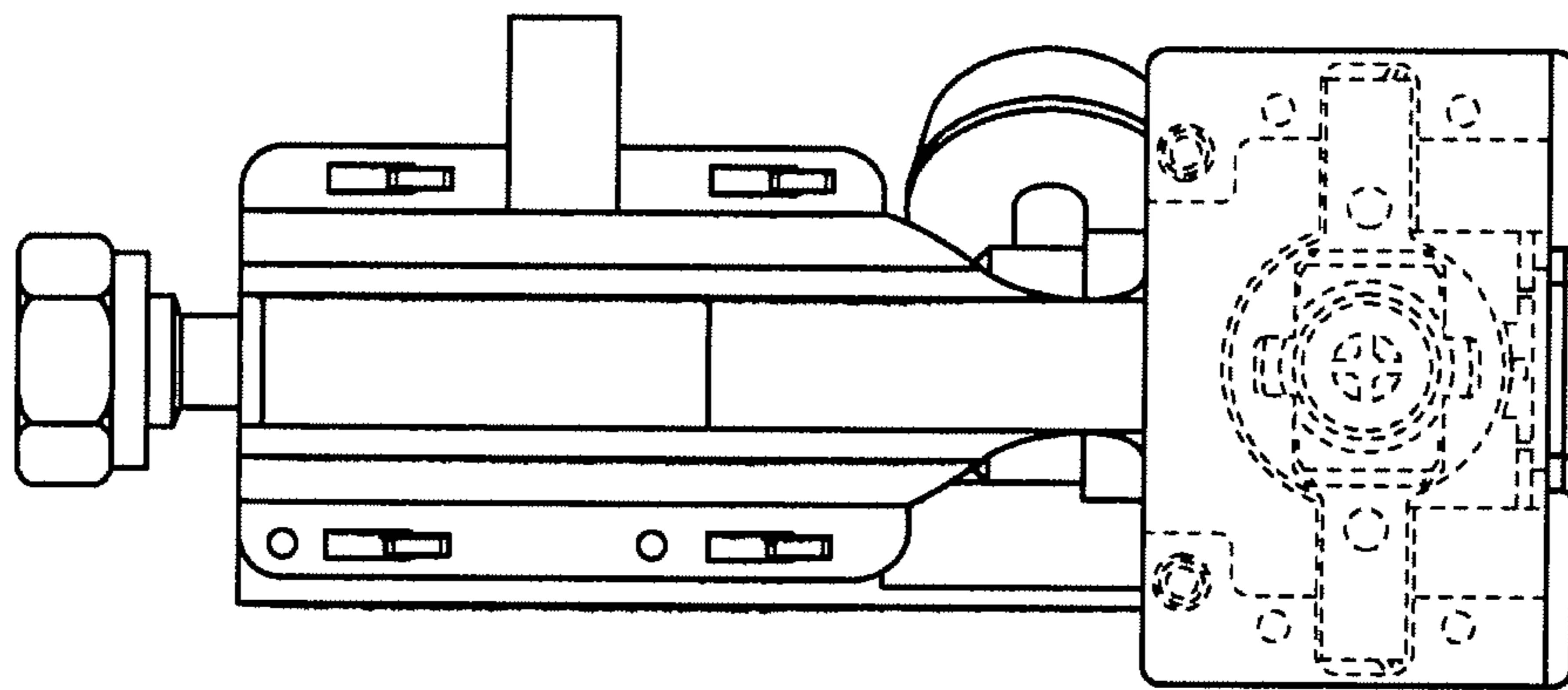


FIG. 6

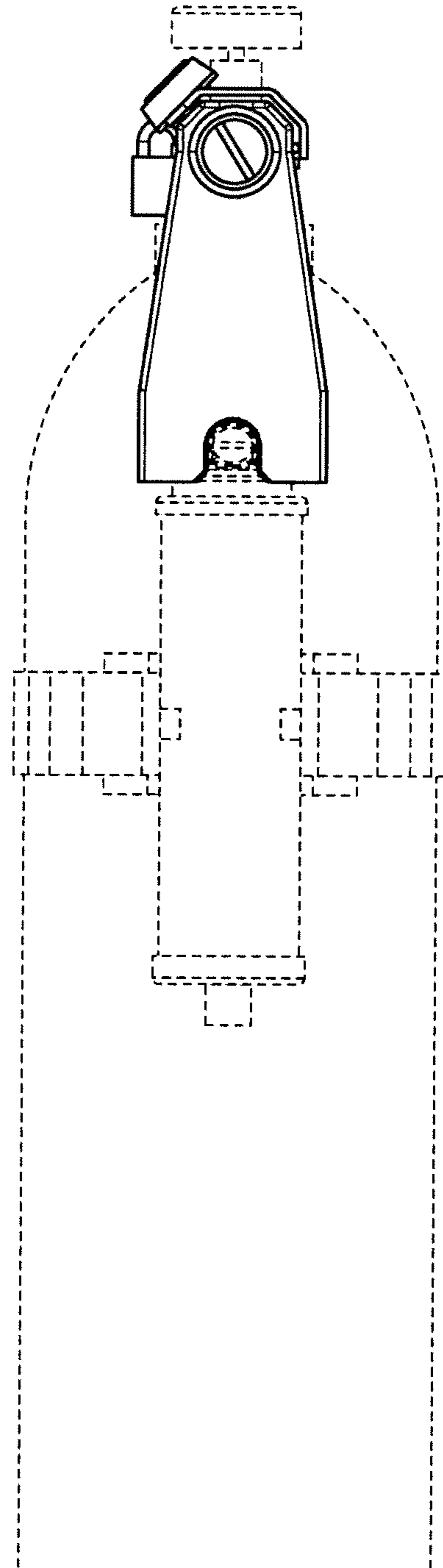


FIG. 7

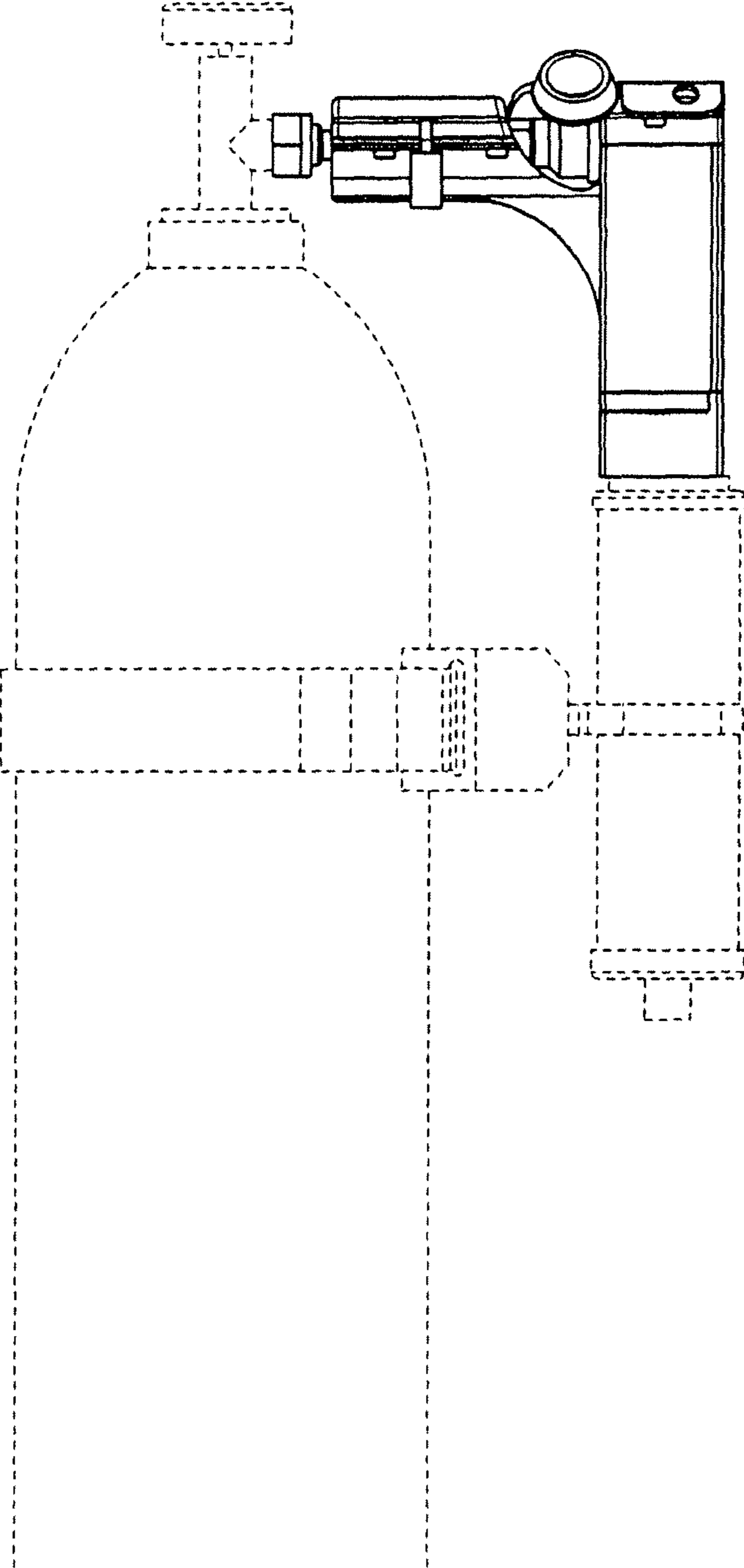


FIG. 8