



US00D688346S

(12) **United States Design Patent**  
**Jones**

(10) **Patent No.:** **US D688,346 S**

(45) **Date of Patent:** **\*\* Aug. 20, 2013**

- (54) **ARCHERY RELEASE**
- (75) Inventor: **Brian K. Jones**, Winchester, KY (US)
- (73) Assignee: **Scott Archery Manufacturing**, Clay City, KY (US)
- (\*\*) Term: **14 Years**

5,595,167 A	1/1997	Scott	
5,596,977 A	1/1997	Scott	
5,702,494 A *	12/1997	Tompkins et al.	55/498
5,765,536 A	6/1998	Scott	
5,779,904 A *	7/1998	Ruderman et al.	210/500.25
5,803,068 A	9/1998	Summers	
5,842,916 A *	12/1998	Gerrity et al.	453/57
5,850,825 A *	12/1998	Scott	124/35.2

(Continued)

- (21) Appl. No.: **29/399,373**
  - (22) Filed: **Aug. 12, 2011**
  - (51) **LOC (9) Cl.** ..... **22-01**
  - (52) **U.S. Cl.**  
USPC ..... **D22/107**
  - (58) **Field of Classification Search**  
USPC ..... D22/107, 199; 124/23.1, 25.6, 86,  
124/88, 35.2, 44.5
- See application file for complete search history.

**OTHER PUBLICATIONS**

Various prior art releases (1) downloaded from <http://www.archeryhistory.com/releases/releasespics/pse.jpg> on Dec. 29, 2009.

(Continued)

*Primary Examiner* — Michael A Pratt  
(74) *Attorney, Agent, or Firm* — Peter J. Bilinski; Peter J. Mikesell; Hiscock & Barclay, LLP

(56) **References Cited**

**U.S. PATENT DOCUMENTS**

228,302 A	6/1880	Beard	
229,089 A	6/1880	Burnham	
3,921,668 A *	11/1975	Self	137/625.3
4,036,204 A	7/1977	Scott	
4,160,437 A	7/1979	Fletcher	
4,567,875 A	2/1986	Fletcher	
4,569,744 A *	2/1986	Walker	204/284
4,574,767 A	3/1986	Gazzara	
4,584,747 A *	4/1986	Katterbach et al.	38/63
4,600,622 A *	7/1986	Carlson et al.	428/135
4,607,947 A *	8/1986	Ensing et al.	399/308
4,620,523 A	11/1986	Peck	
4,674,469 A	6/1987	Peck	
4,881,516 A	11/1989	Peck	
5,056,586 A *	10/1991	Bemisderfer	165/109.1
5,205,268 A	4/1993	Savage	
5,215,504 A *	6/1993	Wong et al.	474/237
5,424,813 A *	6/1995	Schlueter et al.	399/239
5,448,983 A	9/1995	Scott	
5,460,721 A *	10/1995	Goodwin	210/494.1
5,554,329 A *	9/1996	Monkelbaan et al.	261/98

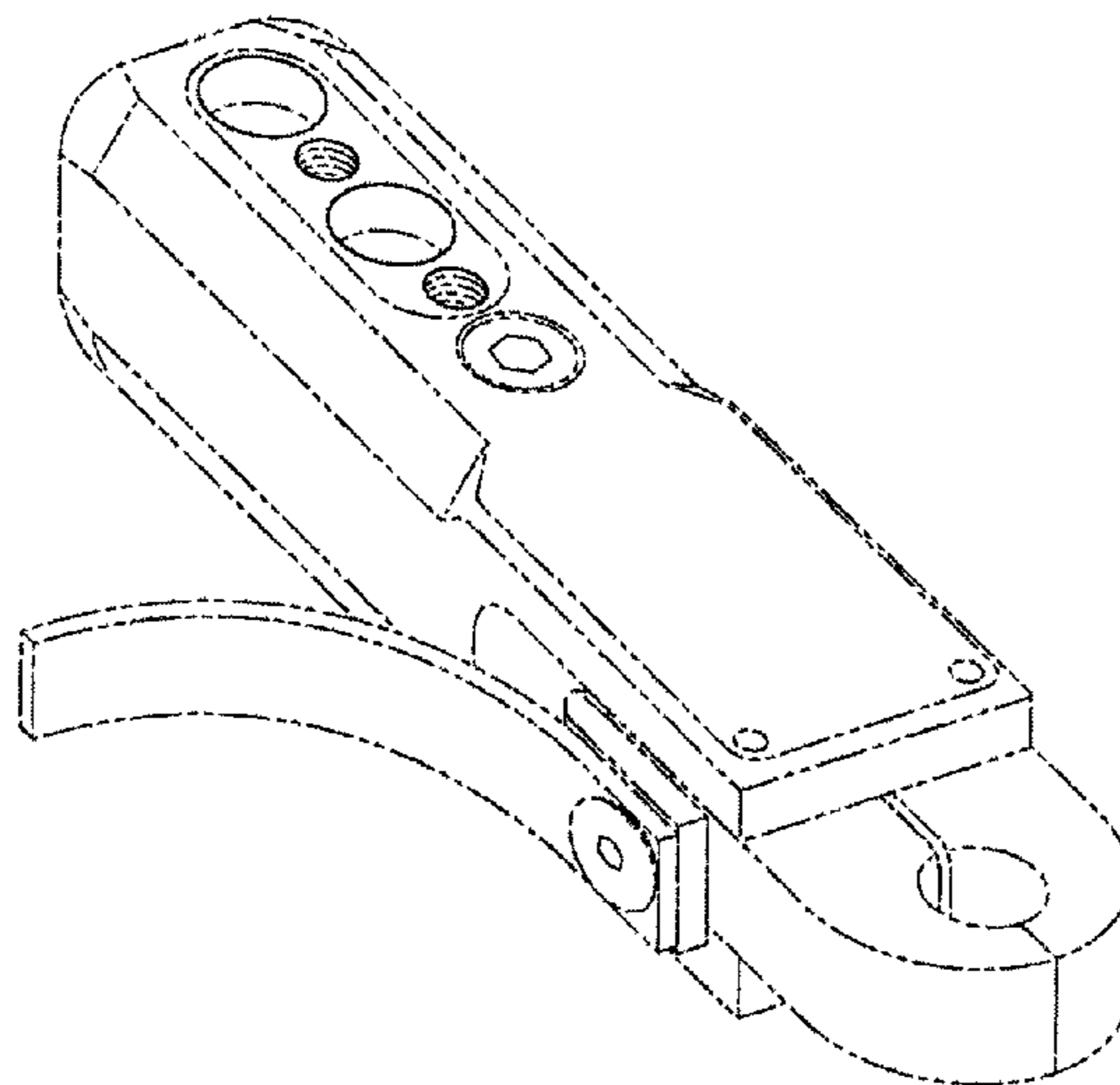
**CLAIM**

(57) The ornamental design for archery release, as shown and described.

**DESCRIPTION**

FIG. 1 is a perspective view of the archery release embodying the new design;  
FIG. 2 is a top view thereof;  
FIG. 3 is a bottom view thereof;  
FIG. 4 is a left side view thereof; and,  
FIG. 5 is a right side view thereof.  
FIGS. 1-5 show features of an archery release in phantom lines. These features are shown for environmental purposes and do not form any part of the claimed design. Further, the phantom lines immediately adjacent the solid-line portions of the design form the boundary of the design, within the phantom lines forming no part of the claimed design. The claimed design comprises the solid-line portions including the circles and hexagons as shown and described.

**1 Claim, 2 Drawing Sheets**



(56)

**References Cited**

U.S. PATENT DOCUMENTS

5,934,679 A \* 8/1999 Strain et al. .... 273/395  
 6,032,661 A 3/2000 Goff et al.  
 6,508,005 B2 \* 1/2003 Springer ..... 33/265  
 6,567,593 B1 \* 5/2003 Sugawara ..... 385/115  
 6,631,709 B2 10/2003 Carter et al.  
 6,659,378 B2 \* 12/2003 Di Anna ..... 241/73  
 6,895,951 B2 5/2005 Summers et al.  
 D558,915 S \* 1/2008 Kakuno et al. .... D26/138  
 7,581,536 B2 \* 9/2009 Porter ..... 124/35.2  
 7,603,784 B2 \* 10/2009 Erhard ..... 33/265  
 8,082,910 B1 \* 12/2011 Yehle ..... 124/25.6  
 8,146,578 B2 \* 4/2012 Jones ..... 124/35.2  
 8,161,956 B2 \* 4/2012 Bednar ..... 124/25  
 2005/0183272 A1 \* 8/2005 Meadows ..... 33/265  
 2007/0277471 A1 \* 12/2007 Gibson ..... 52/596  
 2008/0282560 A1 \* 11/2008 Bradley et al. .... 33/265

2009/0159395 A1 \* 6/2009 Gerrity et al. .... 194/347  
 2009/0185868 A1 \* 7/2009 Masters et al. .... 405/216  
 2010/0071909 A1 \* 3/2010 Winn ..... 166/381  
 2010/0108047 A1 5/2010 Jones  
 2011/0144639 A1 \* 6/2011 Govari ..... 606/41  
 2011/0162669 A1 \* 7/2011 Kurek et al. .... 132/200

OTHER PUBLICATIONS

Various prior art releases (2) downloaded from <http://www.archeryhistory.com/releases/releasespics/release4.jpg> on Dec. 29, 2009.

Prior art releases (3) downloaded from <http://www.archeryhistory.com/releases> on Jul. 21, 2011.

Prior art releases (4) downloaded from <http://www.archeryhistory.com/releases> on Jul. 21, 2011.

Longhorn Hunter (Jan. 2010).

\* cited by examiner

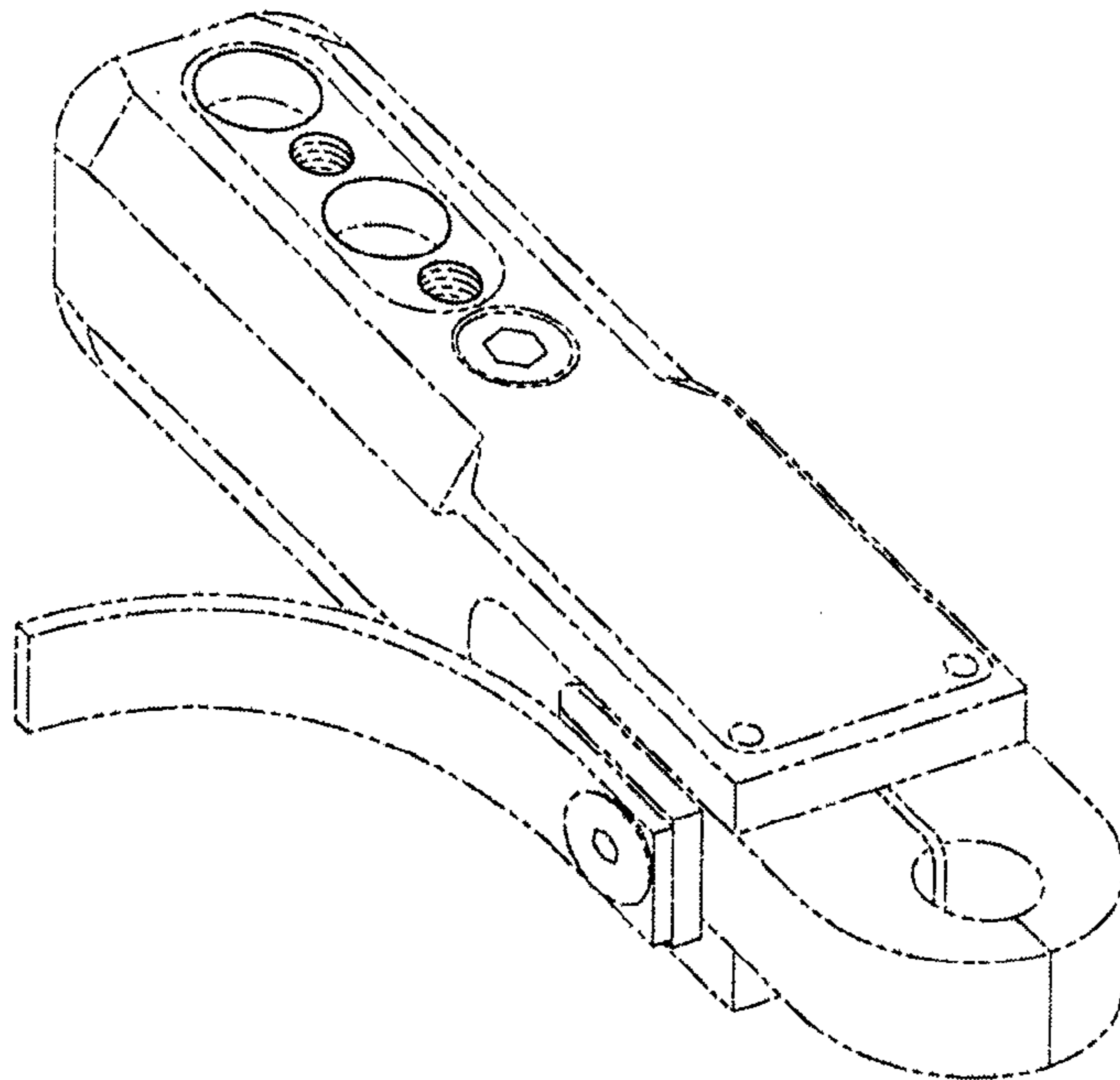


Fig. 1

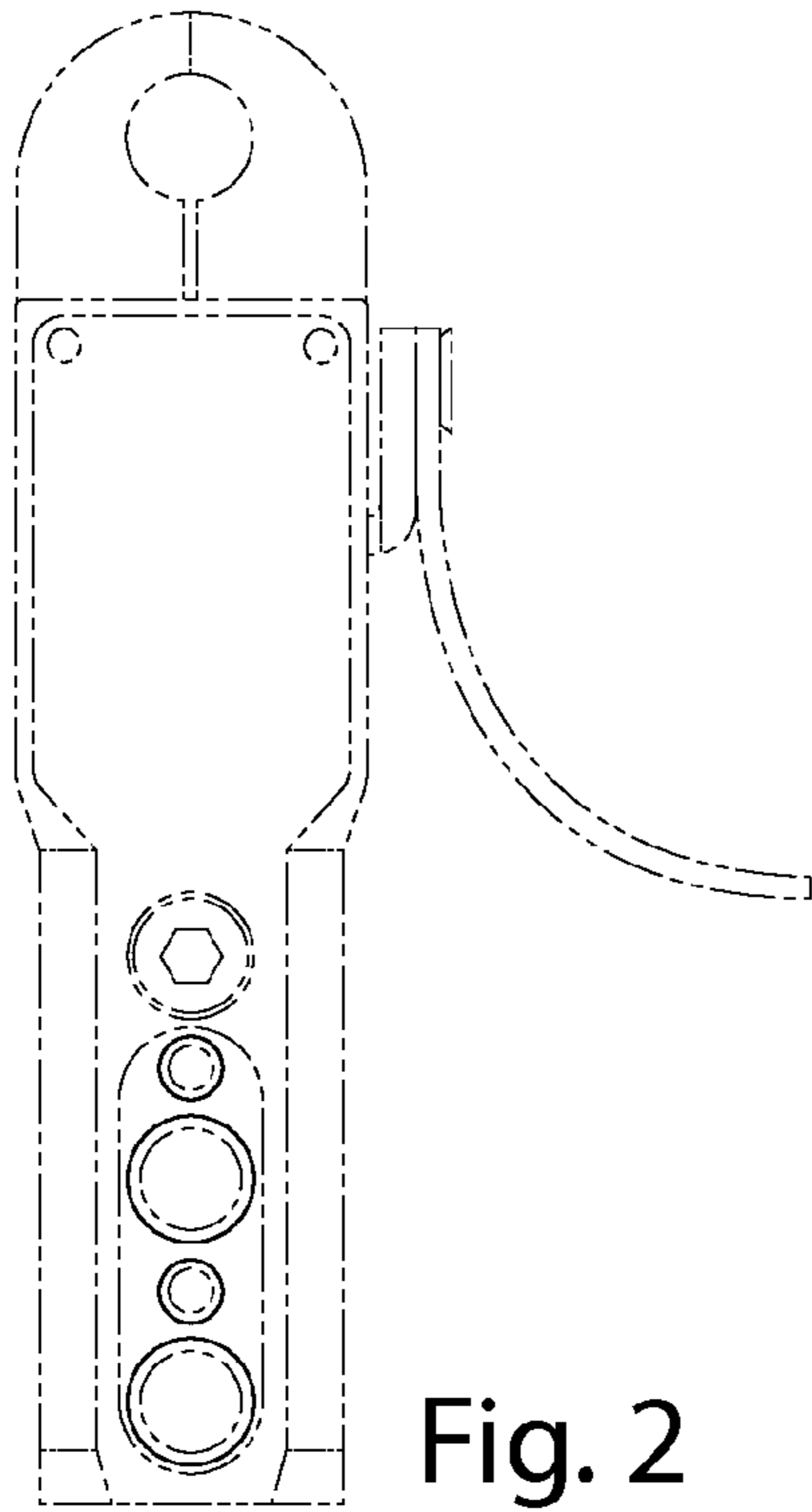


Fig. 2

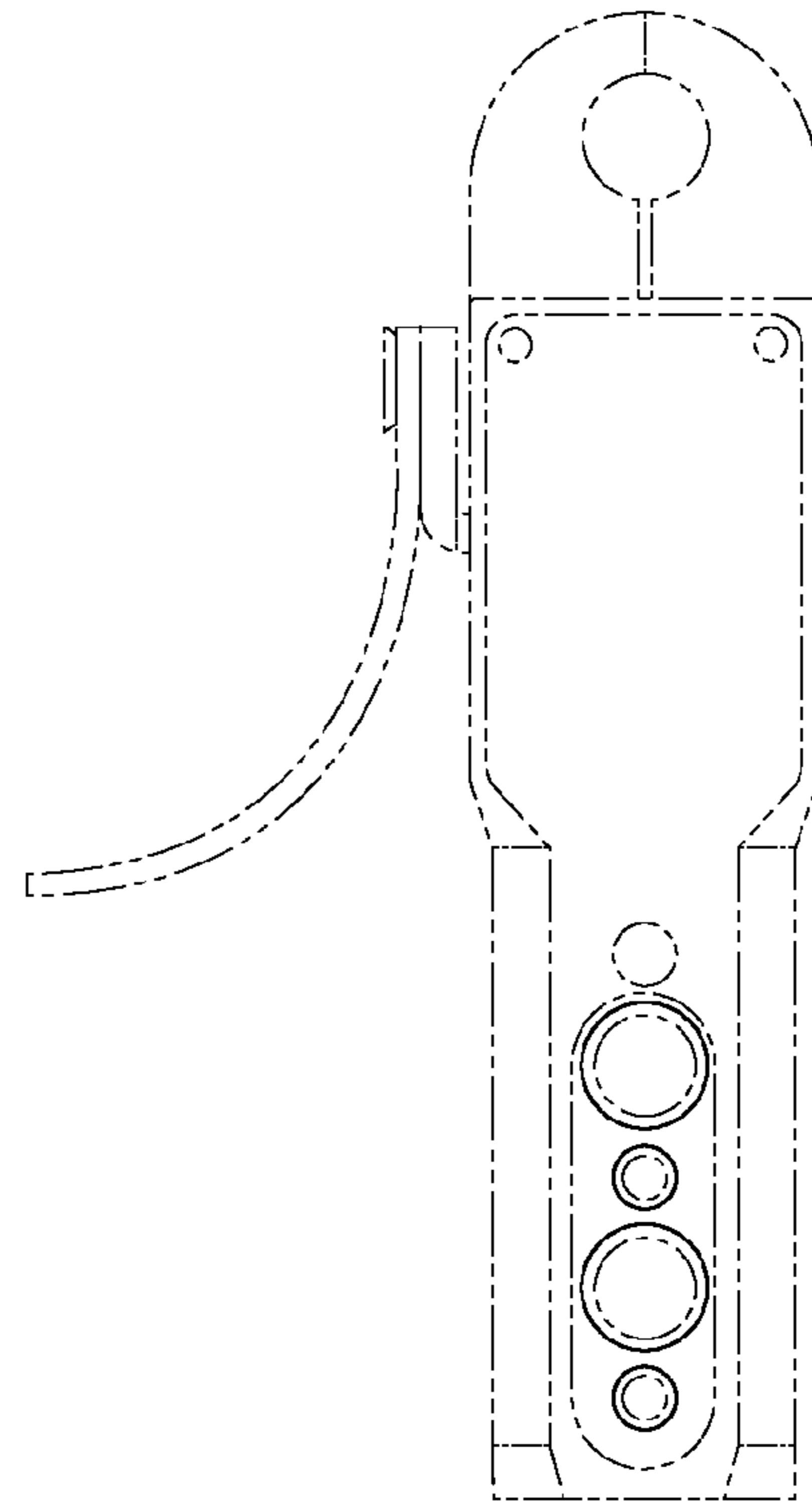


Fig. 3

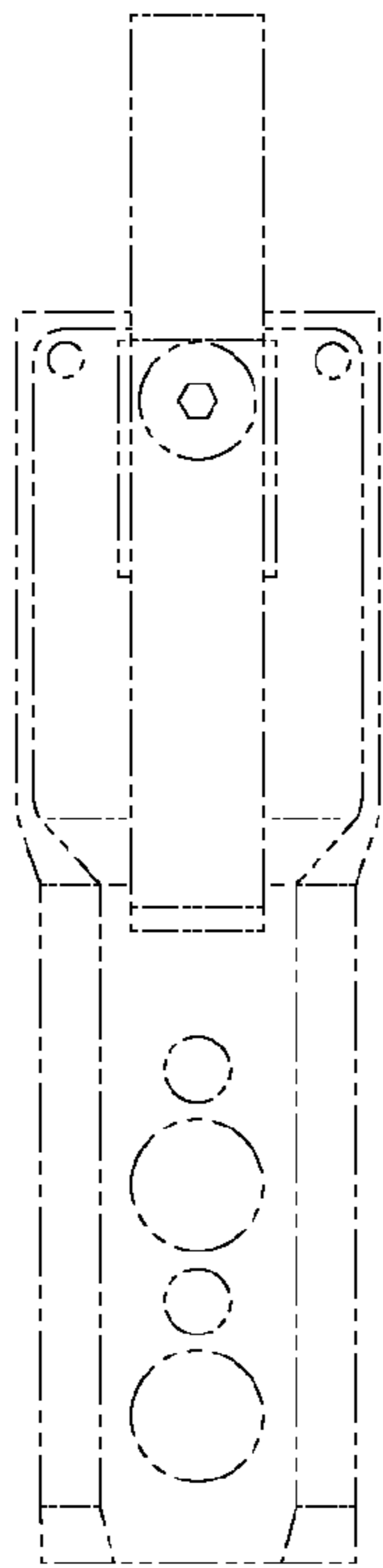


Fig. 4

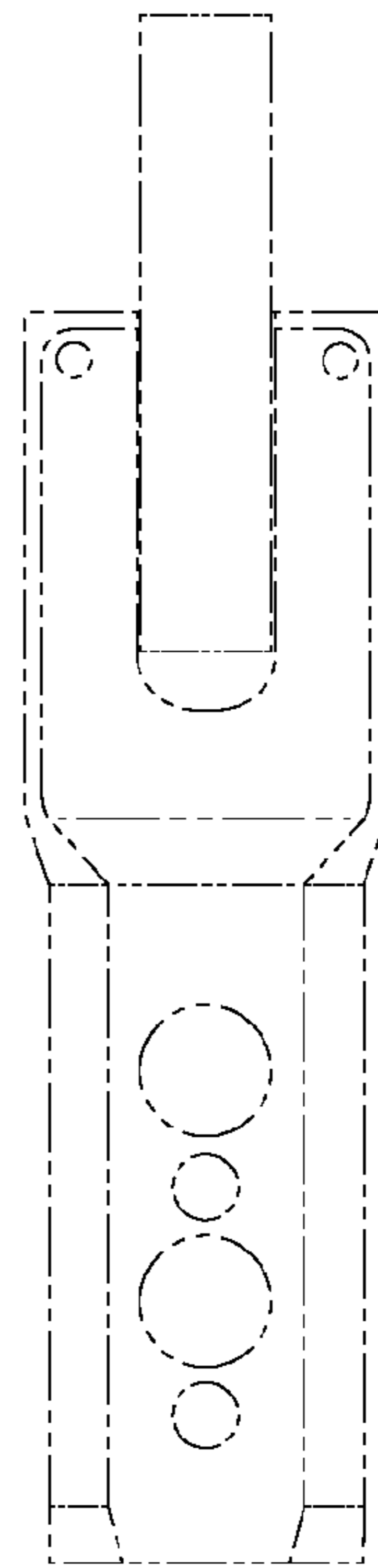


Fig. 5