



US00D688341S

(12) **United States Design Patent**  
**Rollinson**

(10) **Patent No.:** **US D688,341 S**

(45) **Date of Patent:** **\*\* Aug. 20, 2013**

(54) **PUTTER HEAD**

(75) Inventor: **Augustin W. Rollinson**, Carlsbad, CA  
(US)

(73) Assignee: **Callaway Golf Company**, Carlsbad, CA  
(US)

(\*\*) Term: **14 Years**

(21) Appl. No.: **29/430,244**

(22) Filed: **Aug. 23, 2012**

(51) **LOC (9) Cl.** ..... **21-02**

(52) **U.S. Cl.**  
USPC ..... **D21/746**

(58) **Field of Classification Search**  
USPC ..... D21/735-746, 759; 473/324-331,  
473/340-341, 251-256  
See application file for complete search history.

(56) **References Cited**

U.S. PATENT DOCUMENTS

4,741,535	A *	5/1988	Leonhardt	.....	473/252
D323,867	S *	2/1992	Rizzotto	.....	D21/740
5,997,409	A *	12/1999	Mattson	.....	473/244
D421,471	S *	3/2000	Moldovan	.....	D21/744
D436,638	S *	1/2001	Carrier	.....	D21/744
D532,844	S *	11/2006	Rollinson	.....	D21/736
D532,845	S *	11/2006	Rollinson	.....	D21/736
D574,908	S *	8/2008	Hettinger et al.	.....	D21/743
D582,497	S *	12/2008	Rollinson	.....	D21/744
D590,461	S *	4/2009	Kim et al.	.....	D21/743
D591,807	S *	5/2009	Rollinson	.....	D21/744
D621,458	S *	8/2010	Serrano et al.	.....	D21/736

\* cited by examiner

*Primary Examiner* — Mitchell Siegel

(74) *Attorney, Agent, or Firm* — Rebecca Hanovice;  
Michael A. Catania; Sonia Lari

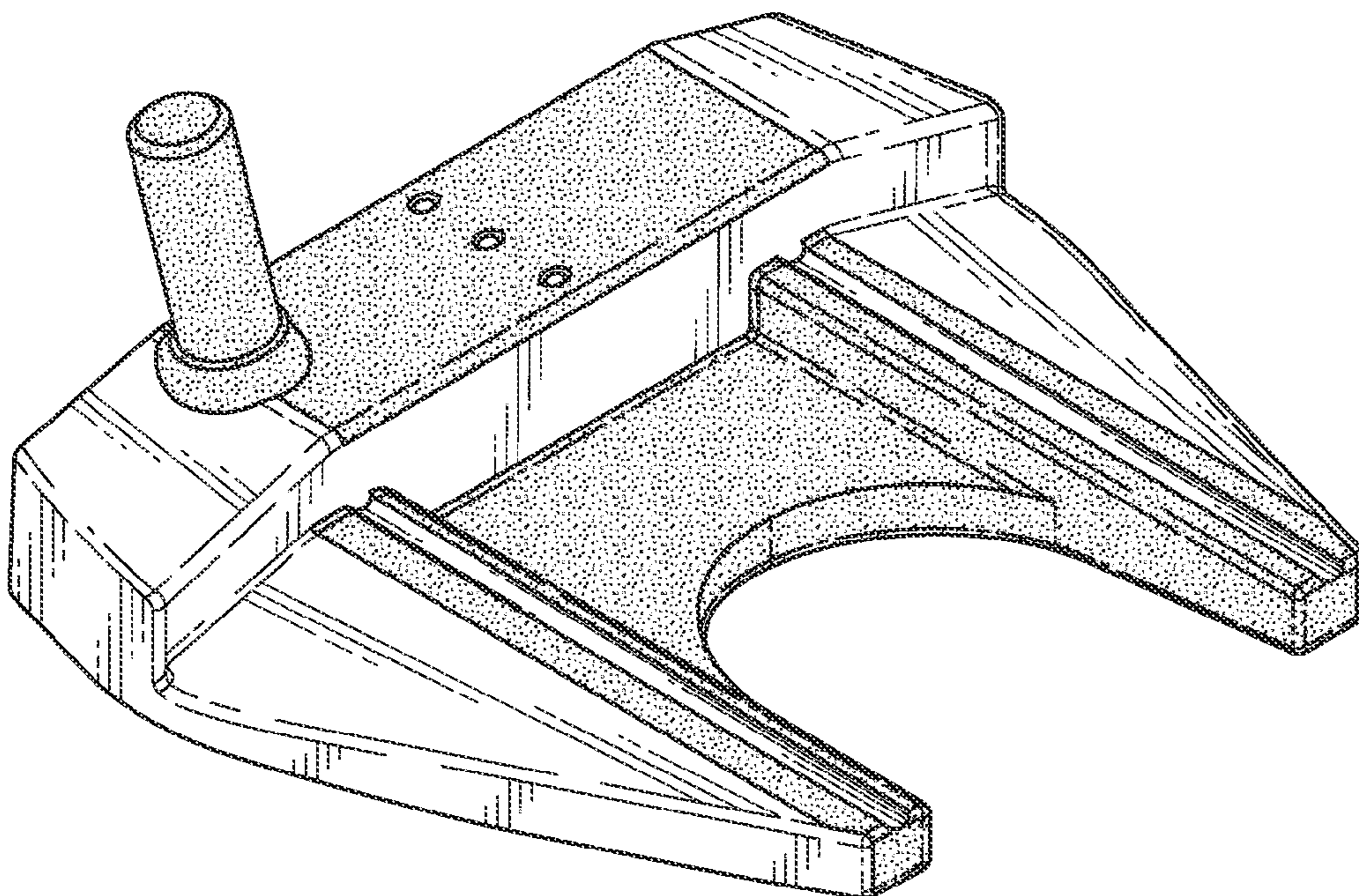
(57) **CLAIM**

The ornamental design for a putter head, as shown and described.

**DESCRIPTION**

FIG. 1 is a top perspective view of a first embodiment of a putter head as claimed herein;  
FIG. 2 is a rear view thereof;  
FIG. 3 is a front view thereof;  
FIG. 4 is a right side view thereof;  
FIG. 5 is a left side view thereof;  
FIG. 6 is a top plan view thereof;  
FIG. 7 is a bottom plan view thereof;  
FIG. 8 is a top perspective view of a second embodiment of a putter head as claimed herein;  
FIG. 9 is a rear view thereof;  
FIG. 10 is a front view thereof;  
FIG. 11 is a right side view thereof;  
FIG. 12 is a left side view thereof;  
FIG. 13 is a top plan view thereof; and,  
FIG. 14 is a bottom plan view thereof.  
The broken lines are included for the purpose of illustration and form no part of the claimed design.

**1 Claim, 8 Drawing Sheets**



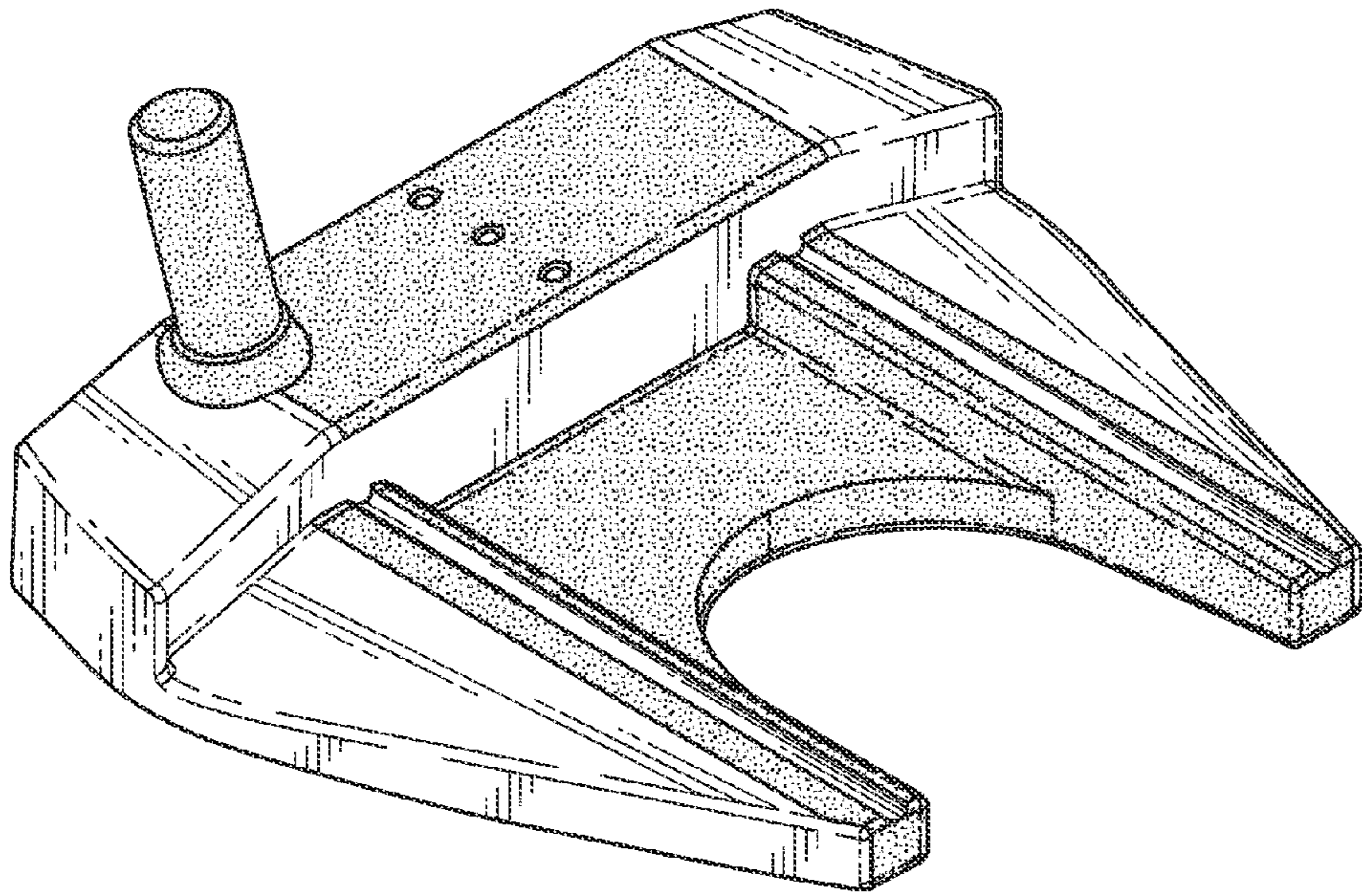


FIG. 1

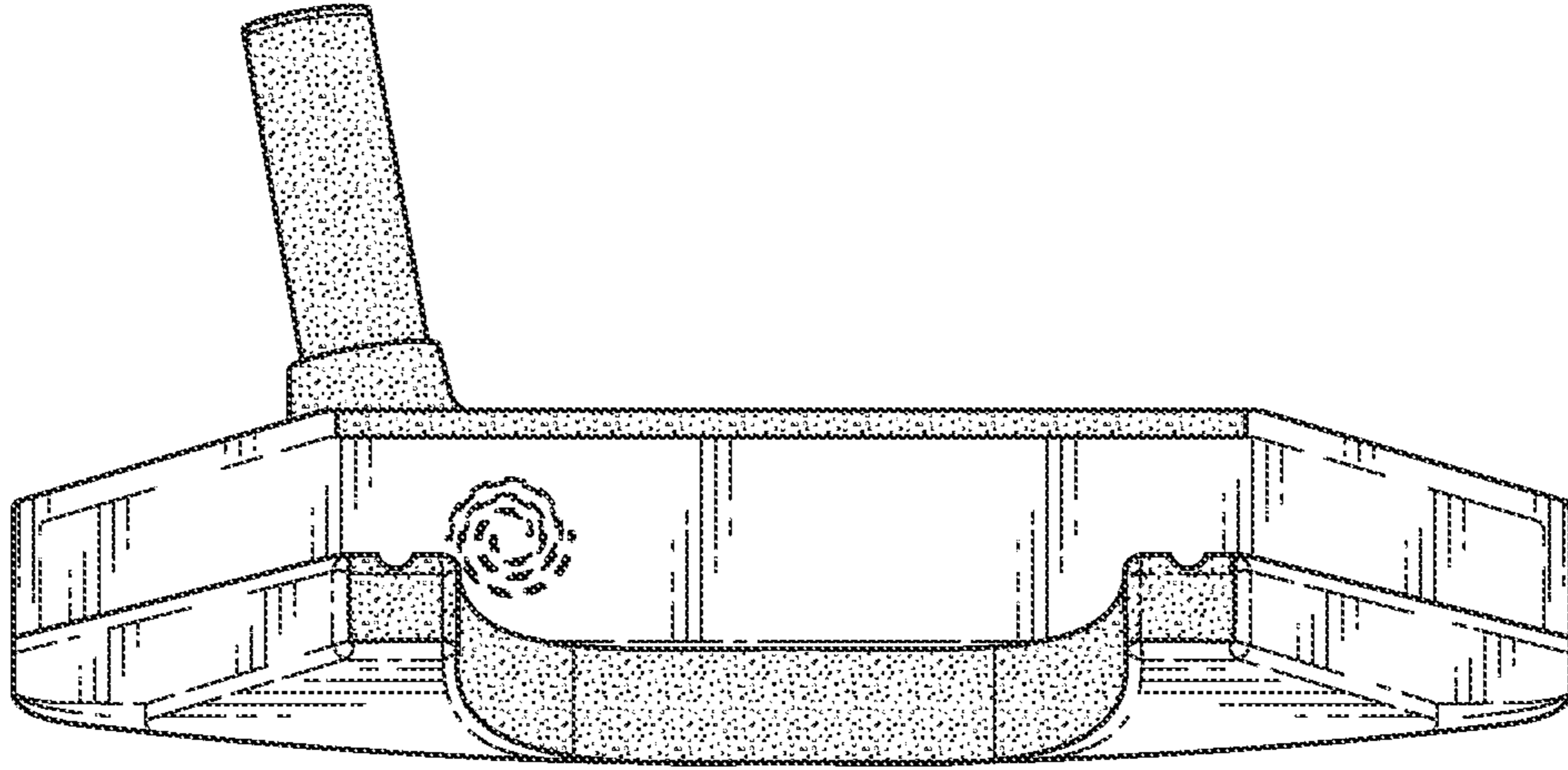


FIG. 2

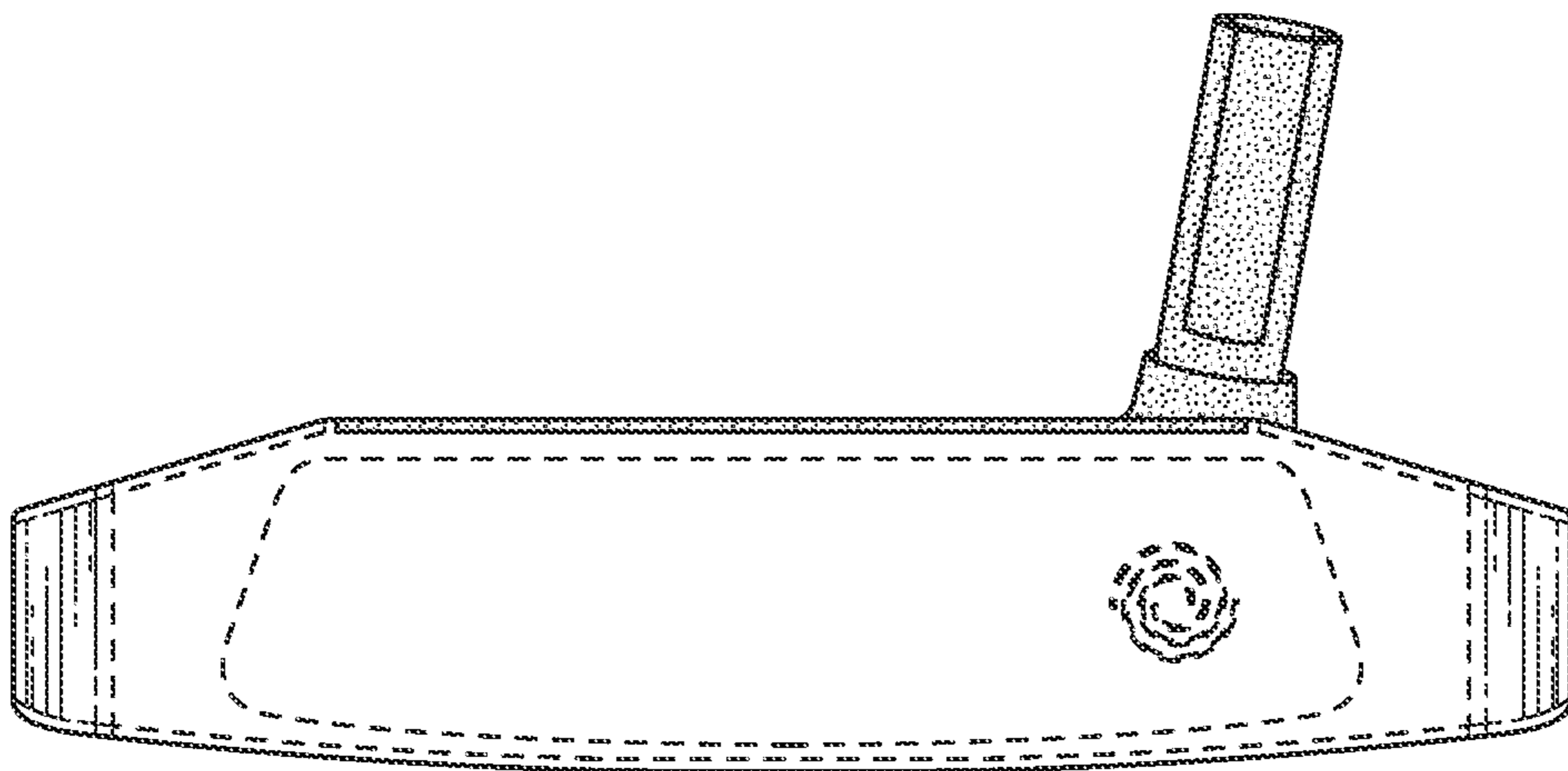


FIG. 3

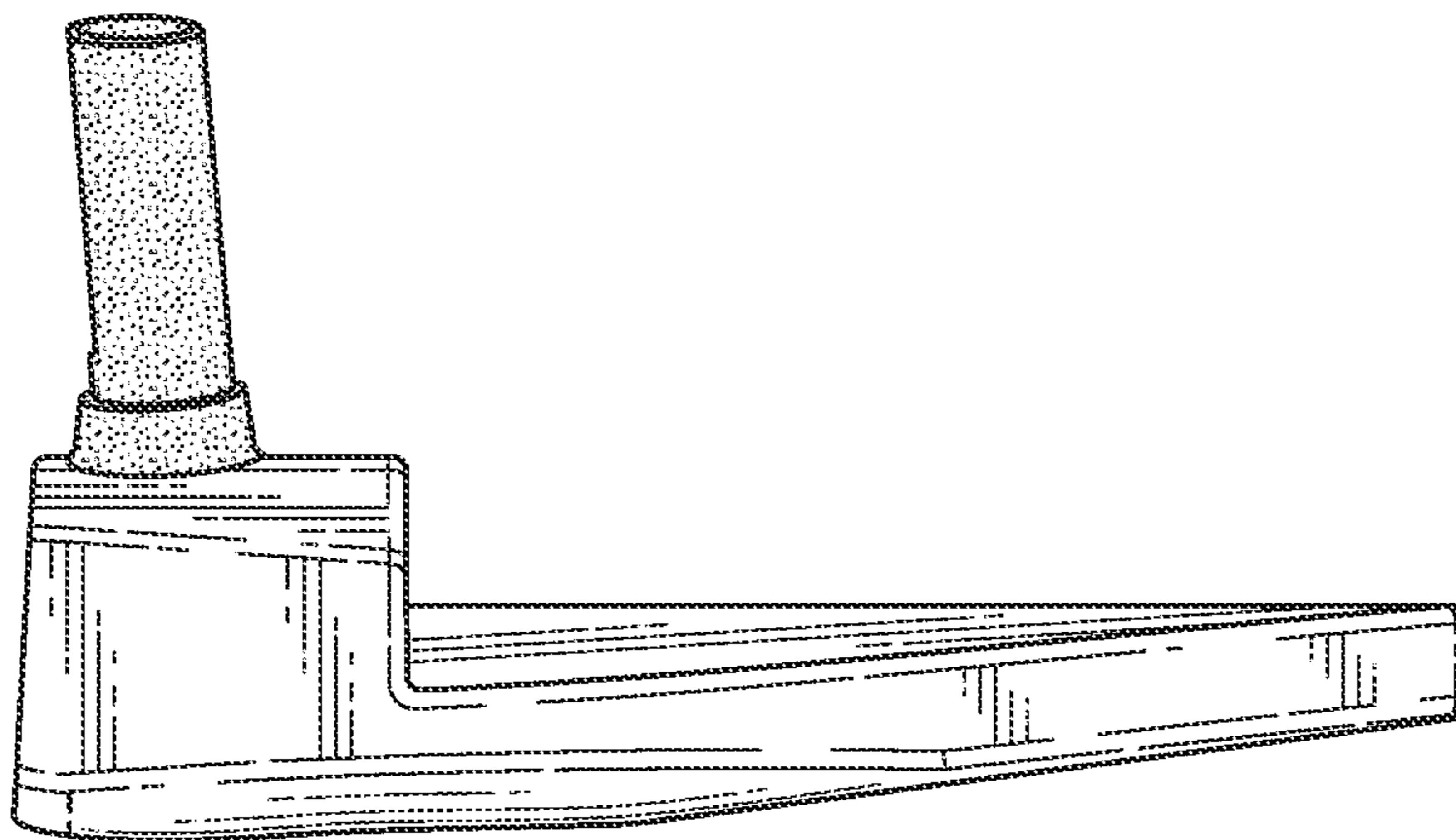


FIG. 4

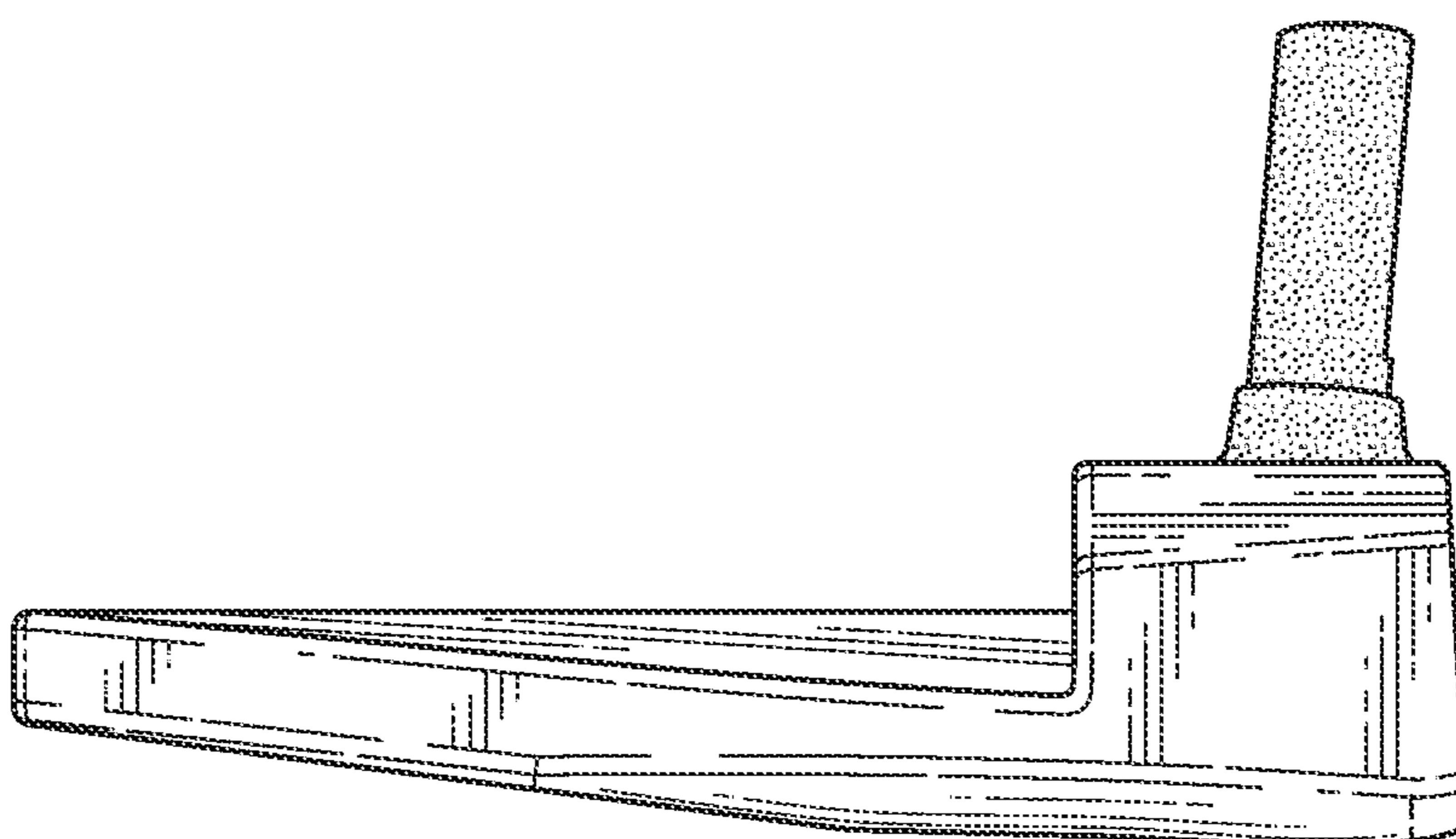


FIG. 5

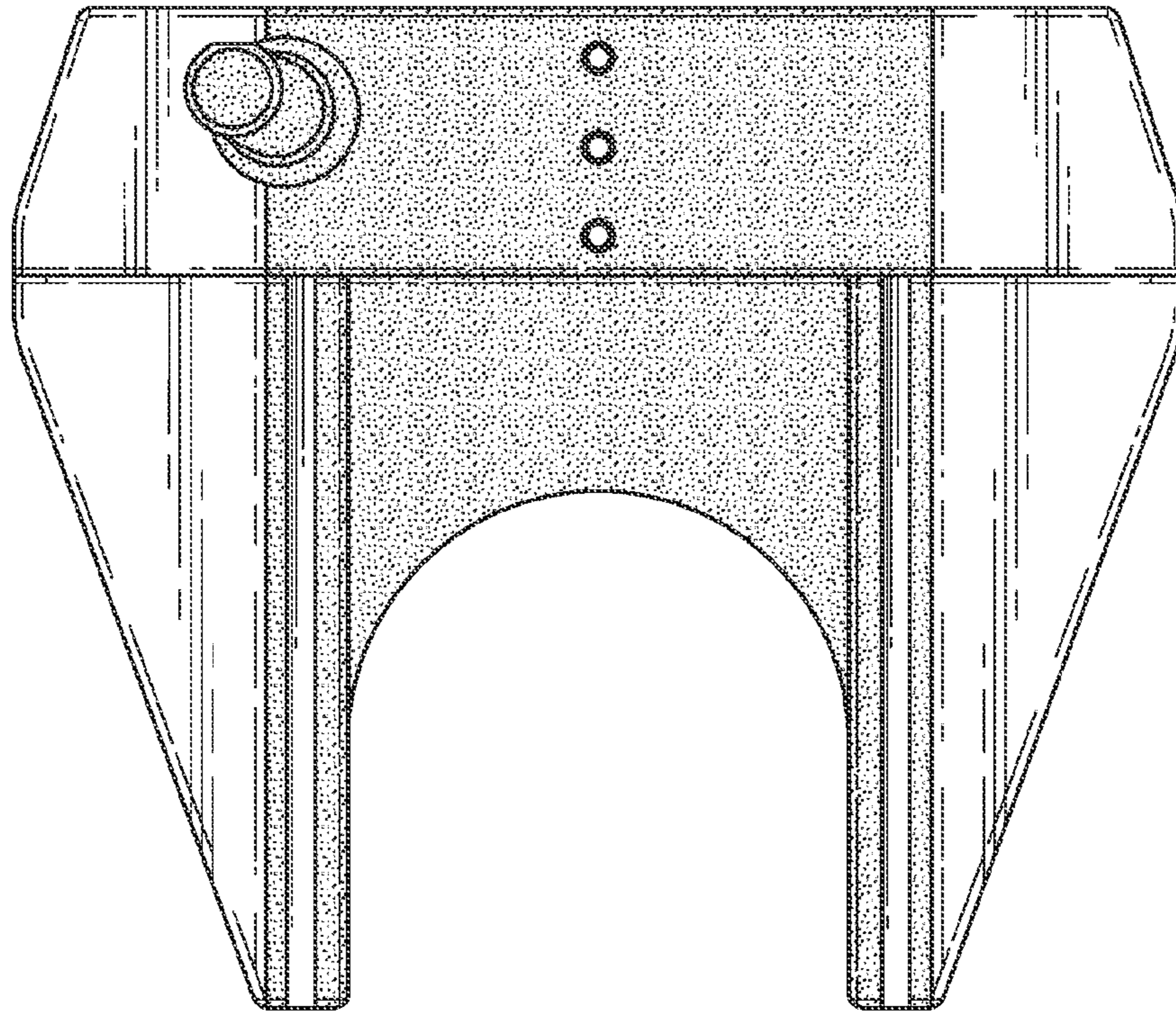


FIG. 6

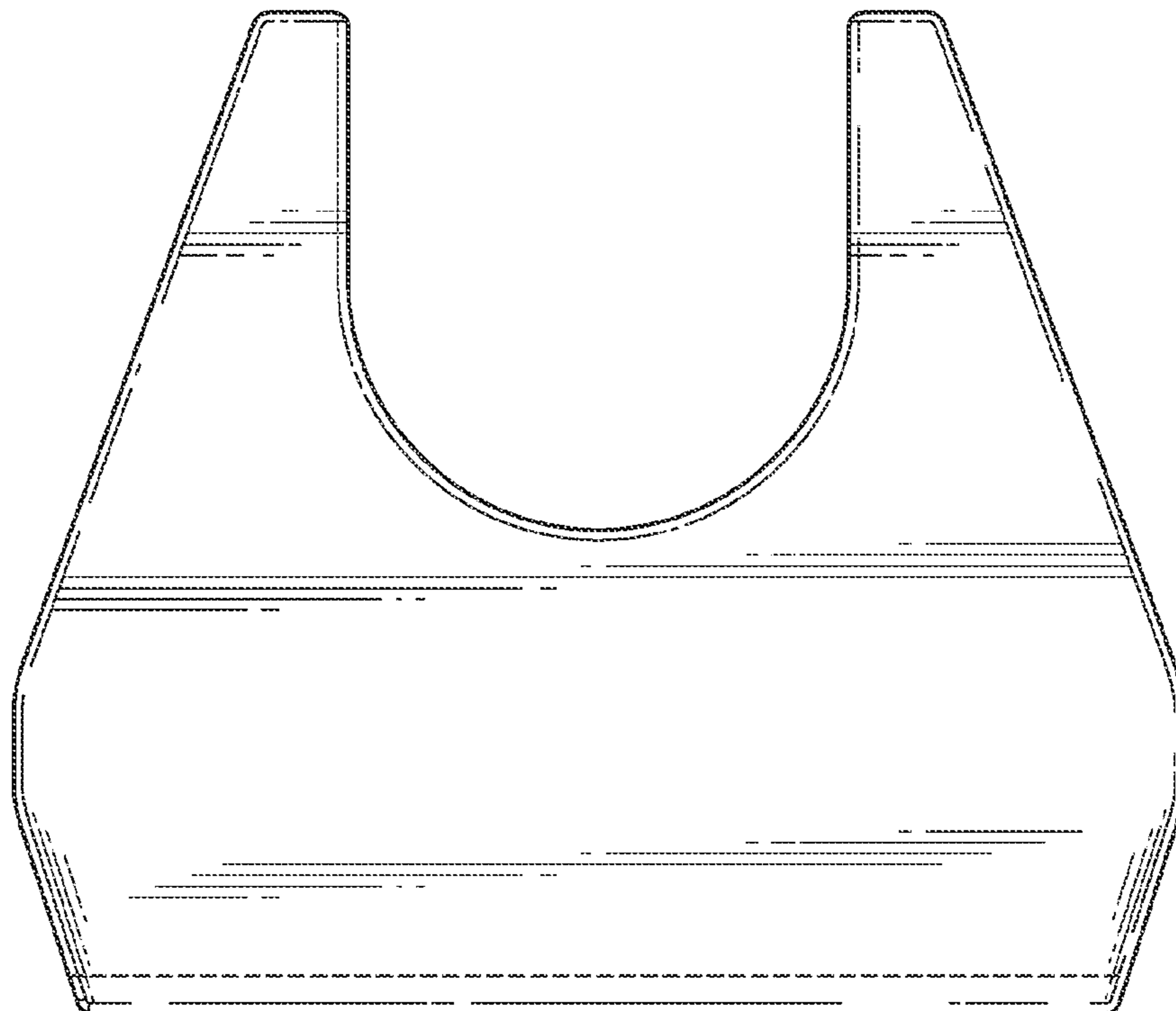


FIG. 7

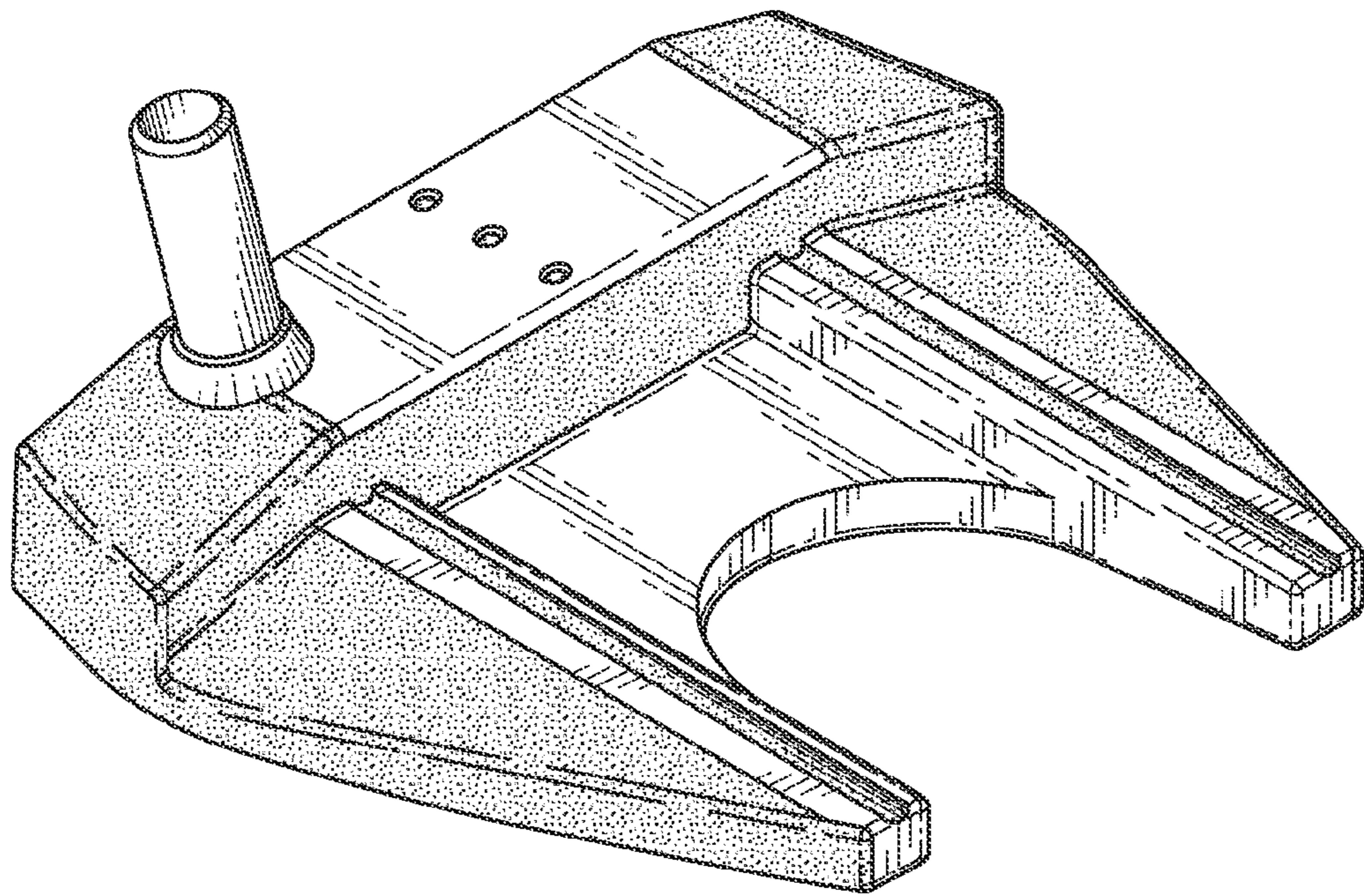


FIG. 8

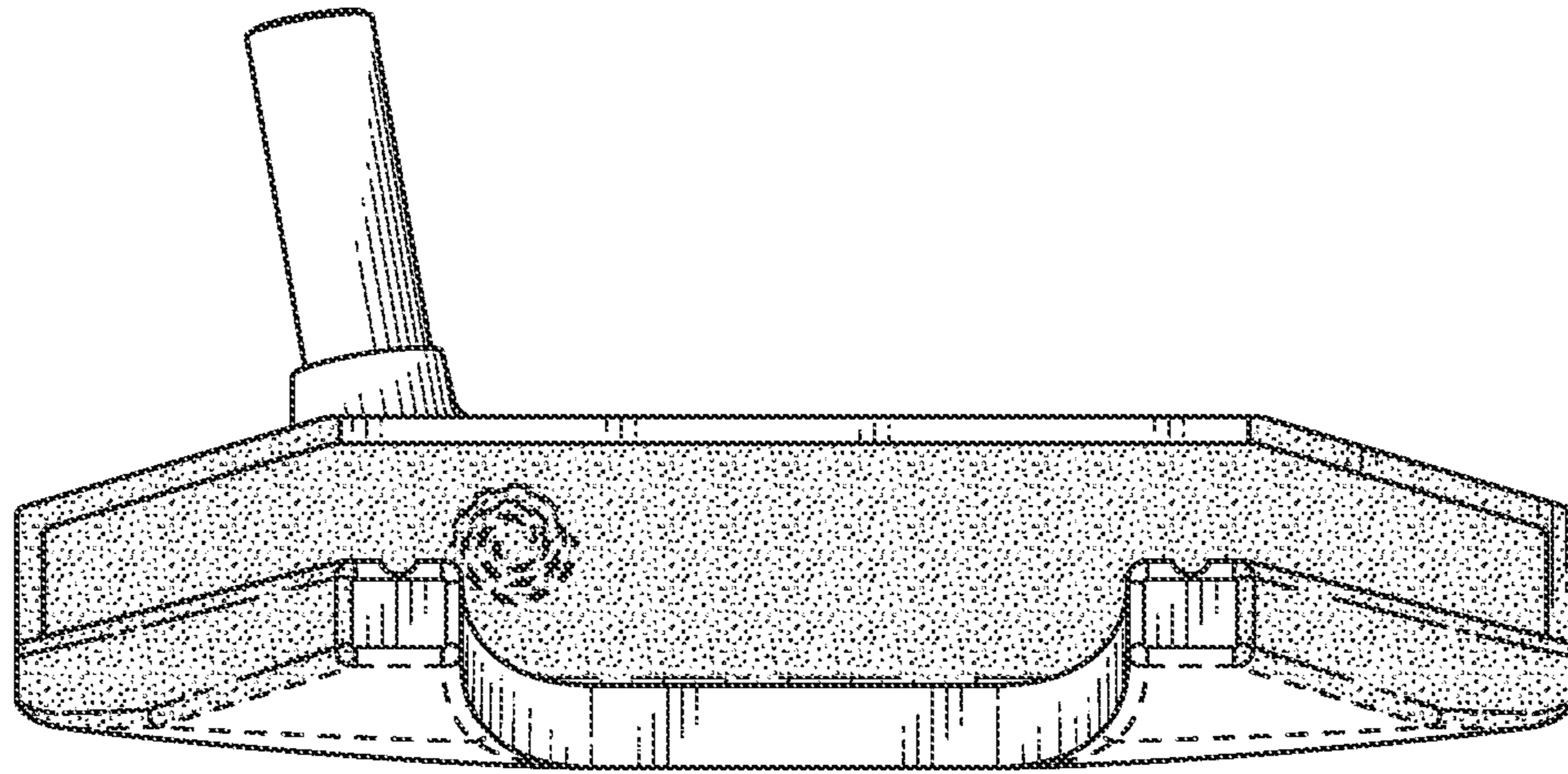


FIG. 9

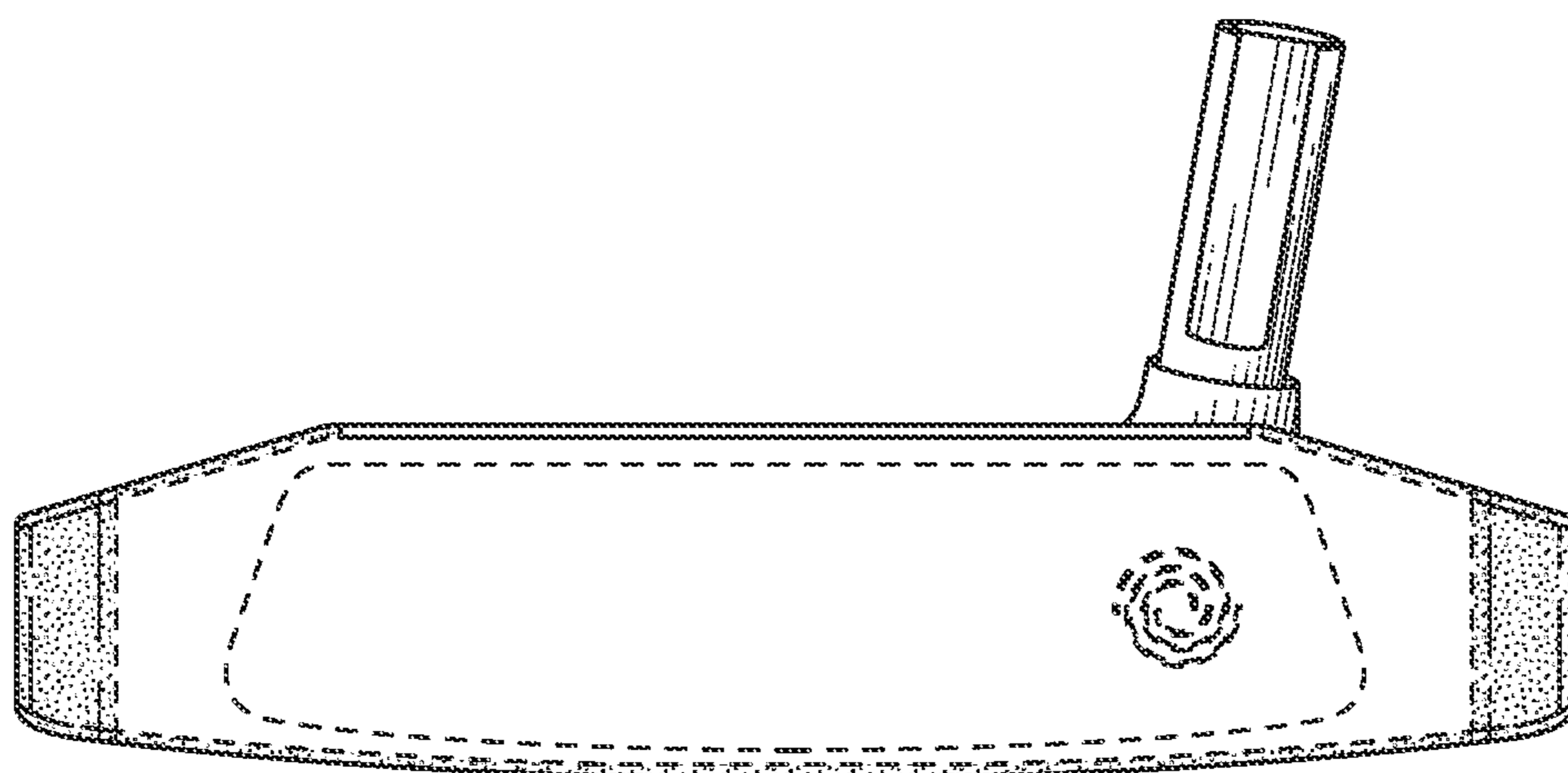


FIG. 10

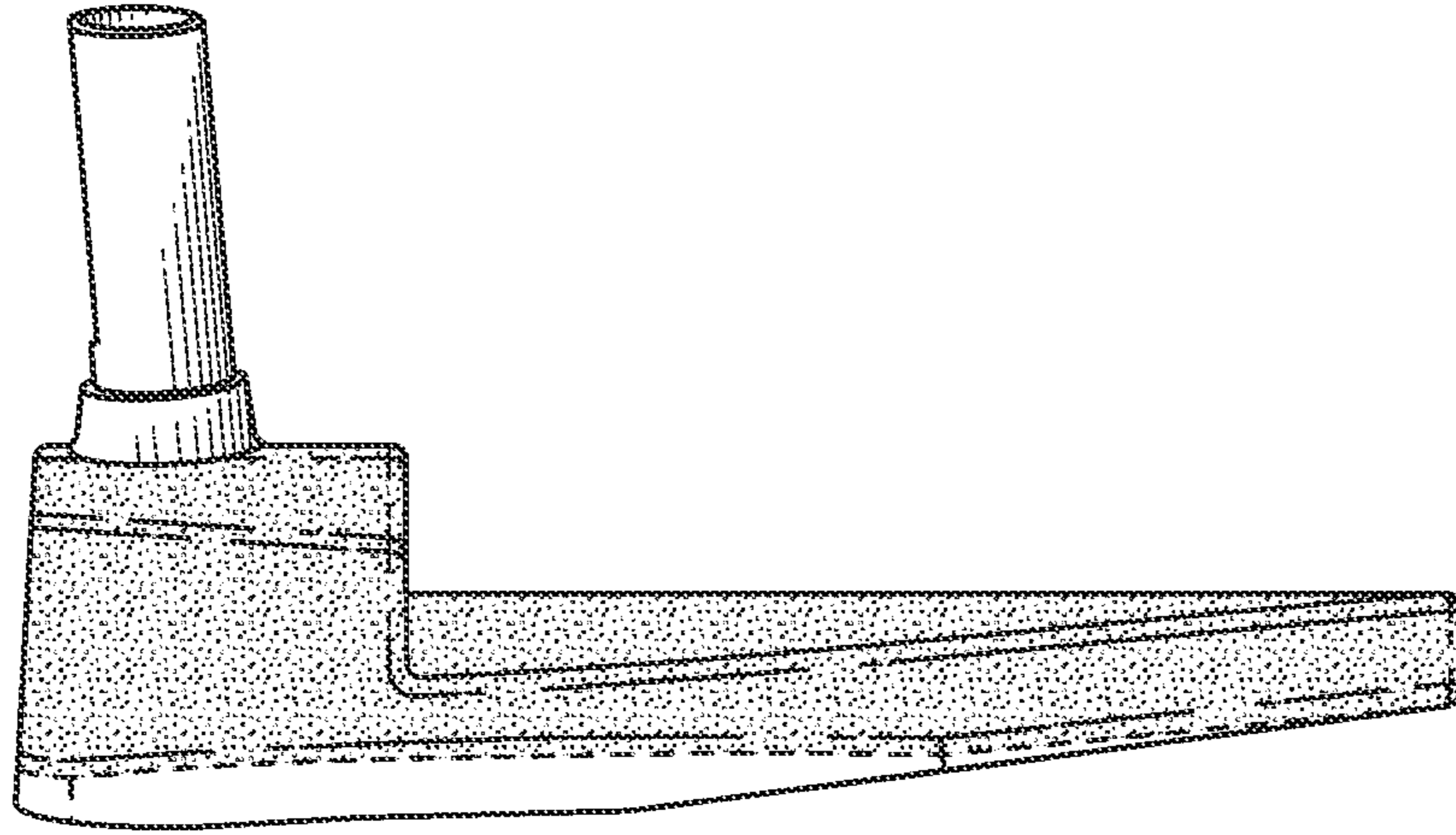


FIG. 11

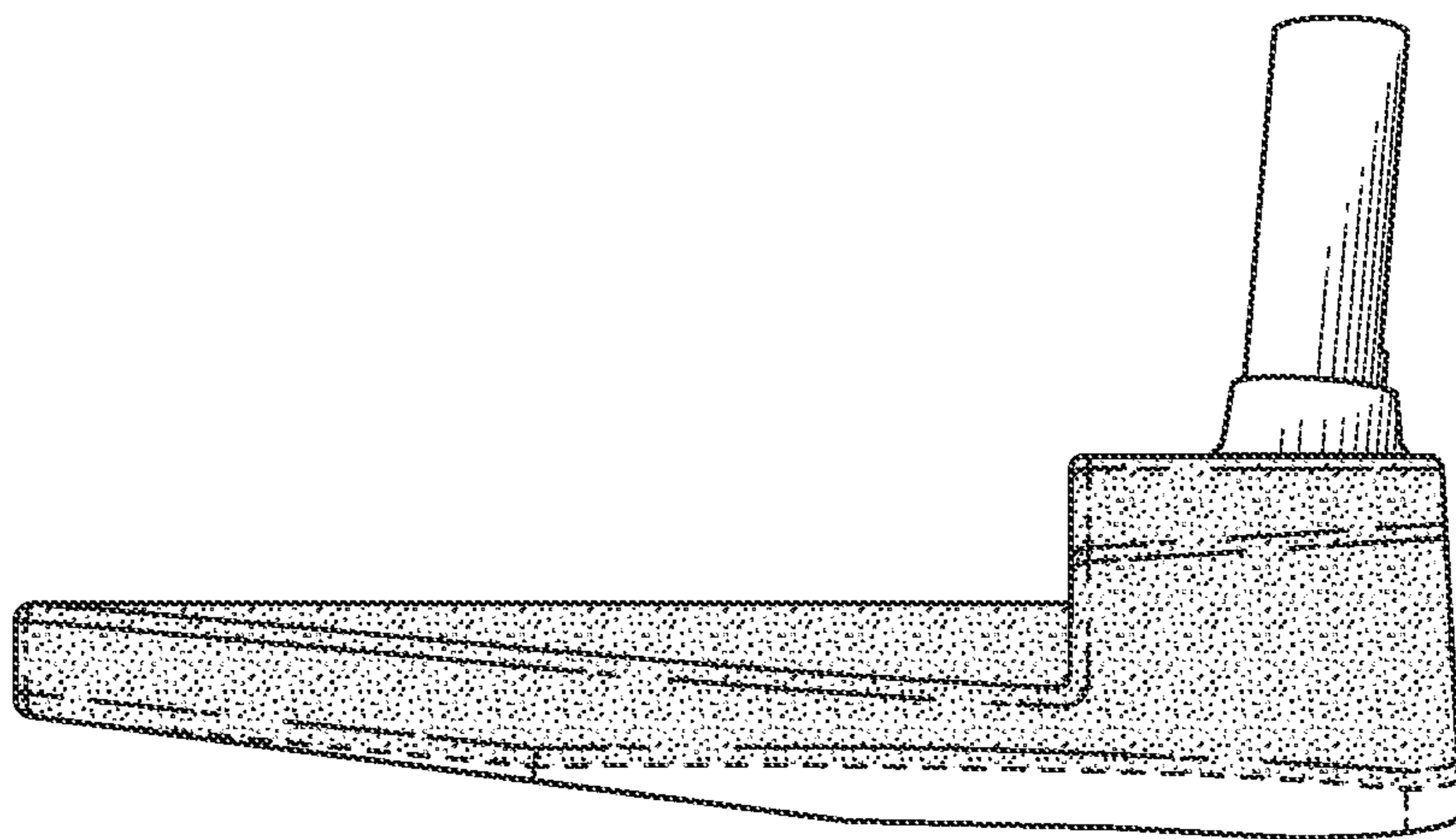


FIG. 12



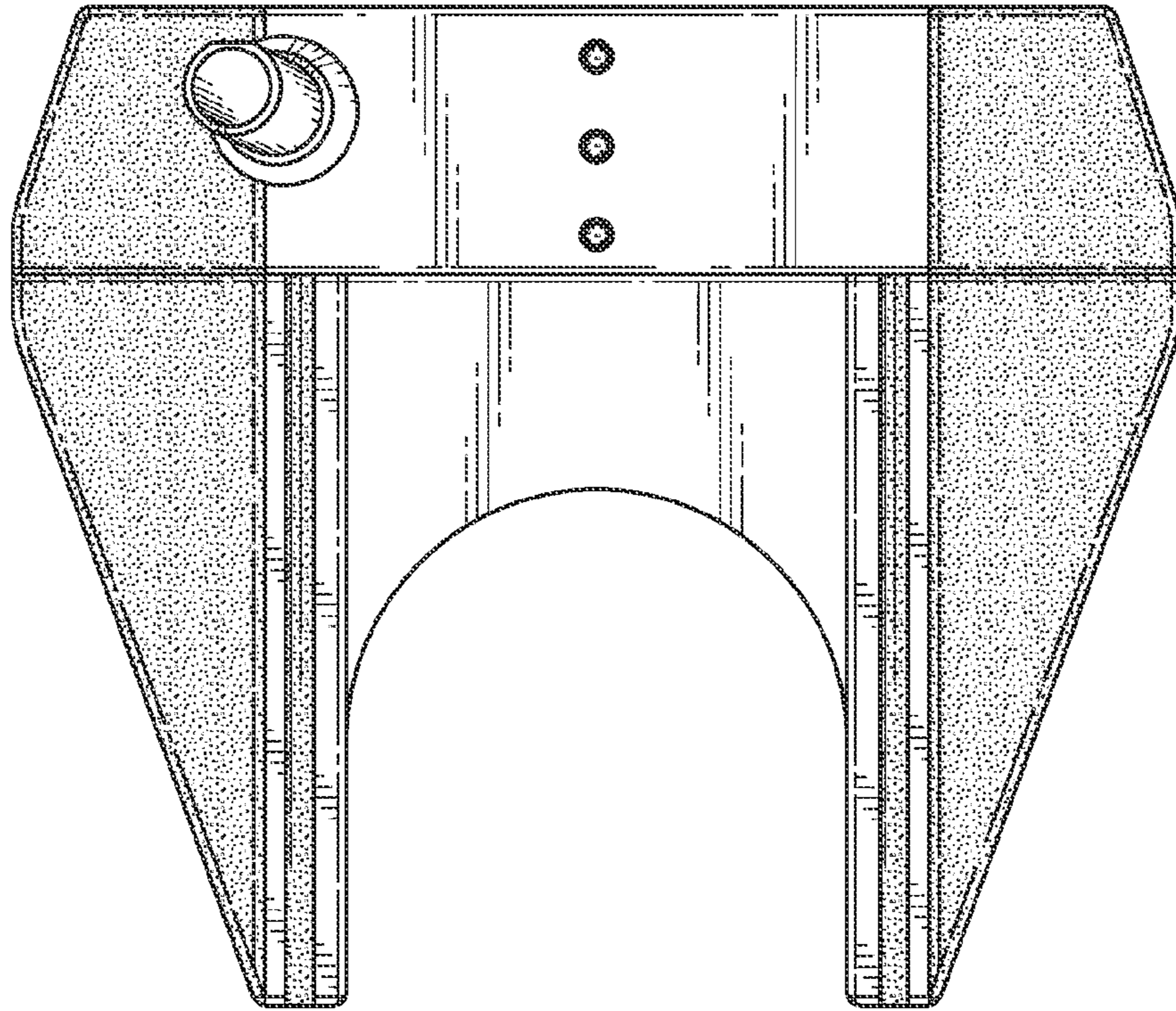


FIG. 13

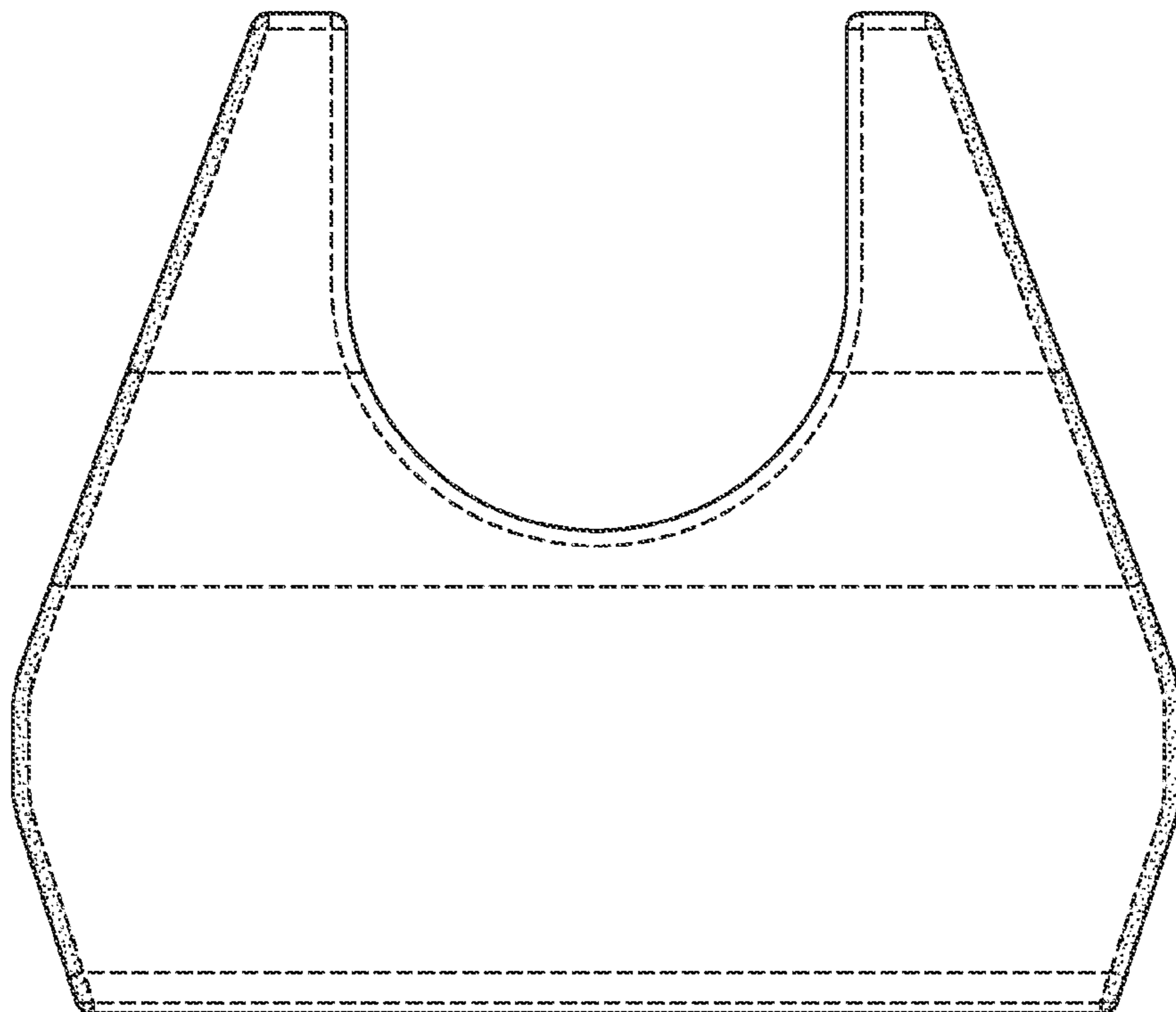


FIG. 14