



US00D688333S

(12) **United States Design Patent**  
**Stosiak et al.**

(10) **Patent No.:** **US D688,333 S**

(45) **Date of Patent:** **\*\* Aug. 20, 2013**

(54) **TOY FIGURINE**

(71) Applicant: **MEGA Brands, Inc.**, Montreal (CA)

(72) Inventors: **Mark Stosiak**, Lachine (CA); **Martin Boudreault**, Pierrefonds (CA)

(73) Assignee: **MEGA Brands Inc.**, Montreal, Quebec (CA)

(\*\*) Term: **14 Years**

(21) Appl. No.: **29/448,626**

(22) Filed: **Mar. 13, 2013**

(51) **LOC (9) Cl.** ..... **21-01**

(52) **U.S. Cl.**  
USPC ..... **D21/659**; D21/621

(58) **Field of Classification Search**  
USPC ..... D21/621, 623, 624, 625, 628, 630,  
D21/631, 633, 640, 643-649, 659; 446/268,  
446/360, 361, 376, 379, 382-384; D19/62;  
D20/29-32

See application file for complete search history.

(56) **References Cited**

**U.S. PATENT DOCUMENTS**

2,752,726	A	7/1956	Calverley	
3,874,113	A	4/1975	Beck	
3,946,517	A	3/1976	Goldfarb et al.	
3,995,395	A	12/1976	Rahmstorf	
4,063,381	A	12/1977	Deulofeu	
D247,054	S	1/1978	Rahmstorf	
4,136,481	A	1/1979	Nicholls	
D253,711	S *	12/1979	Christiansen et al.	..... D21/621
4,185,412	A	1/1980	Rahmstorf	
D254,264	S	2/1980	Melotti	
4,190,982	A	3/1980	Rahmstorf	
D255,475	S	6/1980	Boot	
4,512,749	A	4/1985	Deulofeu	

D278,735	S	5/1985	Nielsen	
D284,091	S	6/1986	Arnau	
4,643,691	A	2/1987	Keiji	
D366,076	S *	1/1996	Pedersen	..... D21/621
5,628,669	A	5/1997	Hesse	
D393,670	S *	4/1998	Glickman et al.	..... D21/659
D404,441	S *	1/1999	Tong	..... D21/621
D472,283	S	3/2003	Akashi	
6,575,810	B1	6/2003	Sohn	
6,692,332	B2	2/2004	Jheow	
7,021,989	B2	4/2006	Wai	
D539,364	S *	3/2007	Sofussen	..... D21/621
D594,870	S	6/2009	Leung	
7,553,209	B1	6/2009	Sorensen	

(Continued)

*Primary Examiner* — Zenia Bennett

(74) *Attorney, Agent, or Firm* — Plumsea Law Group, LLC

(57) **CLAIM**

The ornamental design for a toy figurine, as shown and described.

**DESCRIPTION**

FIG. 1 is a front perspective view of a toy figurine showing the new design;

FIG. 2 is a front elevational view of the toy figurine of FIG. 1;

FIG. 3 is a rear elevational view of the toy figurine of FIG. 1;

FIG. 4 is a right side elevational view of the toy figurine of FIG. 1;

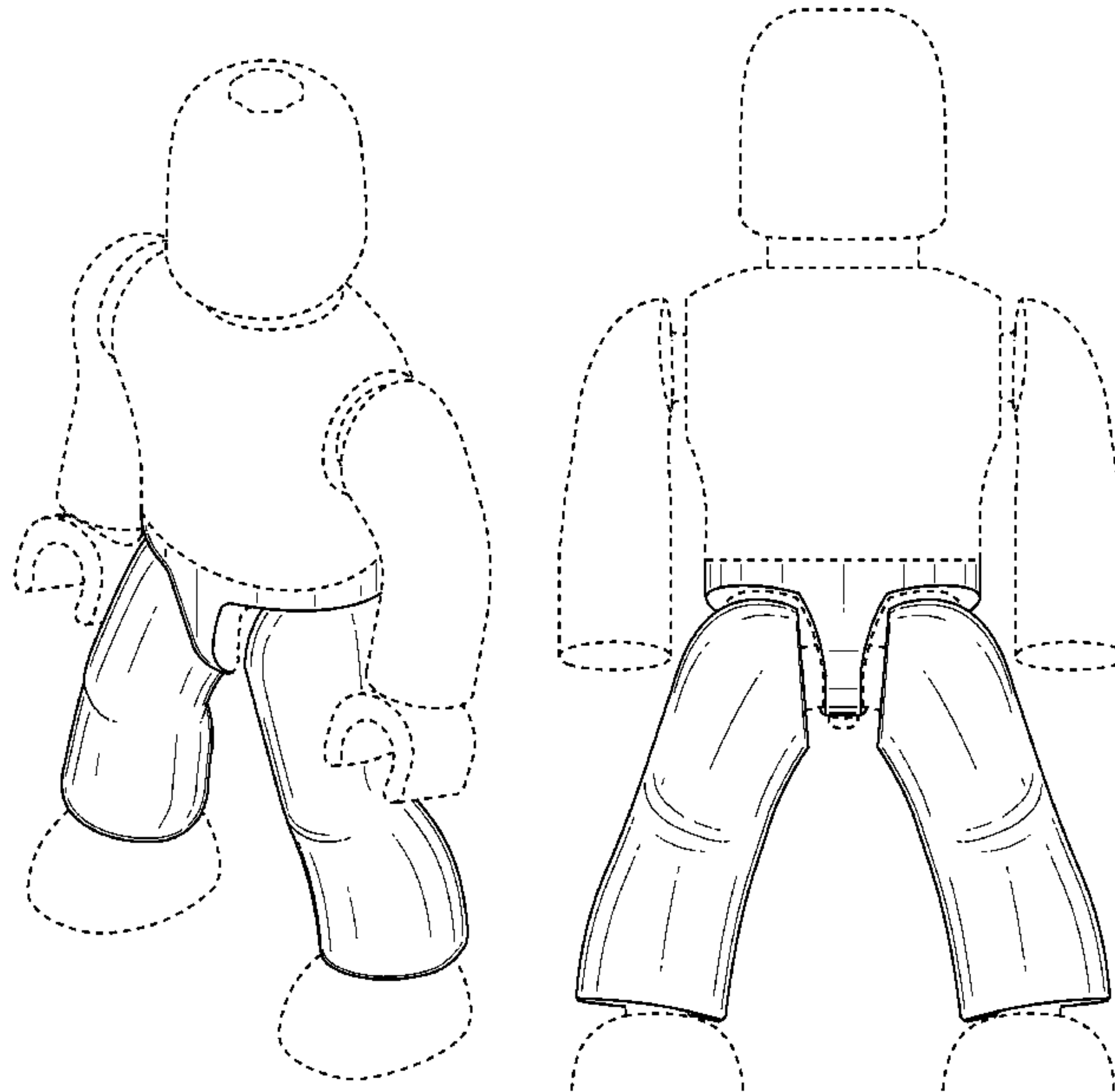
FIG. 5 is a left side elevational view of the toy figurine of FIG. 1;

FIG. 6 is a top plan view of the toy figurine of FIG. 1; and,

FIG. 7 is a bottom plan view of the toy figurine of FIG. 1.

The broken lines are for environmental and illustrative purposes only and are not part of the claimed design. Broken lines depicting the toy figurine hands in FIG. 2 and the toy figurine hands and arms in FIGS. 4 and 5 have been omitted to permit views of the claimed design.

**1 Claim, 6 Drawing Sheets**



# US D688,333 S

Page 2

---

(56)

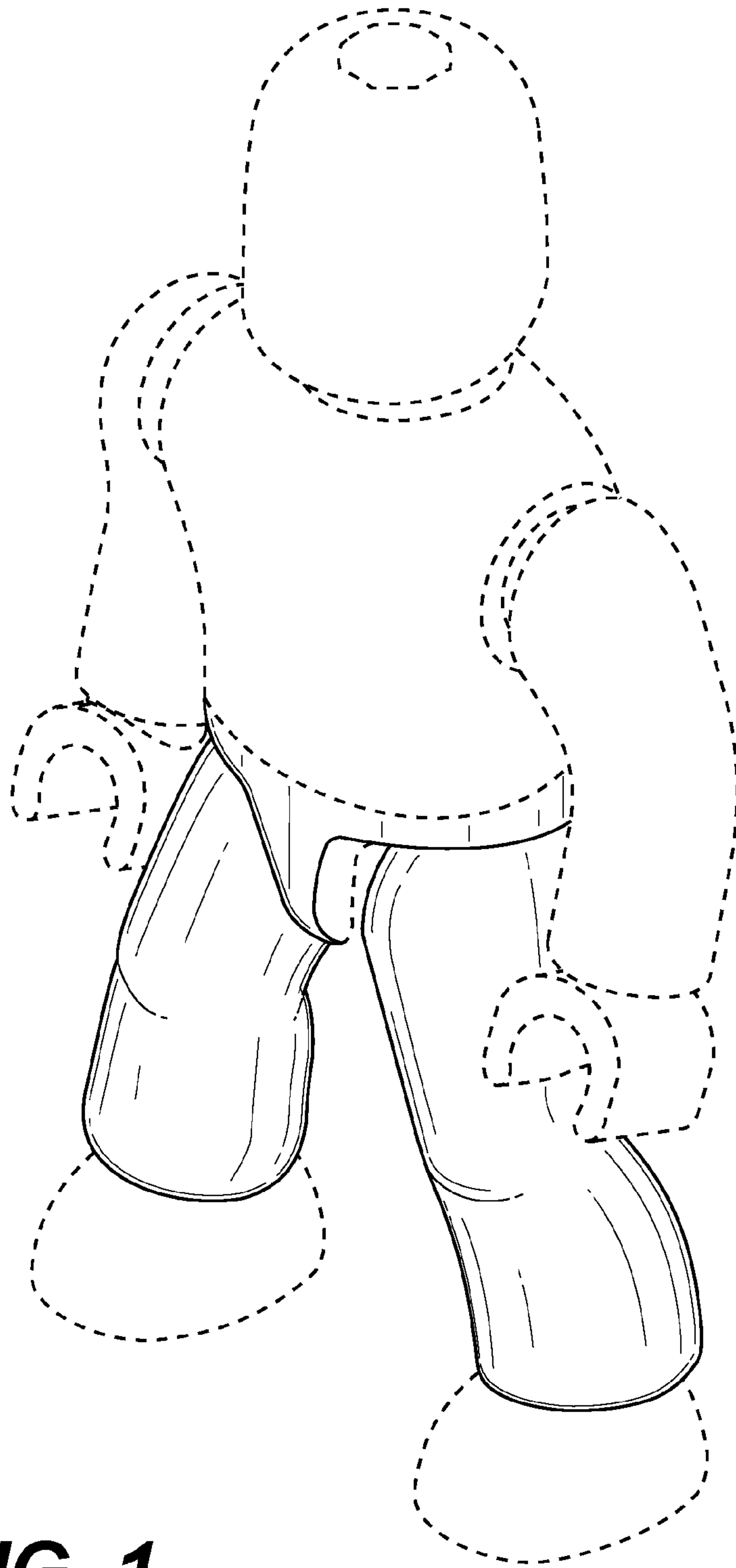
## References Cited

### U.S. PATENT DOCUMENTS

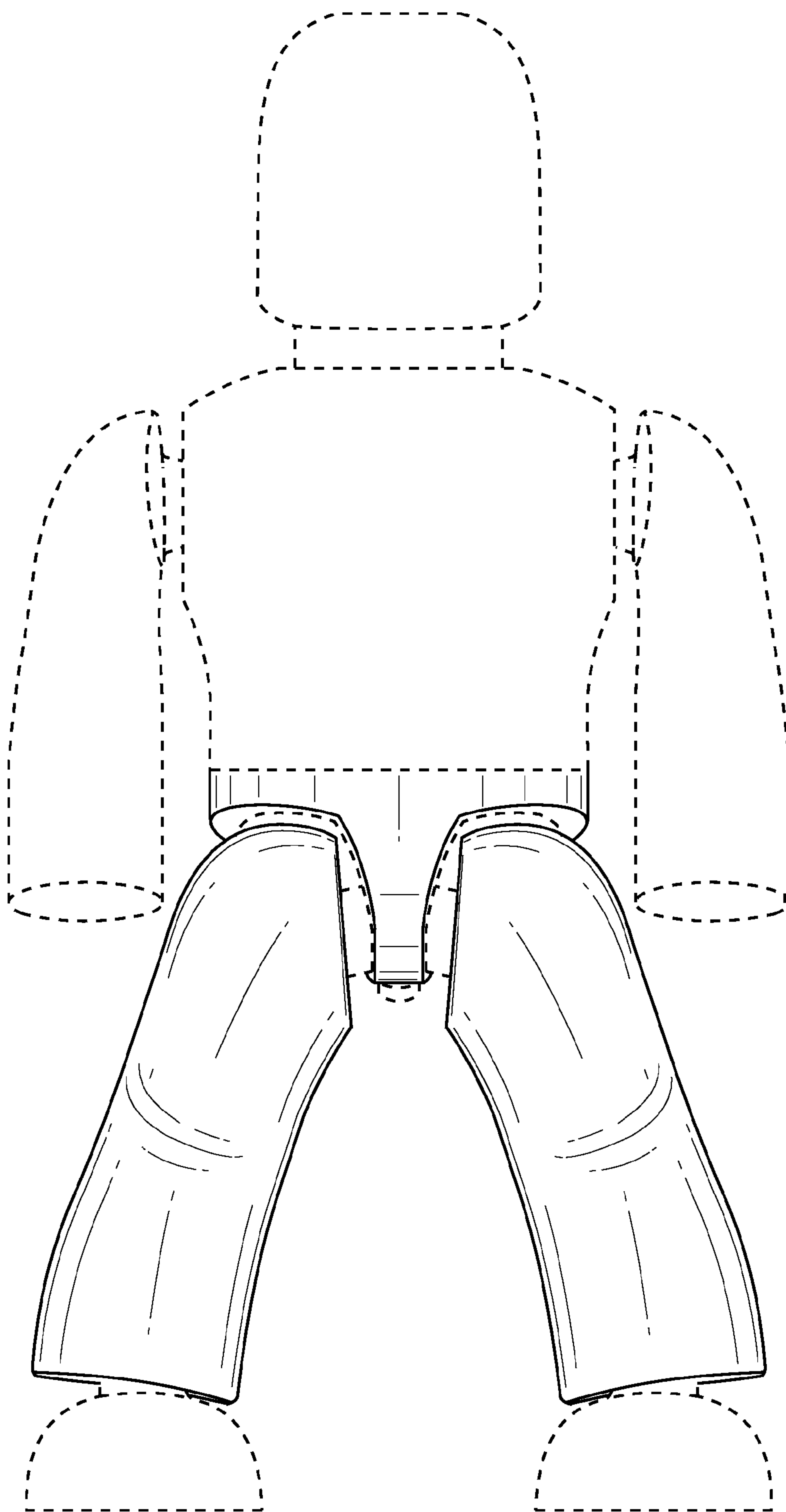
7,566,256 B2 7/2009 Wai  
D611,108 S 3/2010 Bodin

D621,886 S \* 8/2010 Lee ..... D21/621  
8,210,891 B2 7/2012 Brumagin et al.  
D672,413 S 12/2012 Dubreuil et al.

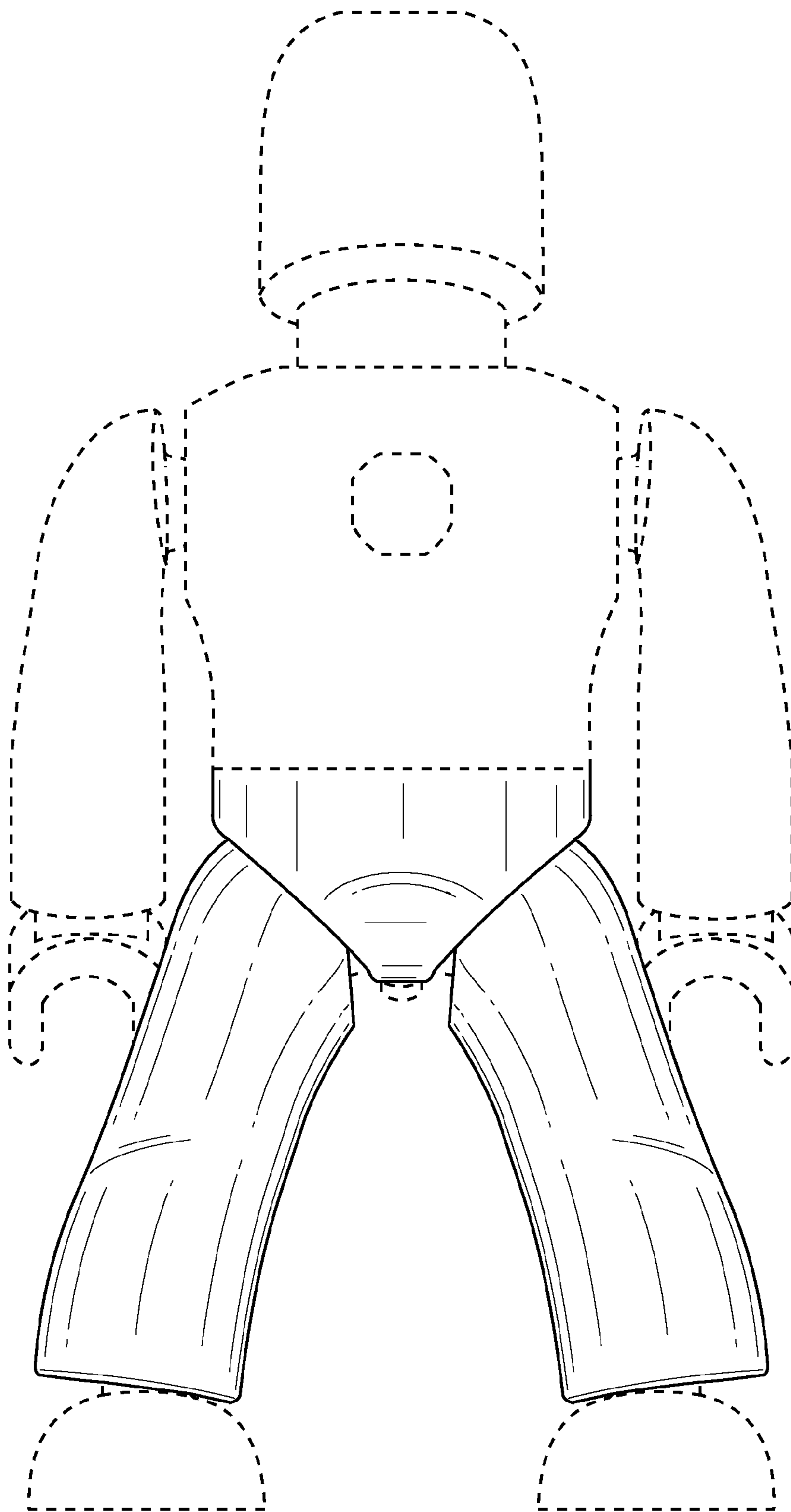
\* cited by examiner



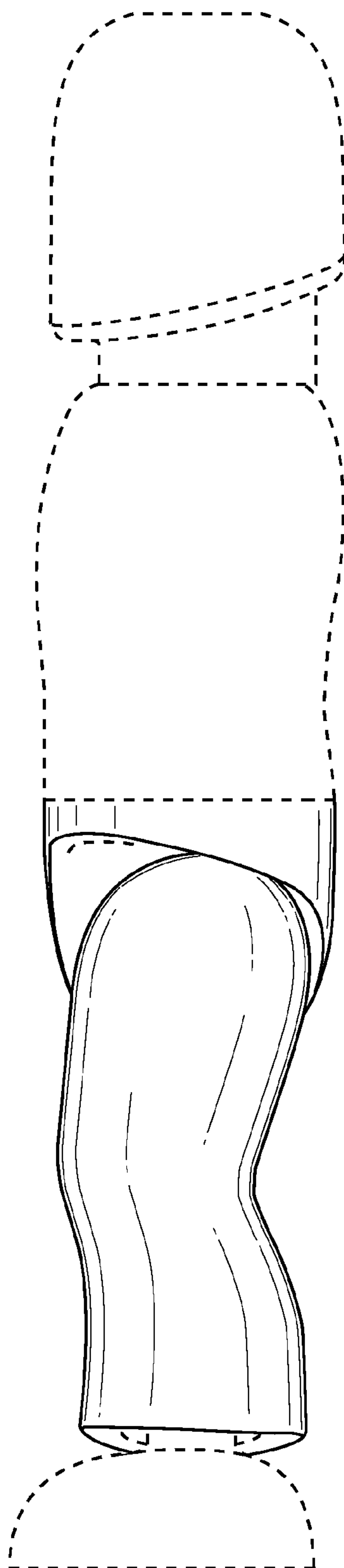
**FIG. 1**



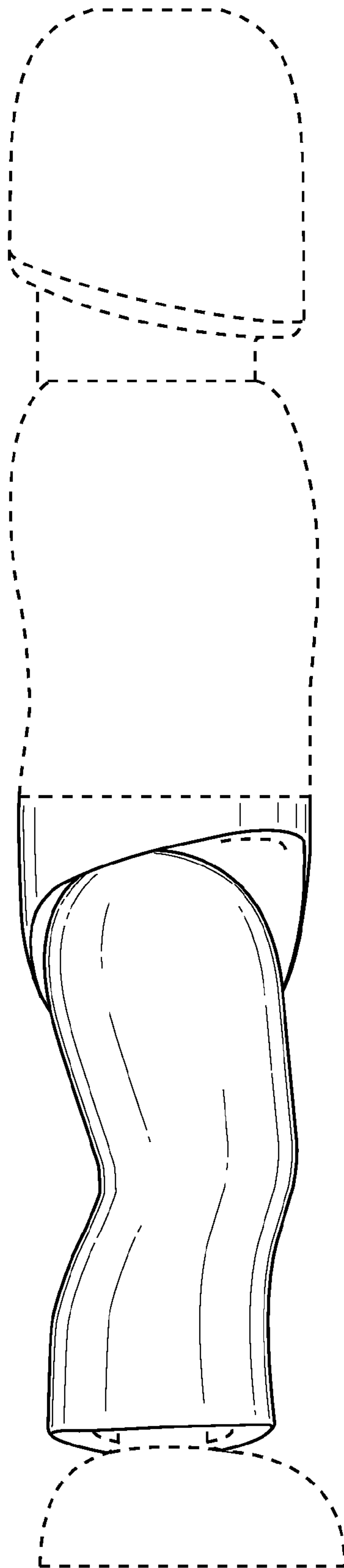
**FIG. 2**



**FIG. 3**

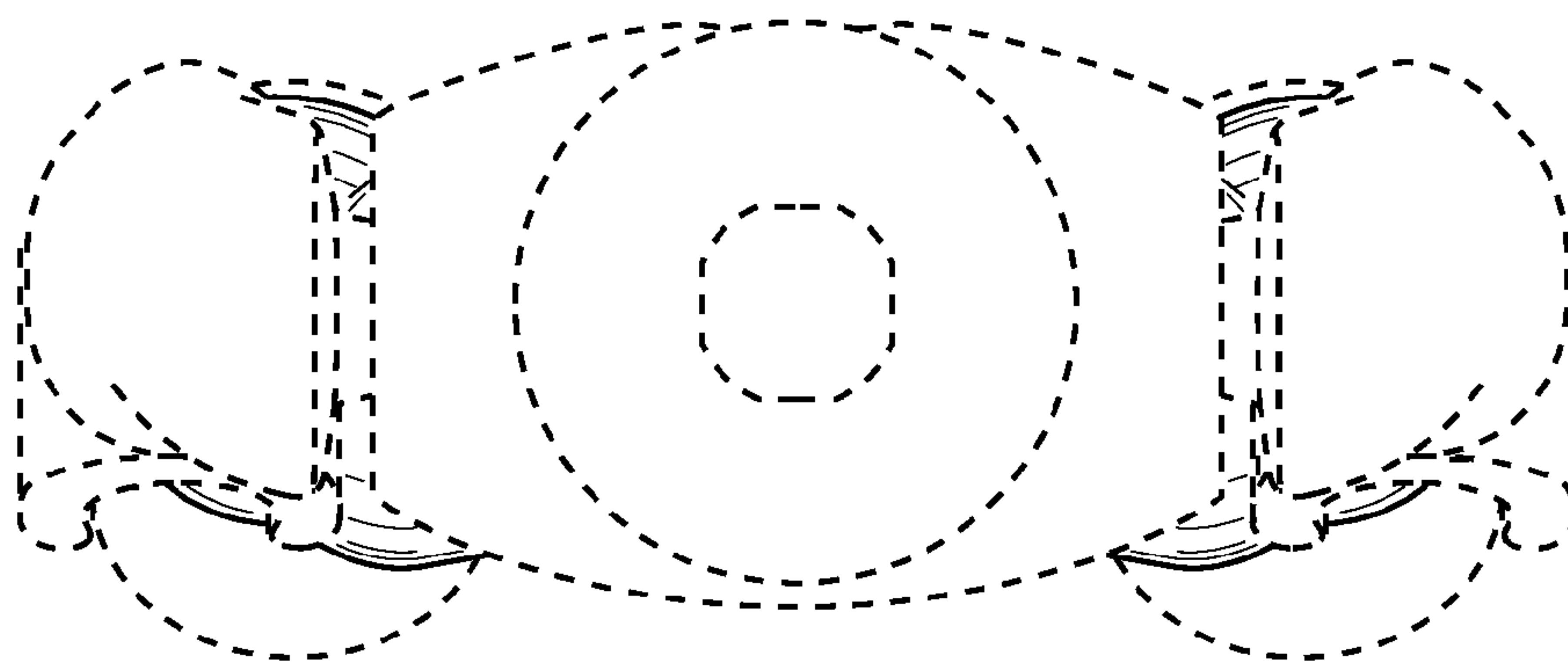


**FIG. 4**

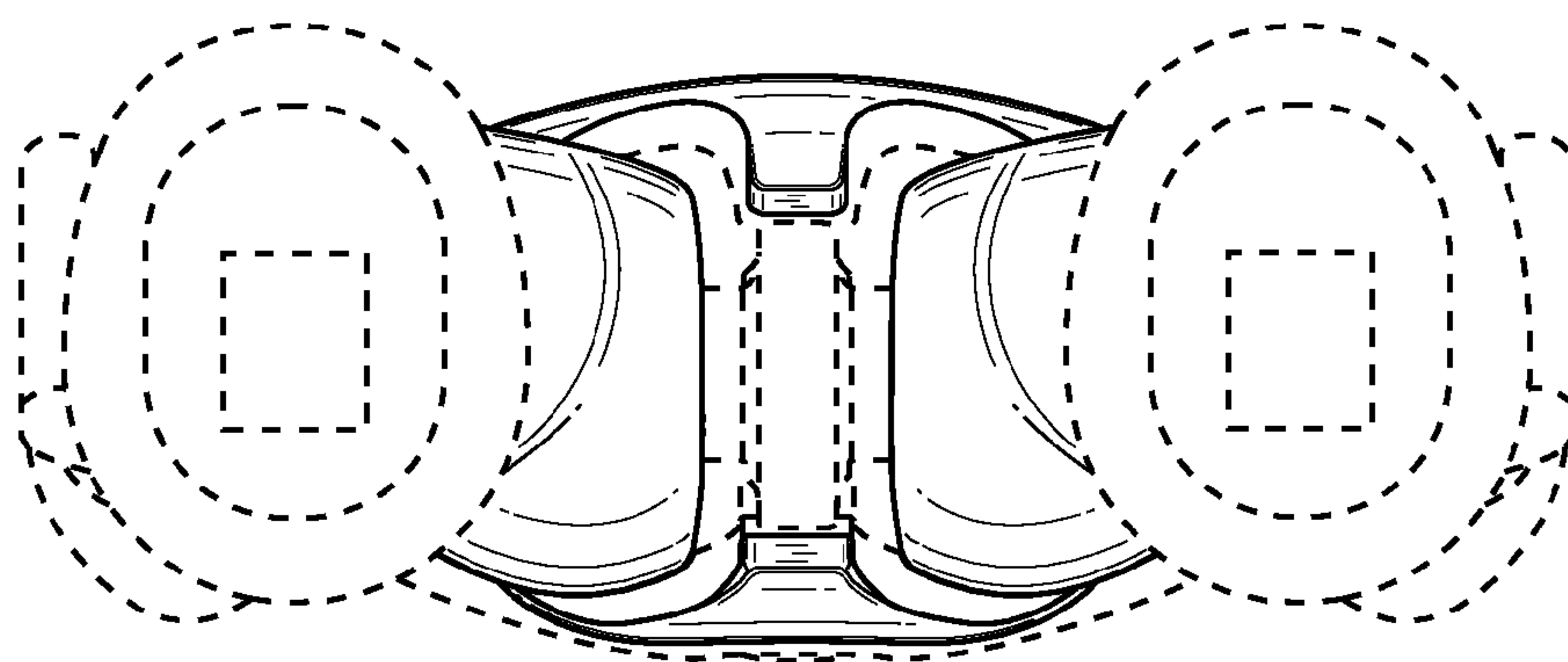


**FIG. 5**





**FIG. 6**



**FIG. 7**