



US00D688332S

(12) **United States Design Patent**
Stosiak et al.

(10) **Patent No.:** **US D688,332 S**
(45) **Date of Patent:** **** Aug. 20, 2013**

- (54) **TOY FIGURINE**
- (71) Applicant: **MEGA Brands Inc.**, Montreal (CA)
- (72) Inventors: **Mark Stosiak**, Lachine (CA); **Martin Boudreault**, Pierrefonds (CA)
- (73) Assignee: **MEGA Brands Inc.**, Montreal, Quebec (CA)
- (**) Term: **14 Years**
- (21) Appl. No.: **29/448,613**
- (22) Filed: **Mar. 13, 2013**
- (51) **LOC (9) Cl.** **21-01**
- (52) **U.S. Cl.**
USPC **D21/659**; D21/621
- (58) **Field of Classification Search**
USPC D21/621, 623, 624, 625, 628, 630, D21/631, 633, 640, 643–649, 659; 446/268, 446/360, 361, 376, 379, 382–384; D19/62; D20/29–32

See application file for complete search history.

(56) **References Cited**

U.S. PATENT DOCUMENTS

2,752,726	A	7/1956	Calverley	
3,651,598	A *	3/1972	Lang	446/268
3,874,113	A	4/1975	Beck	
3,946,517	A	3/1976	Goldfarb et al.	
3,995,395	A	12/1976	Rahmstorf	
4,063,381	A	12/1977	Deulofeu	
D247,054	S	1/1978	Rahmstorf	
4,136,481	A	1/1979	Nicholls	
4,141,176	A *	2/1979	Flicker et al.	446/361
D253,711	S	12/1979	Christiansen et al.	
4,185,412	A	1/1980	Rahmstorf	
D254,264	S	2/1980	Melotti	
4,190,982	A	3/1980	Rahmstorf	

D255,475	S	6/1980	Boot	
4,512,749	A	4/1985	Deulofeu	
D278,735	S	5/1985	Nielsen	
D284,091	S	6/1986	Arnau (Pibet)	
4,643,691	A	2/1987	Keiji	
5,210,891	A	5/1993	Avital et al.	
5,328,400	A *	7/1994	Bass	446/98
D366,076	S	1/1996	Pedersen	
5,628,669	A	5/1997	Hesse	
D393,670	S	4/1998	Glickman et al.	
D404,441	S	1/1999	Tong	
6,439,952	B1 *	8/2002	Yamamura	446/383
D472,283	S	3/2003	Akashi	
6,575,810	B1	6/2003	Sohn	
6,692,332	B2	2/2004	Jheow	
7,021,989	B2	4/2006	Wai	
D531,234	S *	10/2006	Kitamura	D21/621

(Continued)

Primary Examiner — Zenia Bennet

(74) *Attorney, Agent, or Firm* — Plumsea Law Group, LLC

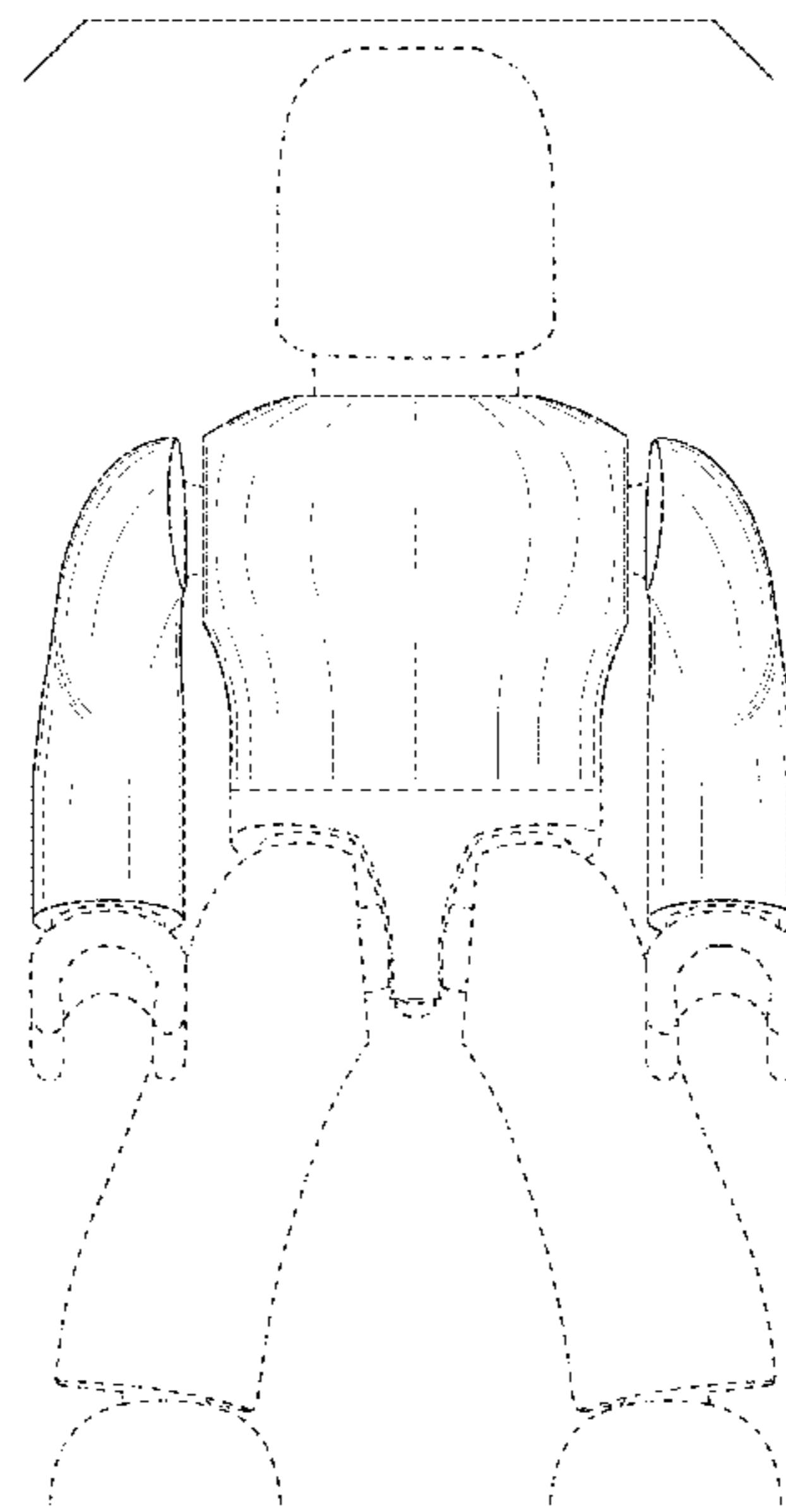
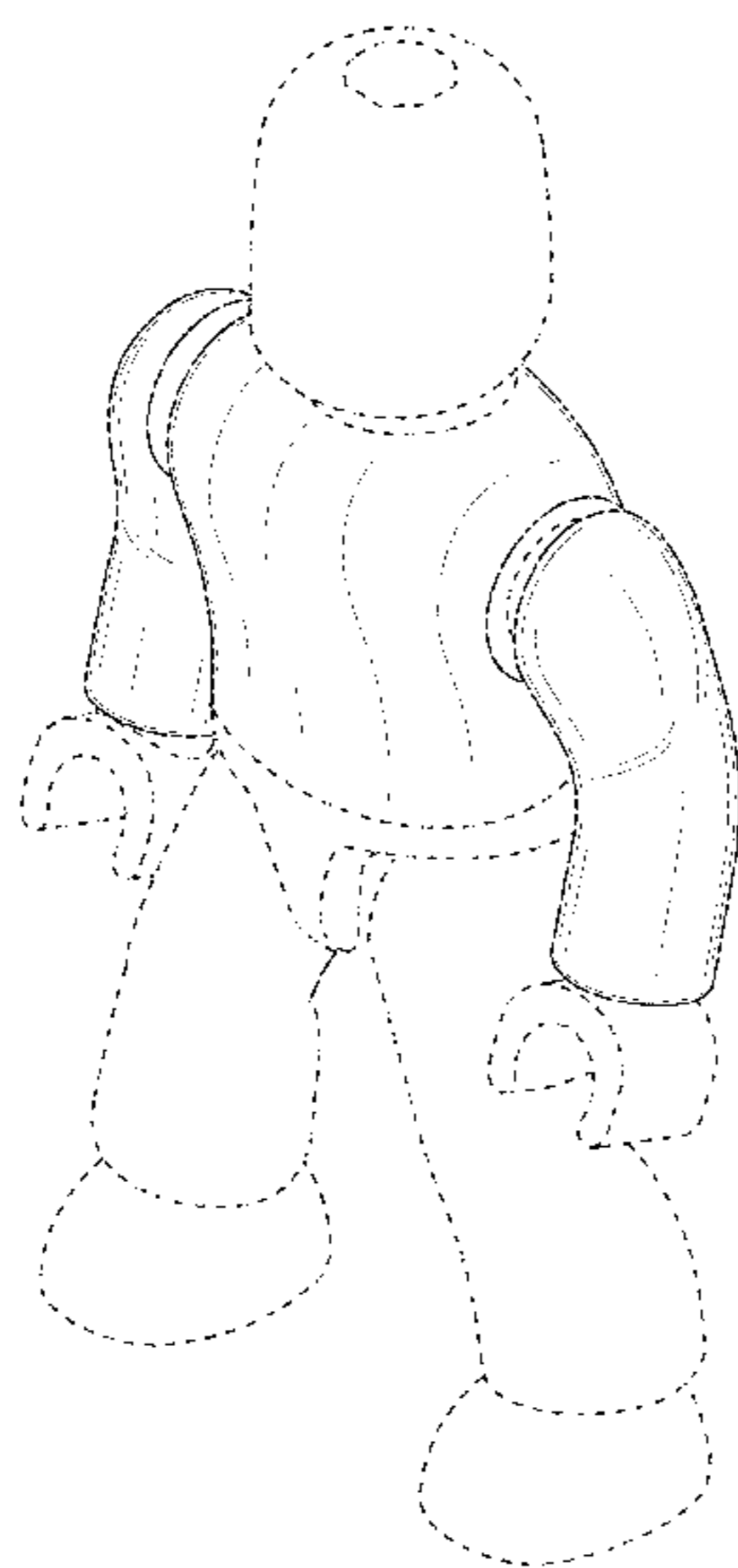
(57) **CLAIM**

We claim the ornamental design for a toy figurine, as shown and described.

DESCRIPTION

FIG. 1 is a front perspective view of a toy figurine showing the new design;
 FIG. 2 is a front elevational view of the toy figurine of FIG. 1;
 FIG. 3 is a rear elevational view of the toy figurine of FIG. 1;
 FIG. 4 is a right side elevational view of the toy figurine of FIG. 1;
 FIG. 5 is a left side elevational view of the toy figurine of FIG. 1;
 FIG. 6 is a top plan view of the toy figurine of FIG. 1; and,
 FIG. 7 is a bottom plan view of the toy figurine of FIG. 1.
 The broken lines are for environmental and illustrative purposes only and are not part of the claimed design.

1 Claim, 6 Drawing Sheets



(56)

References Cited

U.S. PATENT DOCUMENTS

D539,364 S 3/2007 Sofussen
D594,870 S 6/2009 Leung
7,553,209 B1 6/2009 Sorensen

7,566,266 B1 7/2009 Ricketts et al.
D611,108 S 3/2010 Bodin
D621,886 S 8/2010 Lee
D672,413 S 12/2012 Dubreuil et al.

* cited by examiner

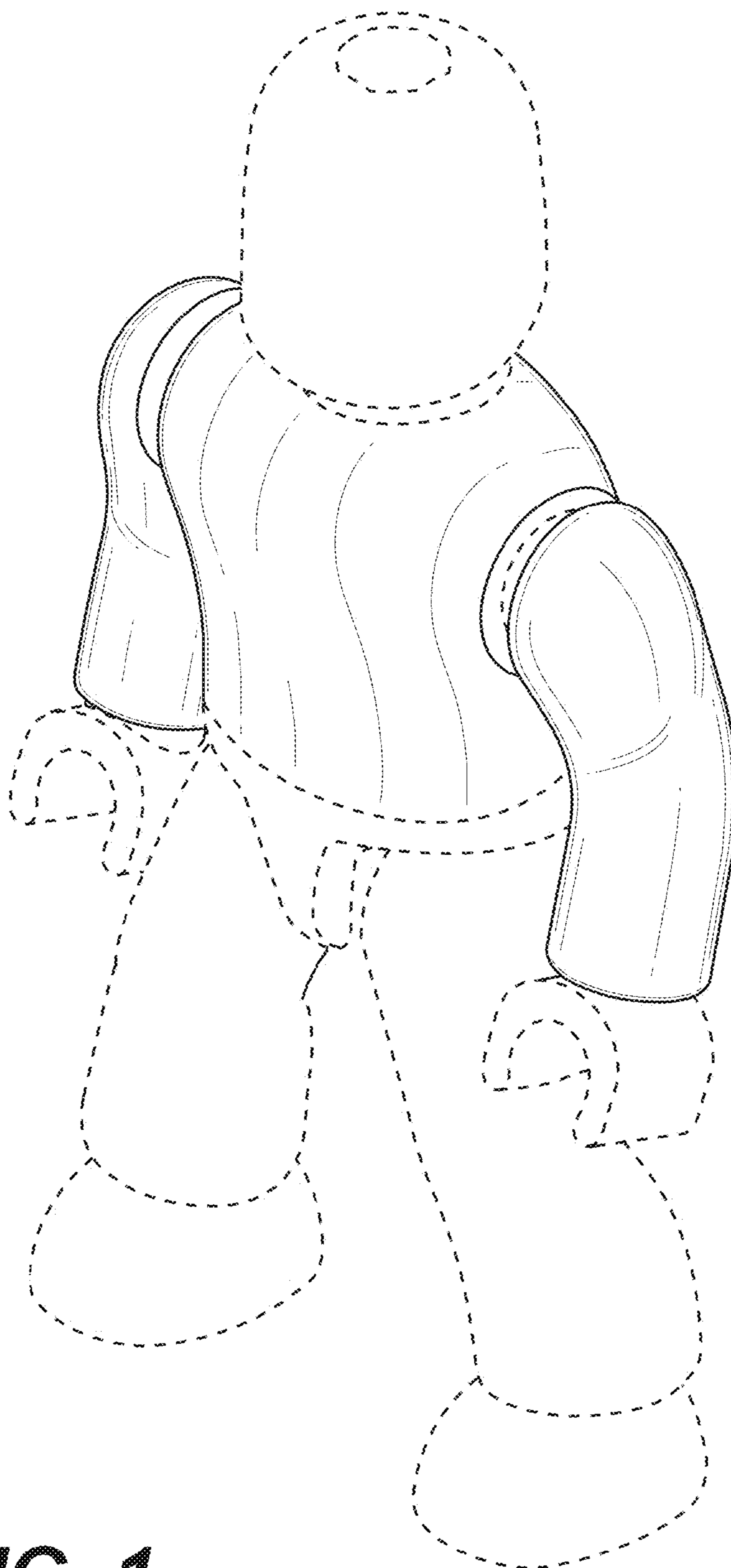


FIG. 1

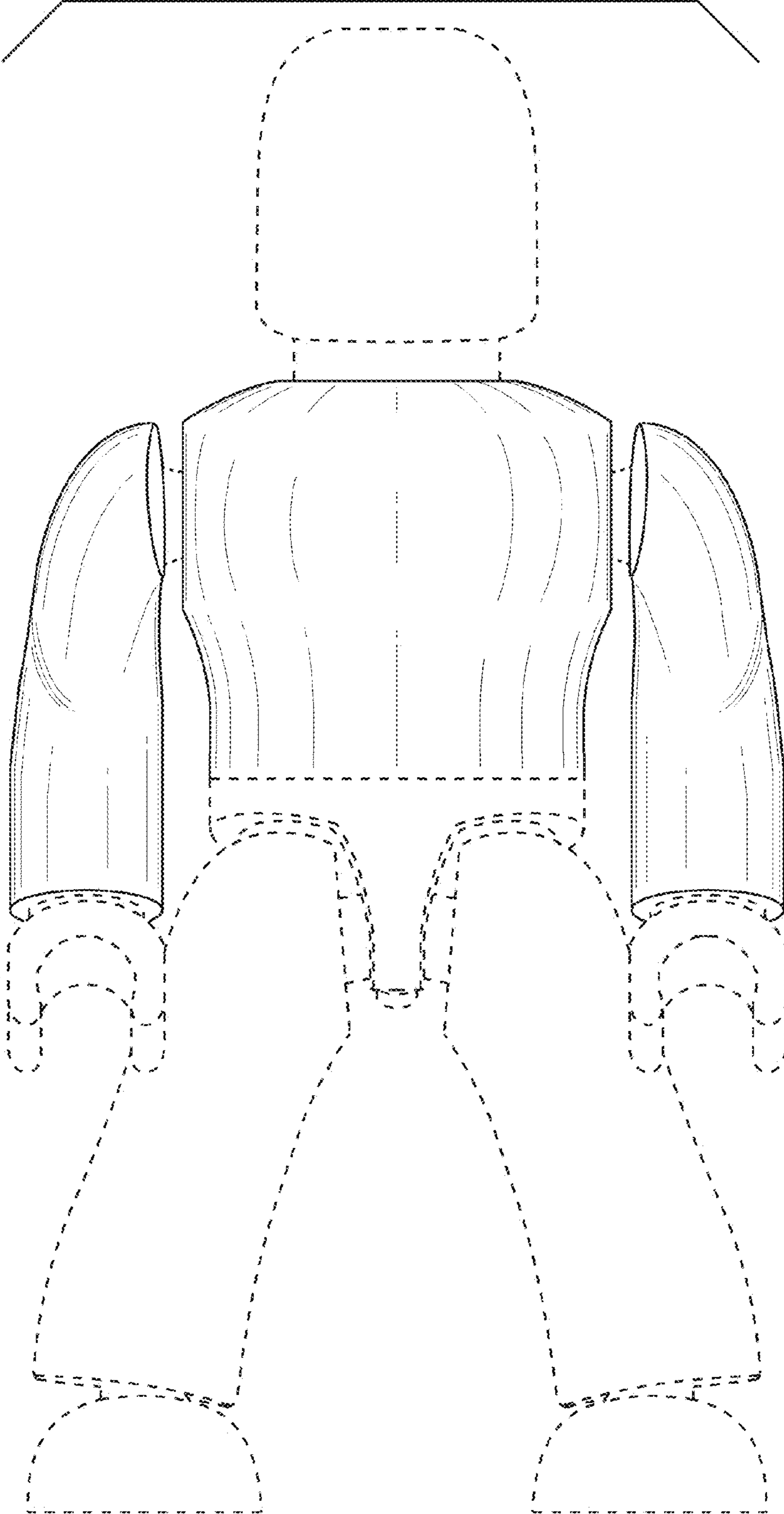


FIG. 2

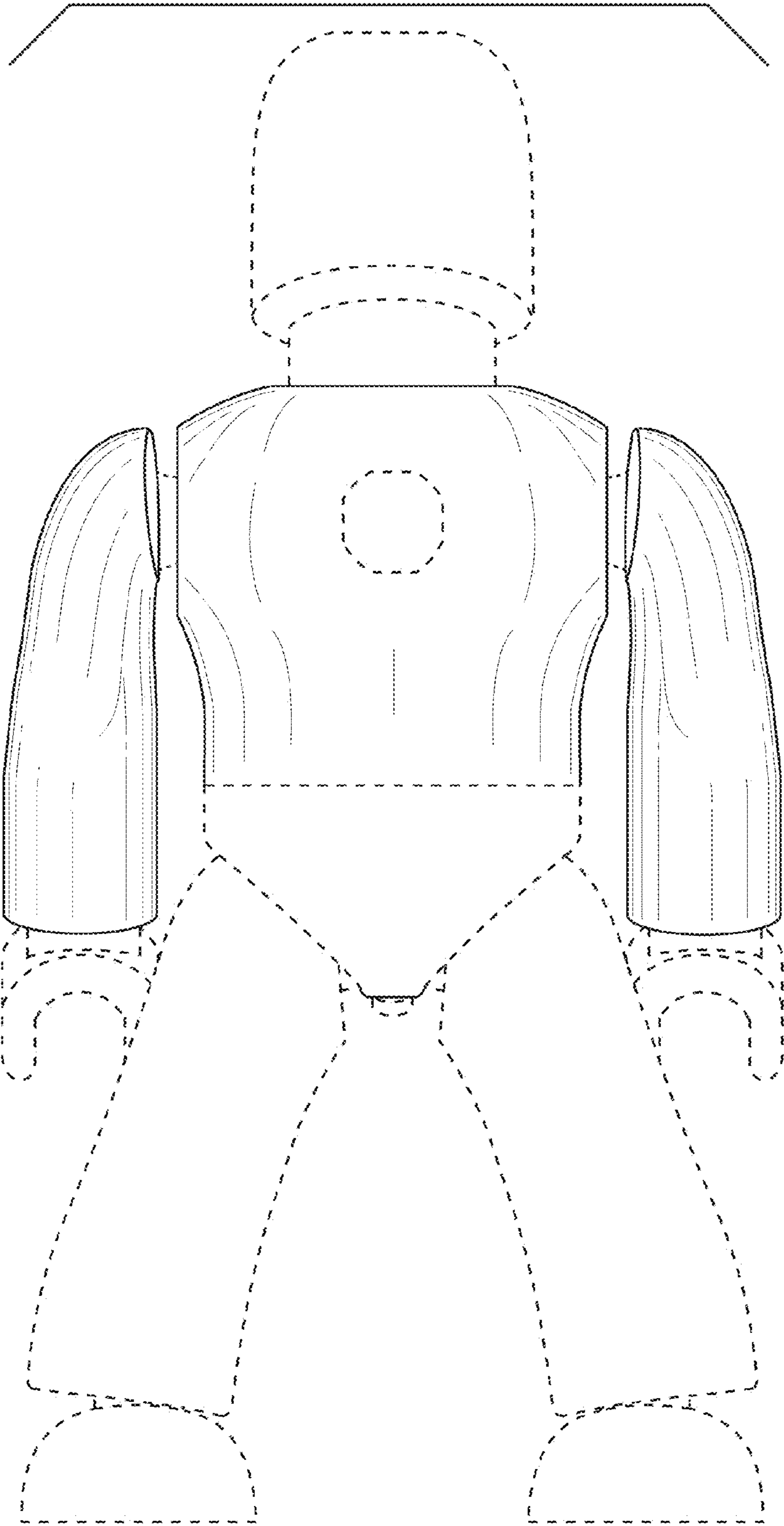


FIG. 3

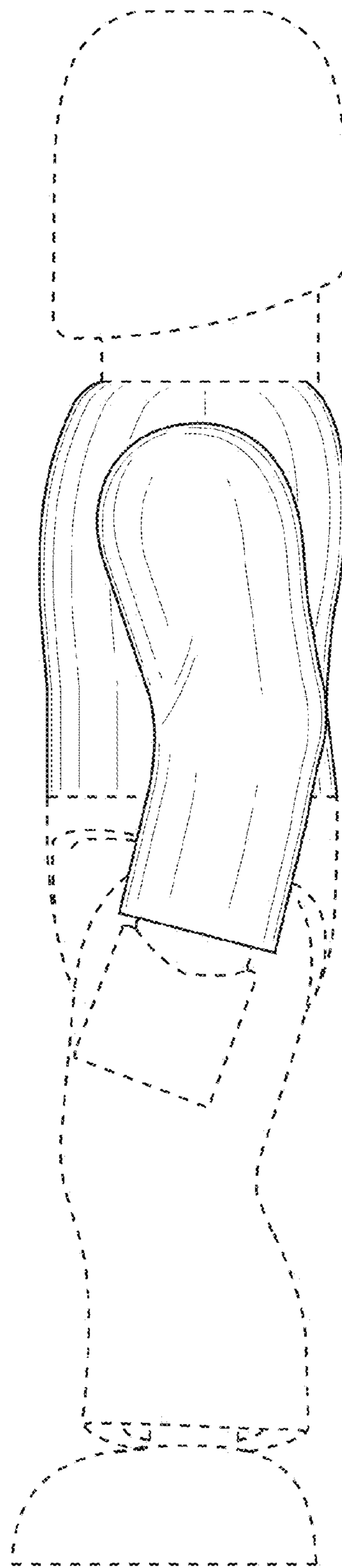


FIG. 4

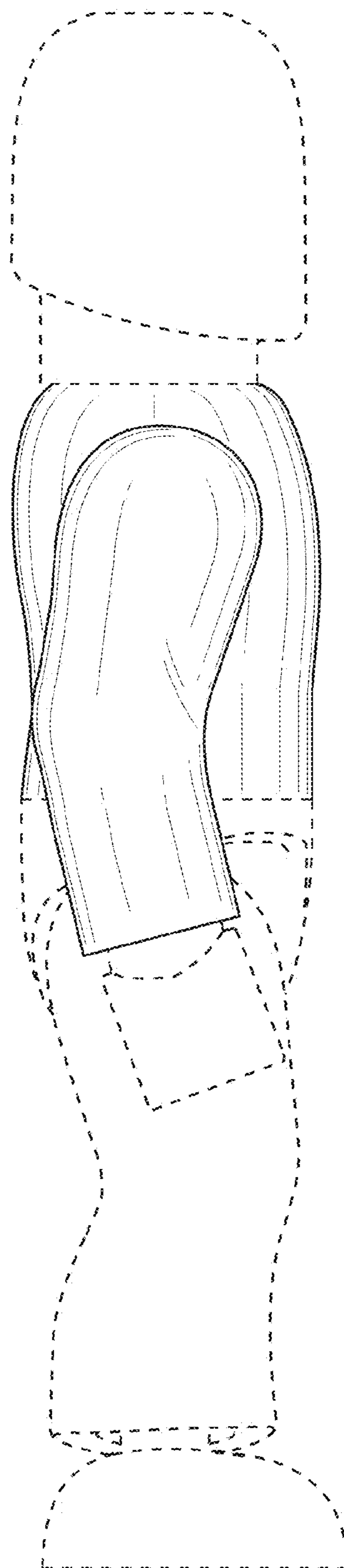


FIG. 5

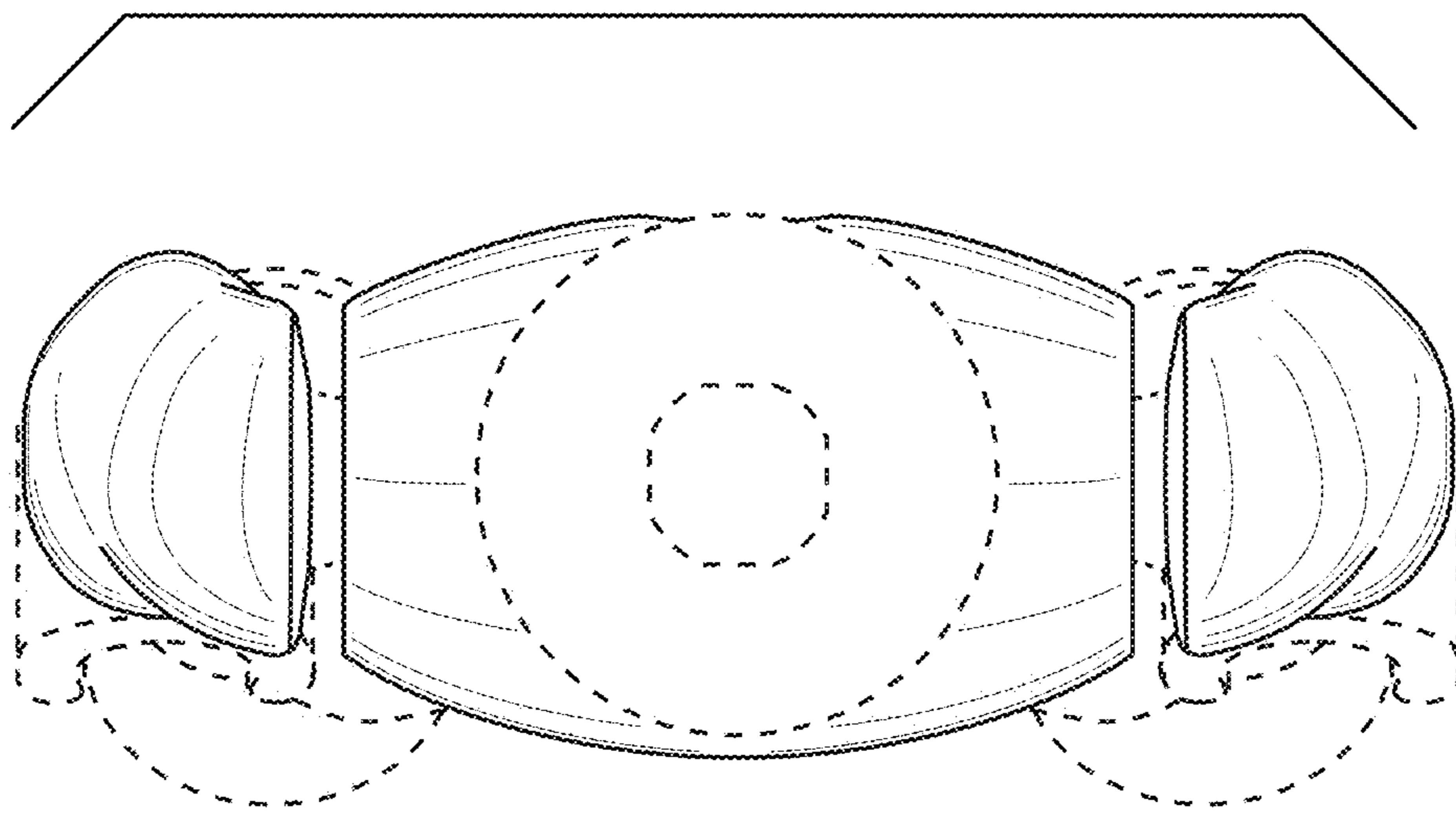


FIG. 6

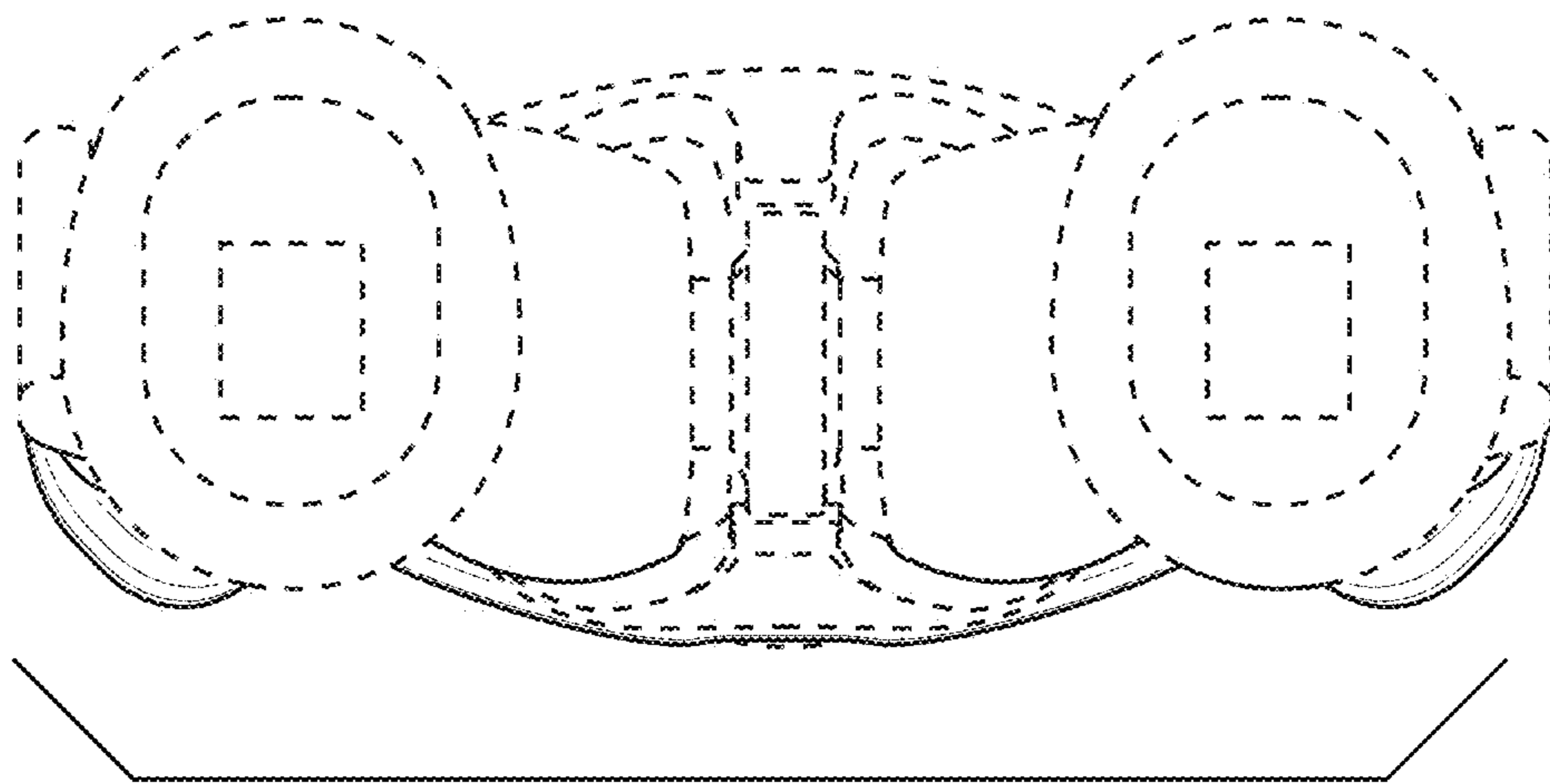


FIG. 7