



US00D688331S

(12) **United States Design Patent**
Dalton et al.

(10) **Patent No.:** **US D688,331 S**

(45) **Date of Patent:** **** Aug. 20, 2013**

- (54) **DOLL WITH PACIFIER**
- (75) Inventors: **Laura Dalton**, St. Louis, MO (US);
Susan Godfrey, Scottsdale, AZ (US)
- (73) Assignee: **First Friends, LLC**, St. Louis, MO (US)
- (**) Term: **14 Years**
- (21) Appl. No.: **29/416,499**
- (22) Filed: **Mar. 22, 2012**
- (51) **LOC (9) Cl.** **21-01**
- (52) **U.S. Cl.**
USPC **D21/658**; D21/576; D6/598
- (58) **Field of Classification Search**
USPC D21/576-578, 585-590, 604-605,
D21/611-612, 623, 625, 655, 658; D24/195;
D11/158-159; 446/71-73, 97-98, 269, 292,
446/368-369; D6/597-598
See application file for complete search history.

- 6,666,740 B1 12/2003 Schneider
- 6,824,112 B2 11/2004 Lange
- D500,817 S 1/2005 Forte
- D519,581 S 4/2006 Velez et al.
- D522,593 S 6/2006 Kennedy
- D609,284 S 2/2010 Markland et al.
- D633,576 S 3/2011 Dalton et al.
- D633,577 S 3/2011 Dalton et al.

(Continued)

Primary Examiner — Sandra Morris

(74) *Attorney, Agent, or Firm* — Schmeiser, Olsen & Watts
LLP; Jordan M. Meschkow

(57) **CLAIM**

The ornamental design for a doll with pacifier, as shown and described.

DESCRIPTION

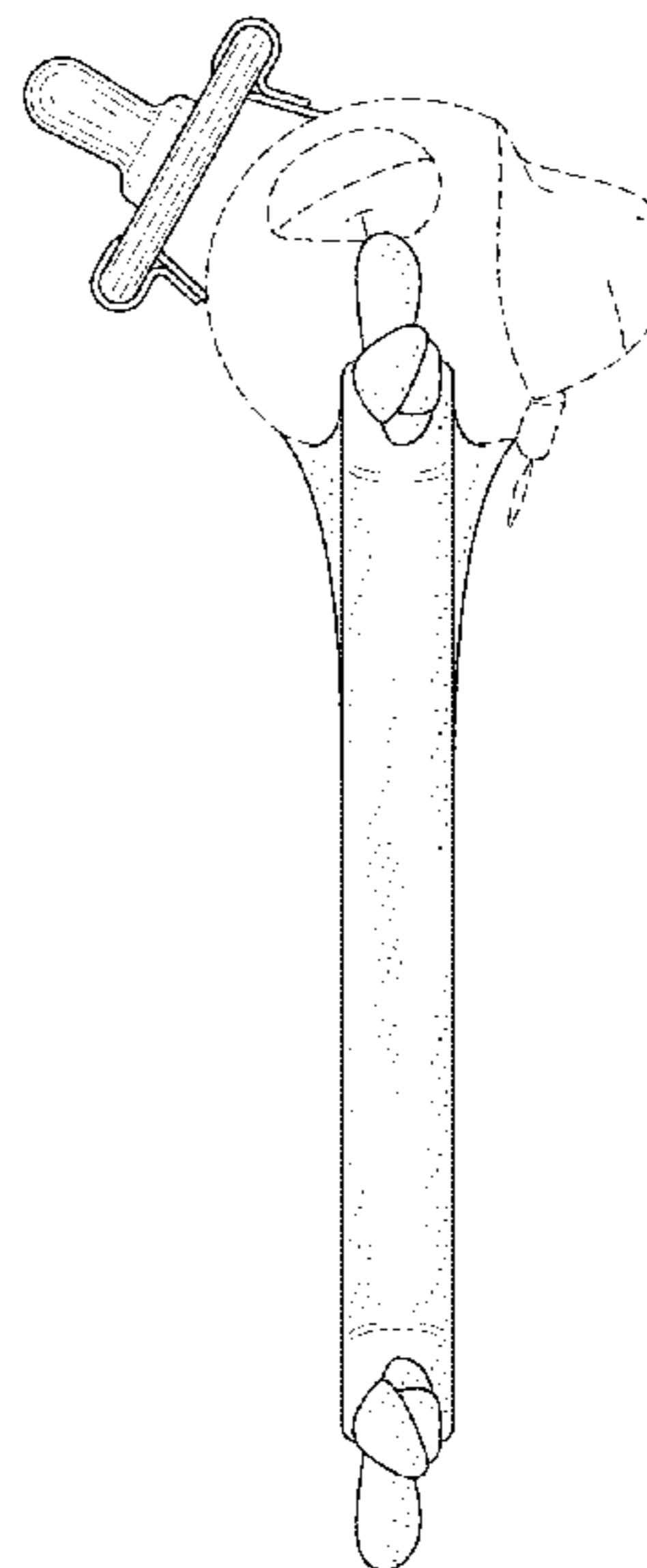
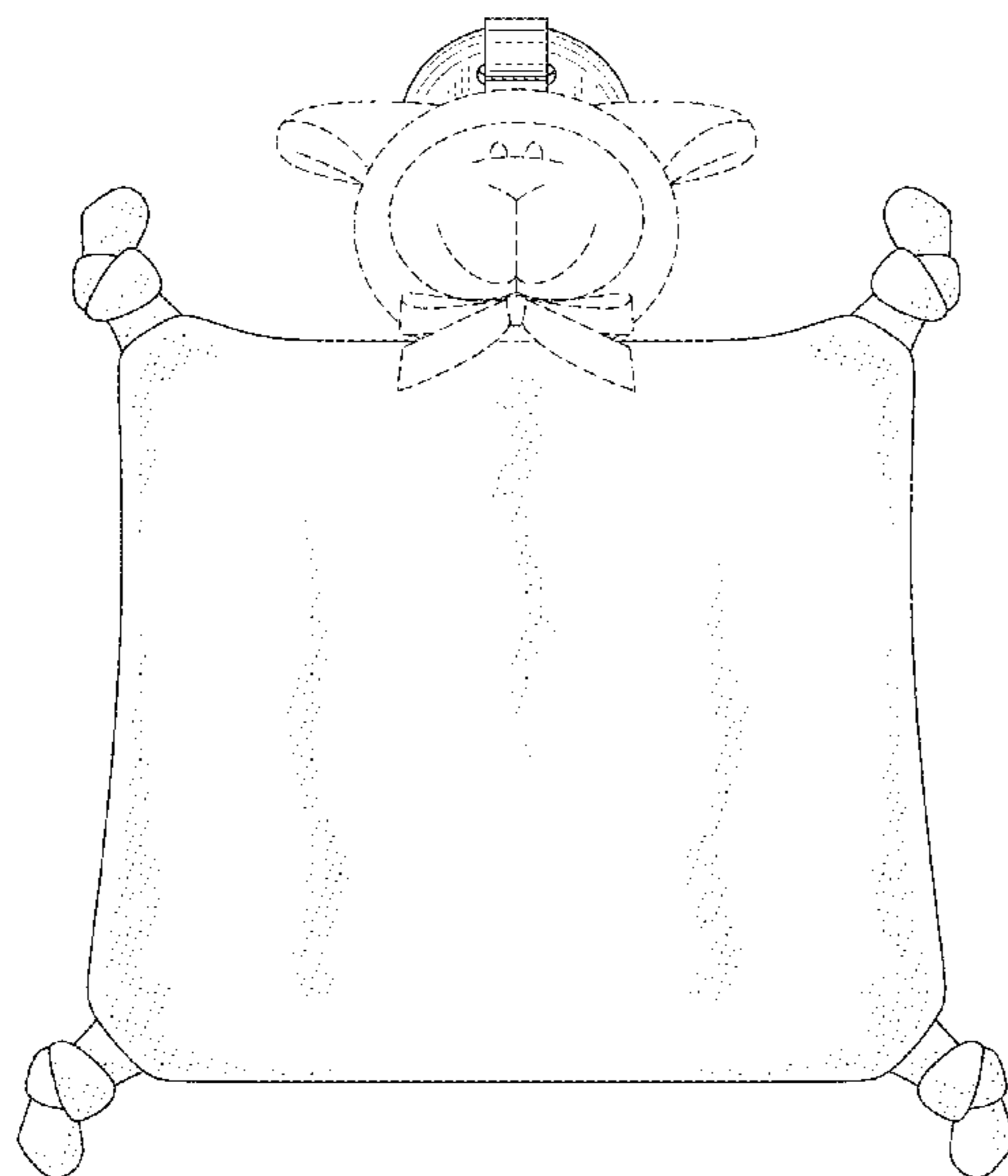
FIG. 1 is a front view of a doll with pacifier, showing our new design therefor;
 FIG. 2 is rear view of the doll with pacifier in FIG. 1;
 FIG. 3 is a side view of the doll with pacifier in FIG. 1; showing the right side;
 FIG. 4 is a side view of the doll with pacifier in FIG. 1; showing the left side;
 FIG. 5 is a top view of the doll with pacifier in FIG. 1;
 FIG. 6 is a bottom view of the doll with pacifier in FIG. 1;
 FIG. 7 is a front view of a doll with pacifier, showing an alternate embodiment of our new design therefor;
 FIG. 8 is rear view of the doll with pacifier in FIG. 7;
 FIG. 9 is a side view of the doll with pacifier in FIG. 7; showing the right side;
 FIG. 10 is a side view of the doll with pacifier in FIG. 7; showing the left side;
 FIG. 11 is a top view of the doll with pacifier in FIG. 7; and,
 FIG. 12 is a bottom view of the doll with pacifier in FIG. 7.

1 Claim, 8 Drawing Sheets

(56) **References Cited**

U.S. PATENT DOCUMENTS

- 4,277,910 A 7/1981 Kramer
- D287,636 S * 1/1987 Callju D21/604
- D325,232 S 4/1992 Phelps
- 5,344,355 A 9/1994 Silverstein
- 5,509,157 A * 4/1996 Story D6/601
- D392,697 S 3/1998 Grasso
- D398,665 S * 9/1998 Hughes D21/623
- D402,761 S 12/1998 Jones
- 5,871,184 A 2/1999 Kaopio
- D414,366 S * 9/1999 Harwich D6/598
- D414,828 S 10/1999 Sant
- D415,540 S 10/1999 Sant
- D443,065 S 5/2001 Byes et al.
- D461,603 S * 8/2002 Oblack D6/598
- D474,060 S * 5/2003 Zeepvat D6/598



US D688,331 S

Page 2

(56)

References Cited

U.S. PATENT DOCUMENTS

D643,074 S 8/2011 Dalton et al.

D650,868 S 12/2011 Dalton et al.
D658,241 S * 4/2012 Ahrendsen D21/605
D660,069 S * 5/2012 Beuerle D6/601

* cited by examiner

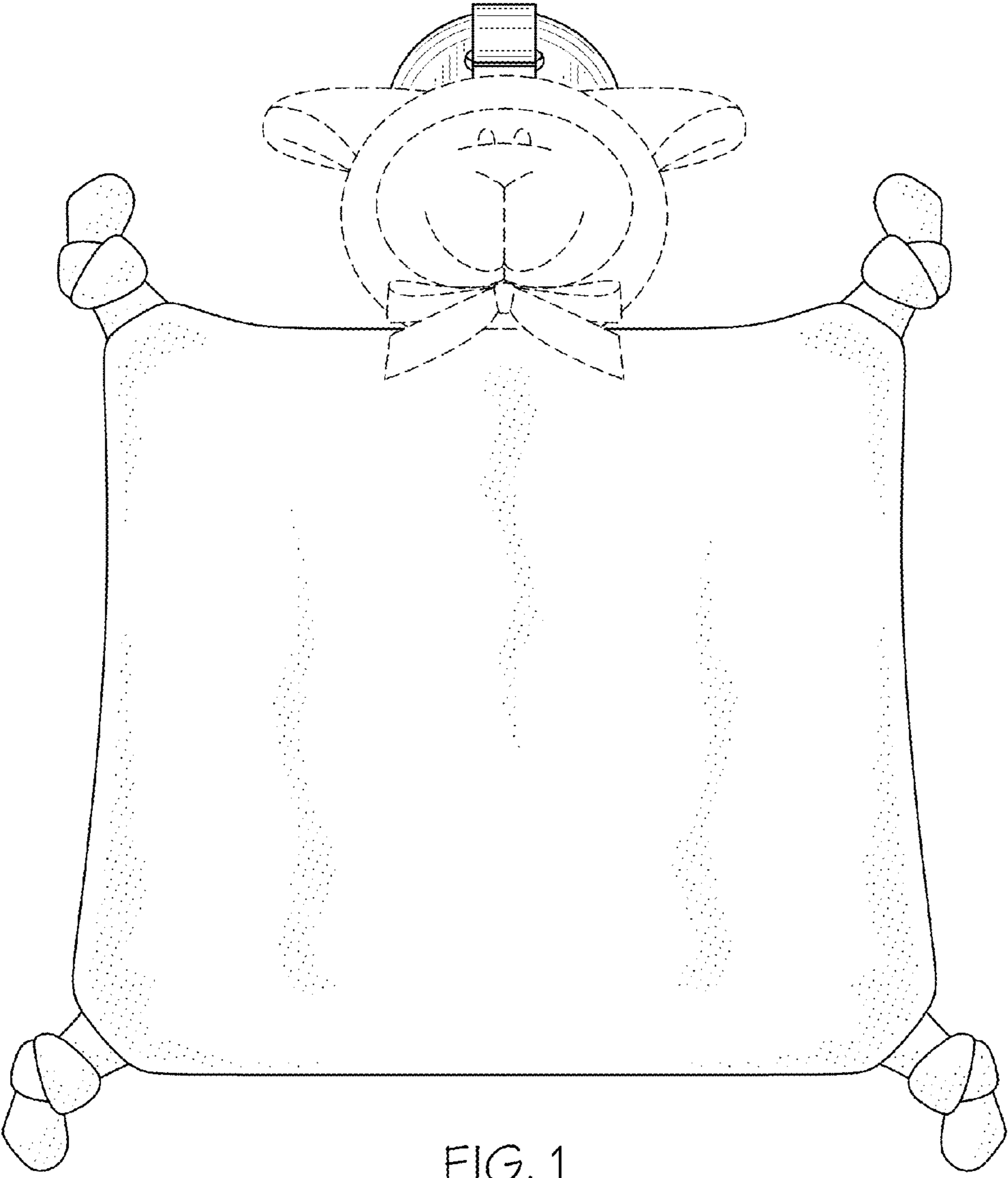


FIG. 1

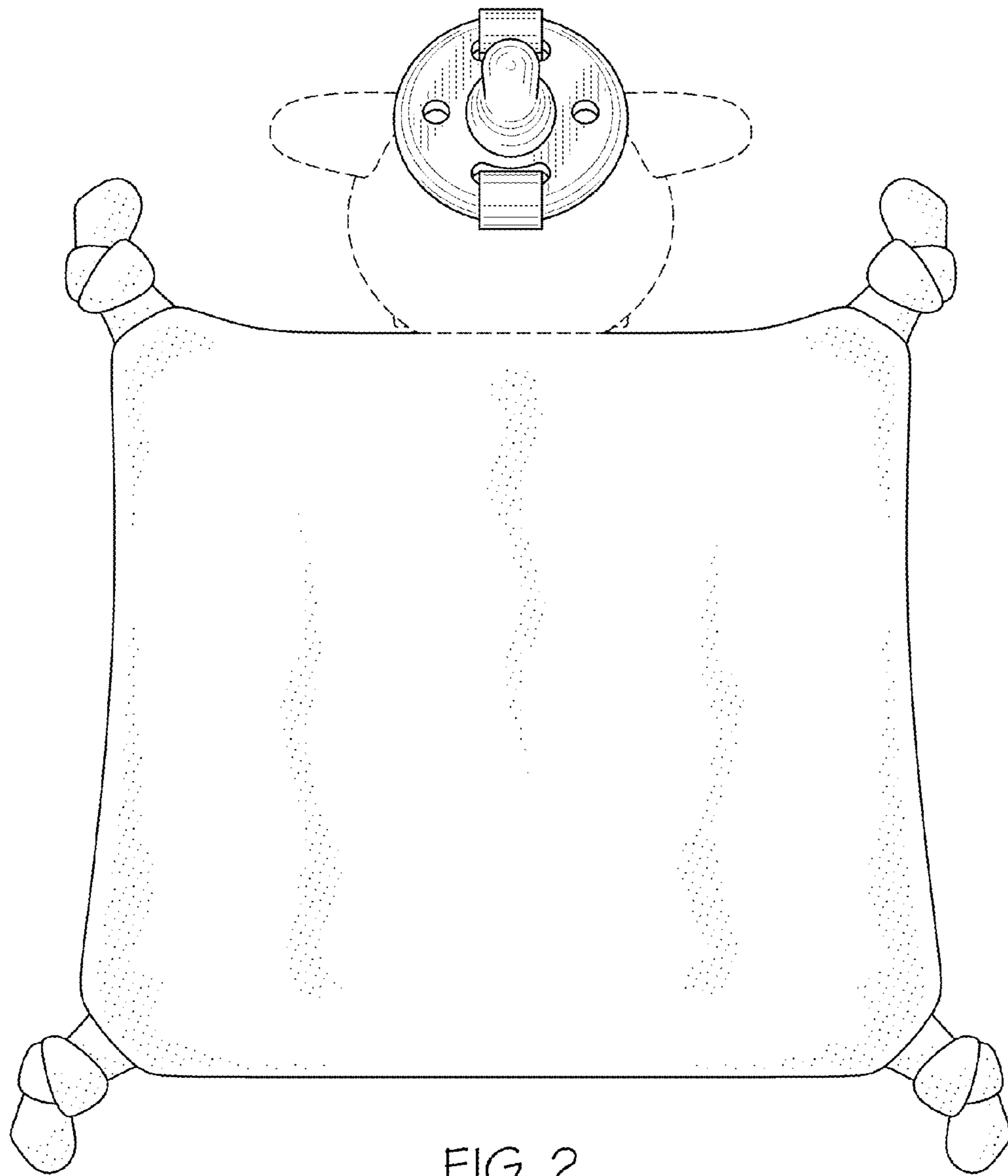


FIG. 2

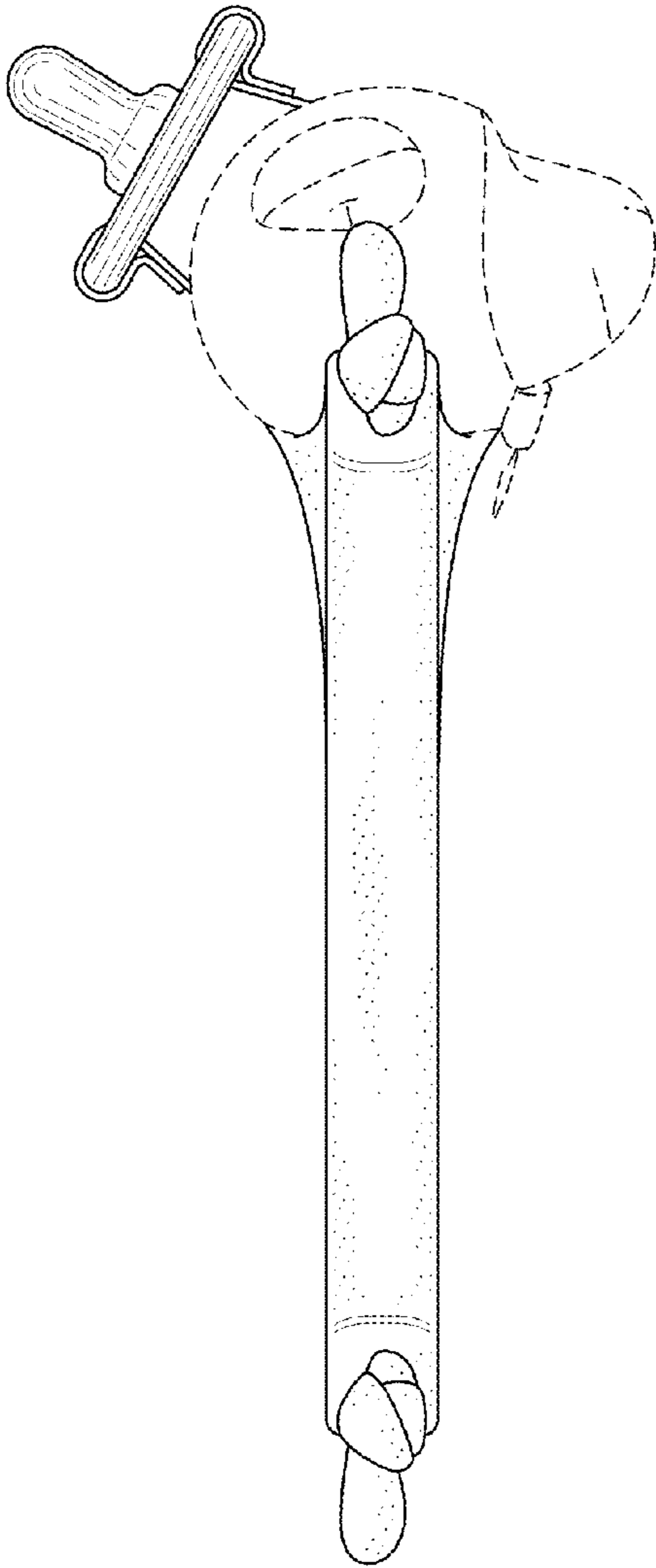


FIG. 3

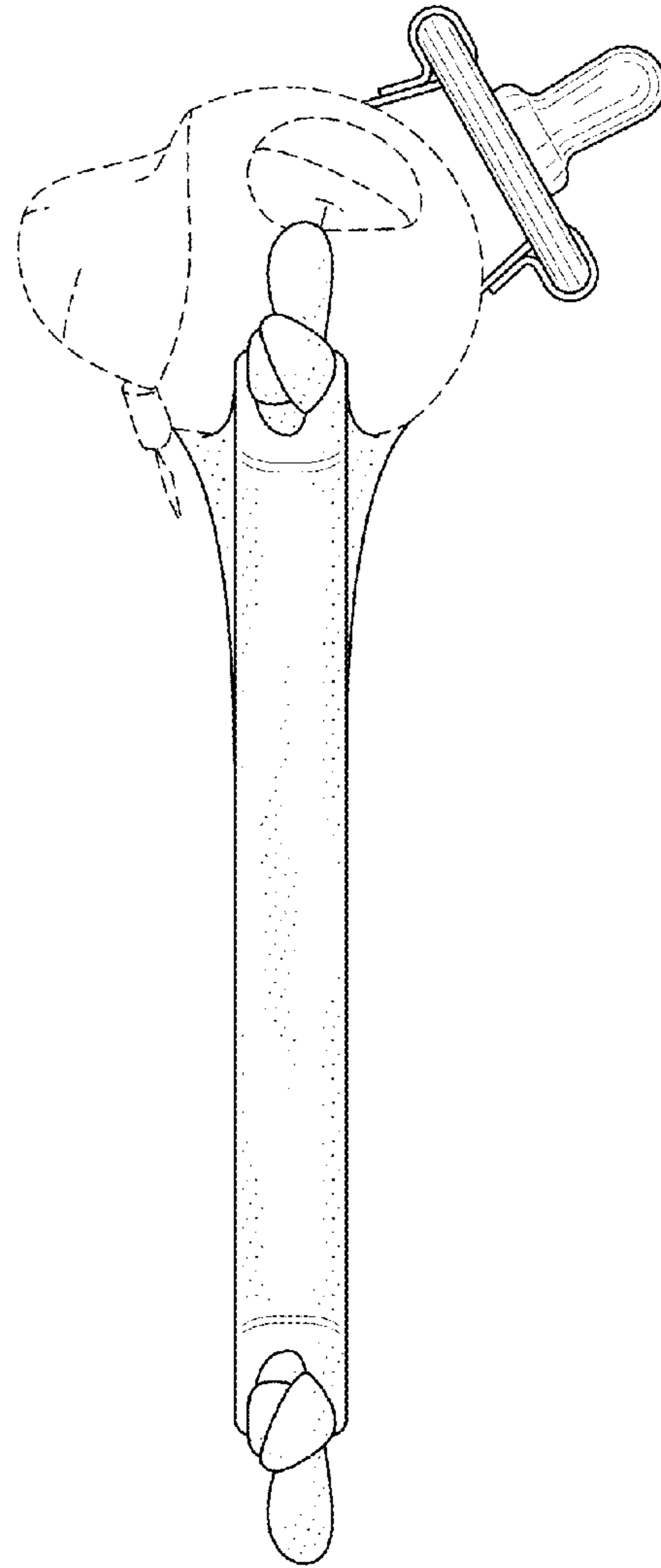


FIG. 4

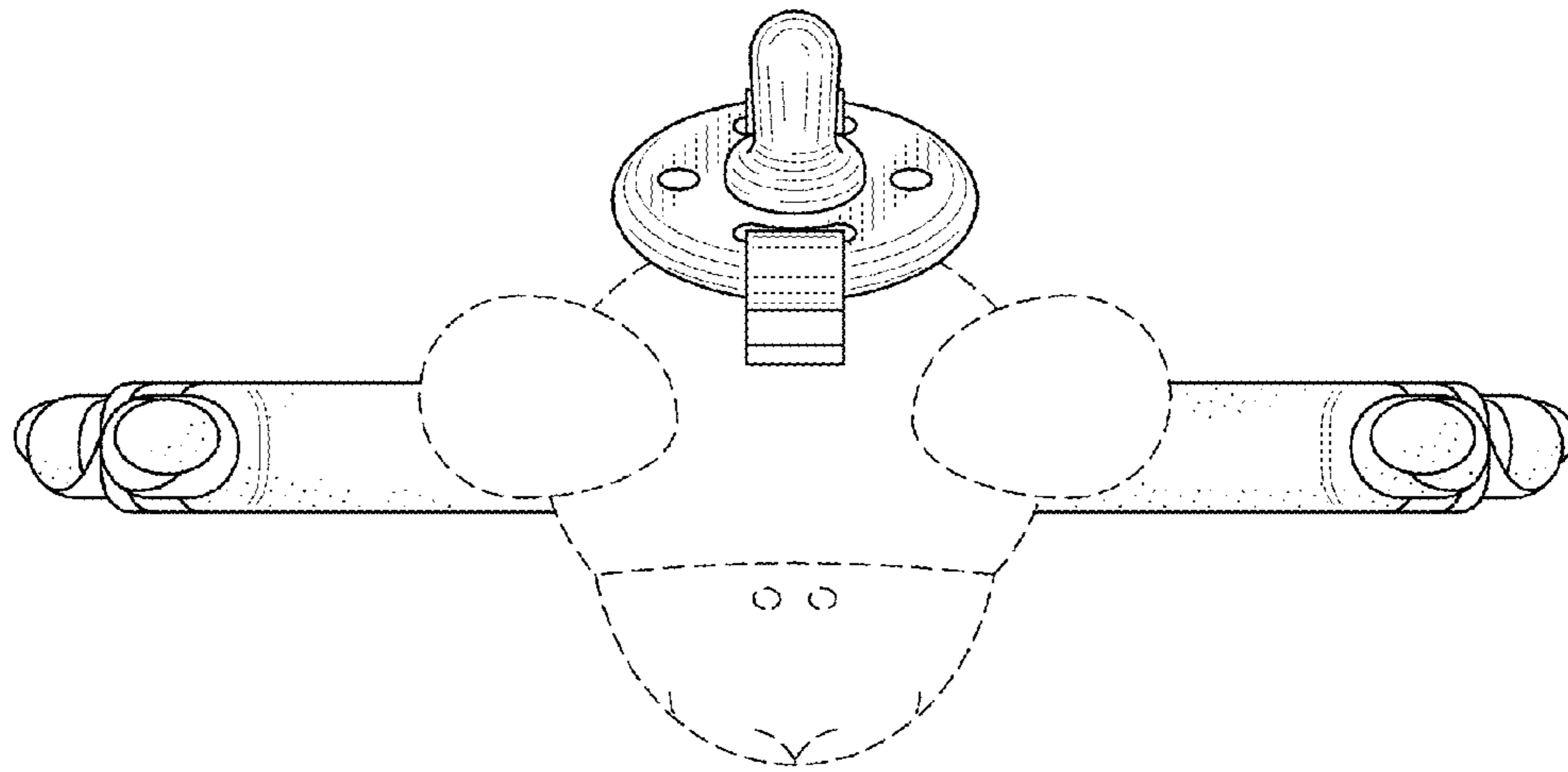


FIG. 5

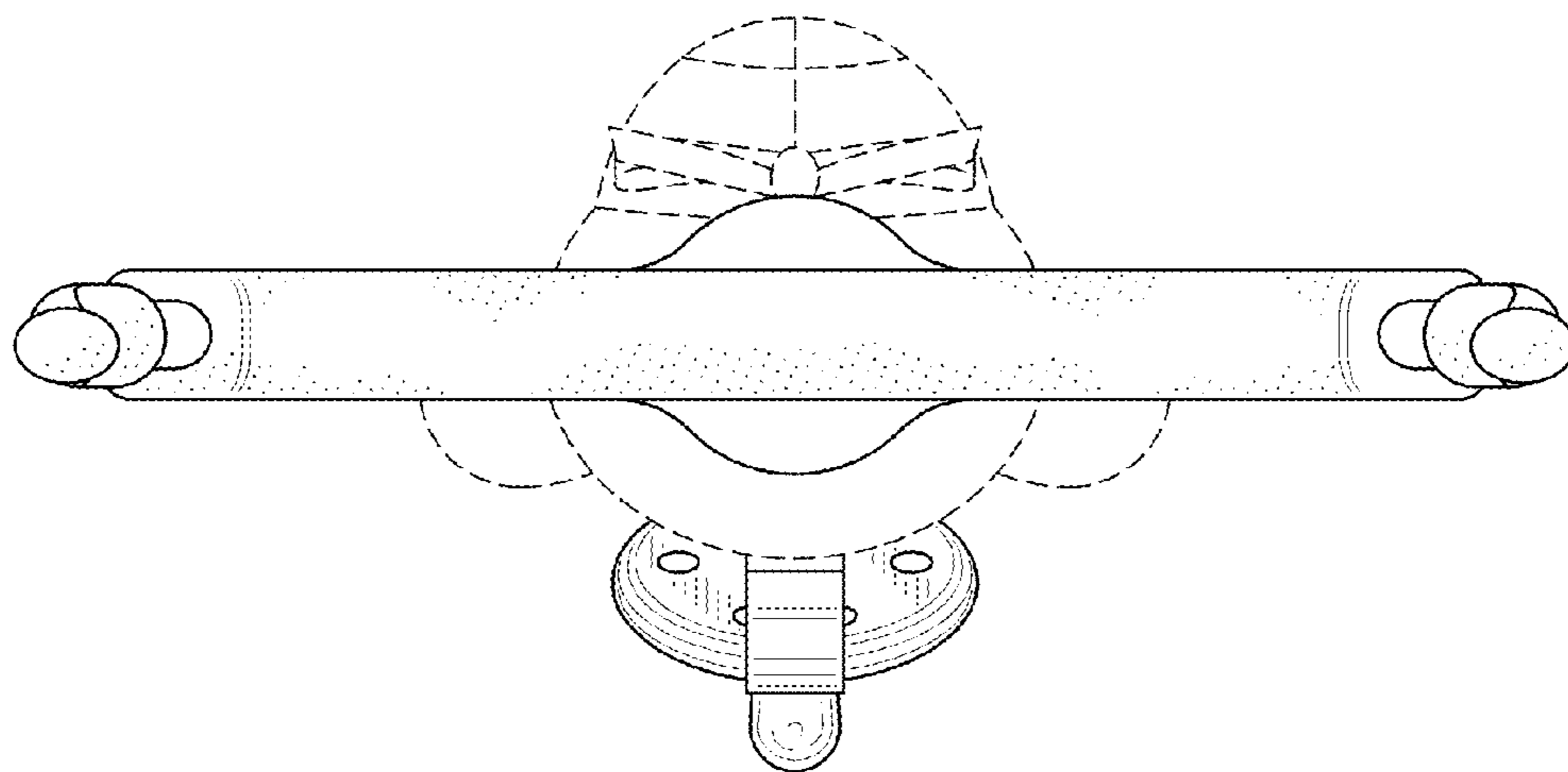


FIG. 6

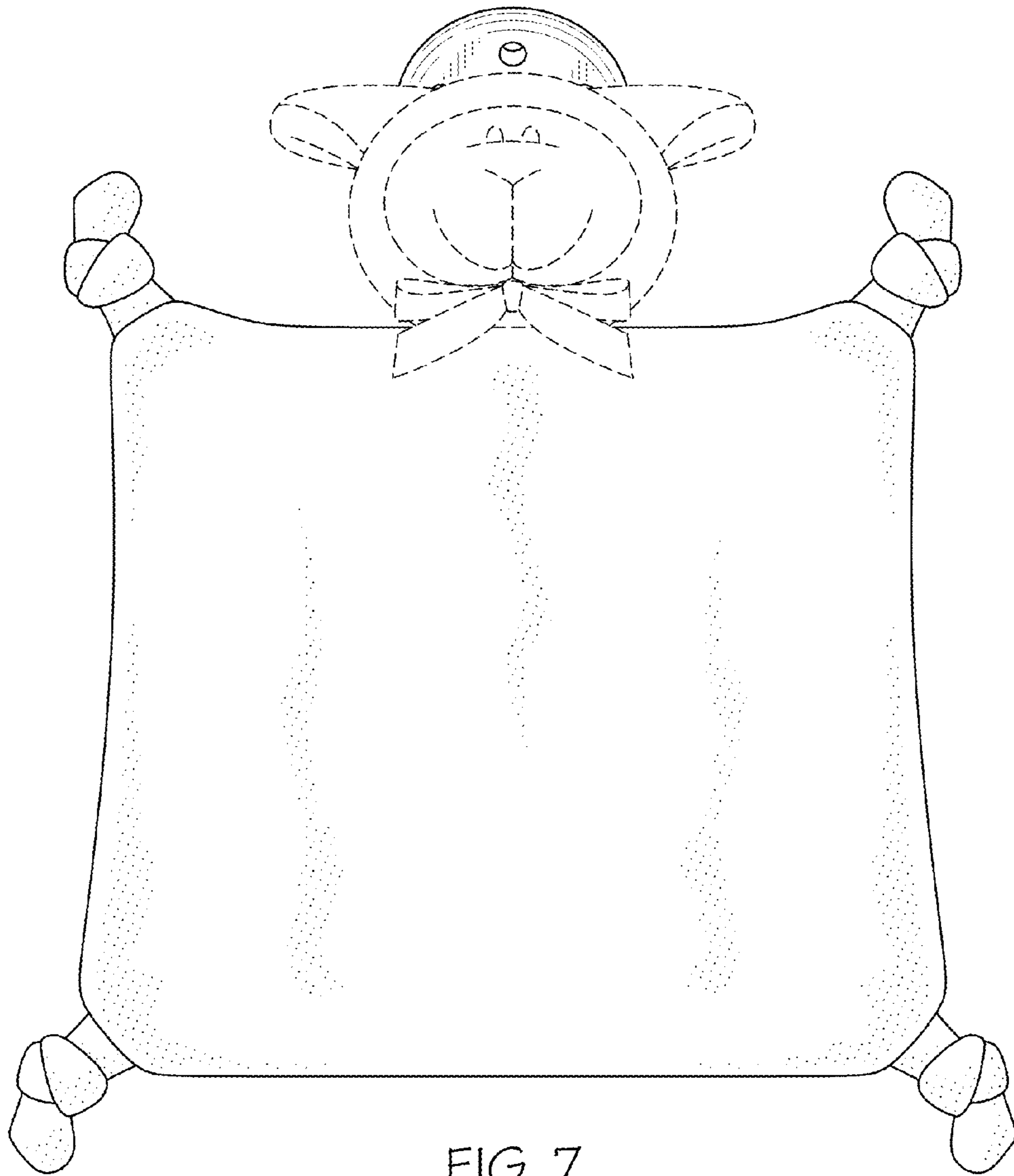


FIG. 7

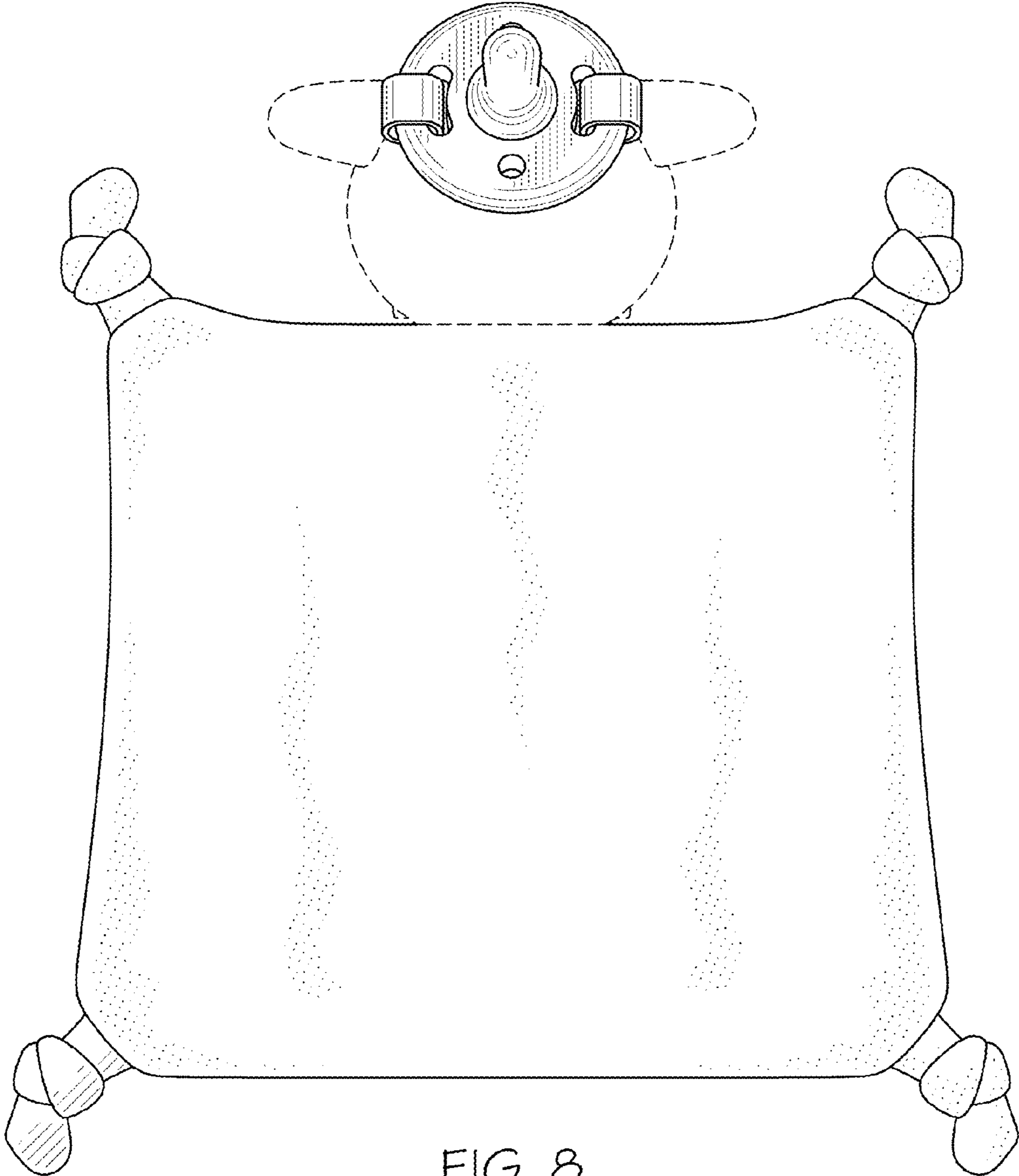


FIG. 8

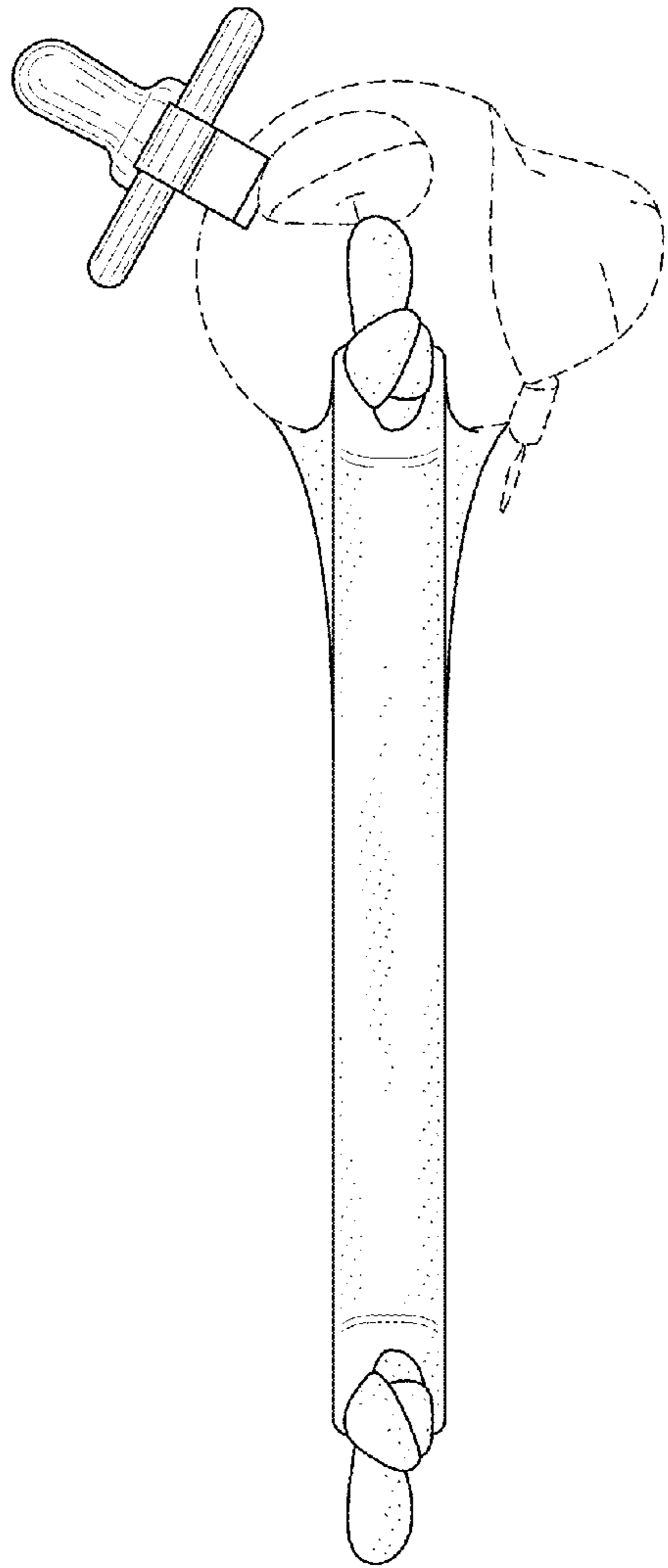


FIG. 9

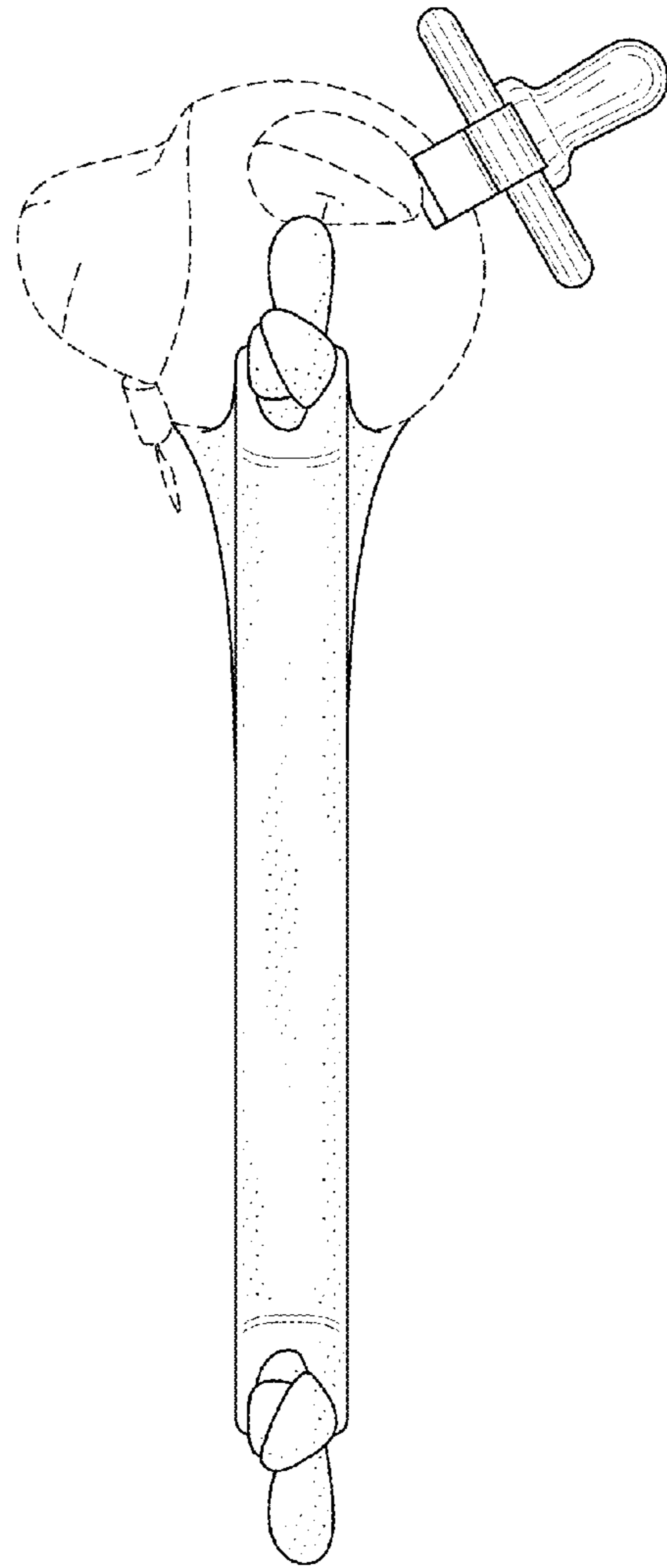


FIG. 10

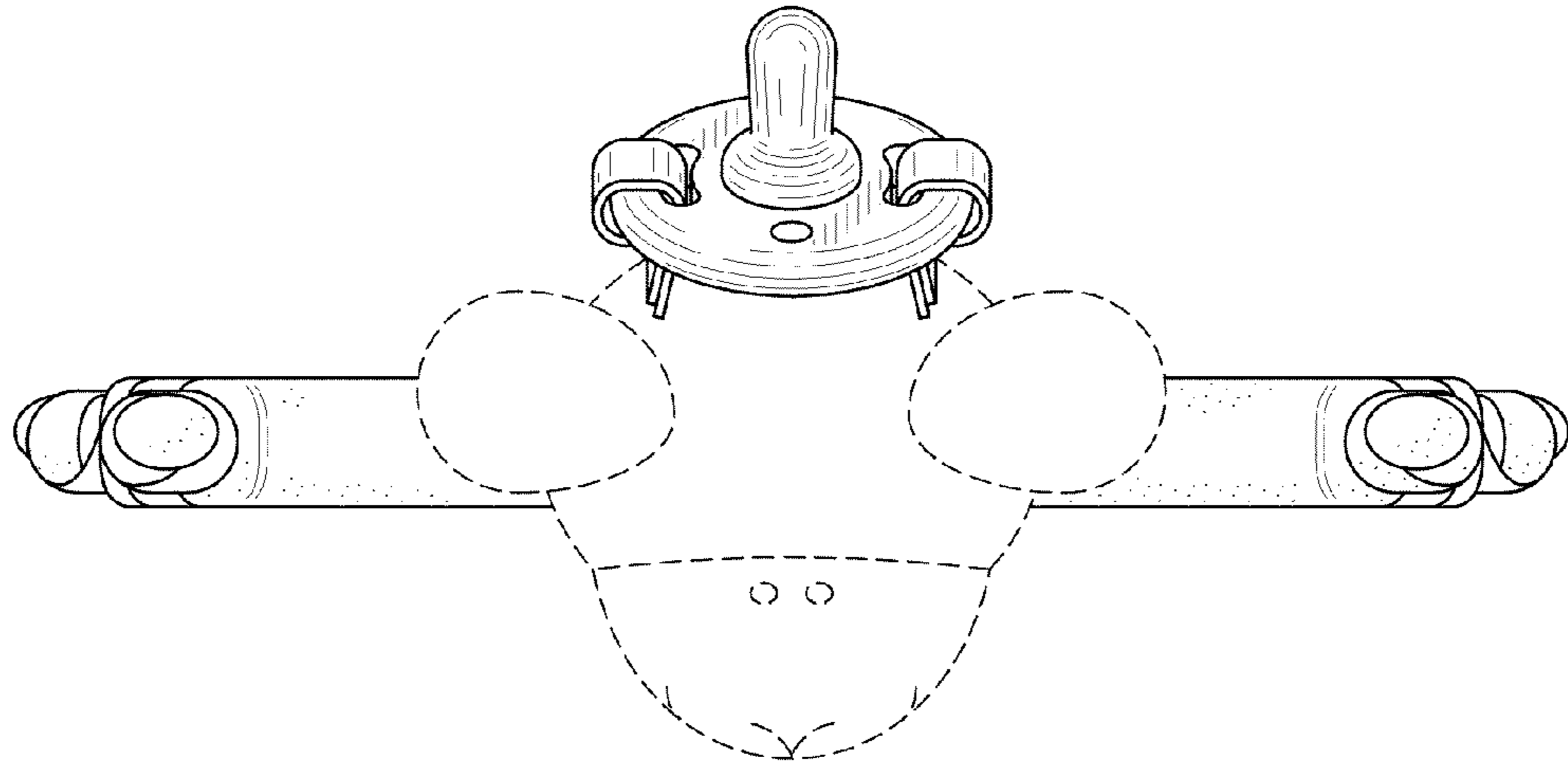


FIG. 11

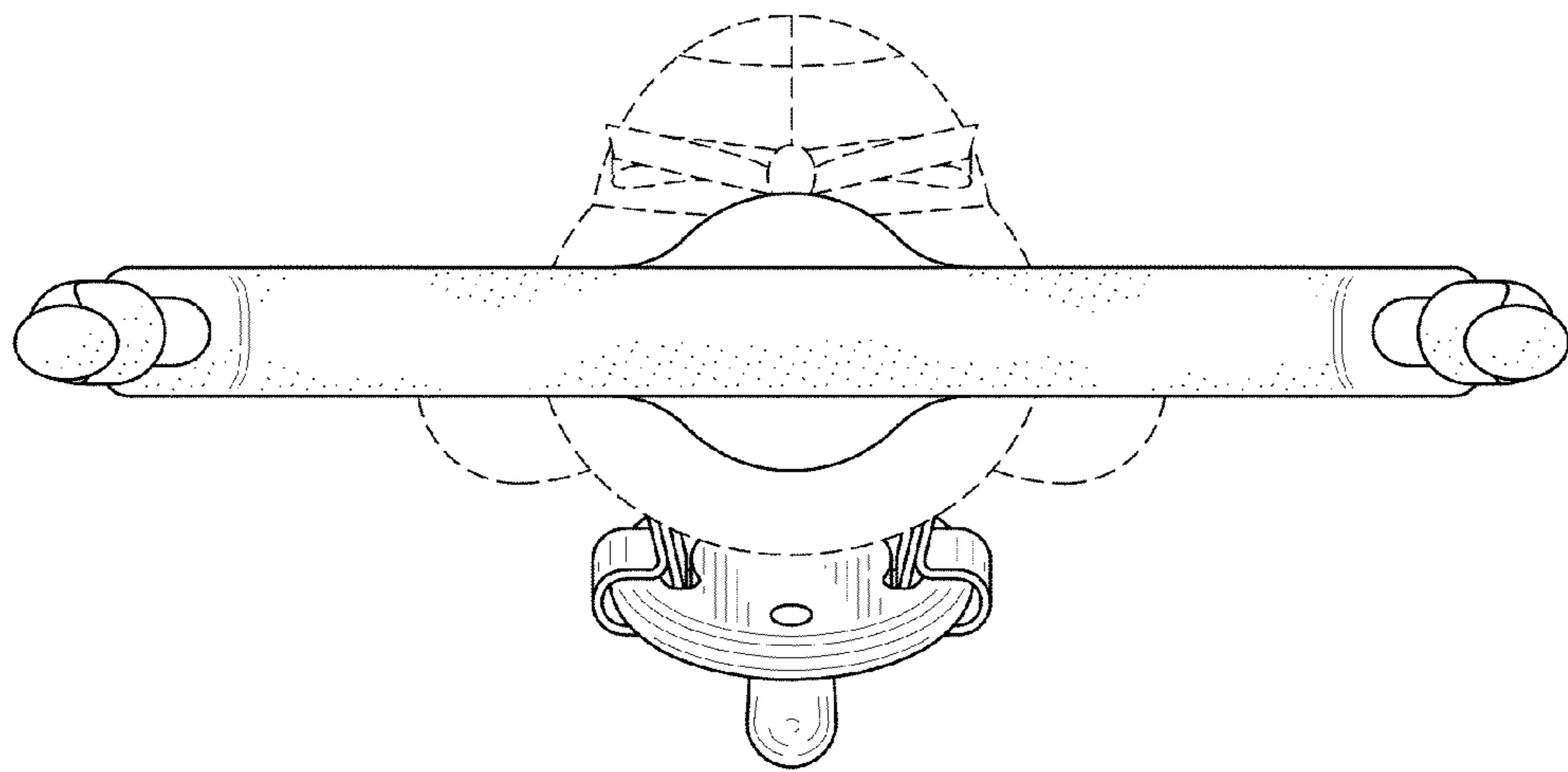


FIG. 12