



US00D688327S

(12) **United States Design Patent**
Colwell

(10) **Patent No.:** **US D688,327 S**
(45) **Date of Patent:** **** Aug. 20, 2013**

- (54) **TRAIN STATION SAND MOLD**
 - (76) Inventor: **Jennifer Colwell**, Montclair, NJ (US)
 - (**) Term: **14 Years**
 - (21) Appl. No.: **29/411,924**
 - (22) Filed: **Jan. 27, 2012**
 - (51) **LOC (9) Cl.** **21-01**
 - (52) **U.S. Cl.**
USPC **D21/472; D21/506**
 - (58) **Field of Classification Search**
USPC D21/386, 398, 468, 471, 472, 478,
D21/479, 483, 484, 485, 489, 490, 491, 493,
D21/494, 495, 506, 507, 508, 509, 511, 811,
D21/814, 815, 816, 826-828, 831; D19/35,
D19/36, 72, 80, 82, 94, 97; D15/90, 135,
D15/136; D7/593, 594, 599, 604, 606, 609,
D7/610, 613, 702, 619.2, 623, 625, 710, 628,
D7/672, 675; D9/636; D10/11, 54, 106.4;
D11/44, 48, 81, 86, 117, 121, 125, 157;
D20/29, 38; D3/271.6; D30/111, 112; D6/345,
D6/351, 358, 388, 404, 434, 450, 451, 493,
D6/497, 506, 597; D25/1-34; D26/7, 16,
D26/25, 57, 73, 94, 95, 125; D99/30, 41,
D99/42; 446/70, 76, 85-88, 93-96, 117,
446/118, 122, 146, 424, 476, 478, 475, 487;
425/276, 282, 283, 318, 439, 440, 442, 457,
425/458, 469, DIG. 57, DIG. 125; 249/117,
249/119, 121, 133, 137, 140, 142, 160, 163,
249/165-172
- See application file for complete search history.

- 1,248,532 A * 12/1917 Noyes 425/317
- 1,639,934 A * 8/1927 Ferring 249/165
- D166,071 S * 3/1952 Butzko D21/509
- 2,589,588 A * 3/1952 Winnemore 446/85
- D177,460 S * 4/1956 Di Stasi D21/509
- D220,048 S * 3/1971 Reading D21/472
- 3,691,672 A * 9/1972 Pendill 446/70
- D246,064 S * 10/1977 Koblick D21/472
- D271,593 S * 11/1983 Stone et al. D21/472

(Continued)

FOREIGN PATENT DOCUMENTS

- WO D038124-001 * 1/1997
- WO D038124-004 * 1/1997
- WO D067320-002 * 2/2006

Primary Examiner — Catherine Tuttle

(74) *Attorney, Agent, or Firm* — Michael J. Feigin, Esq.;
Feigin & Associates, LLC

(57) **CLAIM**

The ornamental design for the train station sand mold, as shown and described.

DESCRIPTION

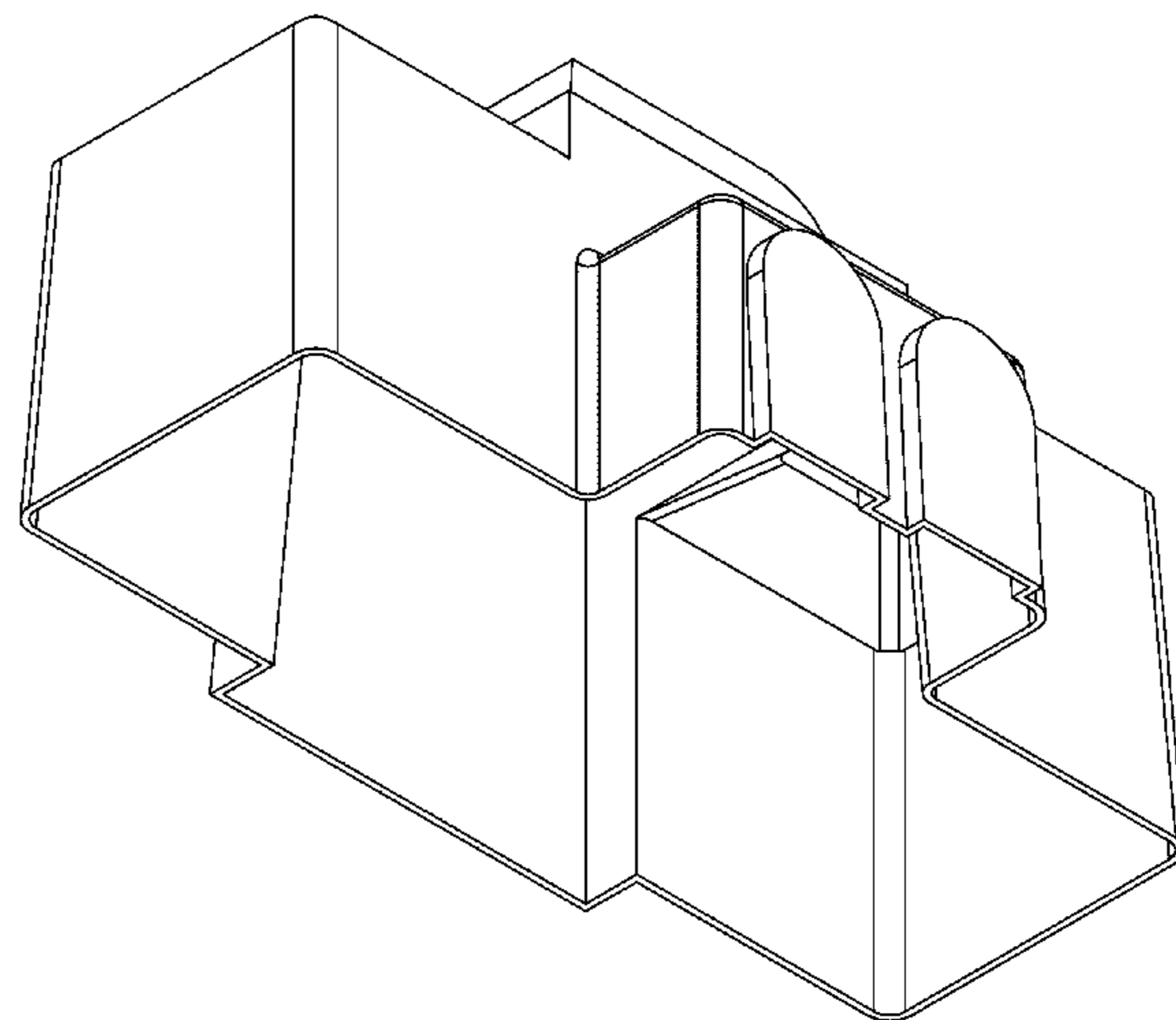
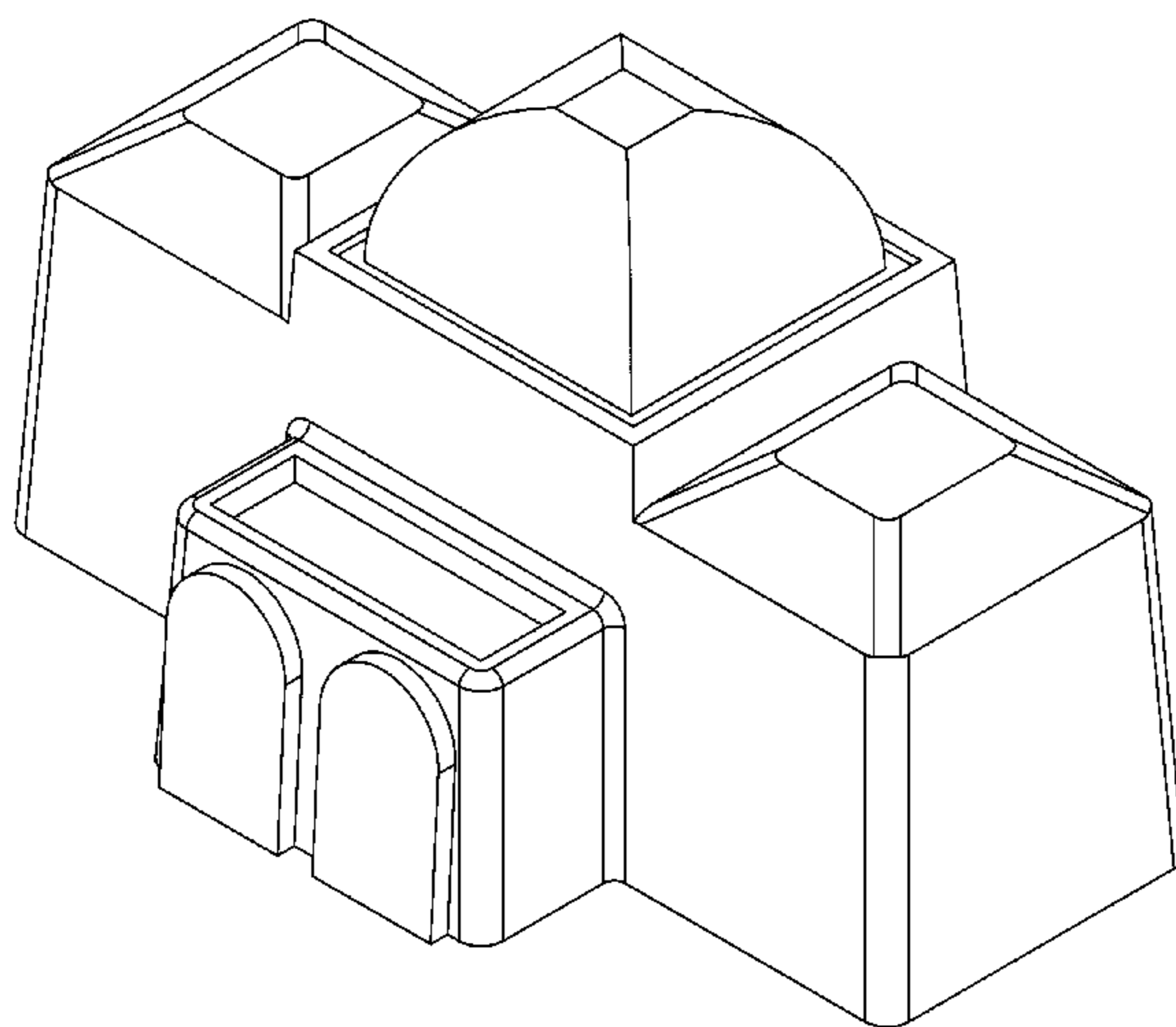
- FIG. 1 shows a front elevation view of the train station sand mold embodying my new design.
- FIG. 2 shows a elevation view thereof.
- FIG. 3 shows a right side elevation view thereof, the opposite side being a mirror image thereof.
- FIG. 4 shows a top plan view thereof.
- FIG. 5 shows a bottom plan view thereof.
- FIG. 6 shows a top, front and left perspective view thereof.
- FIG. 7 shows a bottom, front and right perspective view thereof.
- FIG. 8 shows a top, back and right perspective view thereof; and,
- FIG. 9 shows a bottom back and left perspective view thereof.

(56) **References Cited**

U.S. PATENT DOCUMENTS

- D30,076 S * 1/1899 Williams D99/41
- D38,444 S * 2/1907 Liggett D20/19

1 Claim, 9 Drawing Sheets



US D688,327 S

Page 2

(56)

References Cited

D372,056 S * 7/1996 Norton D21/510
7,371,148 B2 * 5/2008 Marine et al. 446/476

U.S. PATENT DOCUMENTS

5,460,561 A * 10/1995 Dahlgren 446/117 * cited by examiner

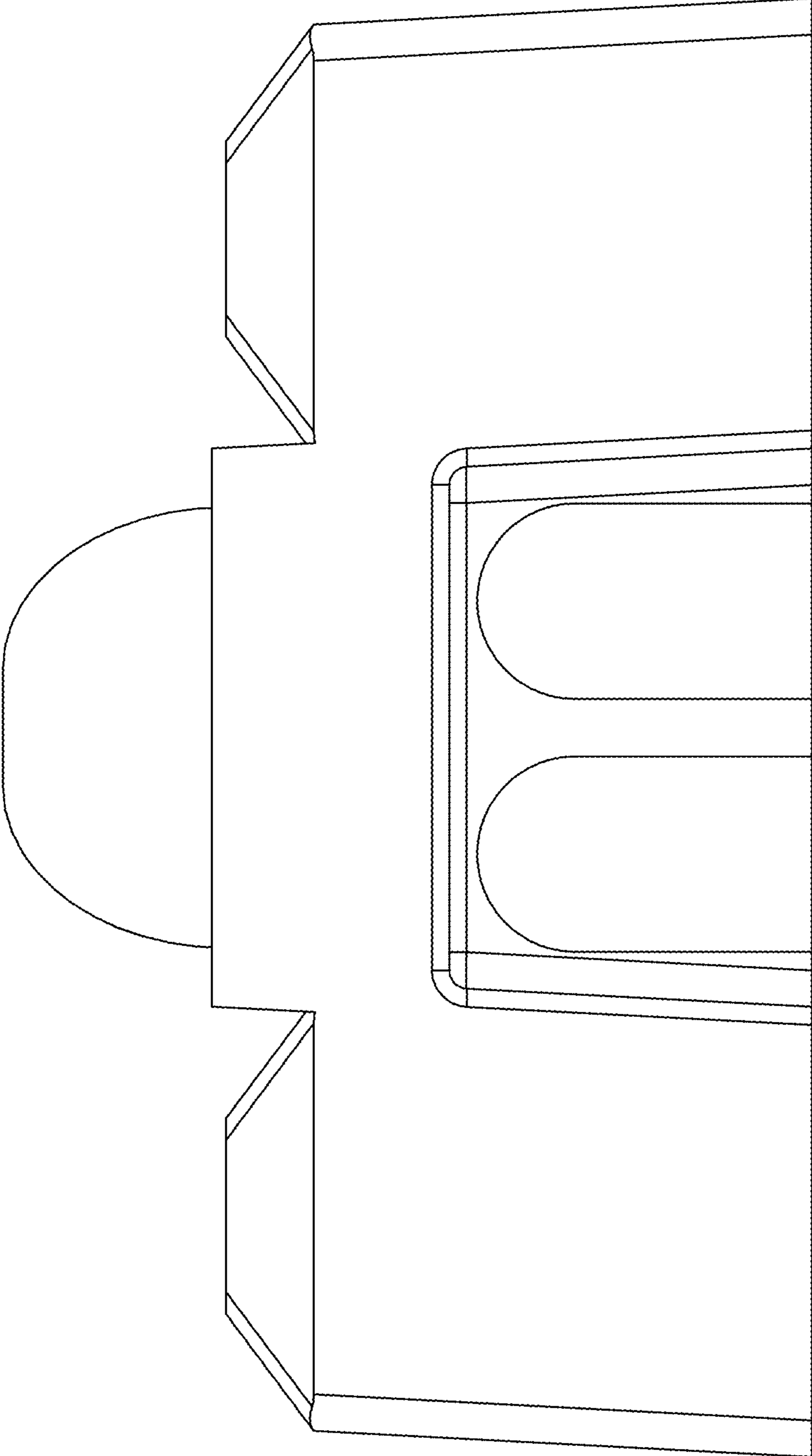


Fig 1

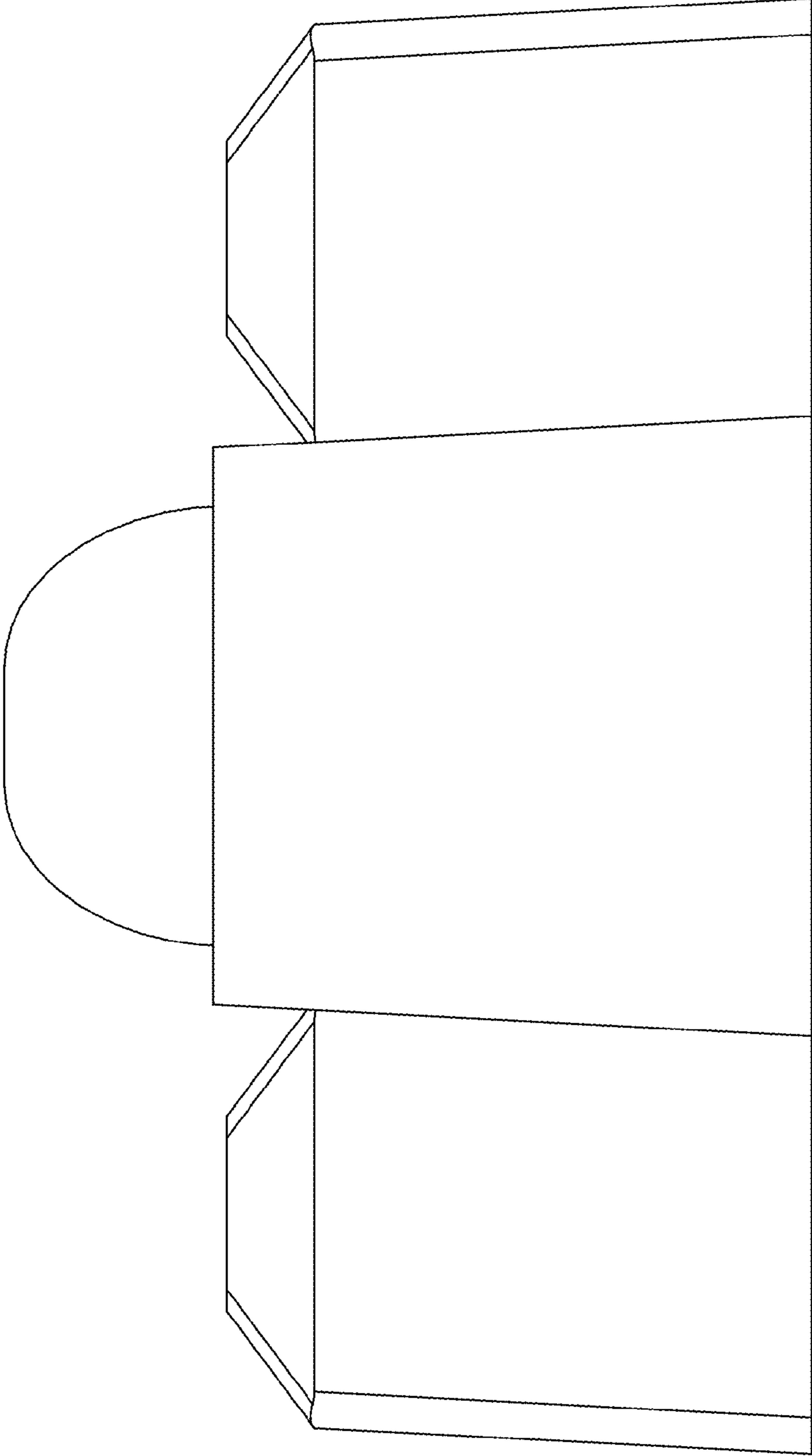


Fig 2

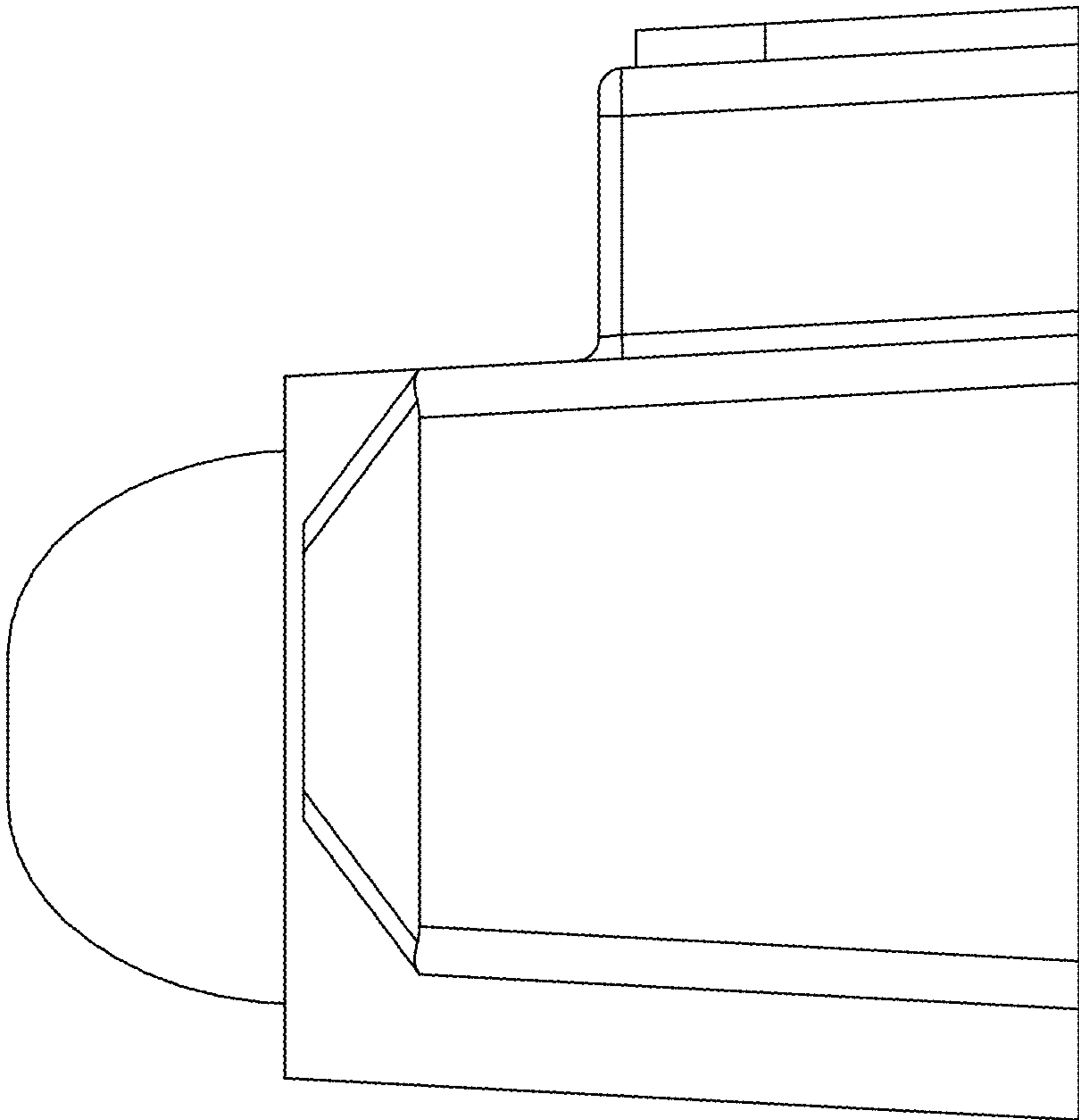


Fig 3

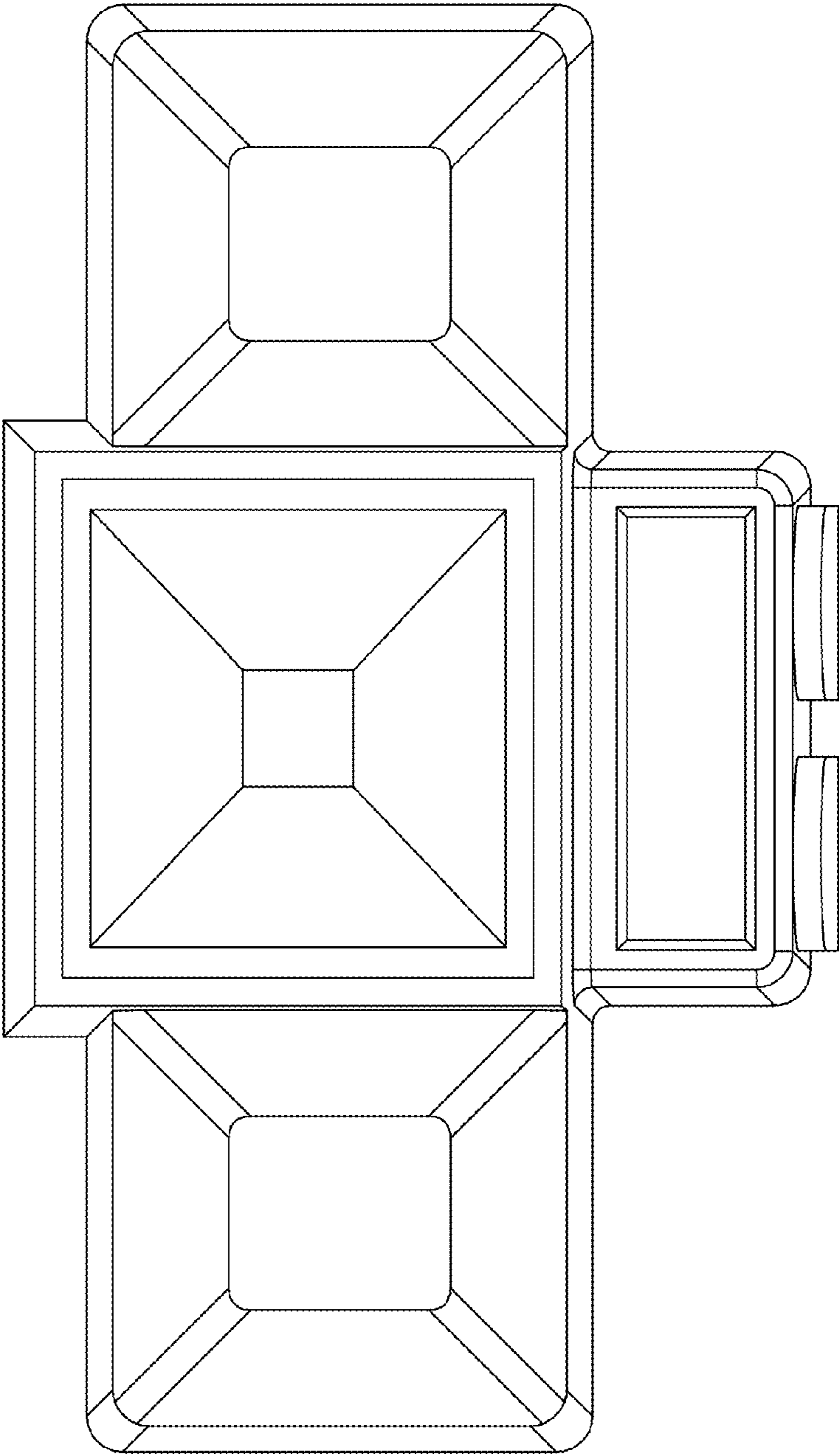


Fig 4

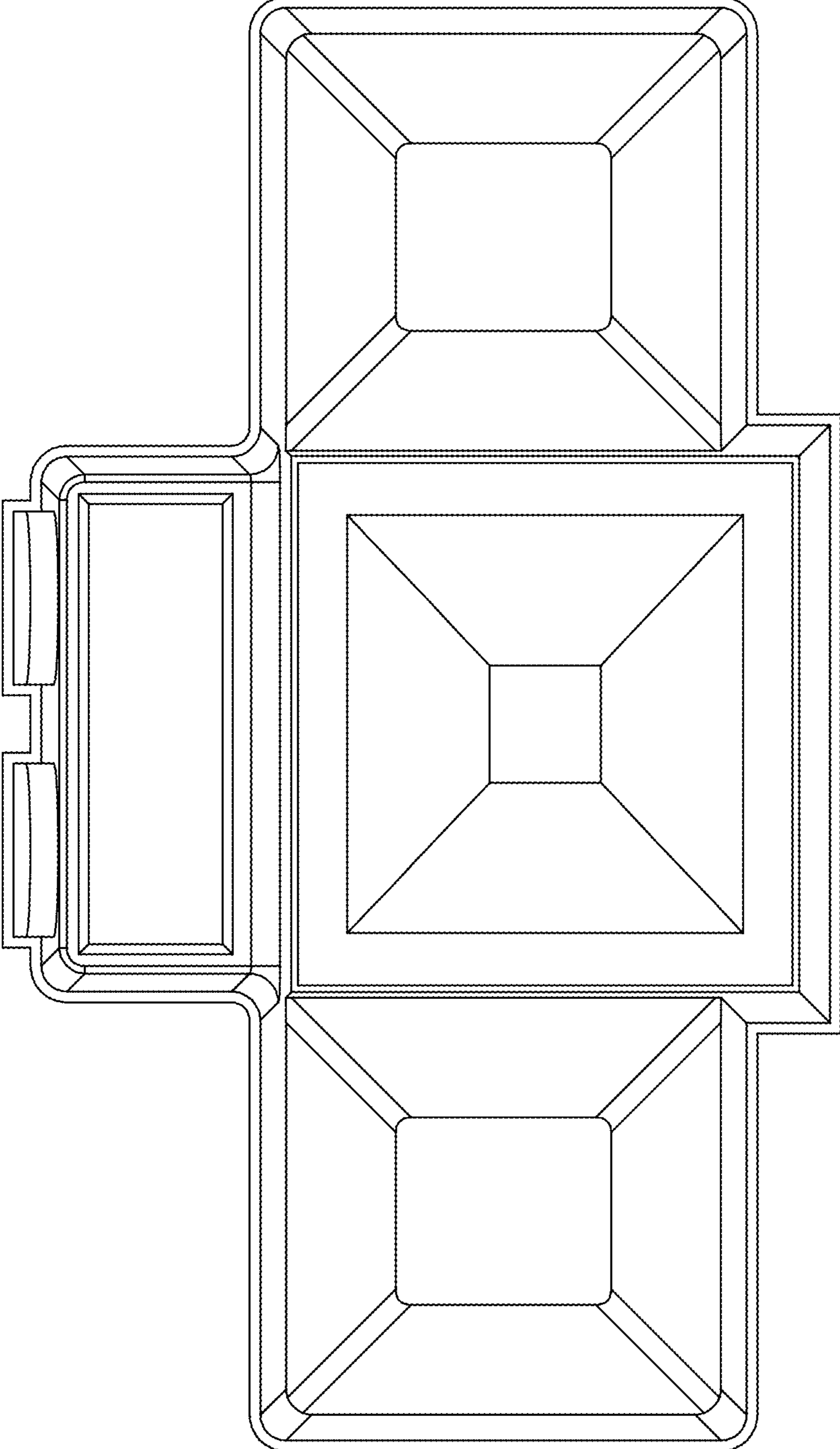


Fig 5

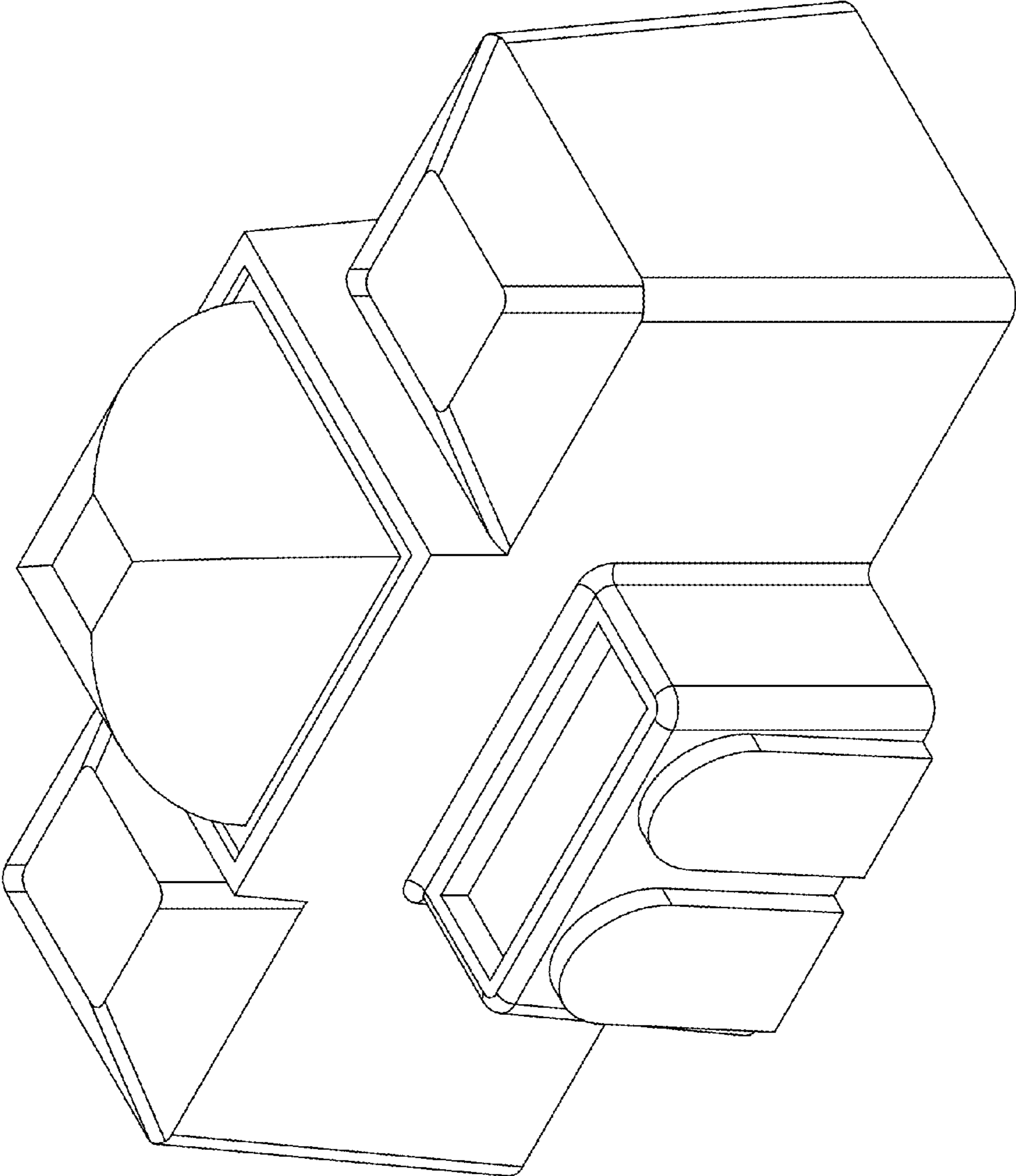


Fig 6

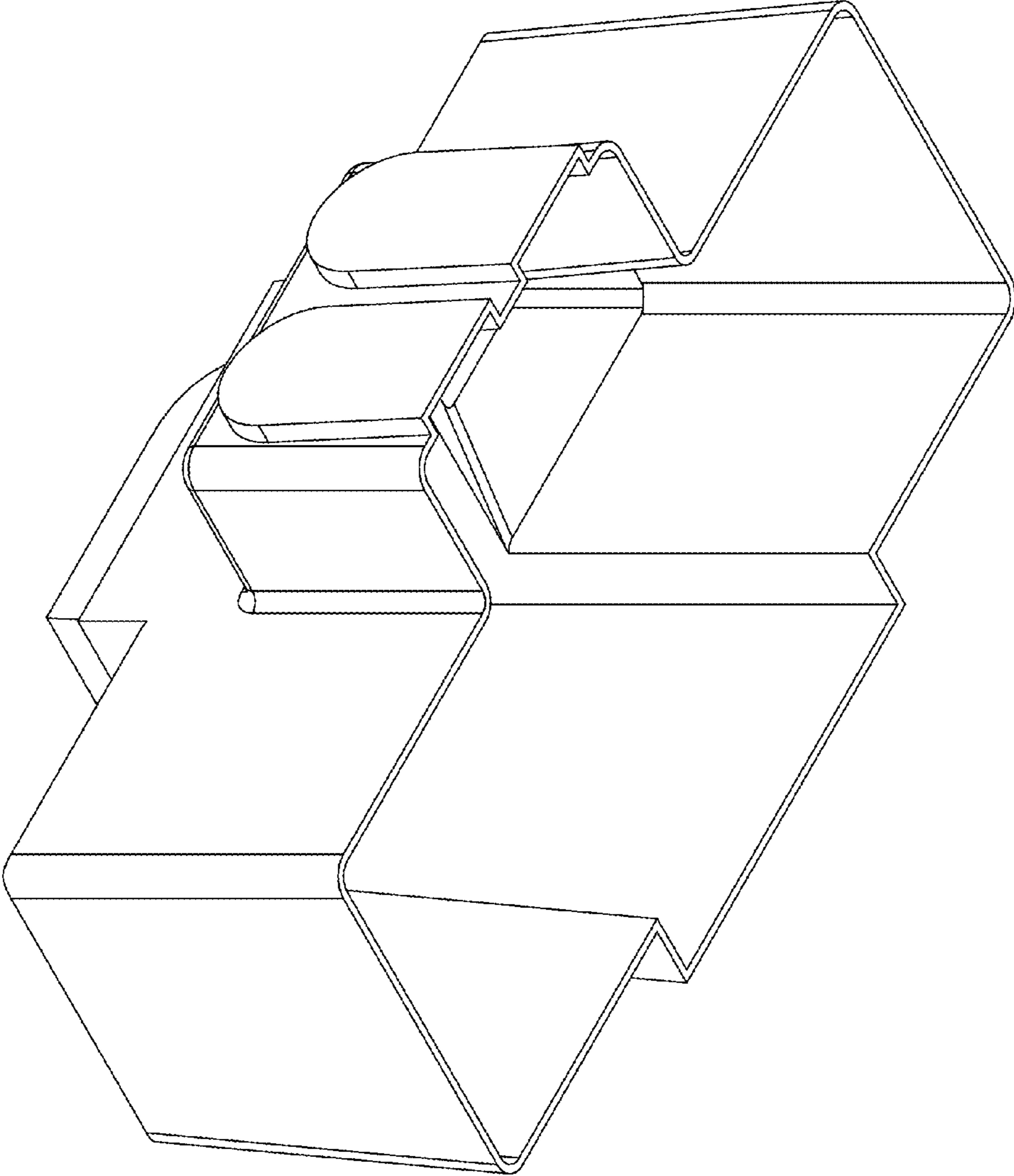


FIG 7

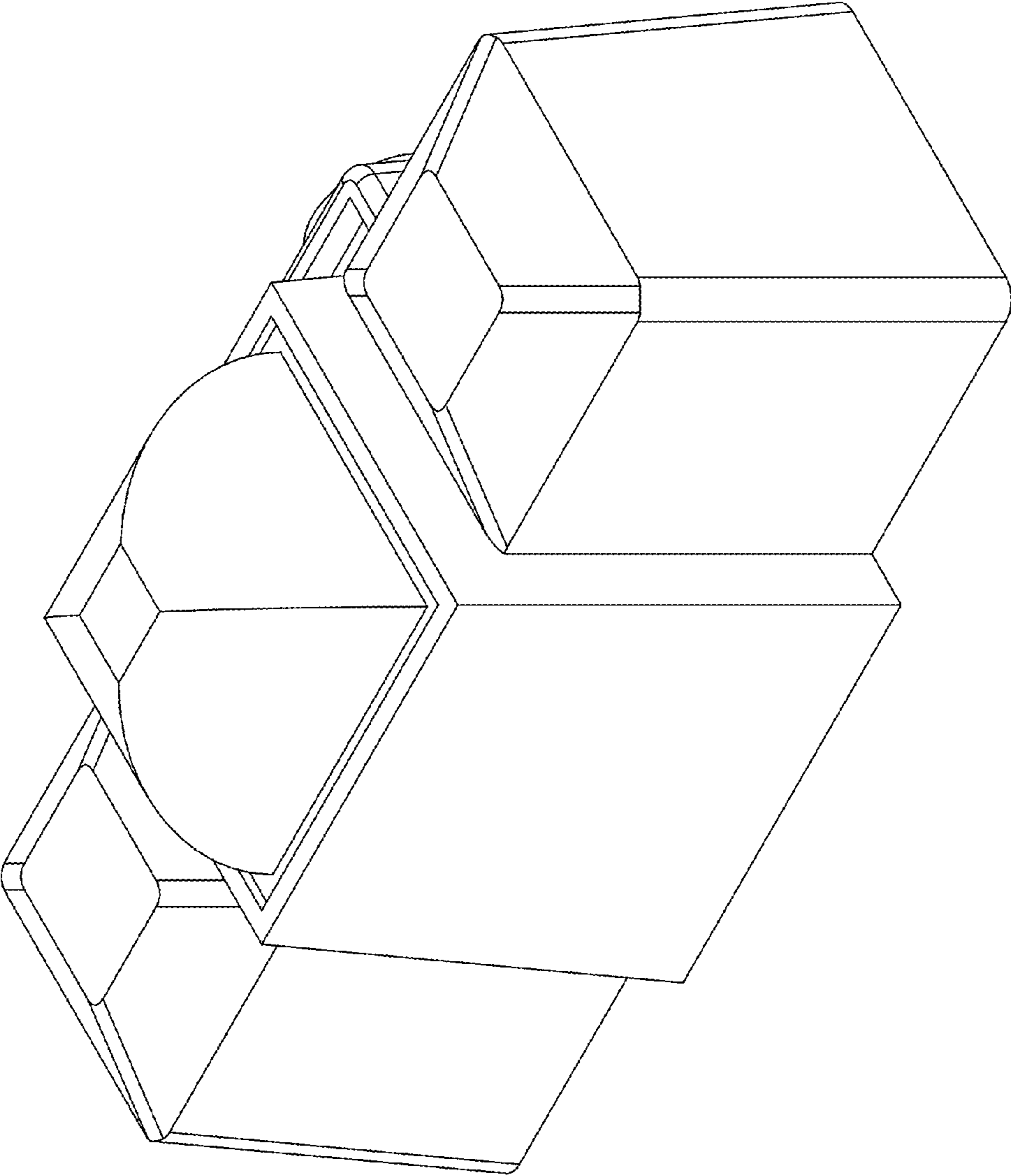


Fig 8

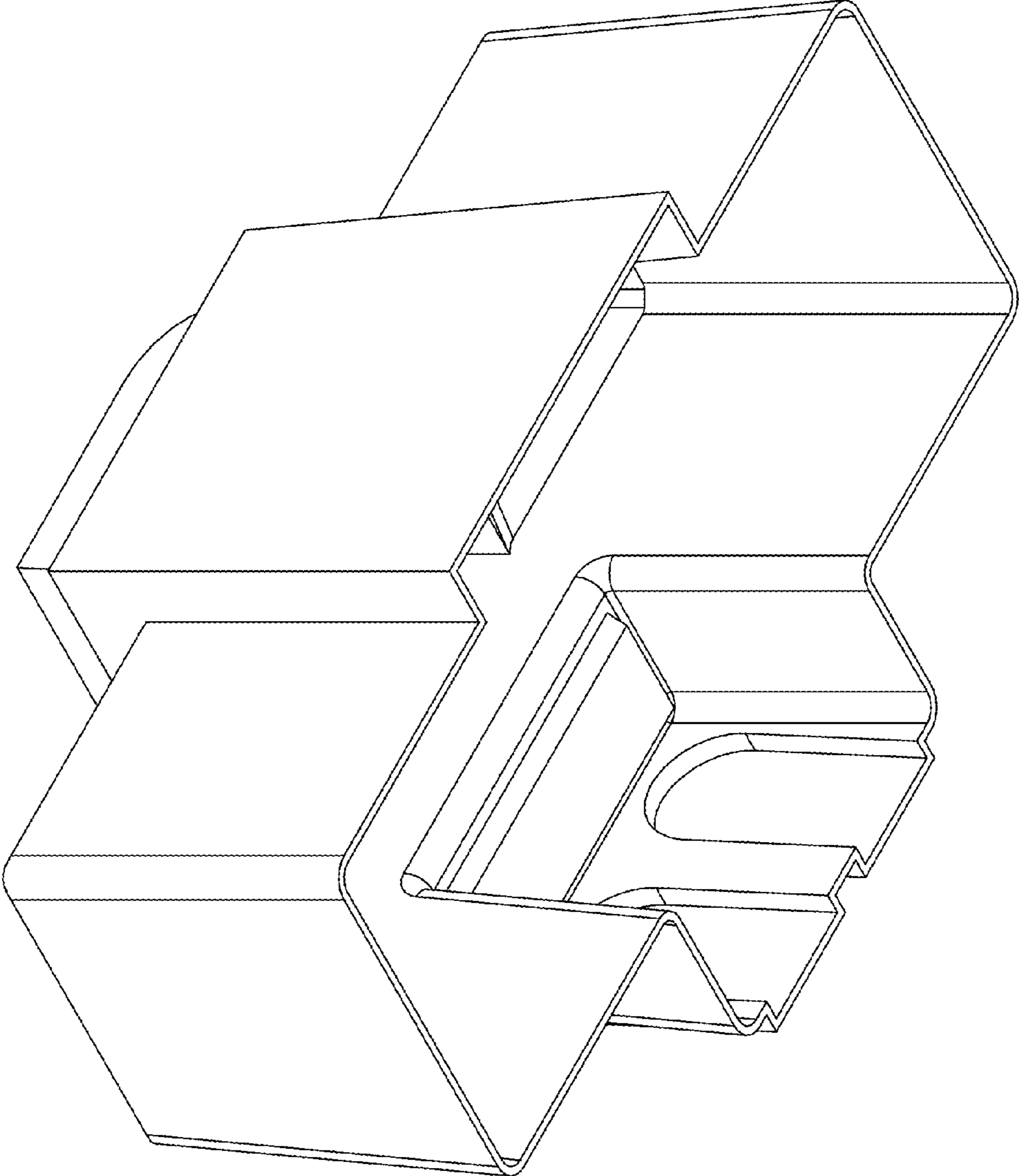


Fig 9