



US00D688324S

(12) **United States Design Patent**
Colwell

(10) **Patent No.:** **US D688,324 S**

(45) **Date of Patent:** **** Aug. 20, 2013**

(54) **TRAIN SAND MOLD**

(76) Inventor: **Jennifer Colwell**, Montclair, NJ (US)

(**) Term: **14 Years**

(21) Appl. No.: **29/411,915**

(22) Filed: **Jan. 27, 2012**

(51) **LOC (9) Cl.** **21-01**

(52) **U.S. Cl.**

USPC **D21/472**

(58) **Field of Classification Search**

USPC D21/386, 398, 424–427, 431, 433,
D21/434, 468, 471, 472, 478, 479, 483, 484,
D21/493, 495, 533–537, 540, 541, 548–562,
D21/811, 814, 815, 816, 826–828, 831, 833;
D19/35, 36, 72, 80, 82, 94, 97; D15/90,
D15/135, 136; D7/593, 594, 599, 604, 606,
D7/609, 610, 613, 702, 619.2, 623, 625, 710,
D7/628, 672, 675; D9/672, 675–677; D10/12,
D10/54, 106.4; D11/44, 48, 72, 81, 86, 117,
D11/121, 125, 157, 163; D20/29, 35;
D3/271.11, 271.12; D6/345, 351, 358, 388,
D6/404, 434, 450, 451, 493, 497, 506, 597;
D26/7, 16, 25, 57, 73, 94, 97, 125; D99/30,
D99/42; 446/70, 76, 85–88, 93–96, 117,
446/118, 122, 424, 487; 425/276, 282, 283,
425/318, 439, 440, 442, 457, 458, 469, DIG. 57,
425/DIG. 125; 249/117, 119, 121, 133, 137,
249/140, 142, 160, 163, 165–172; 472/126

See application file for complete search history.

(56) **References Cited**

U.S. PATENT DOCUMENTS

1,248,532	A	*	12/1917	Noyes	425/317
D220,048	S	*	3/1971	Reading	D21/472
D246,064	S	*	10/1977	Koblick	D21/472
D265,708	S	*	8/1982	O'Dell	D7/354
D271,593	S	*	11/1983	Stone et al.	D21/472
D289,537	S	*	4/1987	Leung	D21/541
D312,487	S	*	11/1990	Weiland	D21/540
D317,636	S	*	6/1991	Mayuzumi	D21/472
D317,638	S	*	6/1991	Mayuzumi	D21/472
D333,761	S	*	3/1993	Dicochea	D7/675
D351,447	S	*	10/1994	Barnes	D21/541
D353,413	S	*	12/1994	Hamlin	D21/433
5,460,561	A	*	10/1995	Dahlgren	446/117
D402,546	S	*	12/1998	Massing	D9/676

* cited by examiner

Primary Examiner — Catherine Tuttle

(74) *Attorney, Agent, or Firm* — Michael J. Feigin, Esq.;
Feigin & Associates, LLC

(57) **CLAIM**

The ornamental design for the train sand mold, as shown and described.

DESCRIPTION

FIG. 1 shows a side elevation view of the train sand mold embodying my new design, the opposite side being a mirror image thereof.

FIG. 2 shows an end elevation view thereof.

FIG. 3 shows the end elevation view opposite to FIG. 3.

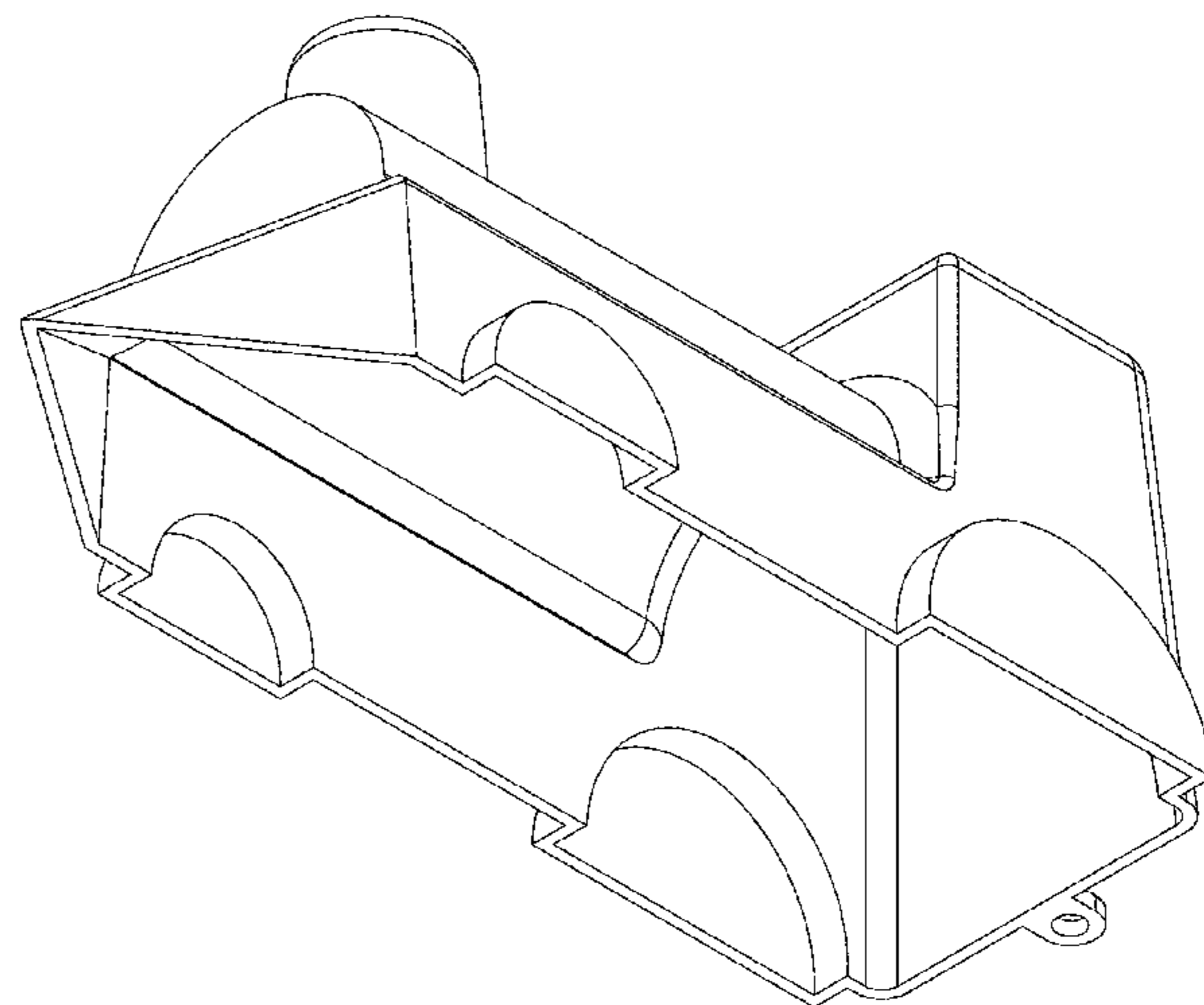
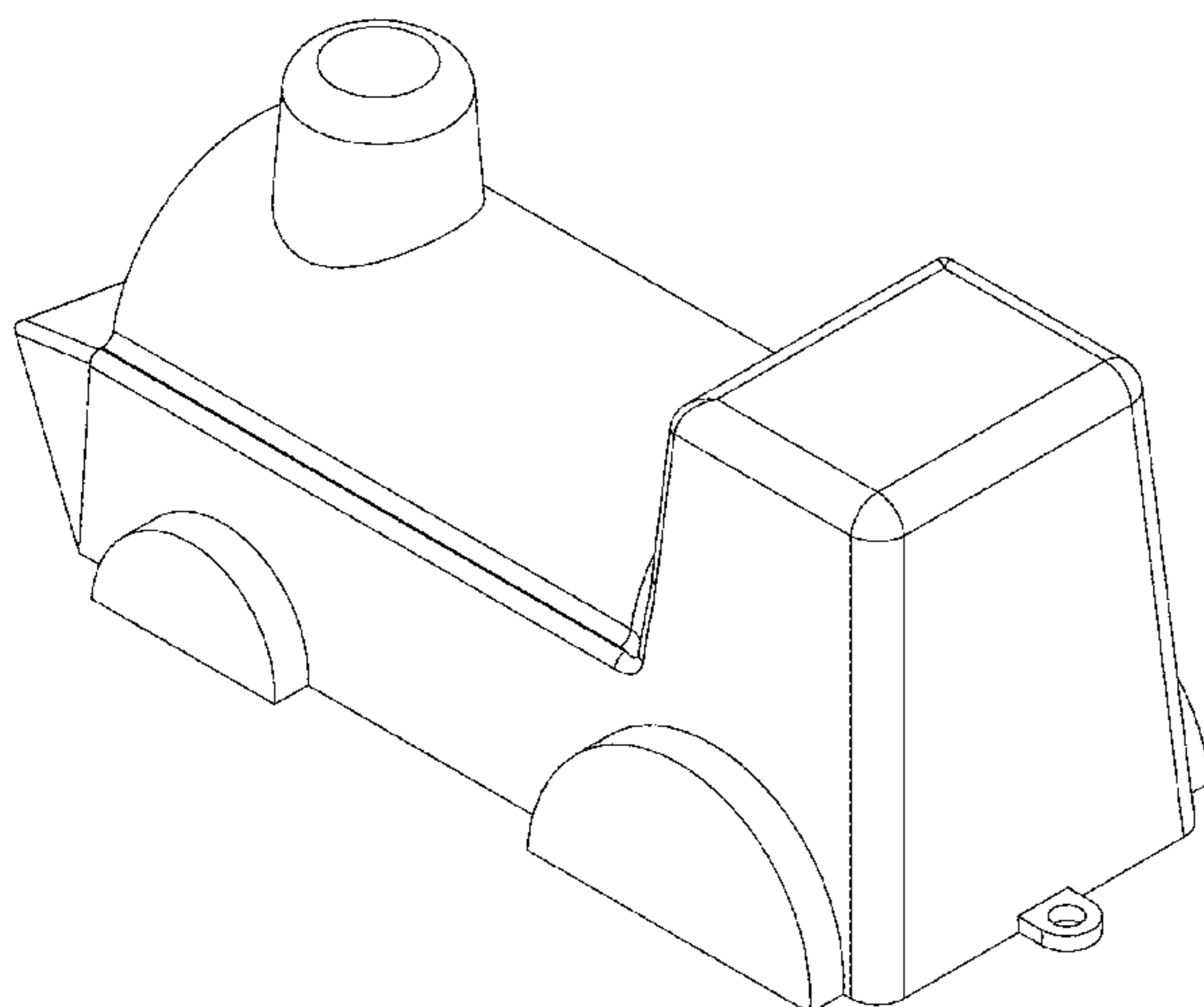
FIG. 4 shows a top plan view thereof.

FIG. 5 shows a bottom plan view thereof.

FIG. 6 shows a top, side and end perspective view thereof; and,

FIG. 7 shows a bottom, side and end perspective view thereof.

1 Claim, 7 Drawing Sheets



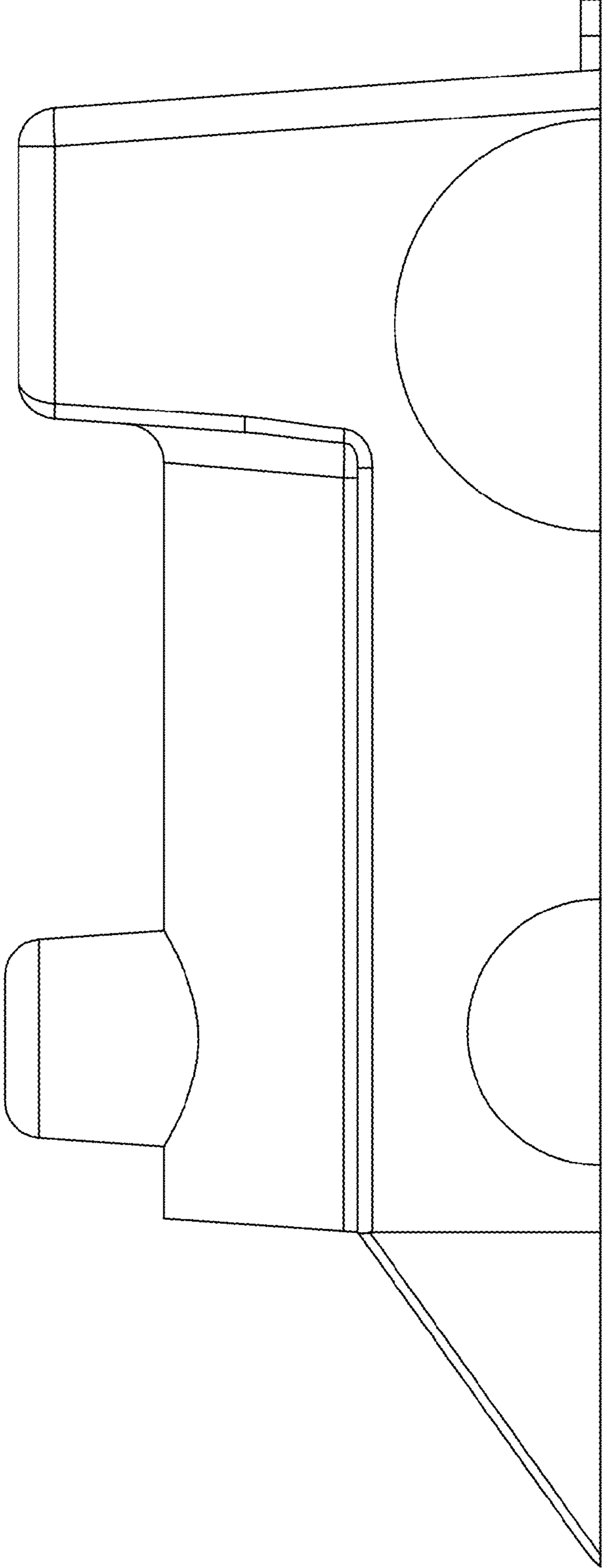


Fig 1

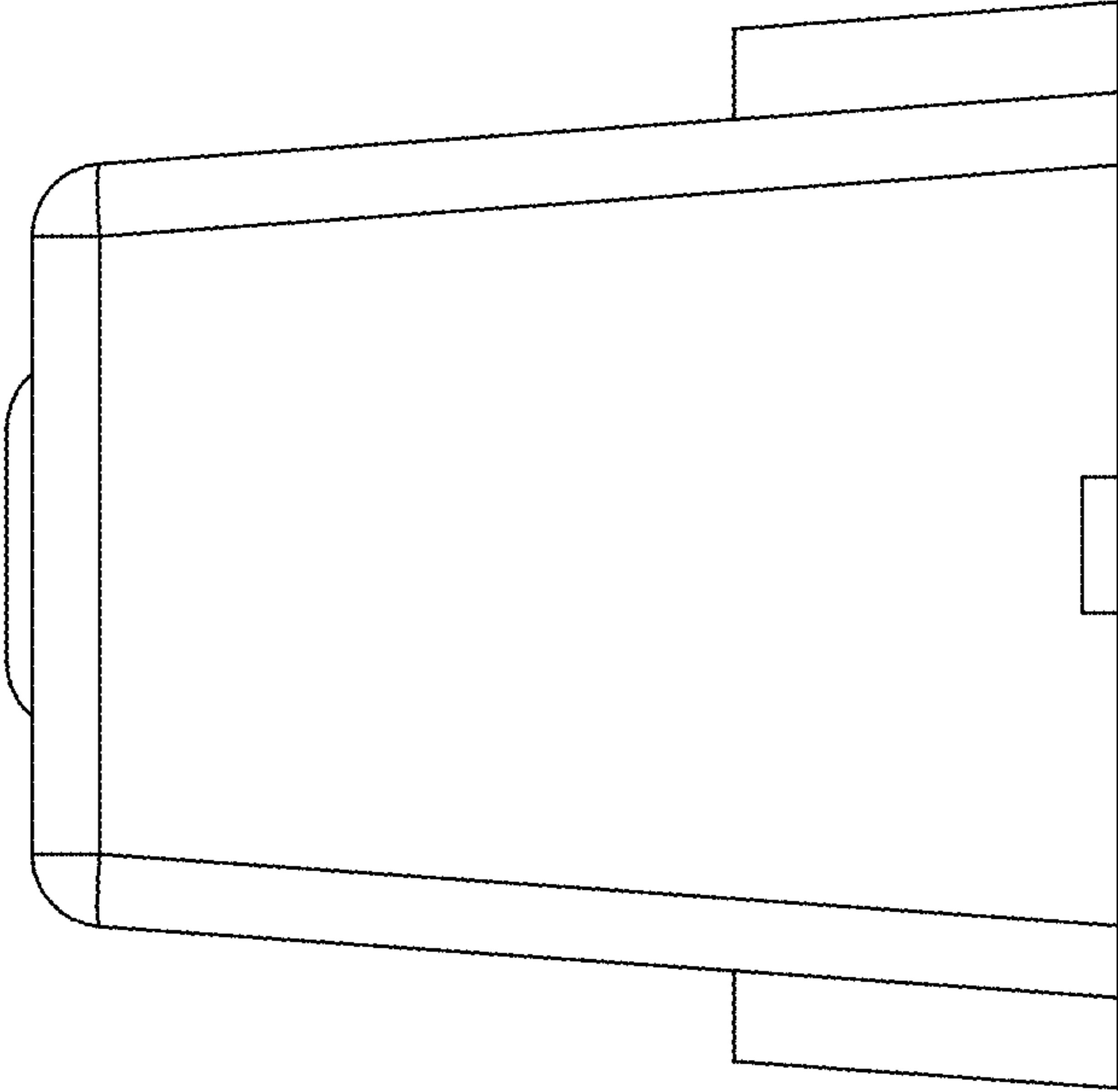


Fig 2

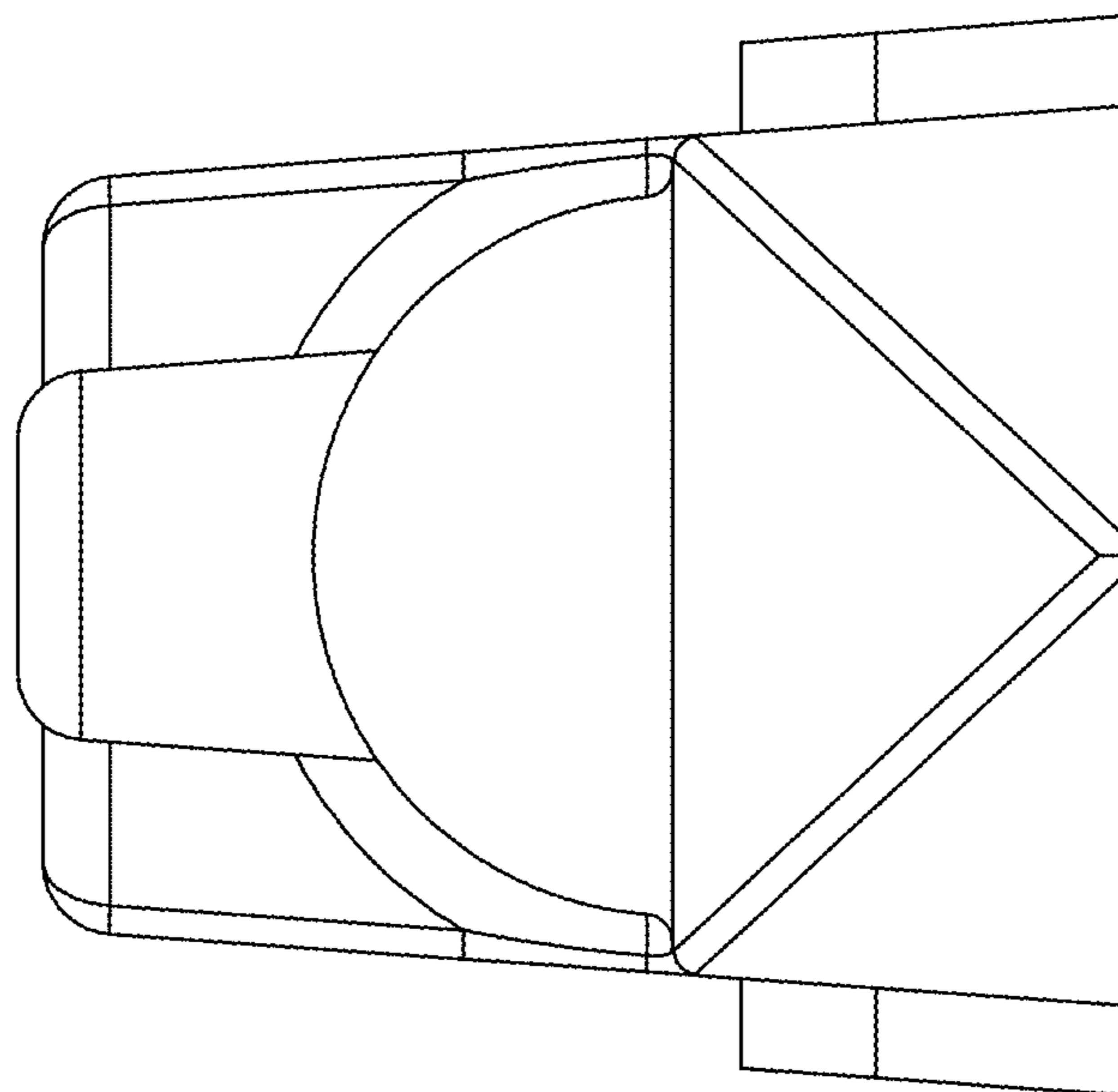


Fig 3

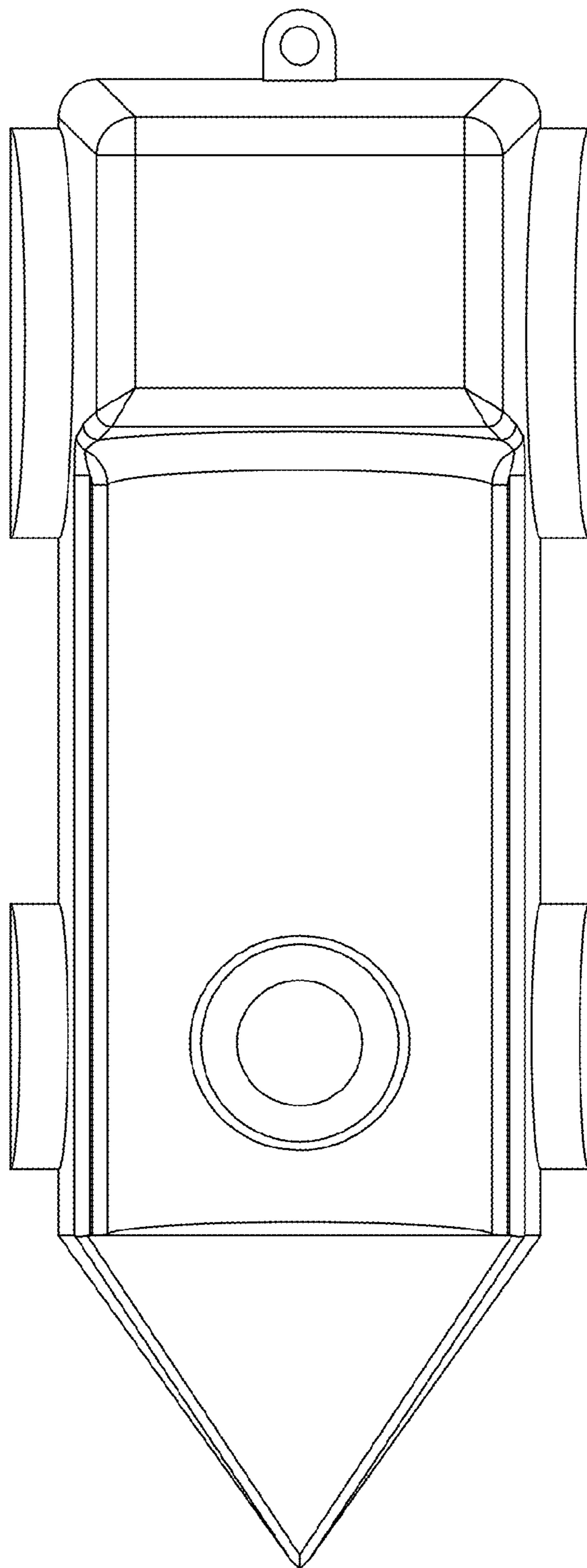


Fig 4

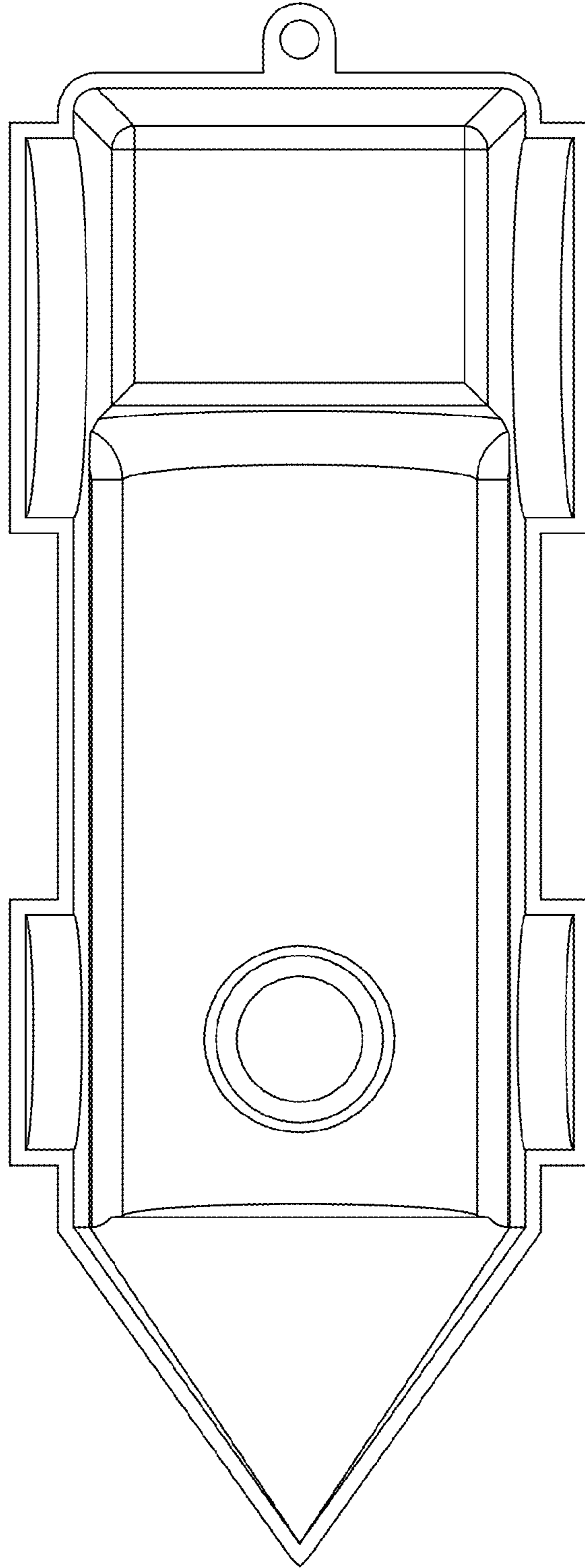


Fig 5

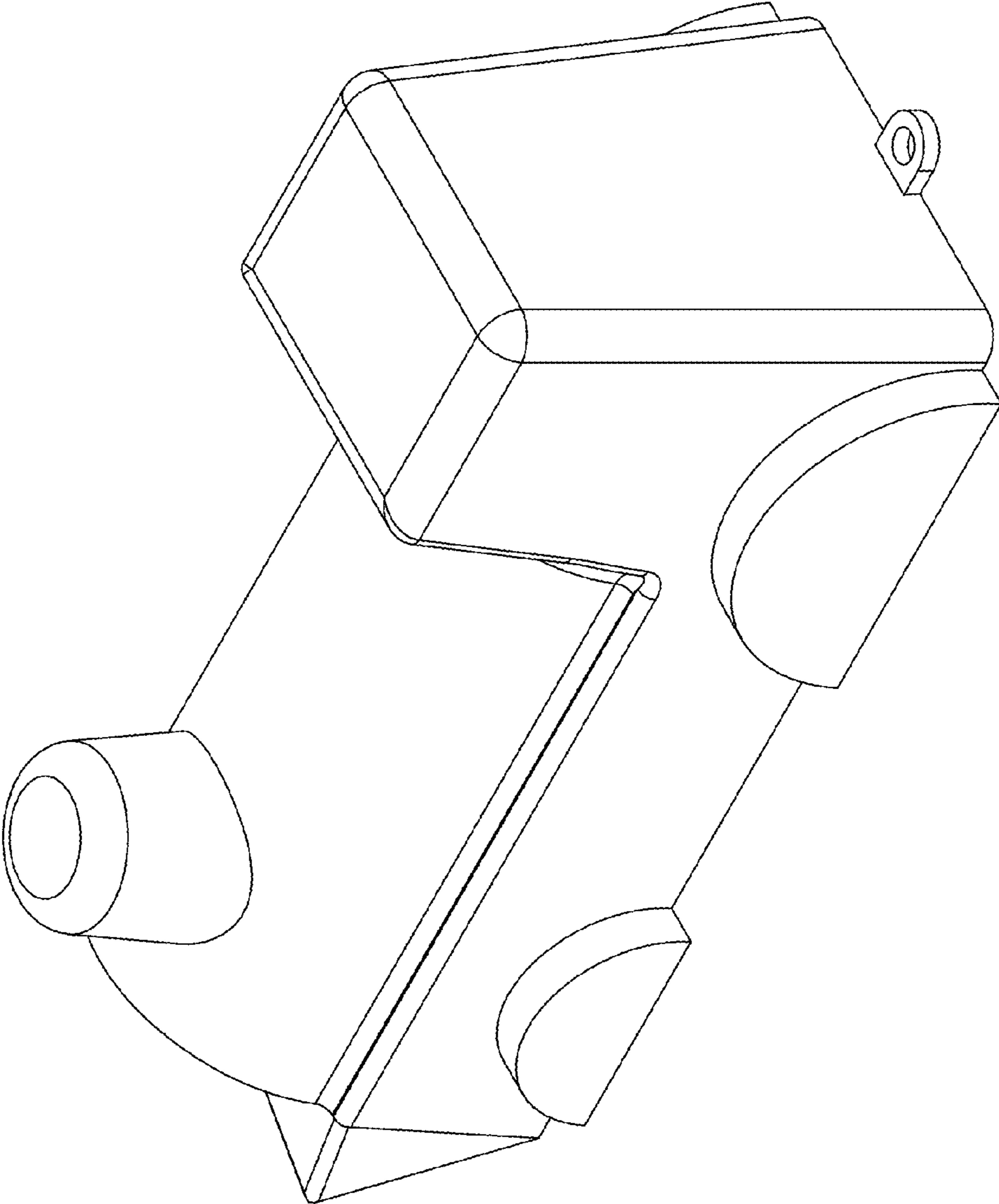


Fig 6

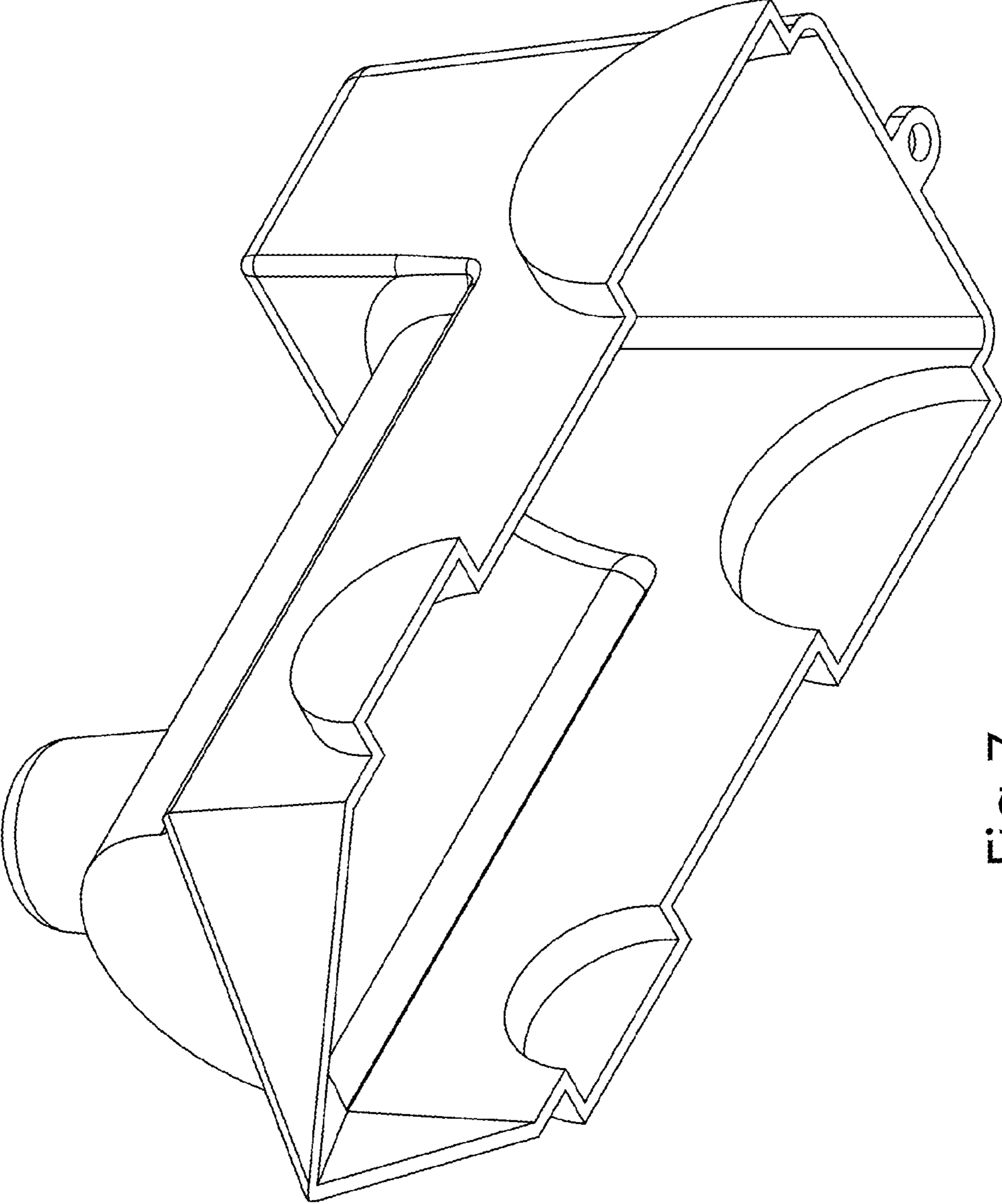


Fig 7