



US00D688322S

(12) **United States Design Patent**  
**Colwell**

(10) **Patent No.:** **US D688,322 S**

(45) **Date of Patent:** **\*\* Aug. 20, 2013**

(54) **HOUSE SAND MOLD**

(76) Inventor: **Jennifer Colwell**, Montclair, NJ (US)

(\*\*) Term: **14 Years**

(21) Appl. No.: **29/411,912**

(22) Filed: **Jan. 27, 2012**

(51) **LOC (9) Cl.** ..... **21-01**

(52) **U.S. Cl.**

USPC ..... **D21/472**; D21/511

(58) **Field of Classification Search**

USPC ..... D21/386, 398, 468, 471, 472, 478,  
D21/479, 483, 484, 485, 489, 490, 491, 493,  
D21/494, 495, 506, 507, 508, 509, 511, 811,  
D21/814, 815, 816, 826-828, 831; D19/35,  
D19/36, 72, 80, 82, 94, 97; D15/90, 135,  
D15/136; D7/593, 594, 599, 604, 606, 609,  
D7/610, 613, 702, 619.2, 623, 625, 710, 628,  
D7/672, 675; D9/636; D10/11, 54, 106.4;  
D11/44, 48, 81, 86, 117, 121, 125, 157;  
D20/29, 38; D3/271.6; D30/111, 112; D6/345,  
D6/351, 358, 388, 404, 434, 450, 451, 493,  
D6/497, 506, 597; D25/1-34; D26/7, 16,  
D26/25, 57, 73, 94, 95, 125; D99/30, 41,  
D99/42; 446/70, 76, 85-88, 93-96, 117,  
446/118, 122, 146, 424, 476, 478, 475, 487;  
425/276, 282, 283, 318, 439, 440, 442, 457,  
425/458, 469, DIG. 57, DIG. 125; 249/117,  
249/119, 121, 133, 137, 140, 142, 160, 163,  
249/165-172

See application file for complete search history.

(56) **References Cited**

**U.S. PATENT DOCUMENTS**

1,248,532 A \* 12/1917 Noyes ..... 425/317  
1,610,121 A \* 12/1926 Dickinson ..... 249/165  
1,639,934 A \* 8/1927 Ferring ..... 249/165  
1,673,413 A \* 6/1928 Marden ..... 446/118

D164,224 S \* 8/1951 Camillo ..... D99/41  
2,589,588 A \* 3/1952 Winnemore ..... 446/85  
2,765,729 A \* 10/1956 Rahr ..... 249/168  
D220,048 S \* 3/1971 Reading ..... D21/472  
3,691,672 A \* 9/1972 Pendill ..... 446/70  
D246,064 S \* 10/1977 Koblick ..... D21/472  
D271,593 S \* 11/1983 Stone et al. .... D21/472  
5,460,561 A \* 10/1995 Dahlgren ..... 446/117  
D372,056 S \* 7/1996 Norton ..... D21/510  
D425,674 S \* 5/2000 Dykens ..... D30/112

**FOREIGN PATENT DOCUMENTS**

WO D038124-001 \* 1/1997  
WO D038124-004 \* 1/1997  
WO D067320-002 \* 2/2006

\* cited by examiner

*Primary Examiner* — Catherine Tuttle

(74) *Attorney, Agent, or Firm* — Michael J. Feigin, Esq.;  
Feigin & Associates, LLC

(57) **CLAIM**

The ornamental design for the house sand mold, as shown and described.

**DESCRIPTION**

FIG. 1 shows a front elevation view of the house sand mold embodying my new design.

FIG. 2 shows a rear elevation view thereof.

FIG. 3 shows a left side elevation view thereof.

FIG. 4 shows a right side elevation view thereof.

FIG. 5 shows a top plan view thereof.

FIG. 6 shows a bottom plan view thereof.

FIG. 7 shows a top, front, and left perspective view thereof.

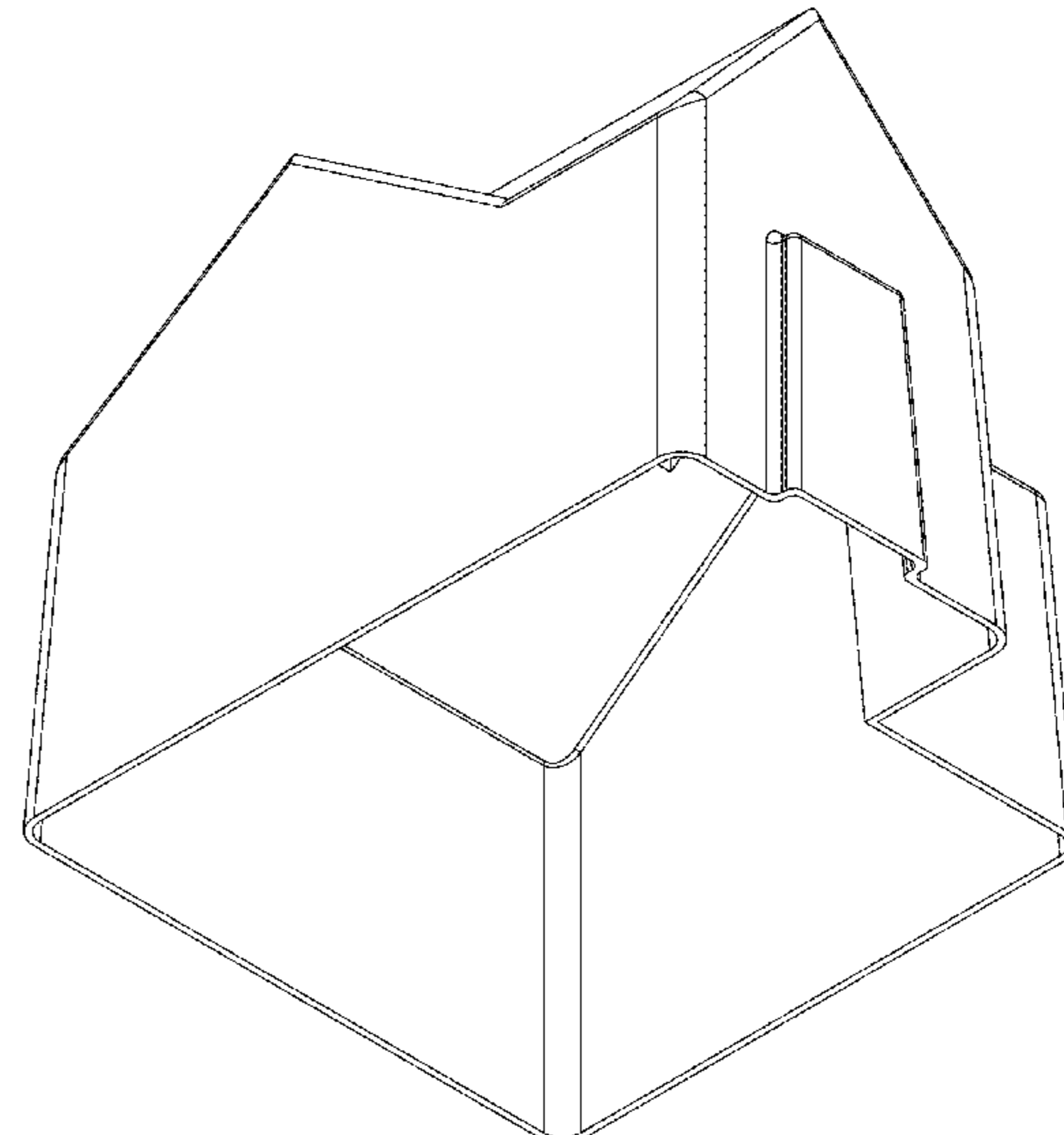
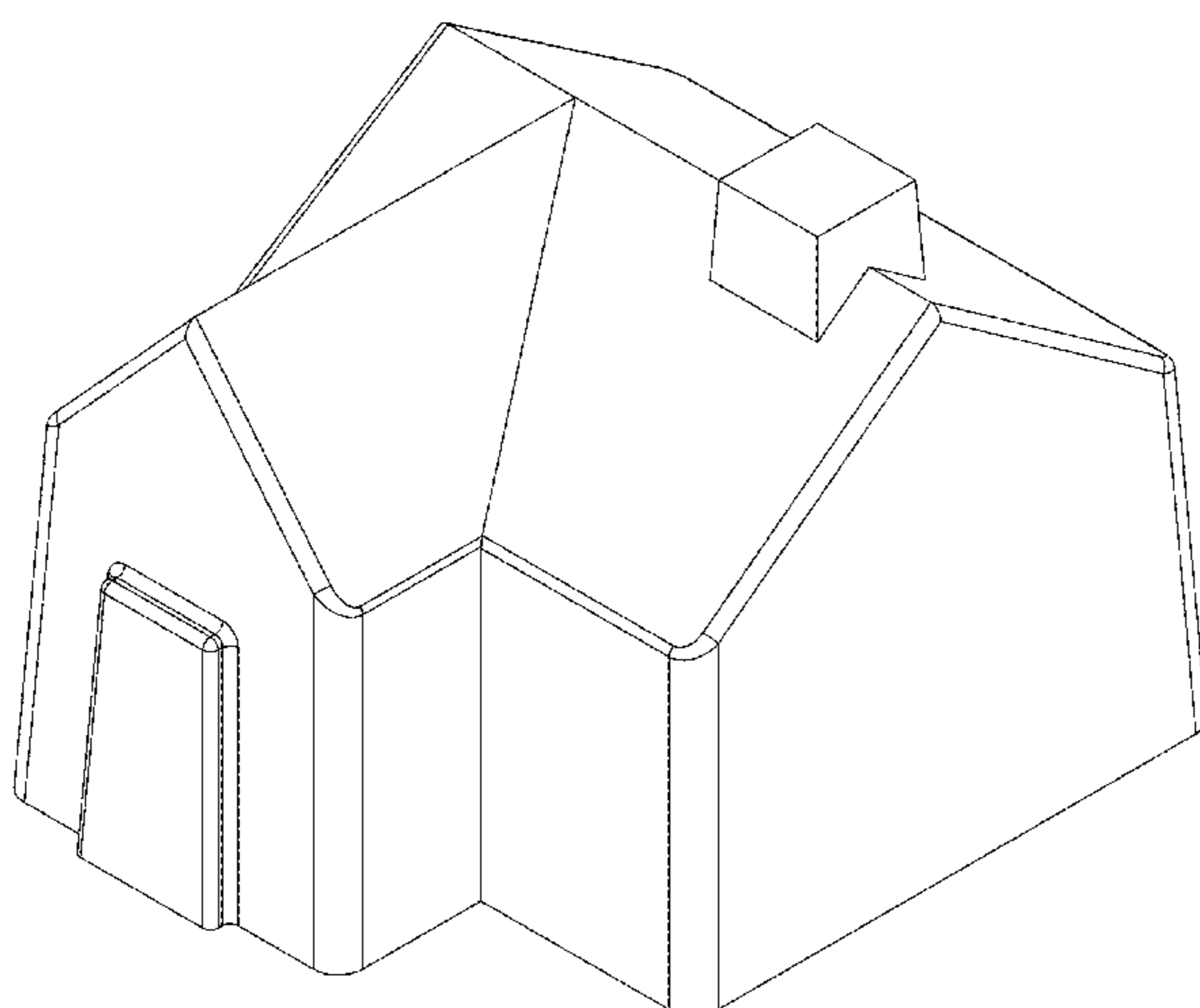
FIG. 8 shows a bottom, front and right perspective view thereof.

FIG. 9 shows a top, rear and right perspective view thereof.

FIG. 10 shows a bottom, front and left perspective view thereof; and,

FIG. 11 shows a bottom perspective view thereof.

**1 Claim, 11 Drawing Sheets**



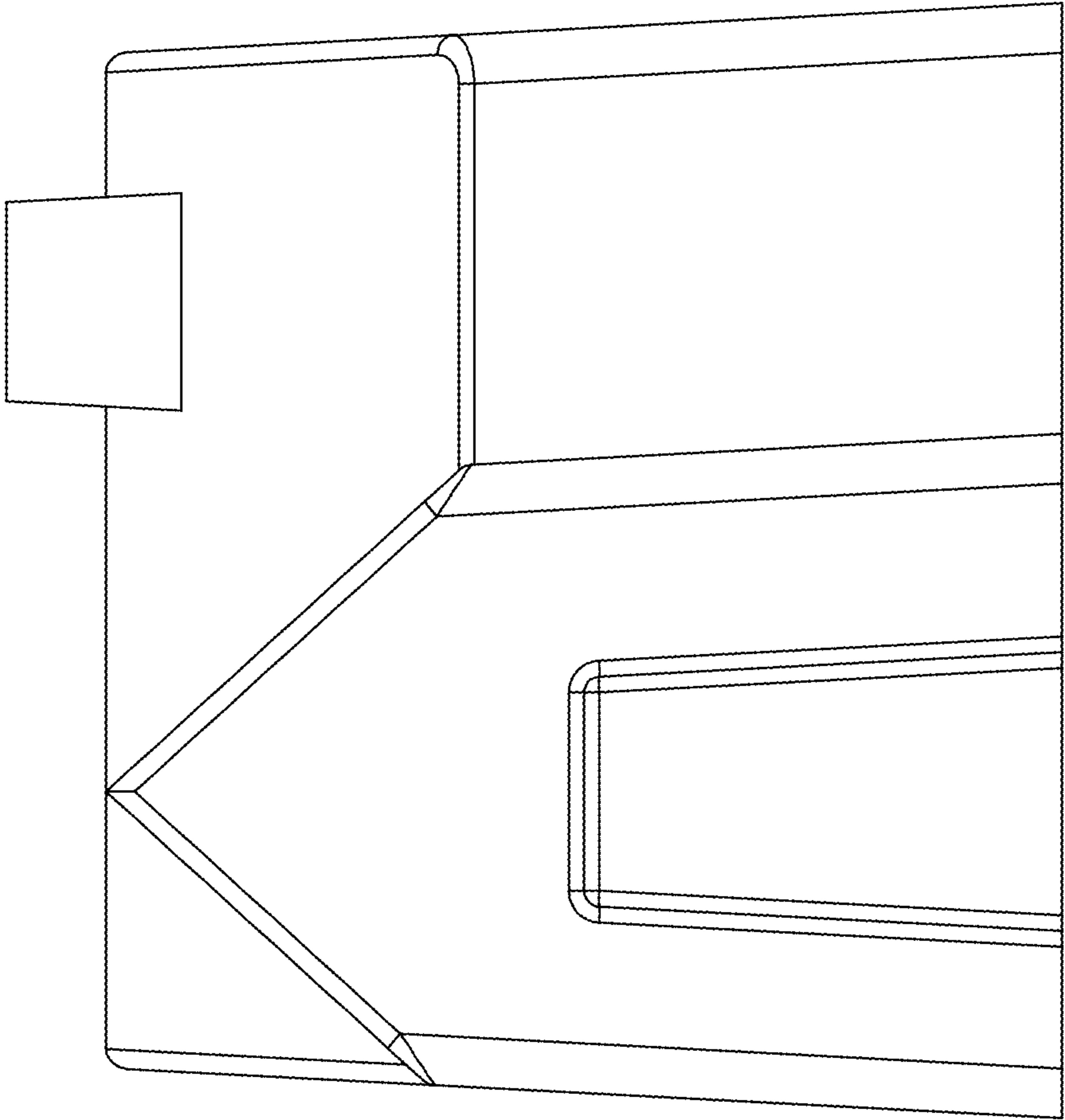


Fig 1

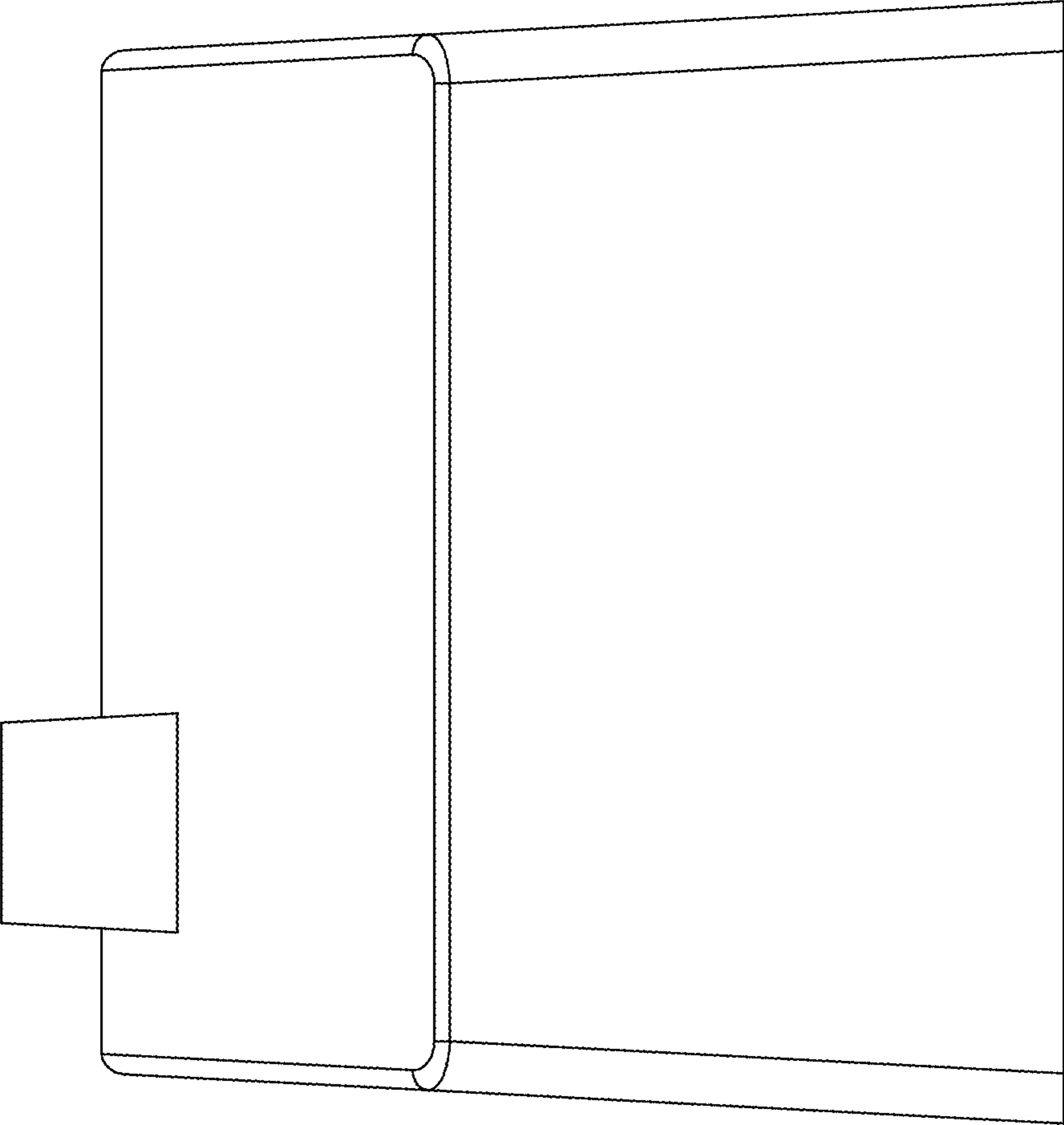


Fig 2

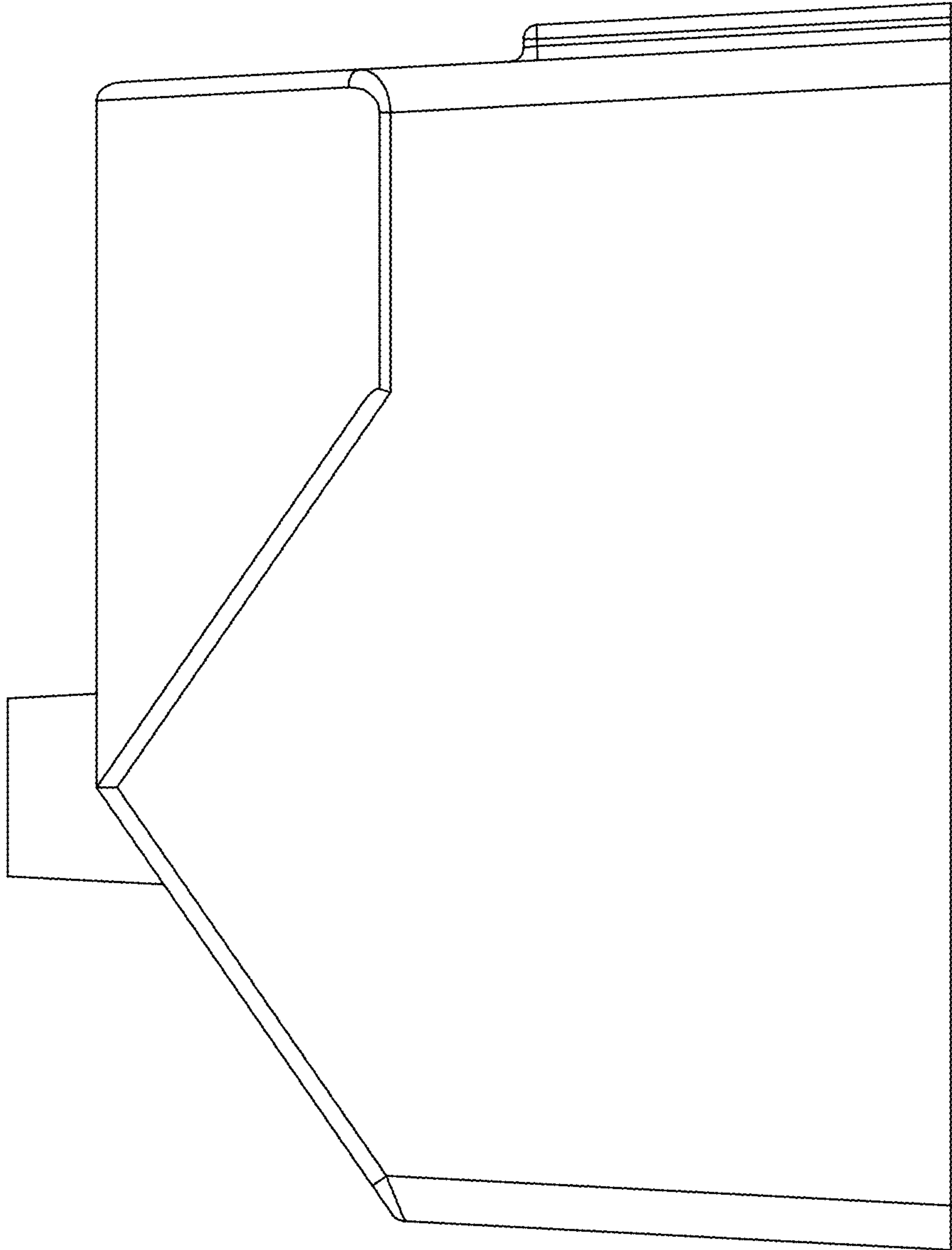


Fig 3

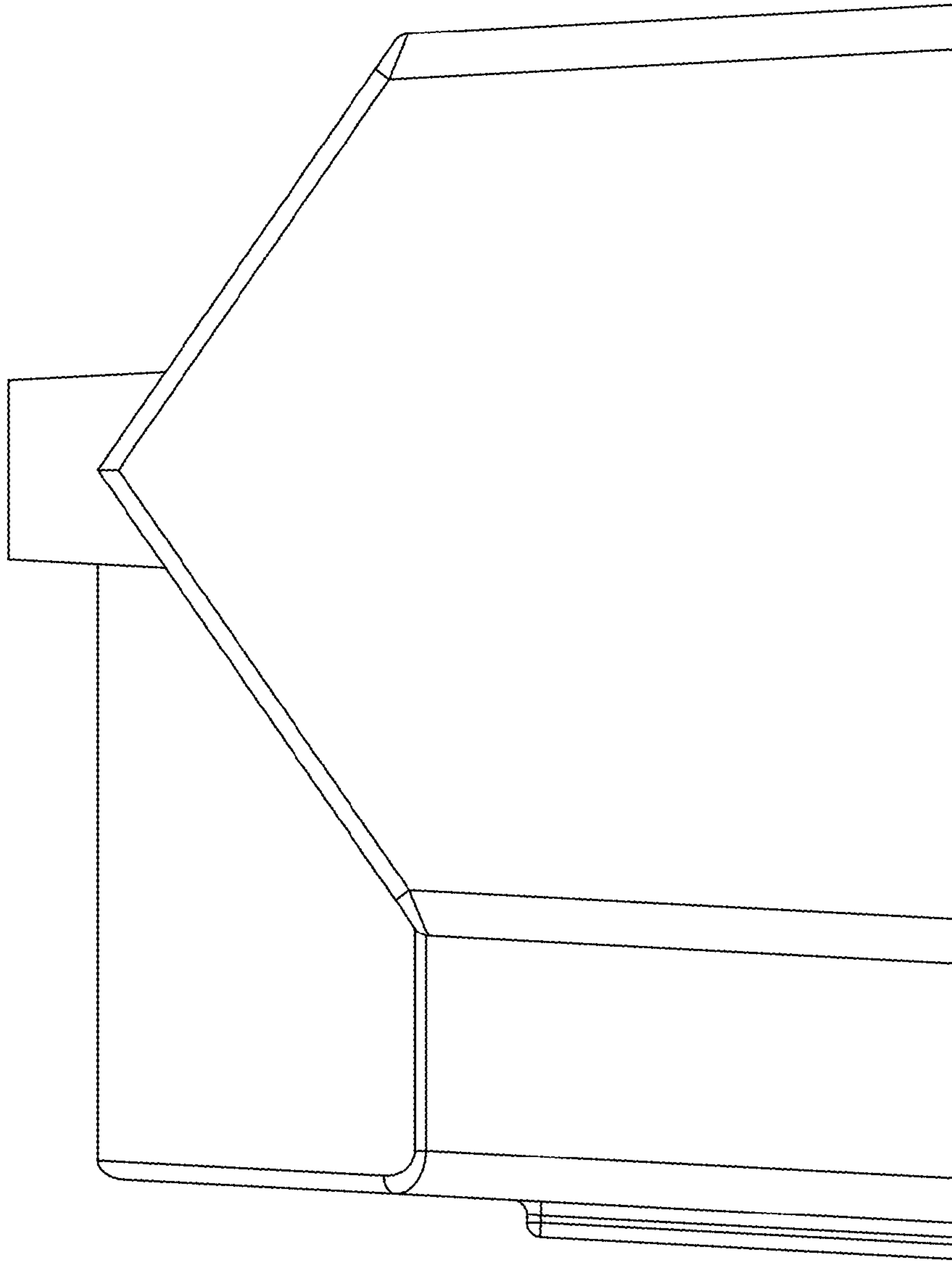


Fig 4

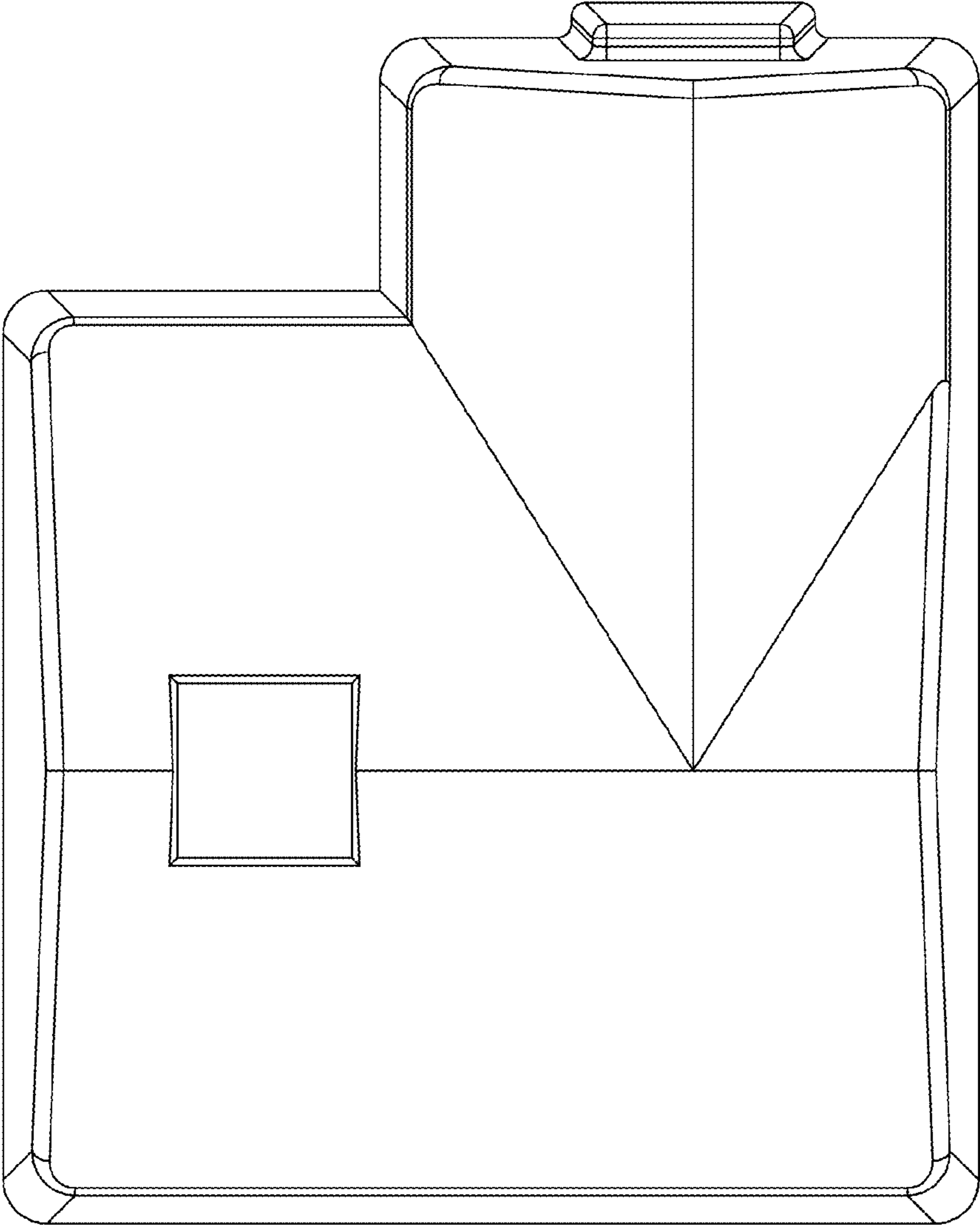


Fig 5

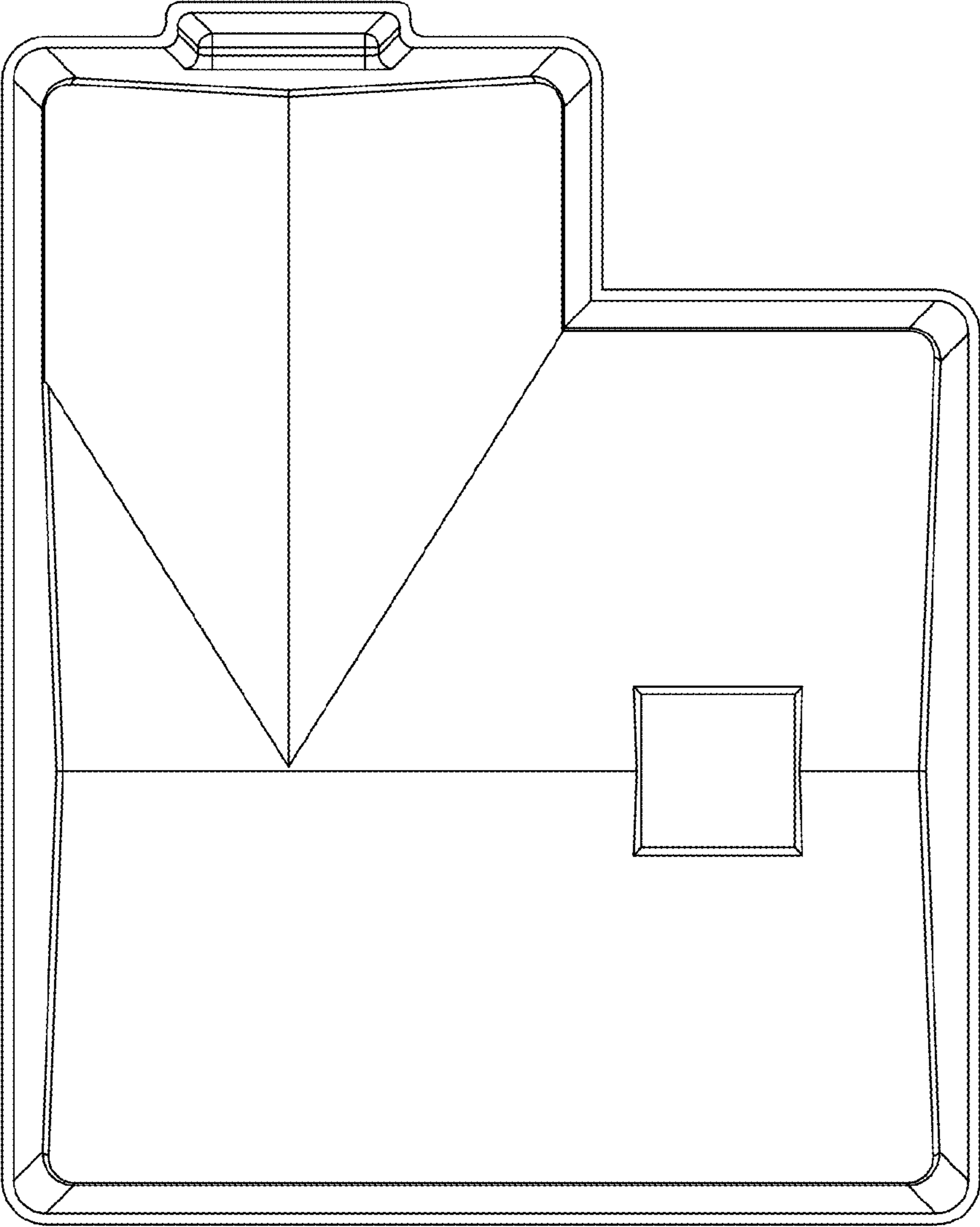


Fig 6

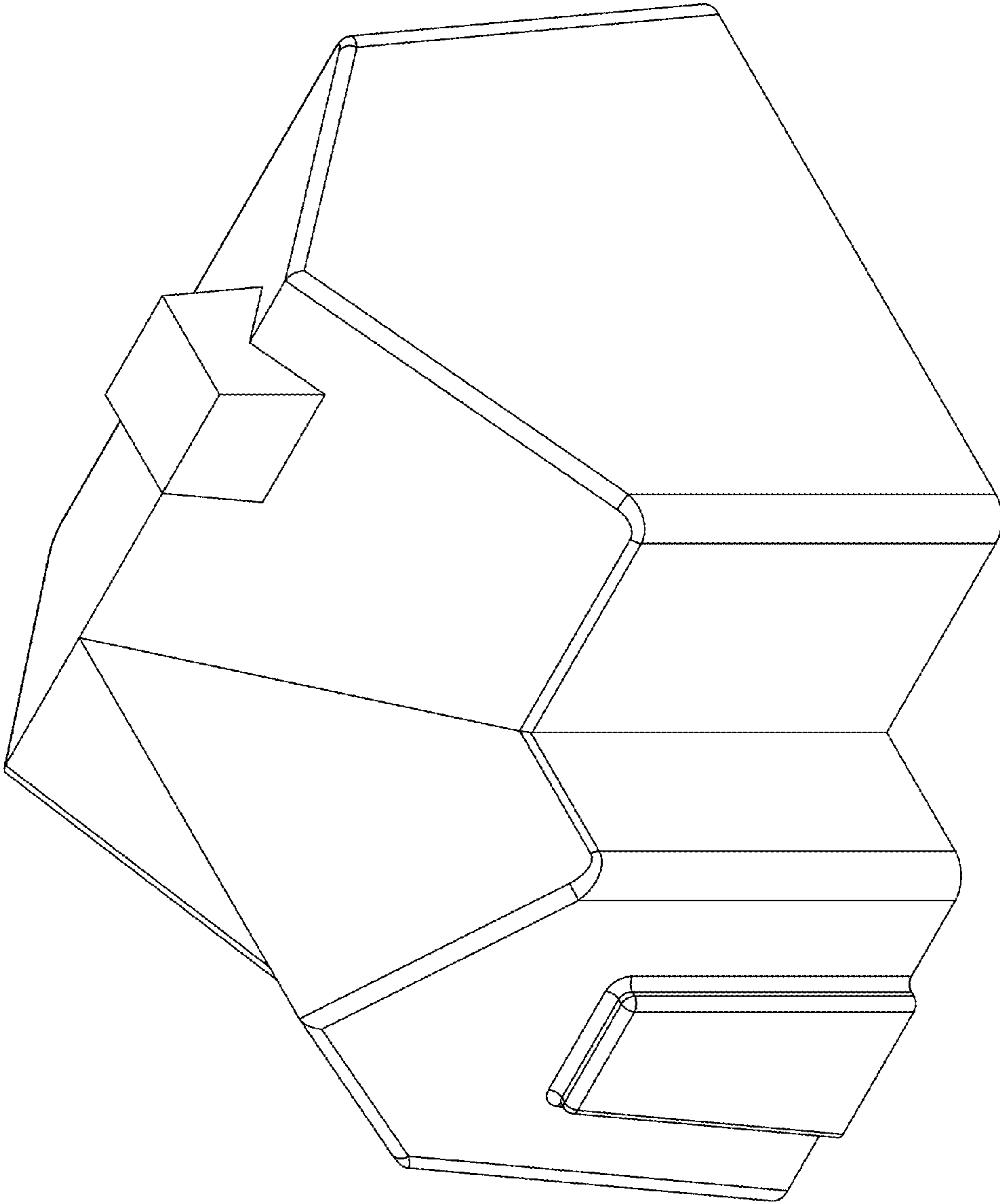


Fig 7



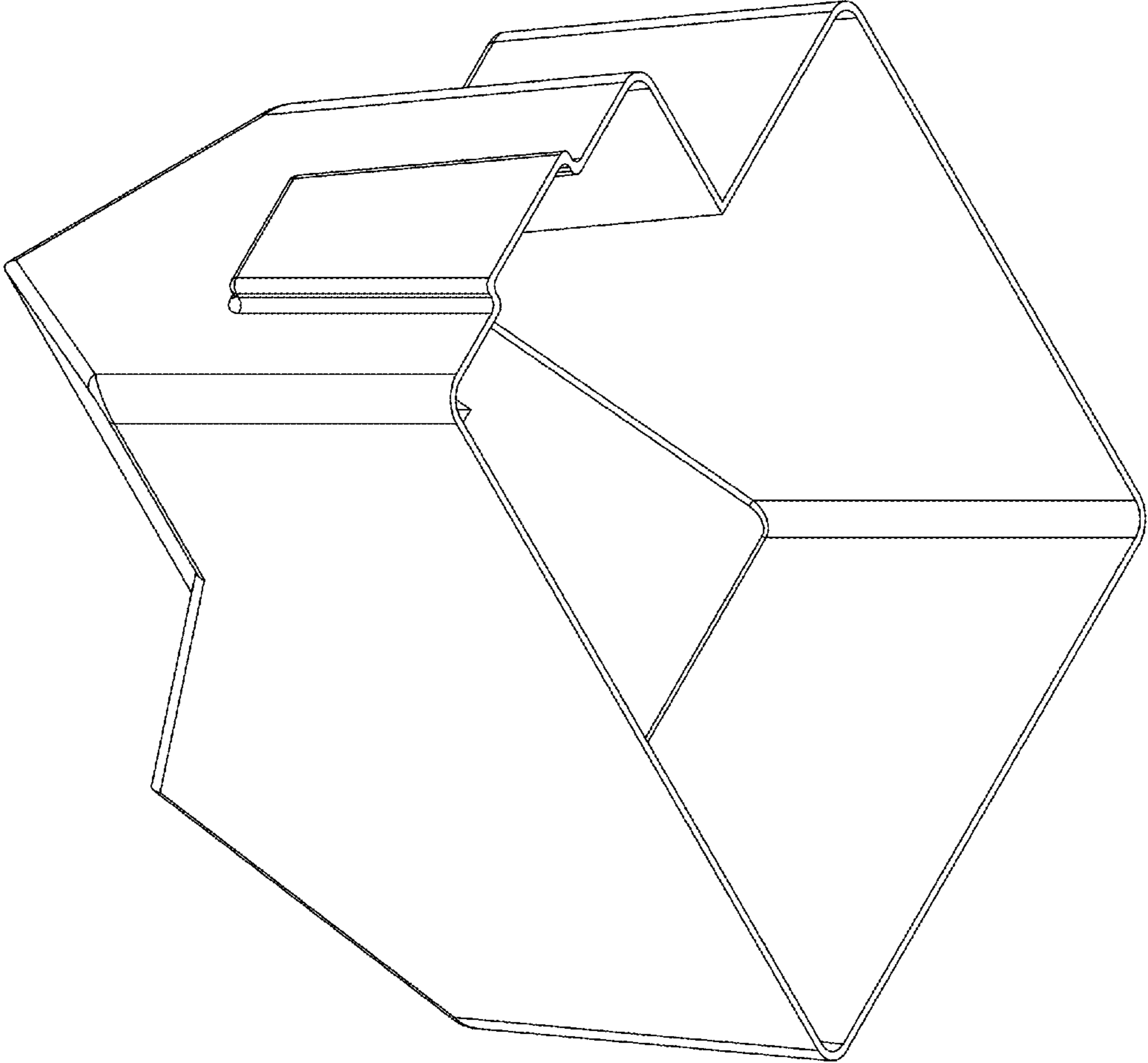


Fig 8

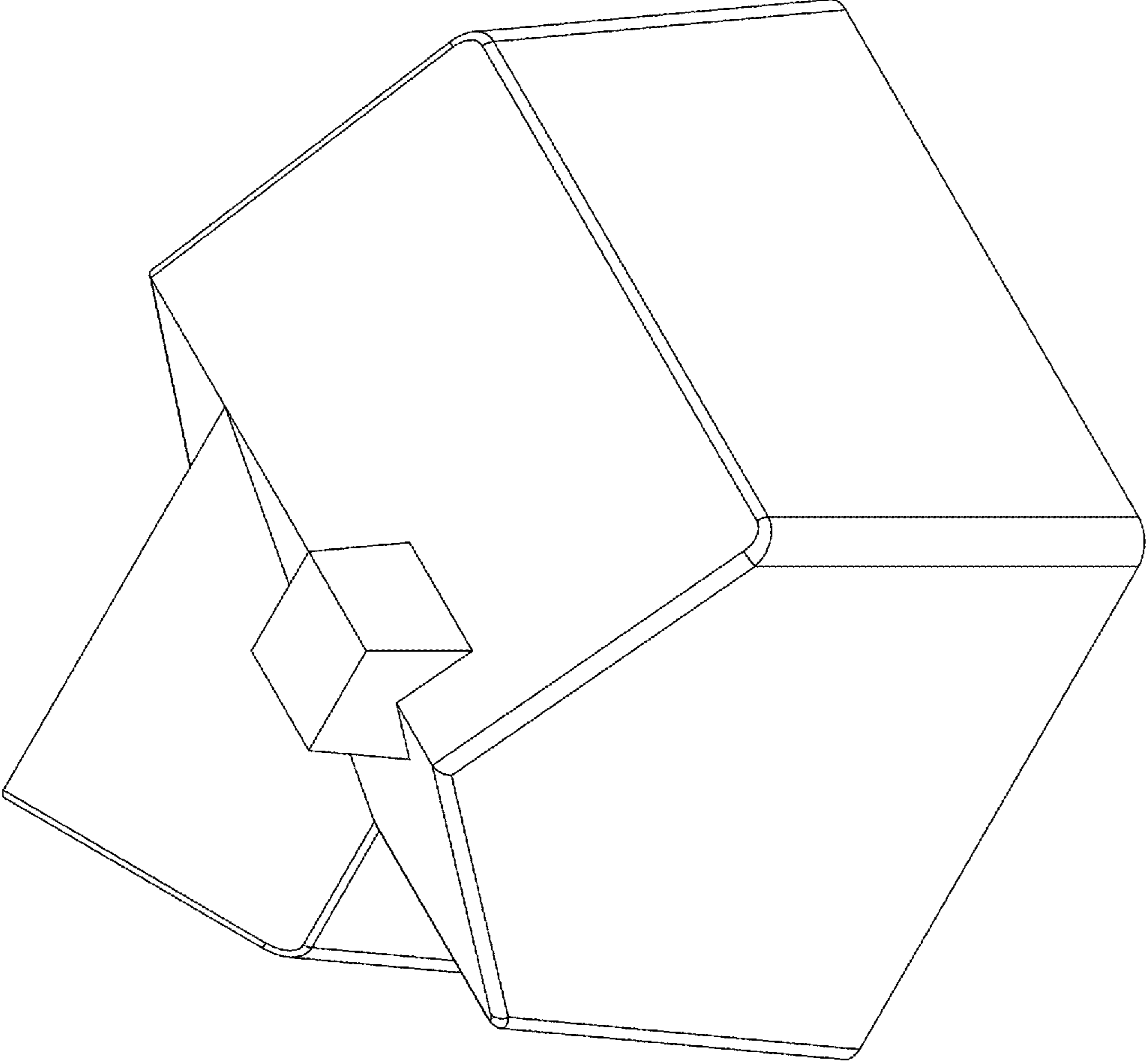


Fig 9

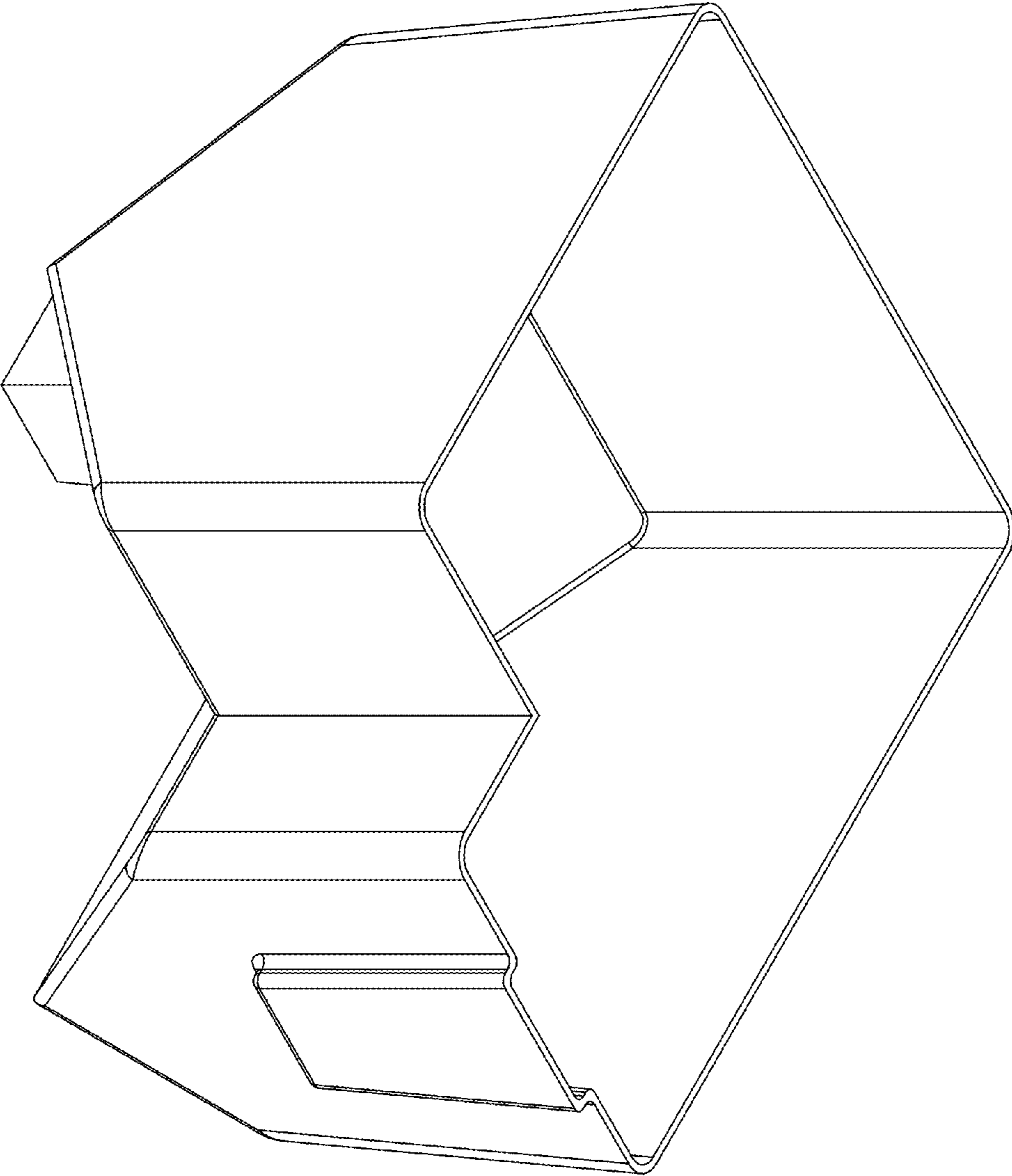


Fig 10

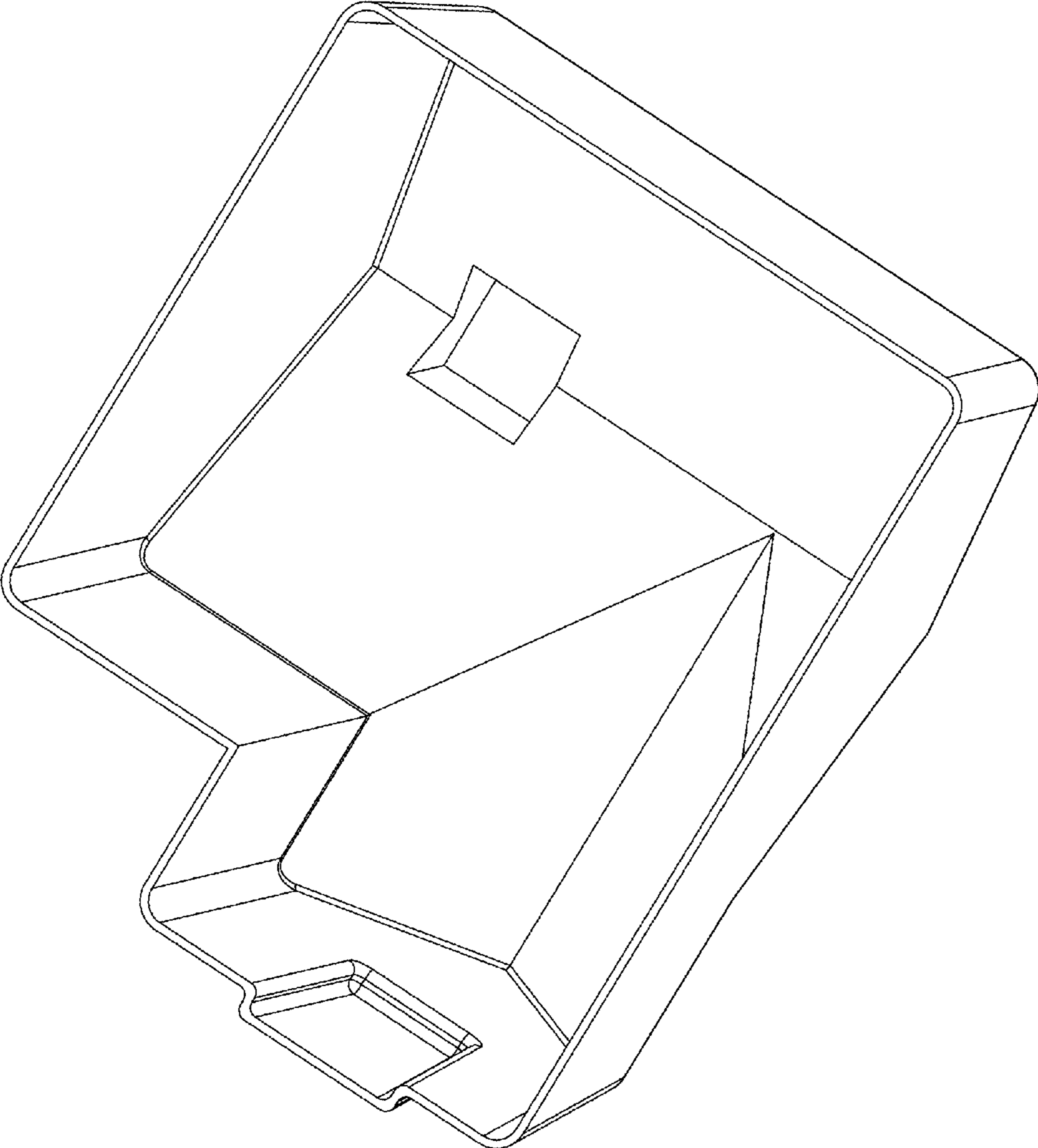


Fig 11