



US00D688321S

(12) **United States Design Patent**
Colwell

(10) **Patent No.:** **US D688,321 S**
(45) **Date of Patent:** **** Aug. 20, 2013**

(54) **CHURCH SAND MOLD**

(76) Inventor: **Jennifer Colwell**, Montclair, NJ (US)

(**) Term: **14 Years**

(21) Appl. No.: **29/411,910**

(22) Filed: **Jan. 27, 2012**

(51) **LOC (9) Cl.** **21-01**

(52) **U.S. Cl.**
USPC **D21/472; D21/511**

(58) **Field of Classification Search**
USPC D21/386, 398, 468, 471, 472, 478,
D21/479, 483, 484, 485, 489, 490, 491, 493,
D21/494, 495, 506, 507, 508, 509, 511, 811,
D21/814, 815, 816, 826-828, 831; D19/35,
D19/36, 72, 80, 82, 94, 97; D15/90, 135,
D15/136; D7/593, 594, 599, 604, 606, 609,
D7/610, 613, 702, 619.2, 623, 625, 710, 628,
D7/672, 675; D9/636; D10/11, 54, 106.4;
D11/44, 48, 81, 86, 117, 121, 125, 157;
D20/29, 38; D3/271.6; D30/111, 112; D6/345,
D6/351, 358, 388, 404, 434, 450, 451, 493,
D6/497, 506, 597; D25/1-34; D26/7, 16,
D26/25, 57, 73, 94, 95, 125; D99/30, 41,
D99/42; 446/70, 76, 85-88, 93-96, 117,
446/118, 122, 146, 424, 476, 478, 475, 487;
425/276, 282, 283, 318, 439, 440, 442, 457,
425/458, 469, DIG. 57, DIG. 125; 249/117,
249/119, 121, 133, 137, 140, 142, 160, 163,
249/165-172

See application file for complete search history.

(56) **References Cited**

U.S. PATENT DOCUMENTS

1,248,532 A * 12/1917 Noyes 425/317
1,610,121 A * 12/1926 Dickinson 249/165

1,639,934 A * 8/1927 Ferring 249/165
1,673,413 A * 6/1928 Marden 446/118
2,589,588 A * 3/1952 Winnemore 446/85
2,765,729 A * 10/1956 Rahr 249/168
D220,048 S * 3/1971 Reading D21/472
3,691,672 A * 9/1972 Pendill 446/70
D246,064 S * 10/1977 Koblick D21/472
D271,593 S * 11/1983 Stone et al. D21/472
5,460,561 A * 10/1995 Dahlgren 446/117
D372,056 S * 7/1996 Norton D21/510

FOREIGN PATENT DOCUMENTS

WO D038124-001 * 1/1997
WO D038124-004 * 1/1997
WO D067320-002 * 2/2006

* cited by examiner

Primary Examiner — Catherine Tuttle

(74) *Attorney, Agent, or Firm* — Michael J. Feigin, Esq.;
Feigin & Associates, LLC

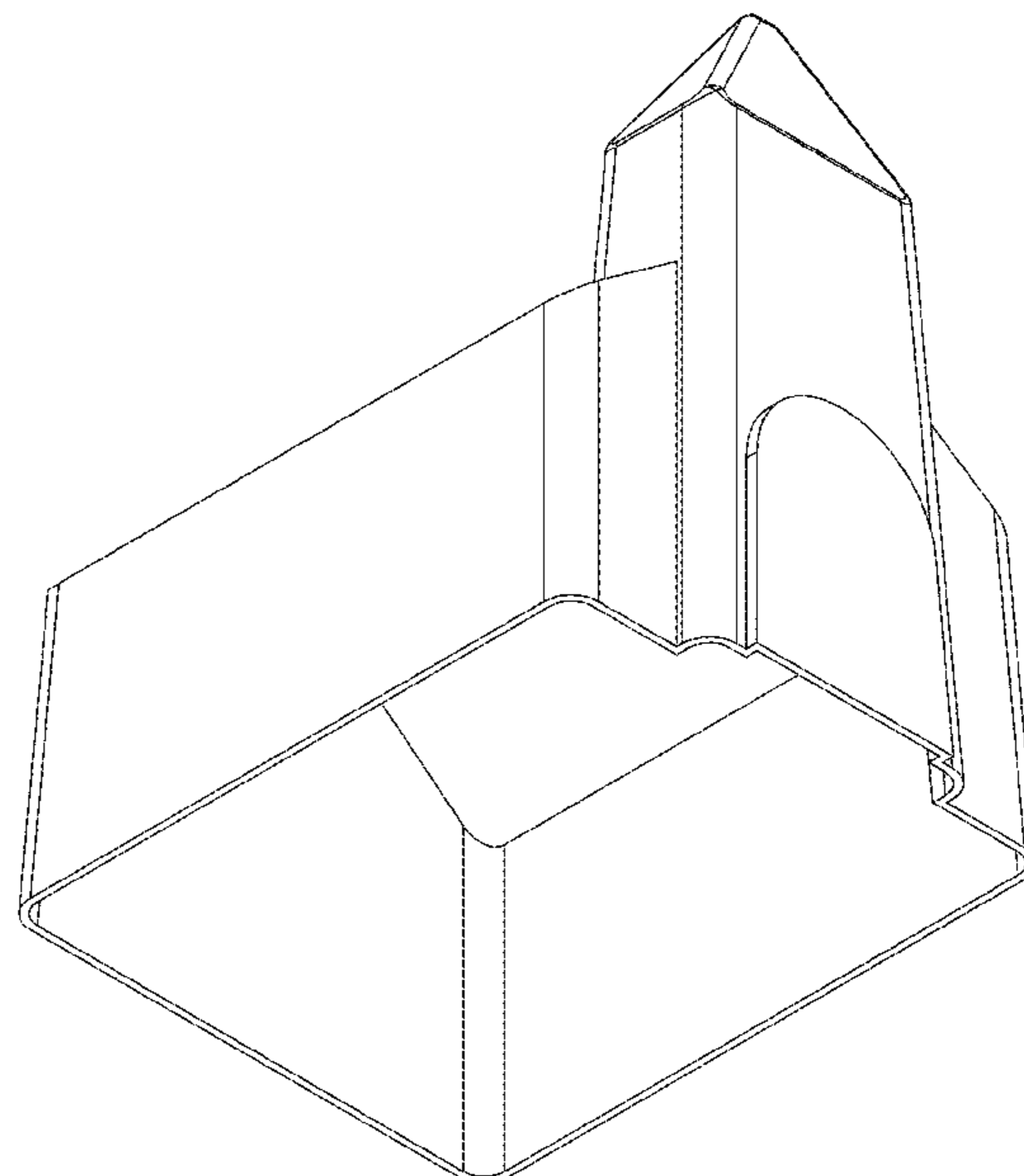
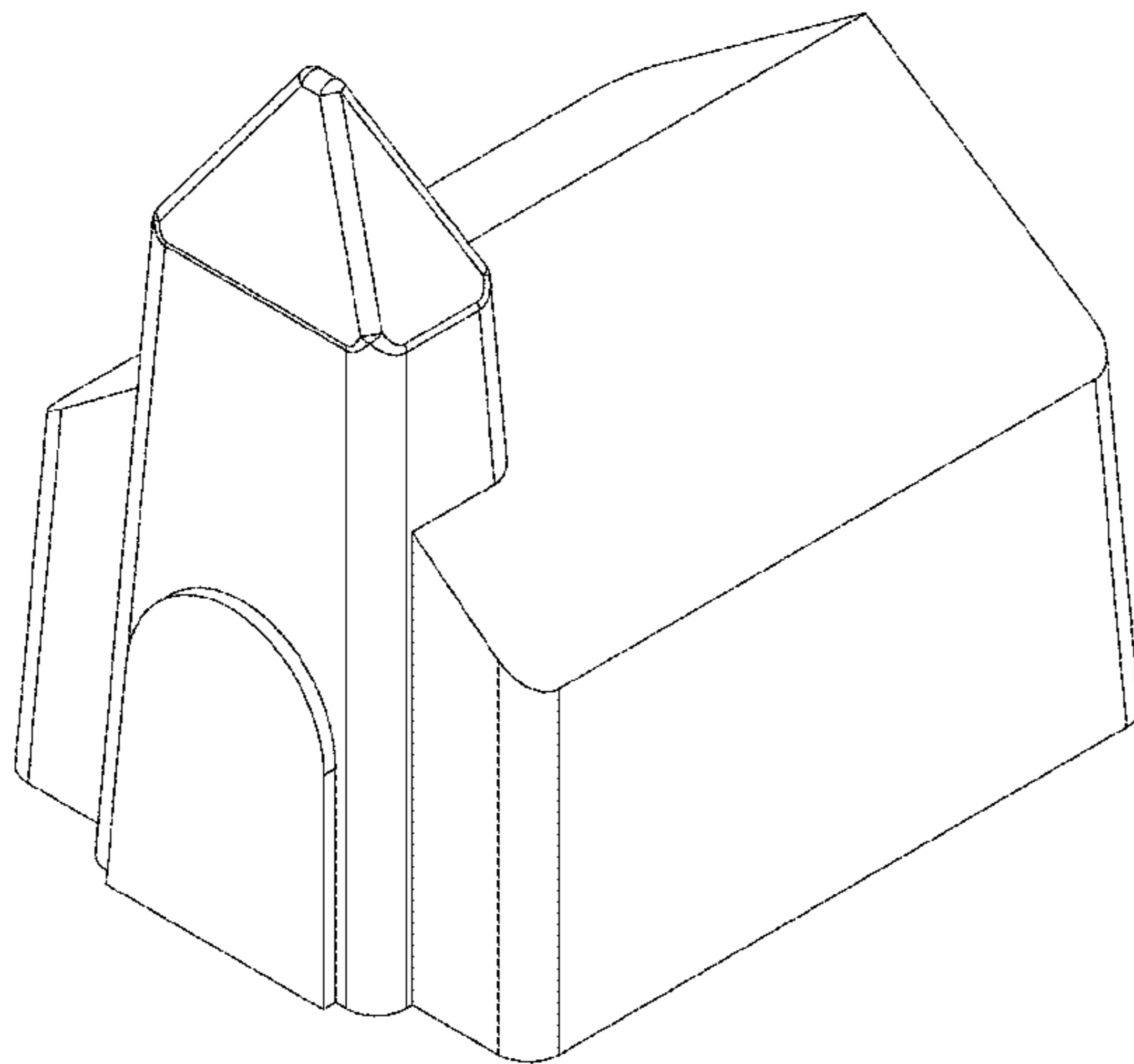
(57) **CLAIM**

The ornamental design for the church sand mold, as shown
and described.

DESCRIPTION

FIG. 1 shows a front elevation view of the church sand mold
embodying my new design.
FIG. 2 shows a rear elevation view thereof.
FIG. 3 shows a left side elevation view, the opposite side
being a mirror image thereof.
FIG. 4 shows a top plan view thereof.
FIG. 5 shows a bottom plan view thereof.
FIG. 6 shows a top, front and left perspective view thereof.
FIG. 7 shows a bottom, front and right perspective view
thereof.
FIG. 8 shows a top, rear and right perspective view thereof;
and,
FIG. 9 shows a bottom, left and rear perspective view thereof.

1 Claim, 9 Drawing Sheets



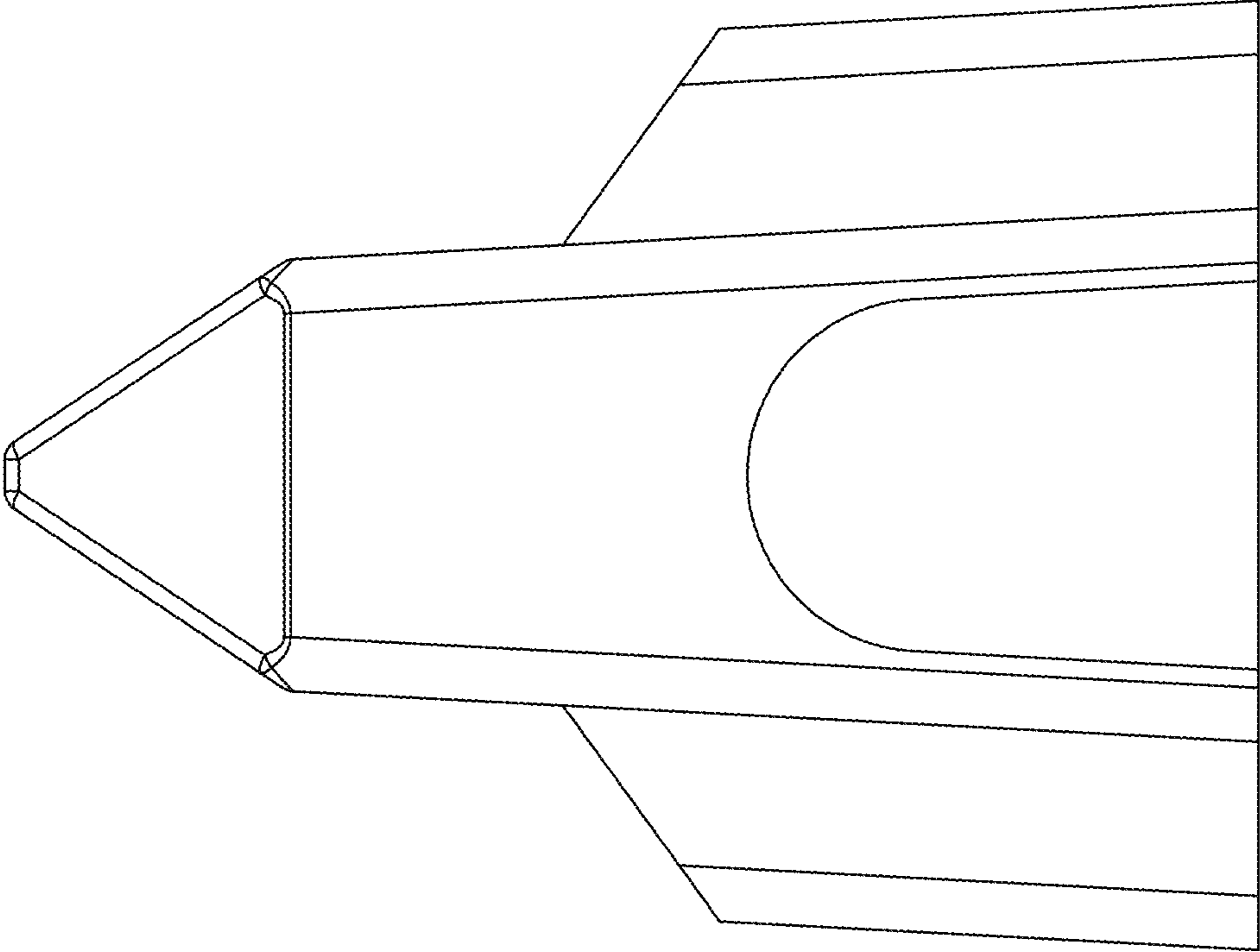


Fig 1

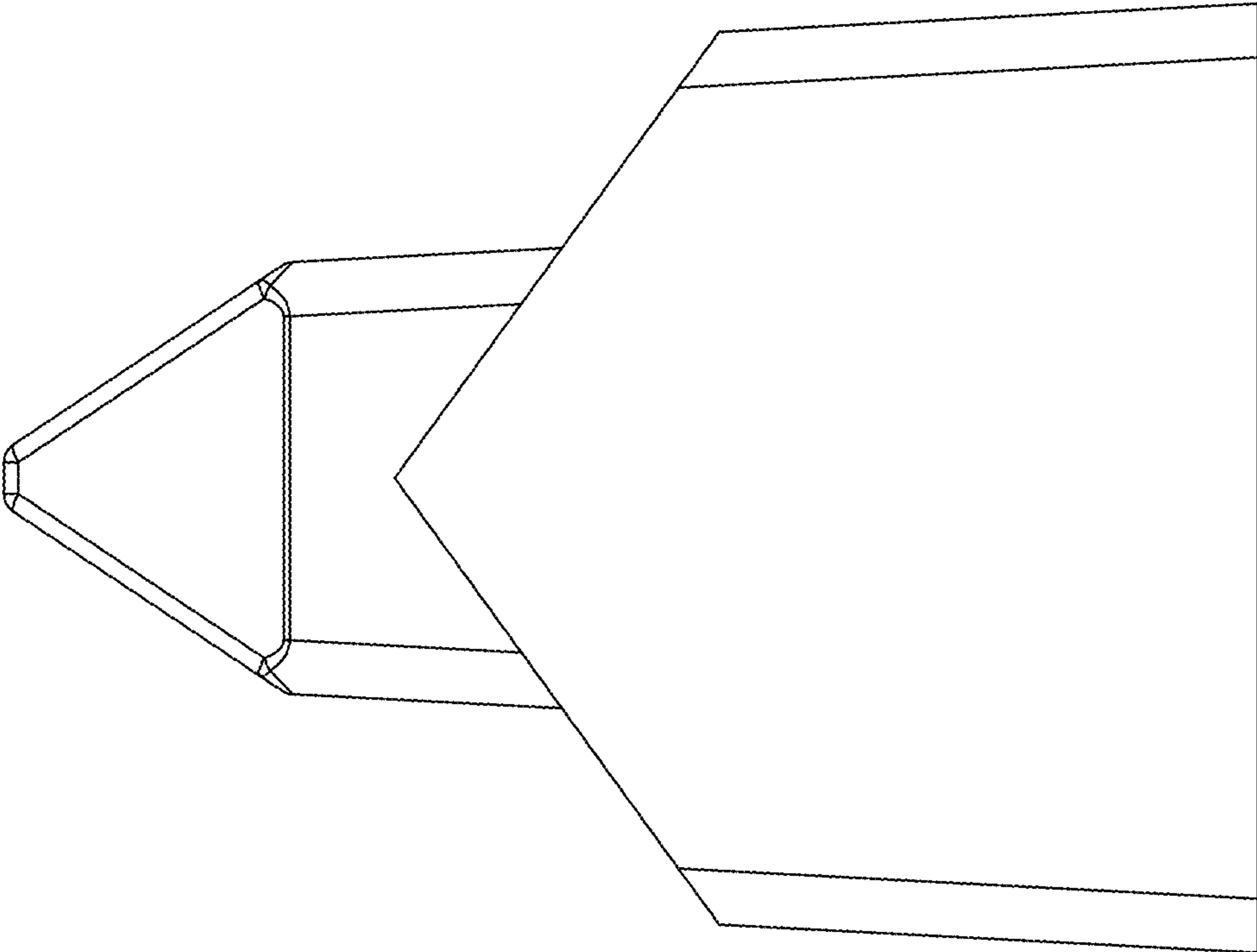


Fig 2

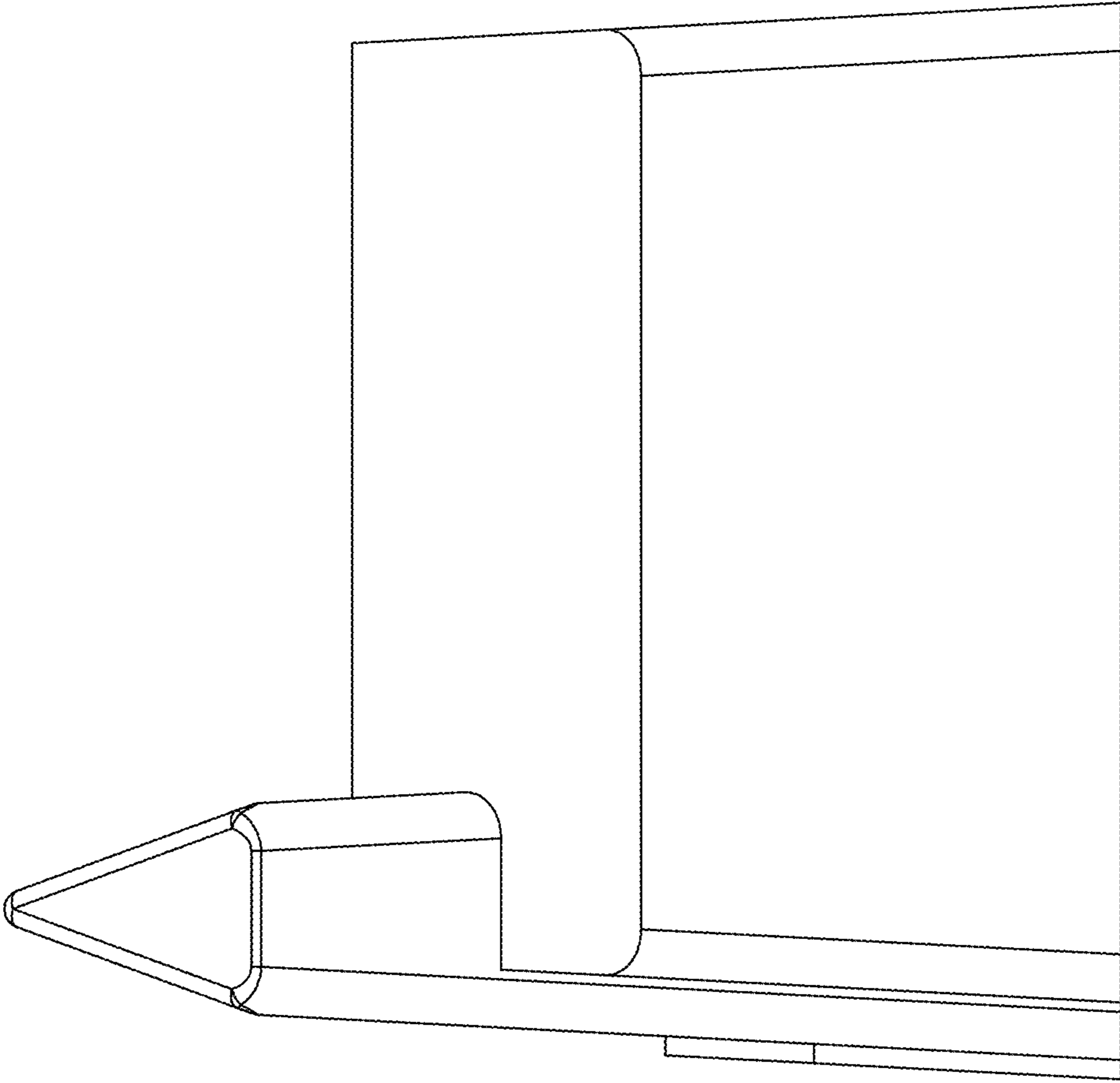


Fig 3

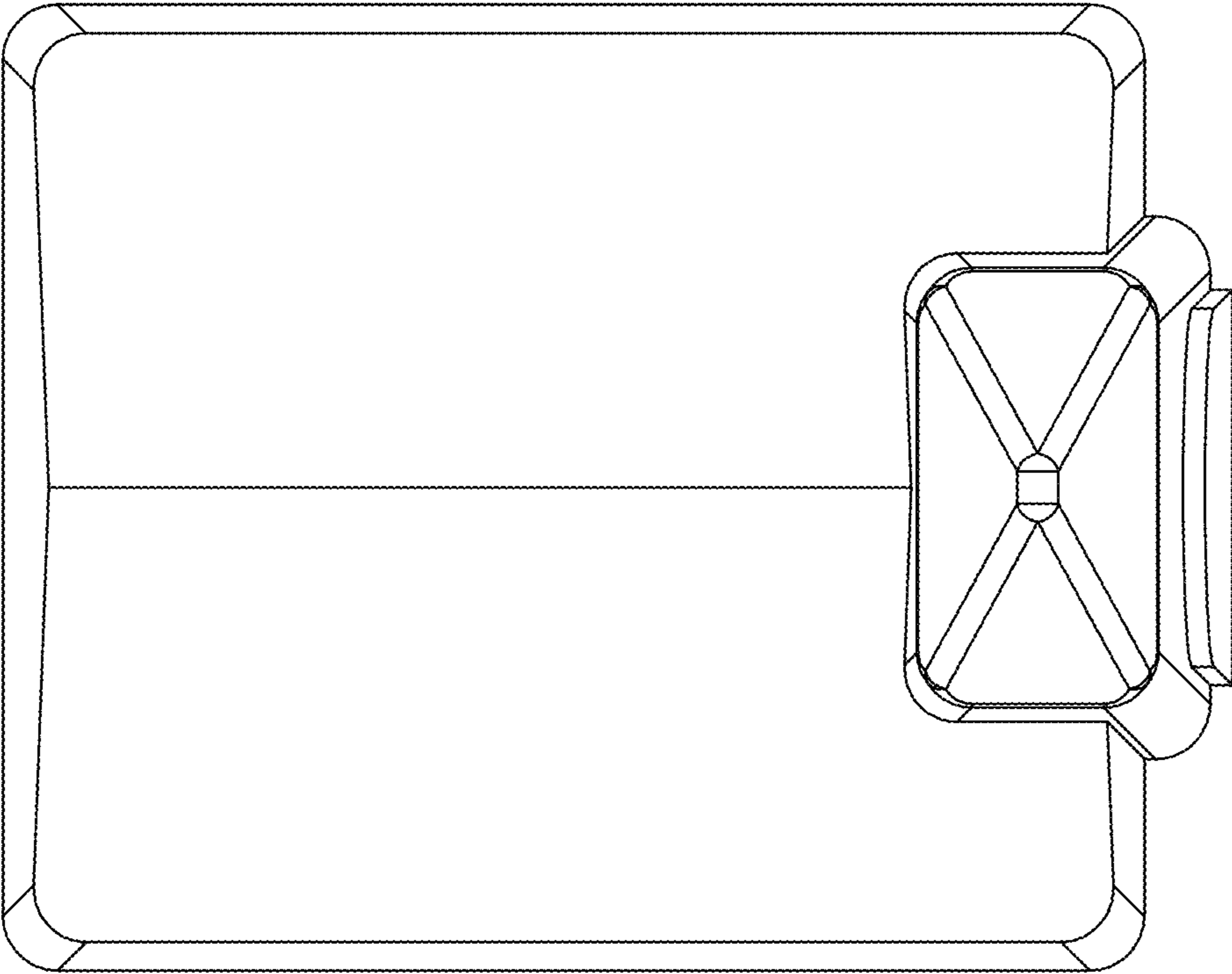


Fig 4

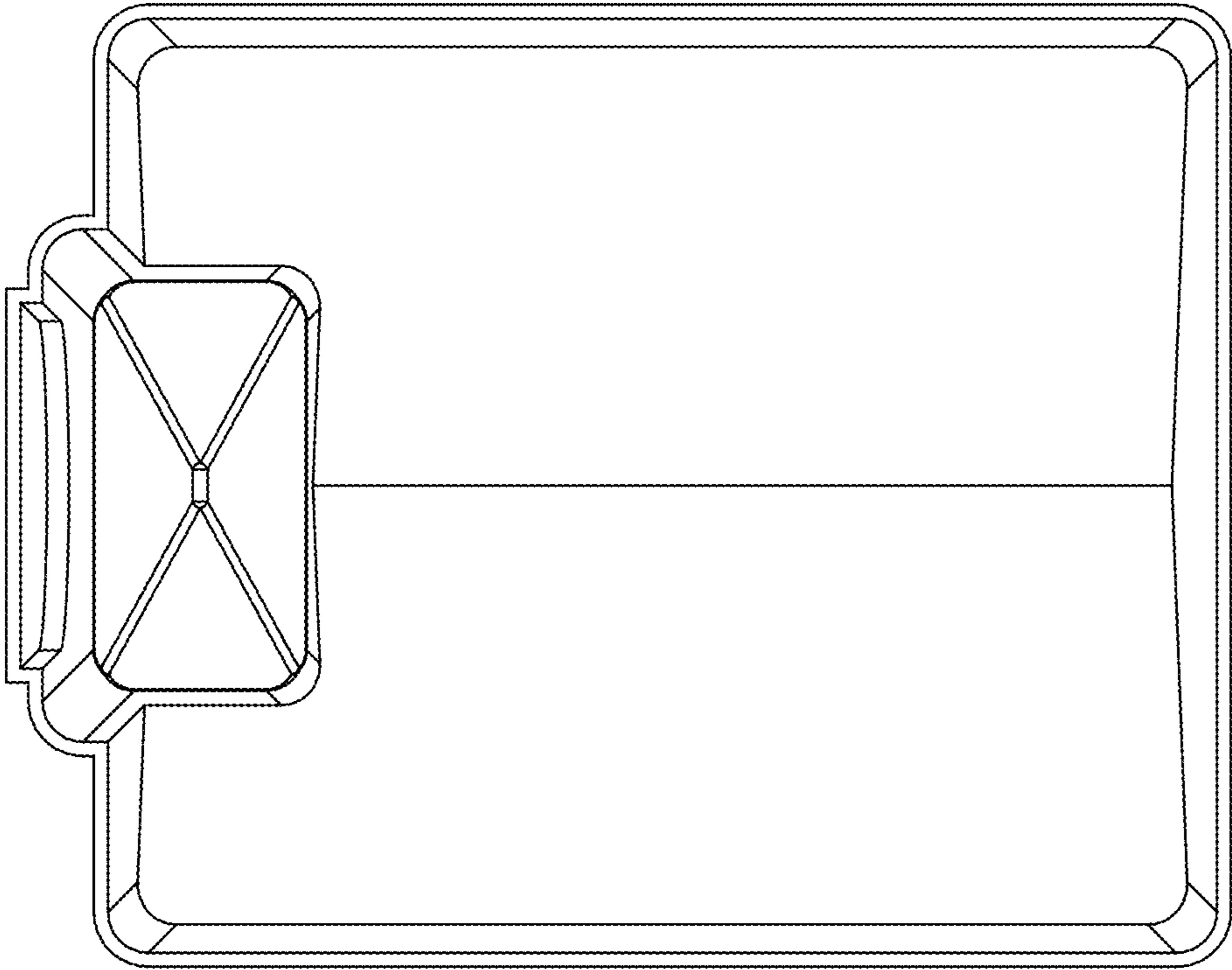


Fig 5

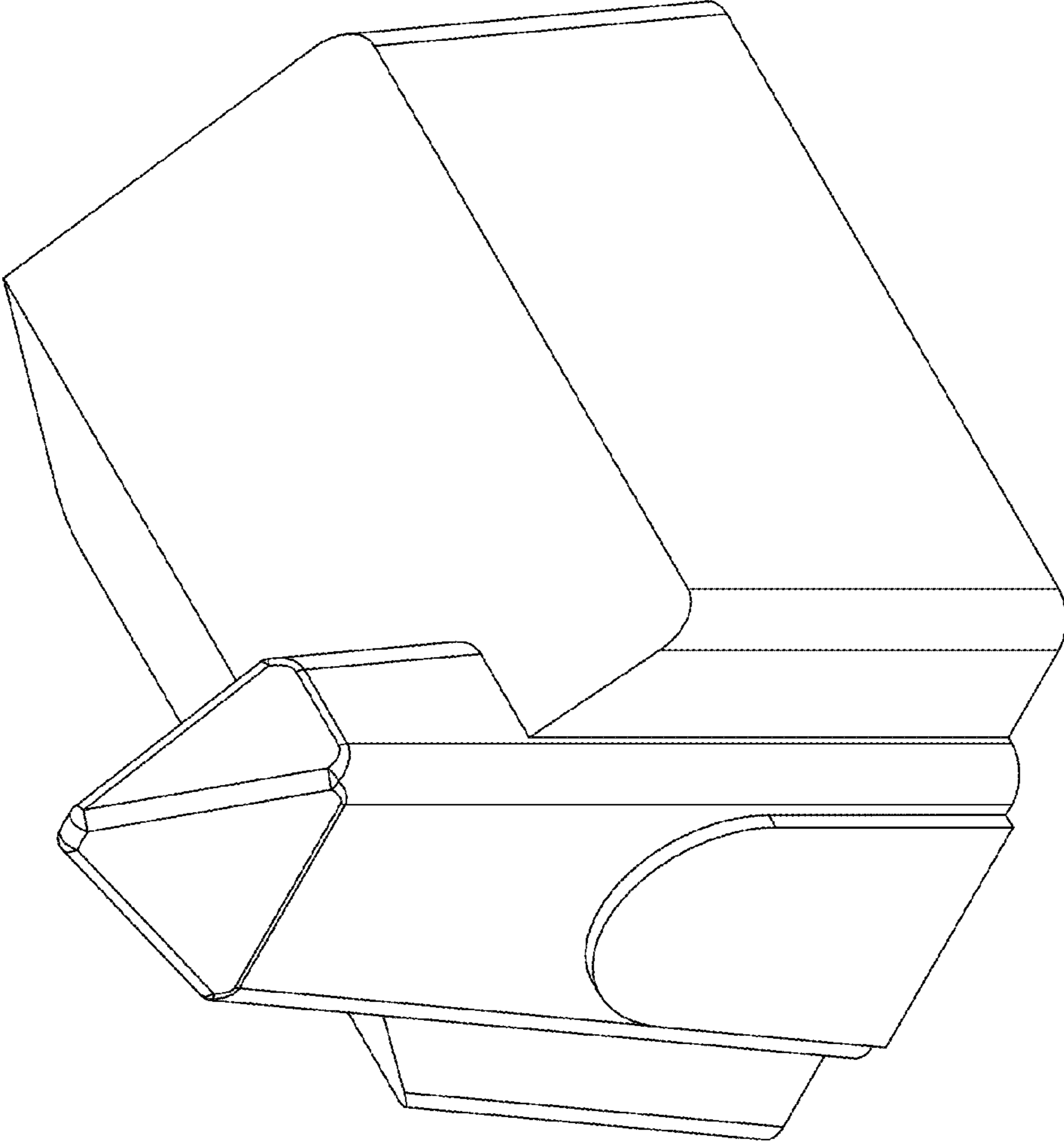


Fig 6

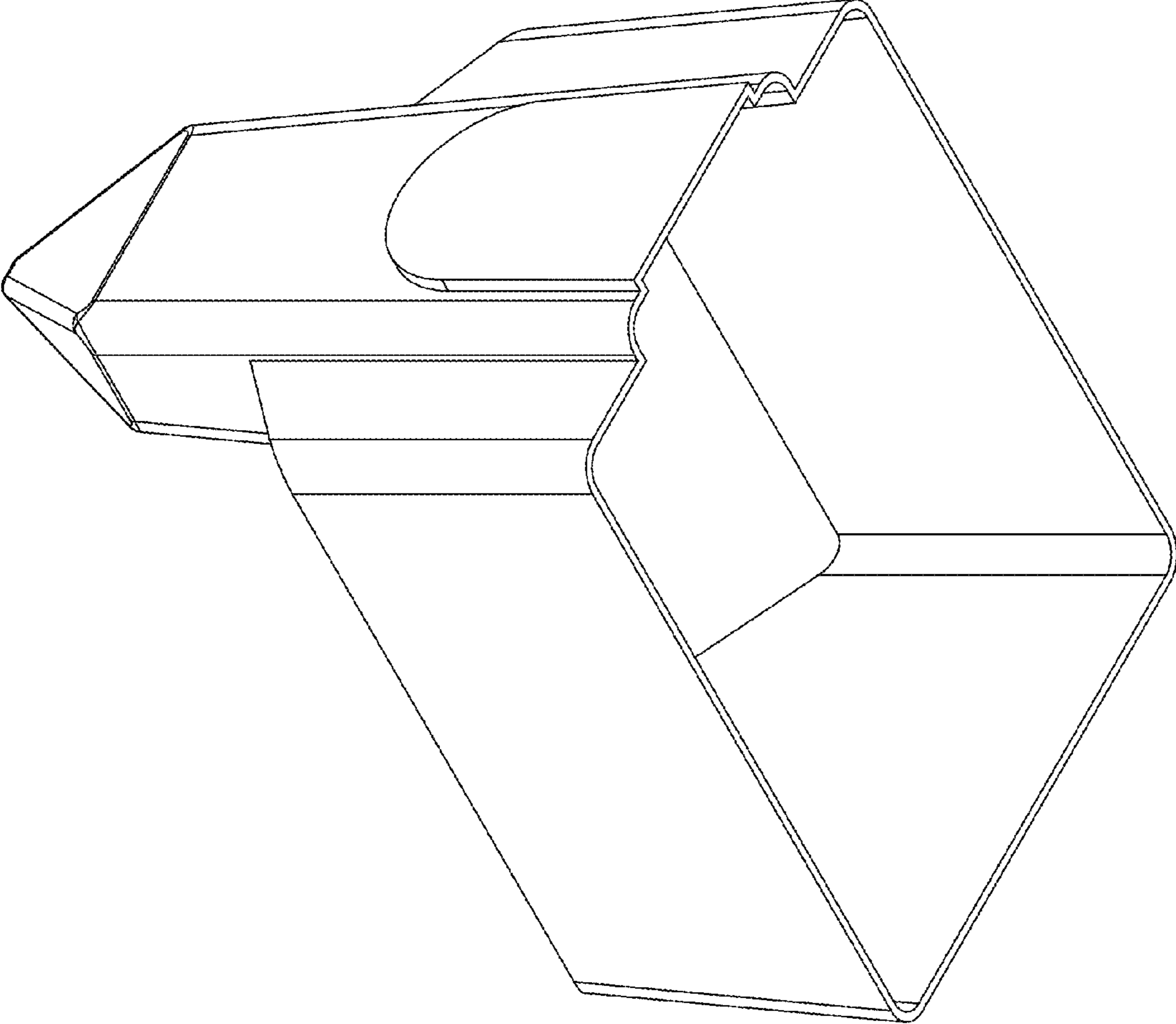


Fig 7

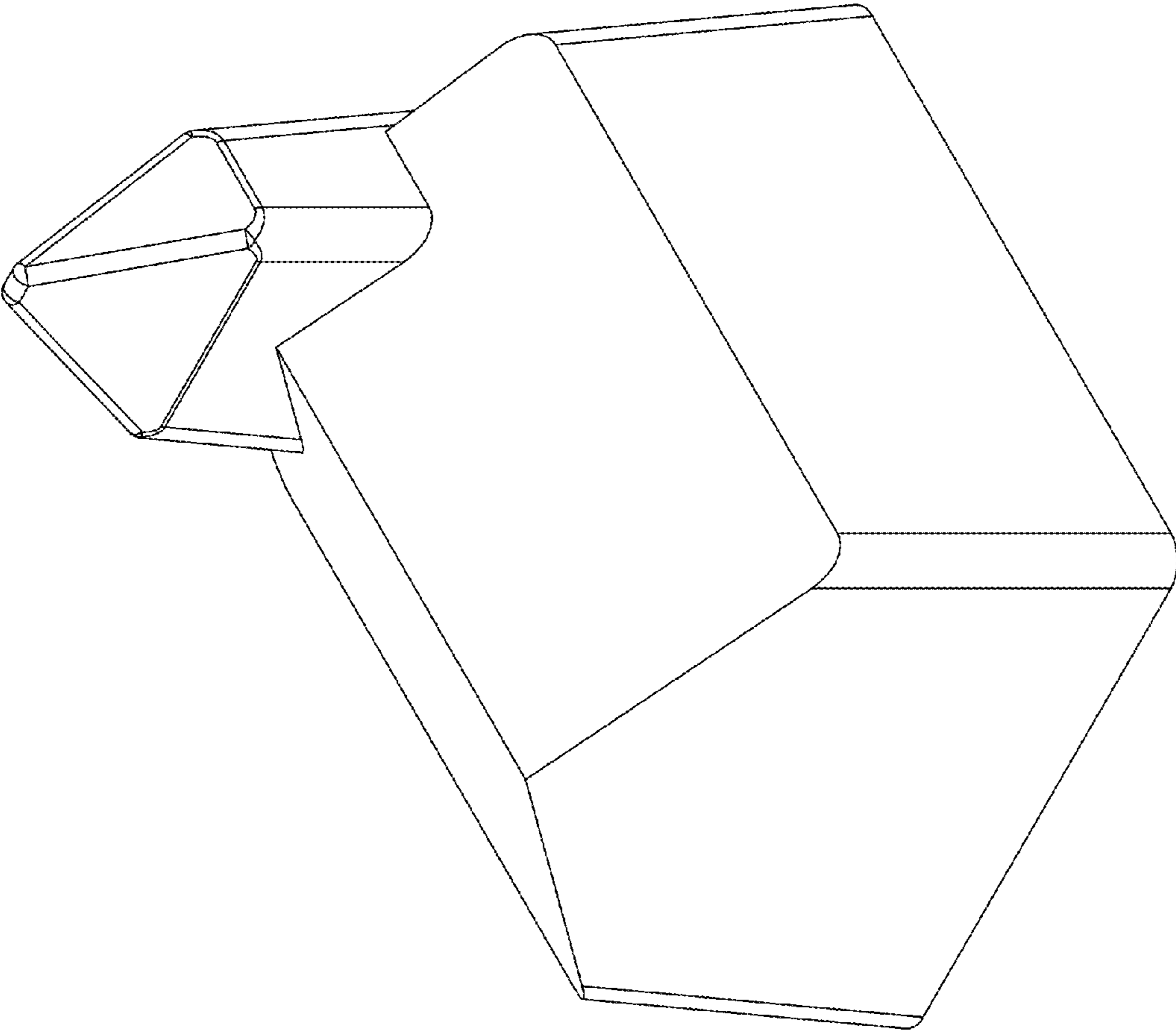


Fig 8

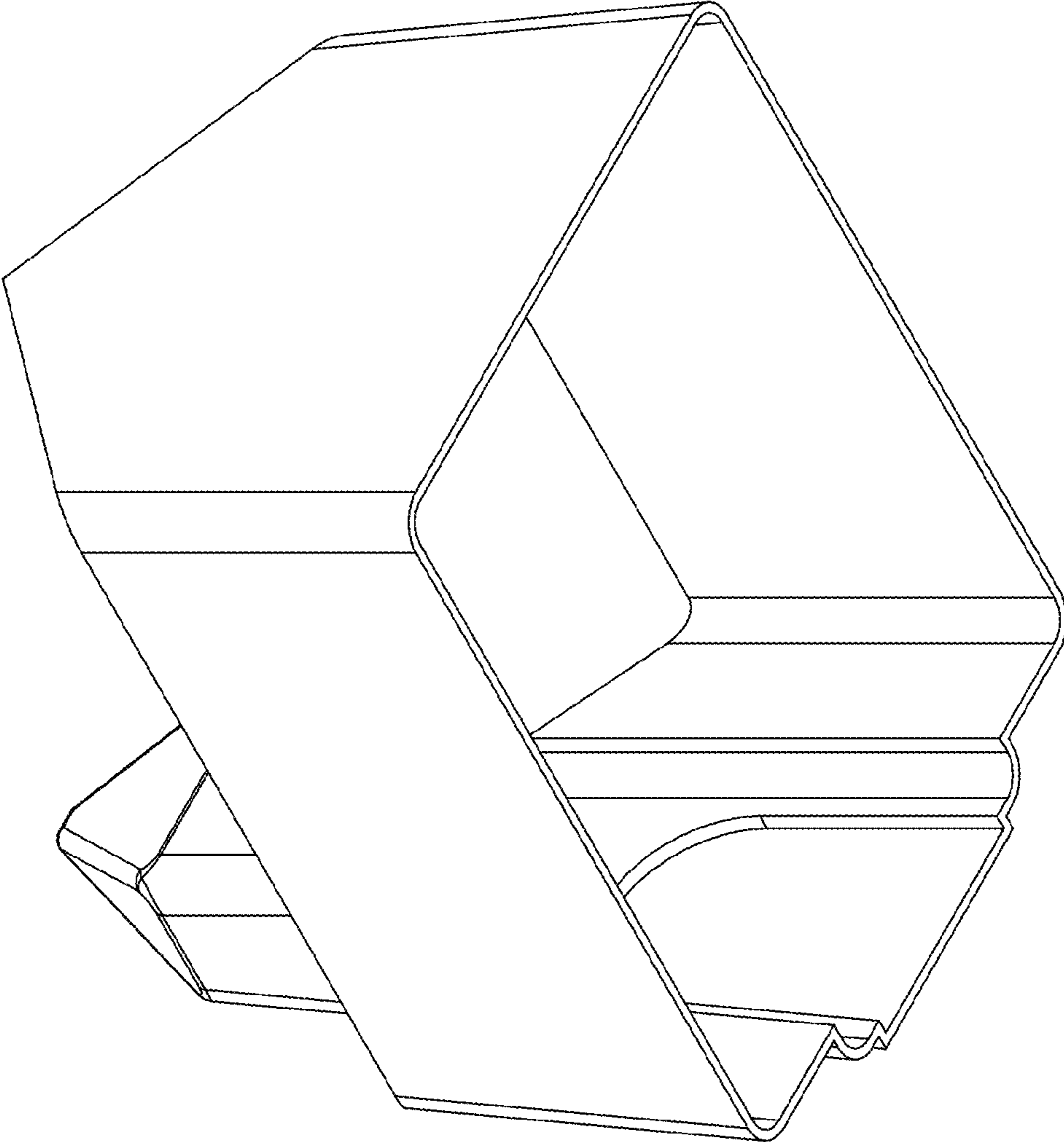


Fig 9