



US00D688316S

(12) **United States Design Patent**
Shelburn

(10) **Patent No.:** **US D688,316 S**

(45) **Date of Patent:** **** Aug. 20, 2013**

(54) **ROULETTE WHEEL OVERLAY**

(75) Inventor: **Timothy J. Shelburn**, Las Vegas, NV
(US)

(73) Assignee: **Vegas Game Point, LLC**, Las Vegas,
NV (US)

(**) Term: **14 Years**

(21) Appl. No.: **29/422,690**

(22) Filed: **May 23, 2012**

2010/0102507 A1* 4/2010 Bontempo et al. 273/142 R
2011/0001286 A1* 1/2011 Yokota 273/142 E
2011/0163497 A1* 7/2011 Hancock 273/142 R

* cited by examiner

Primary Examiner — Sandra Morris

(74) *Attorney, Agent, or Firm* — Howard & Howard
Attorneys PLLC

(57) **CLAIM**

The ornamental design for a roulette wheel overlay, as shown
and described herein.

Related U.S. Application Data

(63) Continuation-in-part of application No. 29/417,446,
filed on Apr. 3, 2012.

(51) **LOC (9) Cl.** **21-03**

(52) **U.S. Cl.**
USPC **D21/375**

(58) **Field of Classification Search**
USPC D21/374–375; 273/142 R, 142 E,
273/142 F, 142 G

See application file for complete search history.

(56) **References Cited**

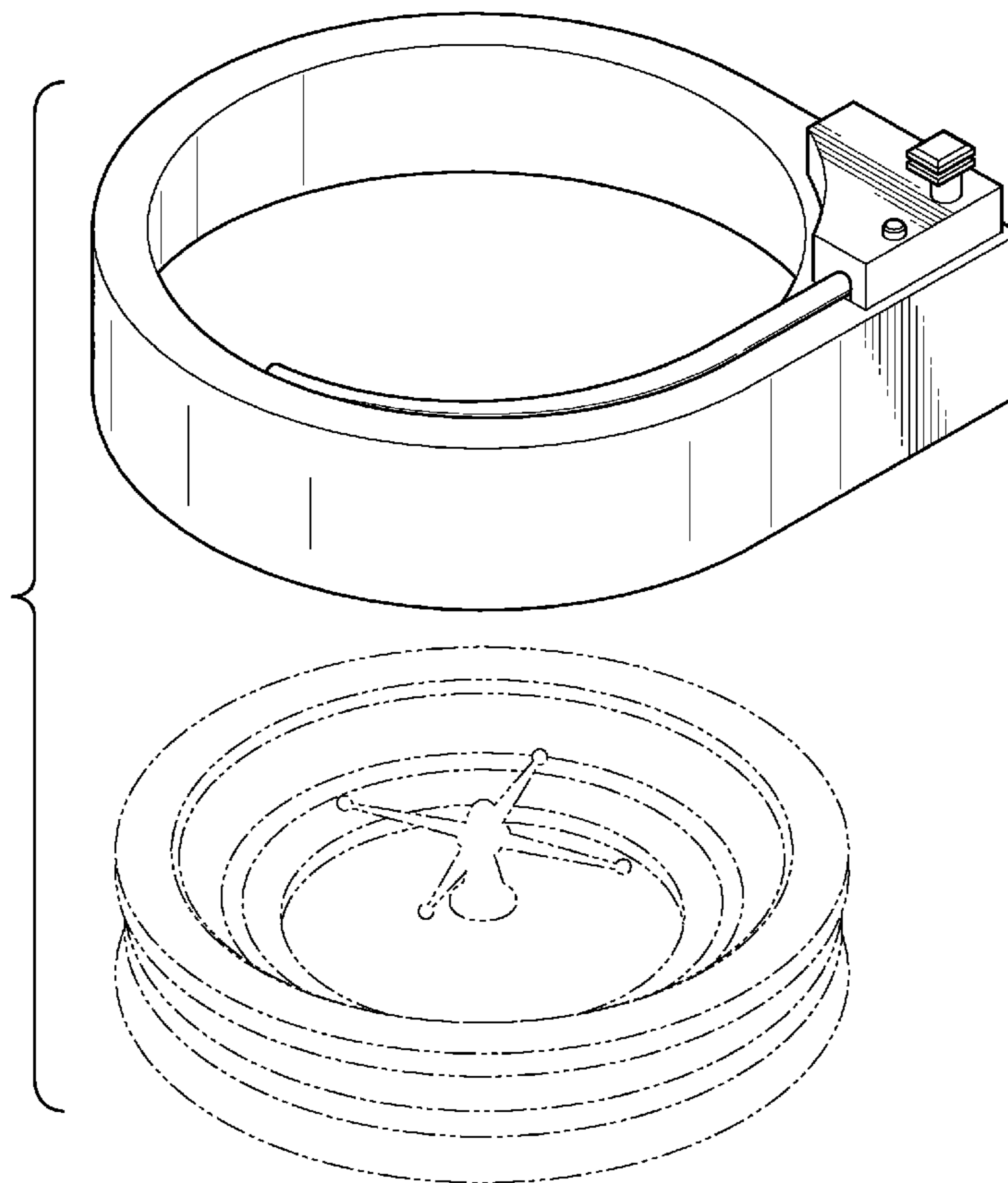
U.S. PATENT DOCUMENTS

7,669,853 B2* 3/2010 Jones 273/142 R
8,257,134 B2* 9/2012 Zulloff 446/220

DESCRIPTION

FIG. 1 is a perspective view of the roulette wheel overlay;
FIG. 2 is a top view of the roulette wheel overlay;
FIG. 3 is a bottom view of the roulette wheel overlay;
FIG. 4 is a side elevational view of the roulette wheel overlay;
FIG. 5 is a side elevational view of the opposing side of the
roulette wheel overlay;
FIG. 6 is a front elevational view of the roulette wheel over-
lay; and,
FIG. 7 is a rear elevational view of the roulette wheel overlay.
The broken lines describing a roulette wheel, as shown in
FIG. 1, are for illustrative purposes only and form no part of
the claimed design.

1 Claim, 5 Drawing Sheets



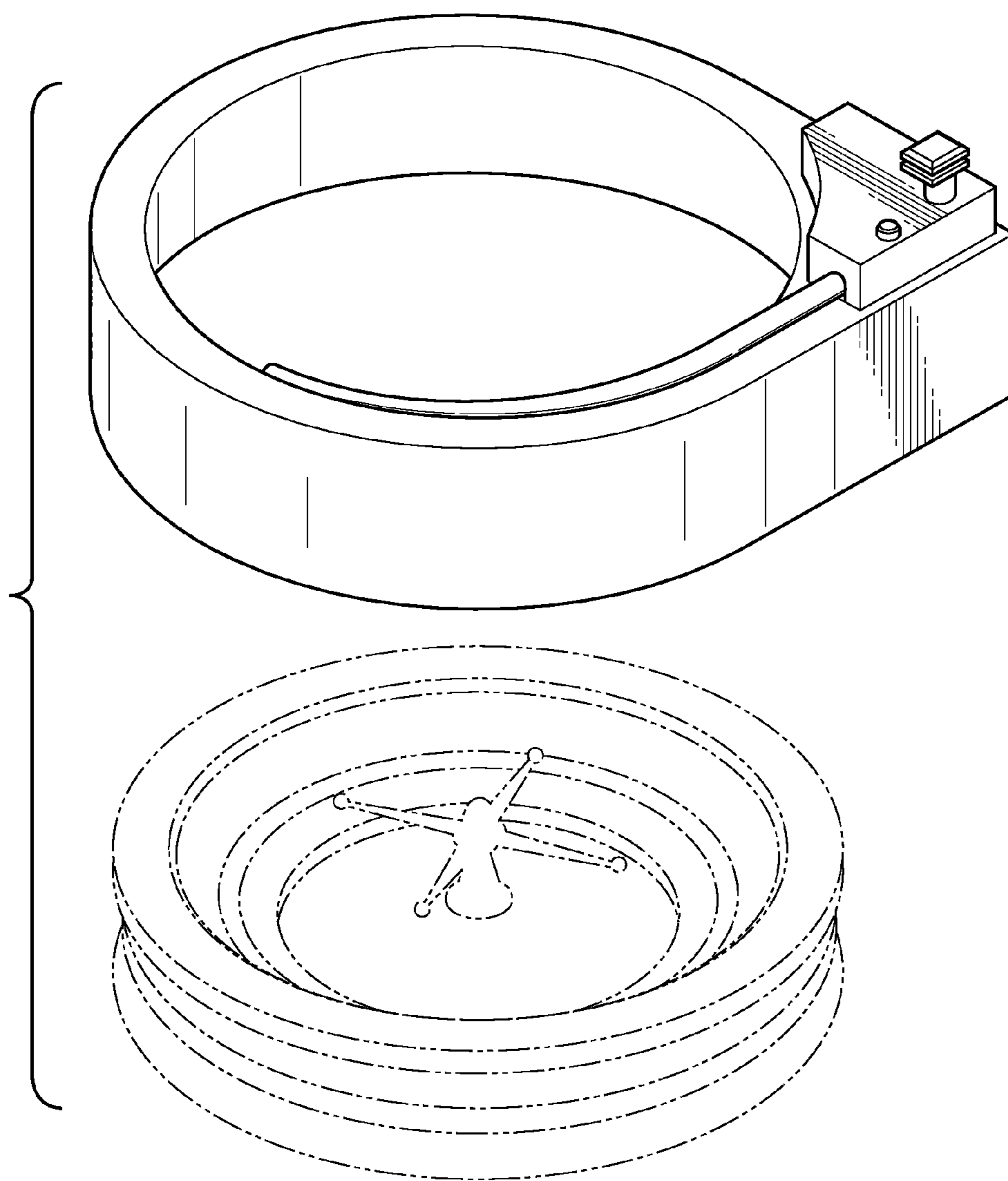


FIG. 1

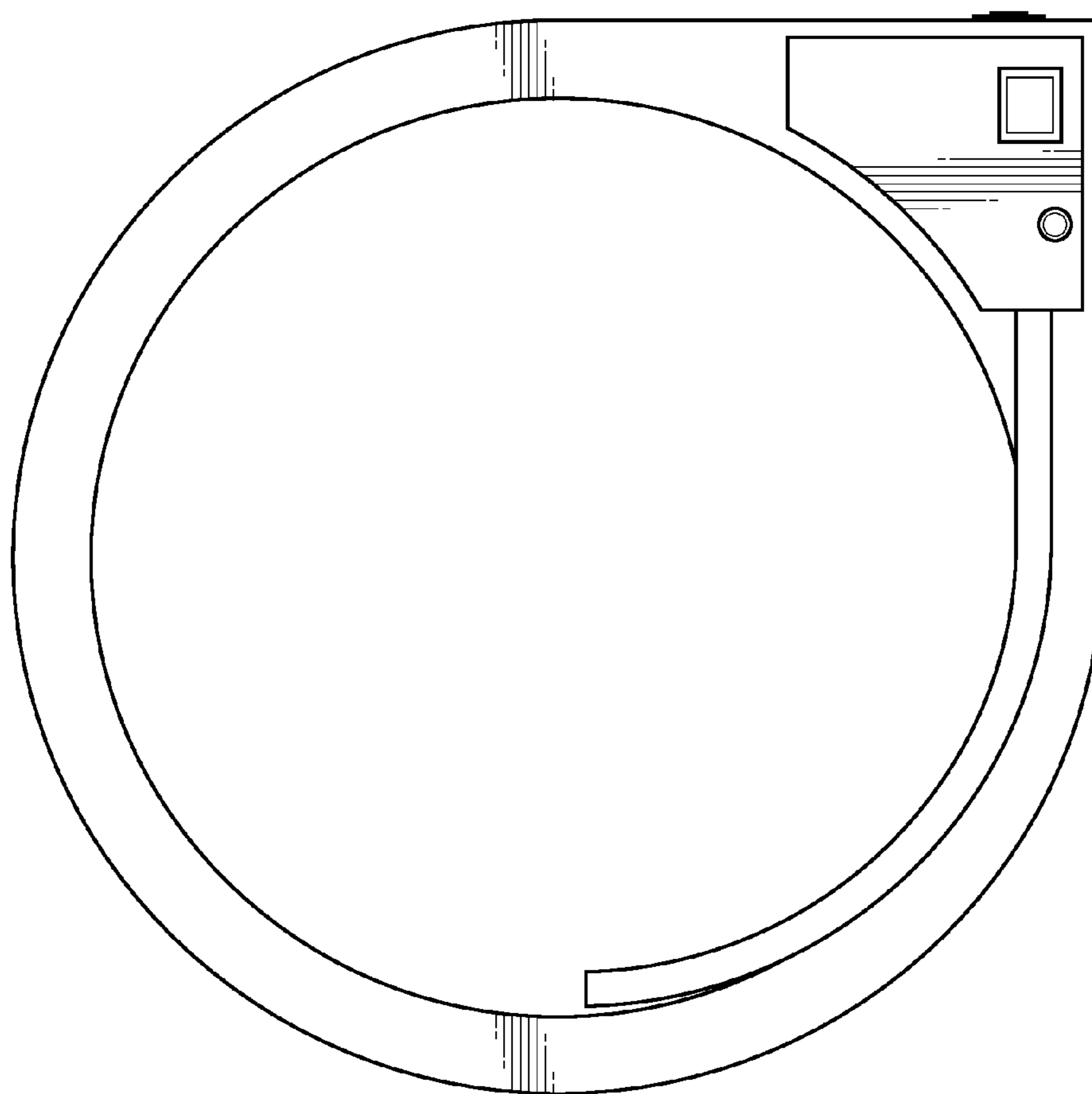


FIG. 2

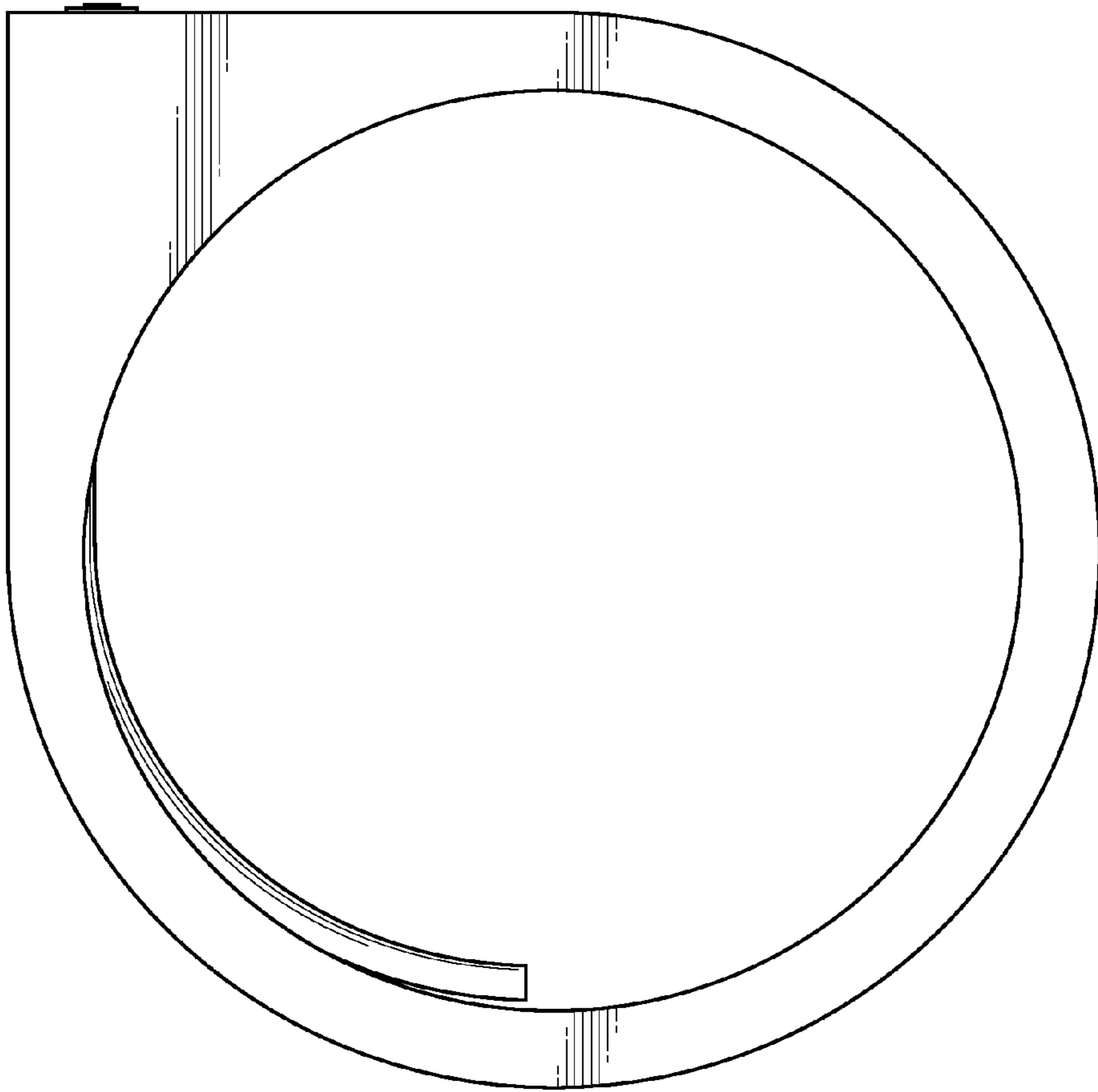


FIG. 3

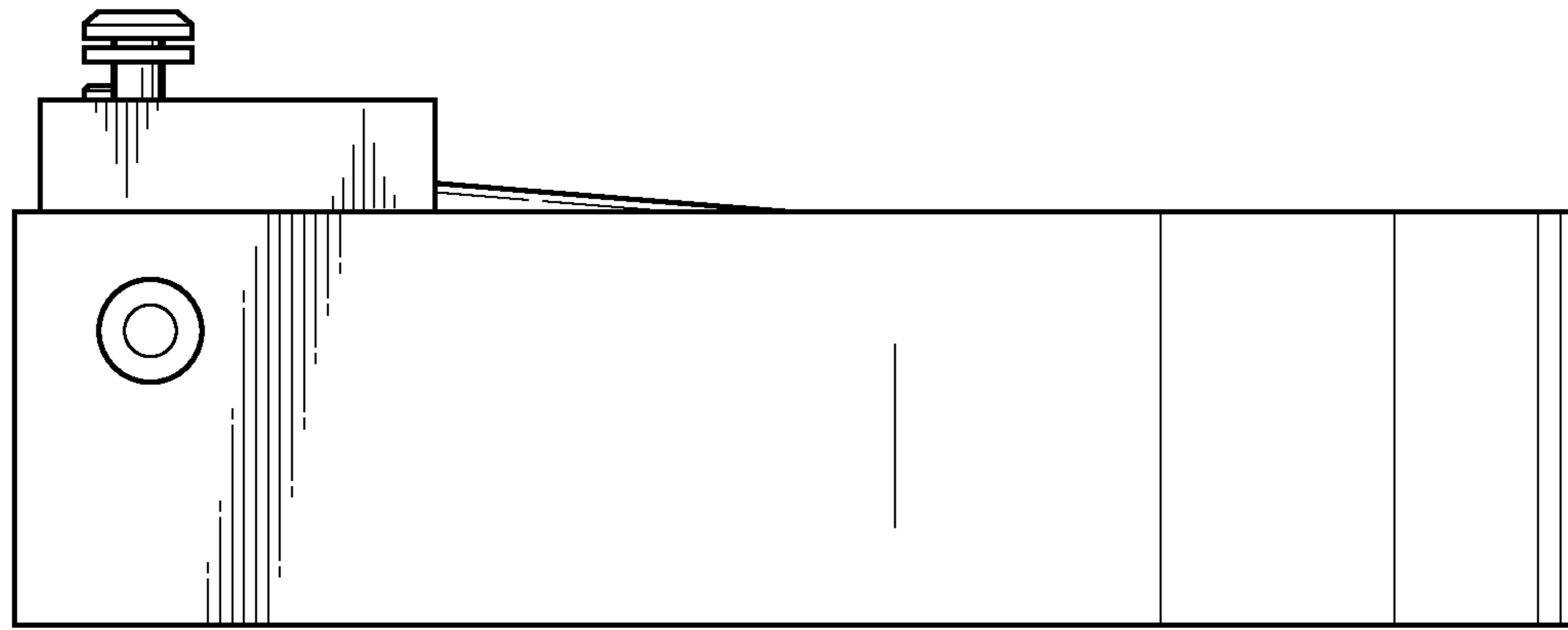


FIG. 4

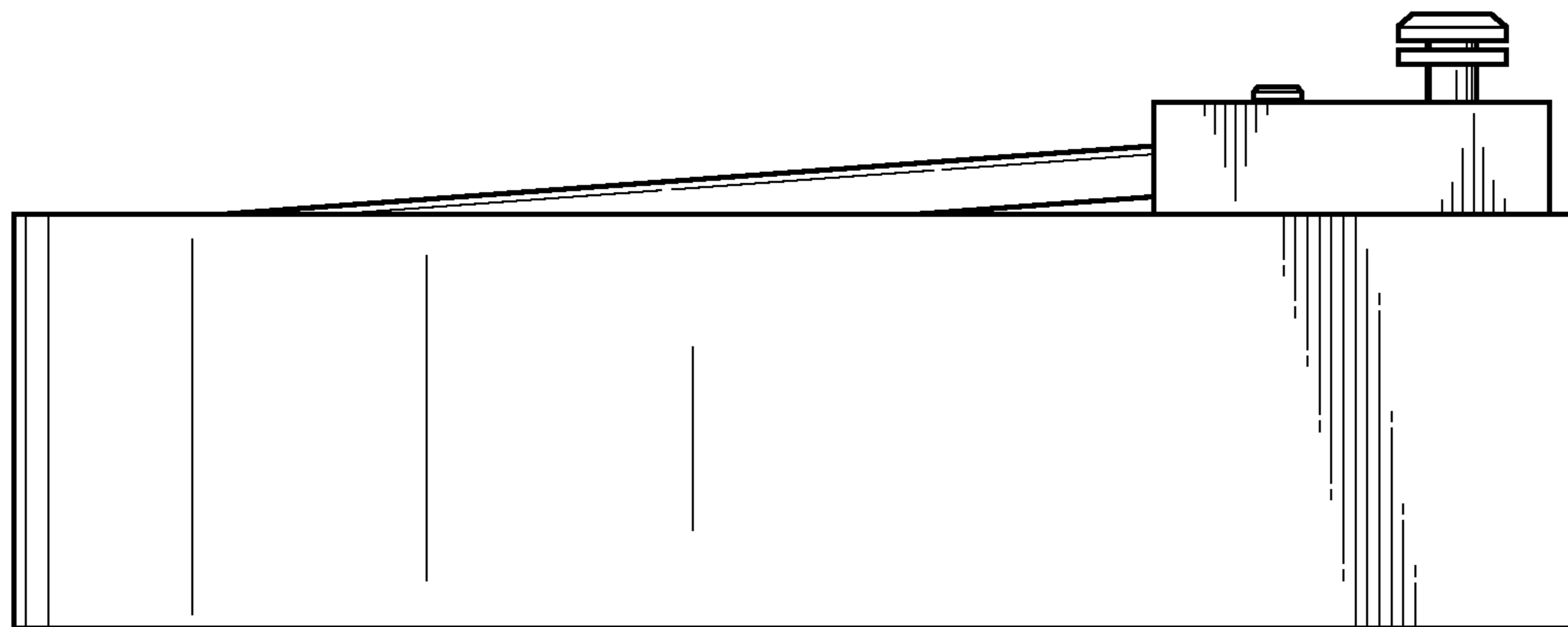


FIG. 5

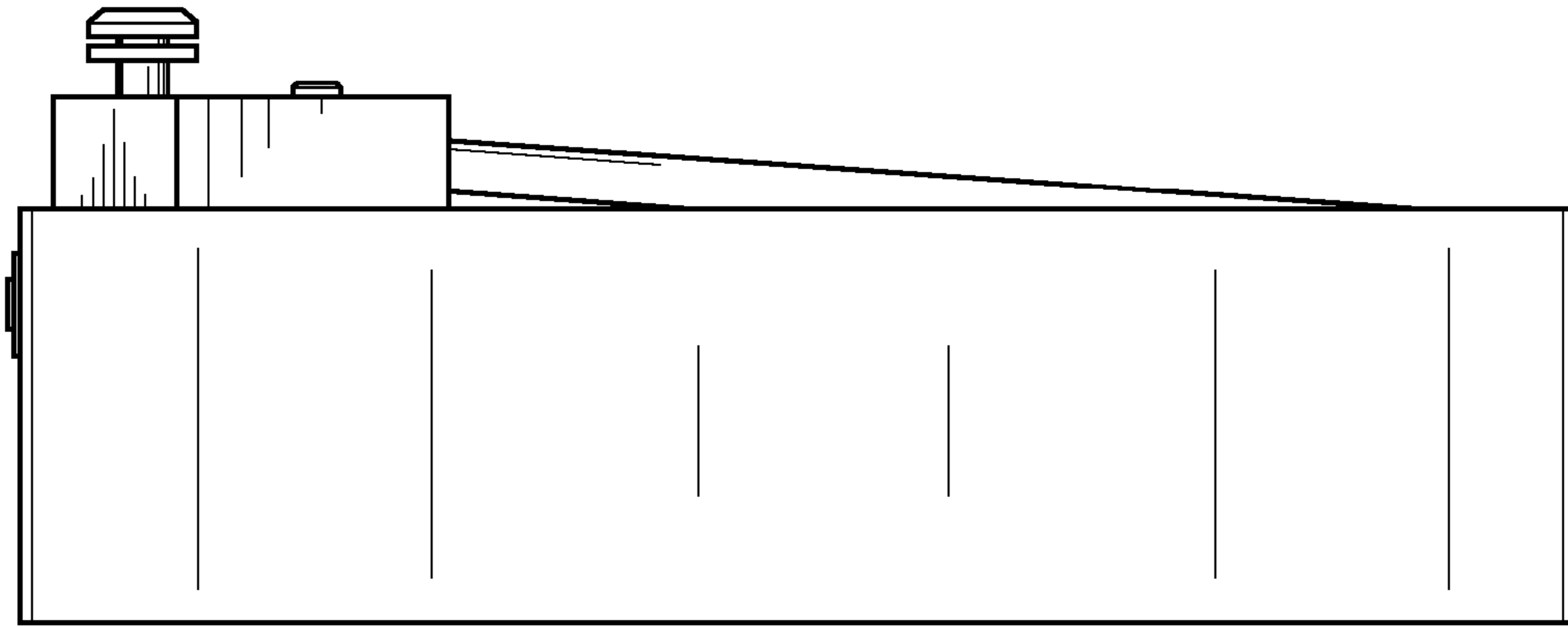


FIG. 6

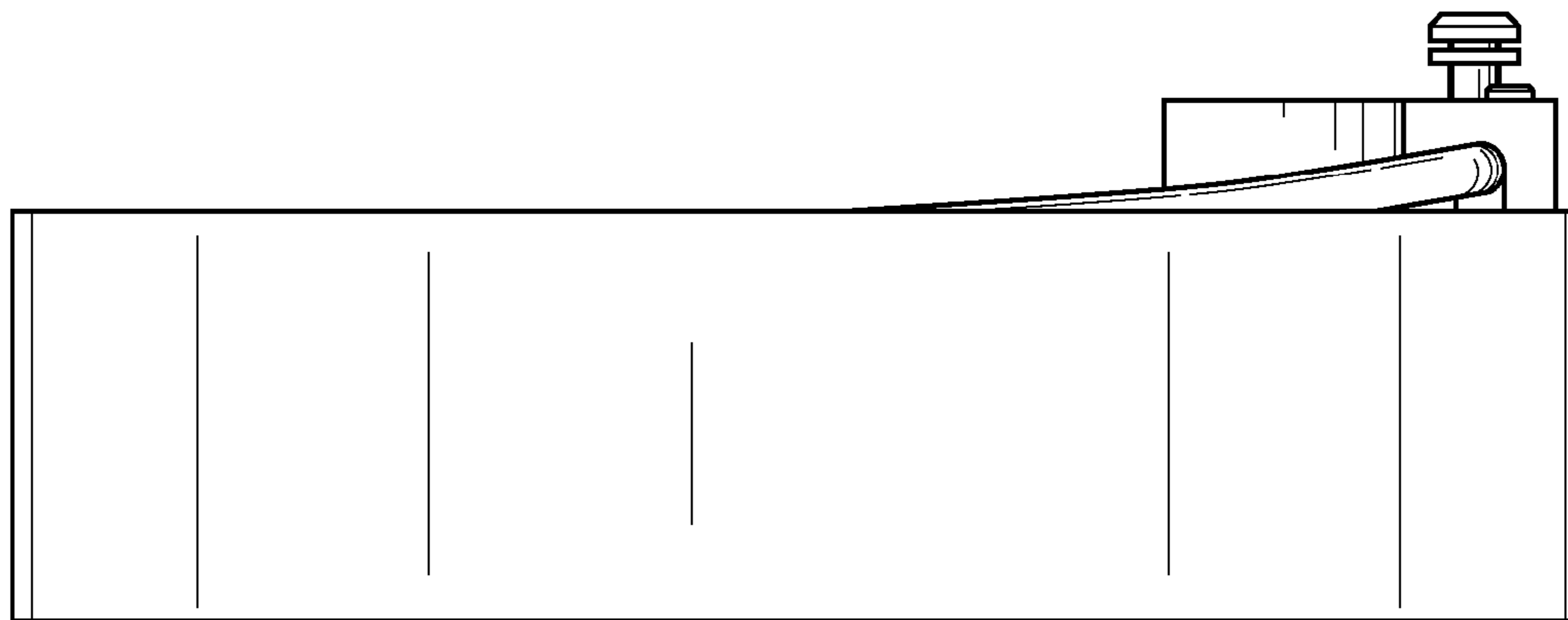


FIG. 7