



US00D688315S

(12) **United States Design Patent**
Shelburn

(10) **Patent No.:** **US D688,315 S**

(45) **Date of Patent:** **** Aug. 20, 2013**

(54) **ROULETTE WHEEL OVERLAY**

2011/0163497 A1* 7/2011 Hancock 273/142 R

(75) Inventor: **Timothy J. Shelburn**, Las Vegas, NV
(US)

* cited by examiner

(73) Assignee: **Vegas Game Point, LLC**, Las Vegas,
NV (US)

Primary Examiner — Sandra Morris

(74) *Attorney, Agent, or Firm* — Howard & Howard
Attorneys PLLC

(**) Term: **14 Years**

(57) **CLAIM**

The ornamental design for a roulette wheel overlay, as shown
and described herein.

(21) Appl. No.: **29/417,446**

(22) Filed: **Apr. 3, 2012**

DESCRIPTION

(51) **LOC (9) Cl.** **21-03**

(52) **U.S. Cl.**

USPC **D21/375**

(58) **Field of Classification Search**

USPC D21/374–375; 273/142 R, 142 E,
273/142 F, 142 G

See application file for complete search history.

FIG. 1 is a perspective view of the roulette wheel overlay;
FIG. 2 is a top view of the roulette wheel overlay;
FIG. 3 is a bottom view of the roulette wheel overlay;
FIG. 4 is a side elevational view of the roulette wheel overlay;
FIG. 5 is a side elevational view of the opposing side of the
roulette wheel overlay;
FIG. 6 is a front elevational view of the roulette wheel over-
lay; and,
FIG. 7 is a rear elevational view of the roulette wheel overlay.
The broken lines describing a roulette wheel, as shown in
FIG. 1, are for illustrative purposes only and form no part of
the claimed design.

(56) **References Cited**

U.S. PATENT DOCUMENTS

- 7,669,853 B2* 3/2010 Jones 273/142 R
- 8,257,134 B2* 9/2012 Zulloff 446/220
- 2010/0102507 A1* 4/2010 Bontempo et al. 273/142 R
- 2011/0001286 A1* 1/2011 Yokota 273/142 E

1 Claim, 5 Drawing Sheets

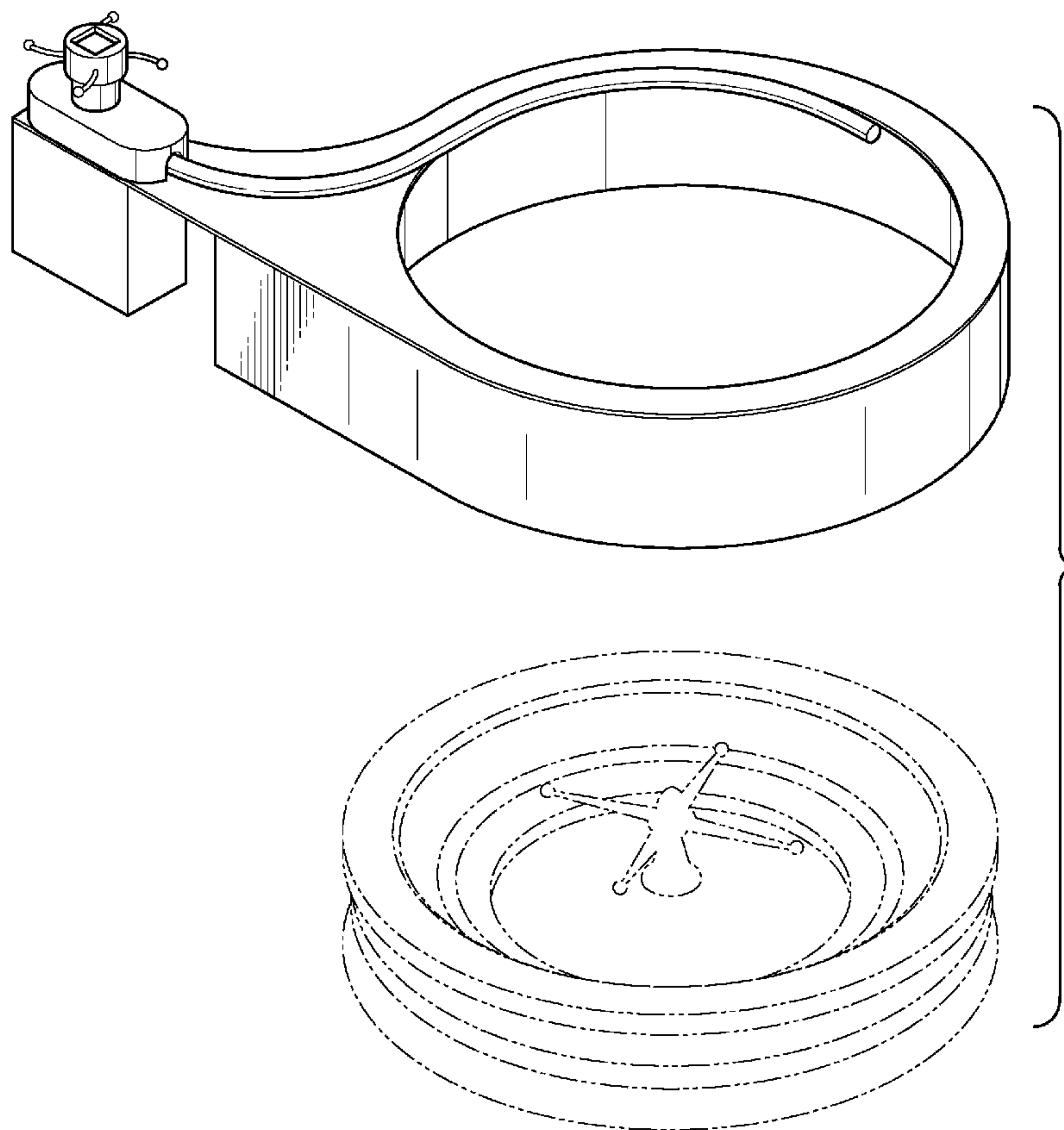
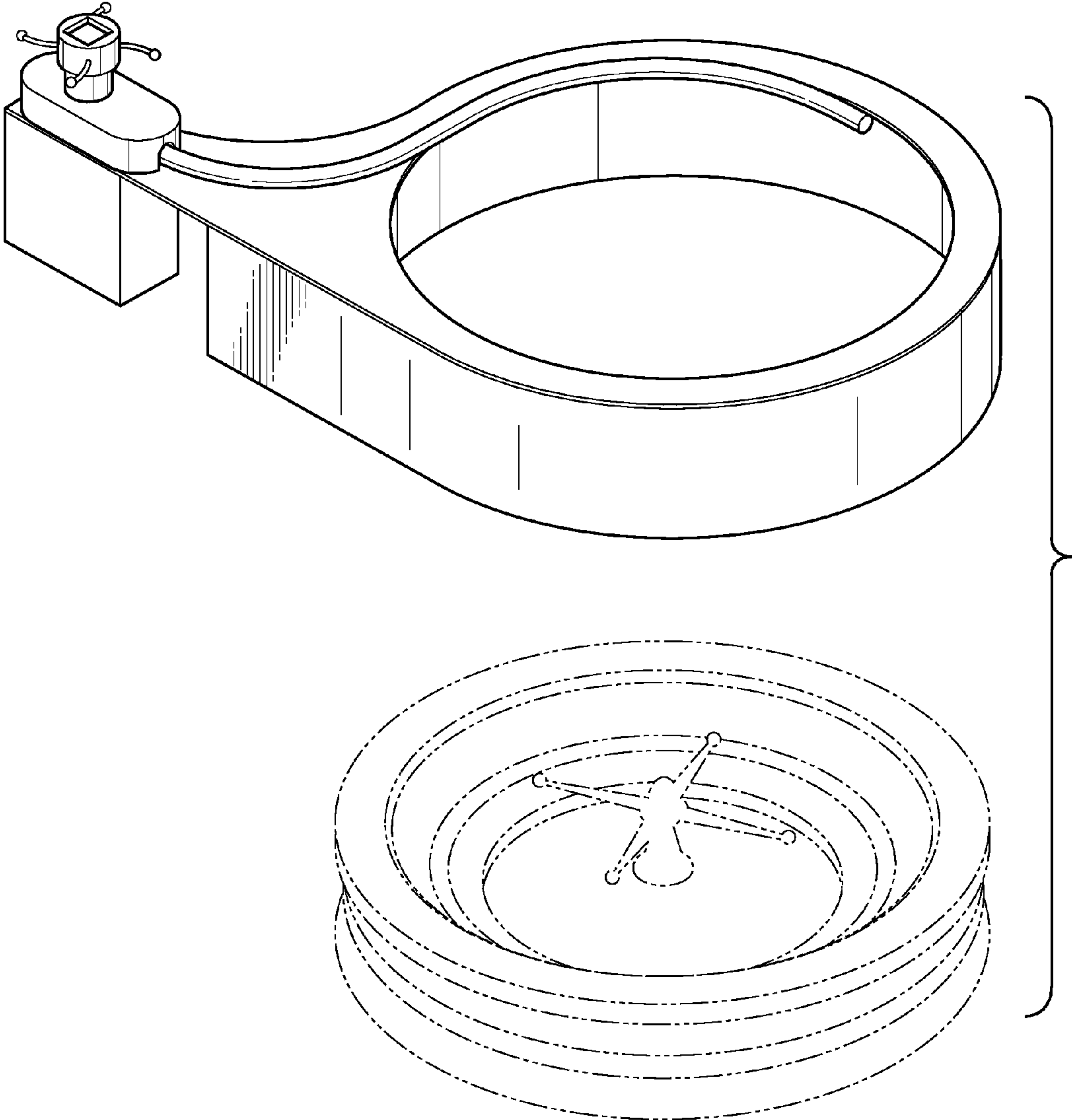


FIG. 1



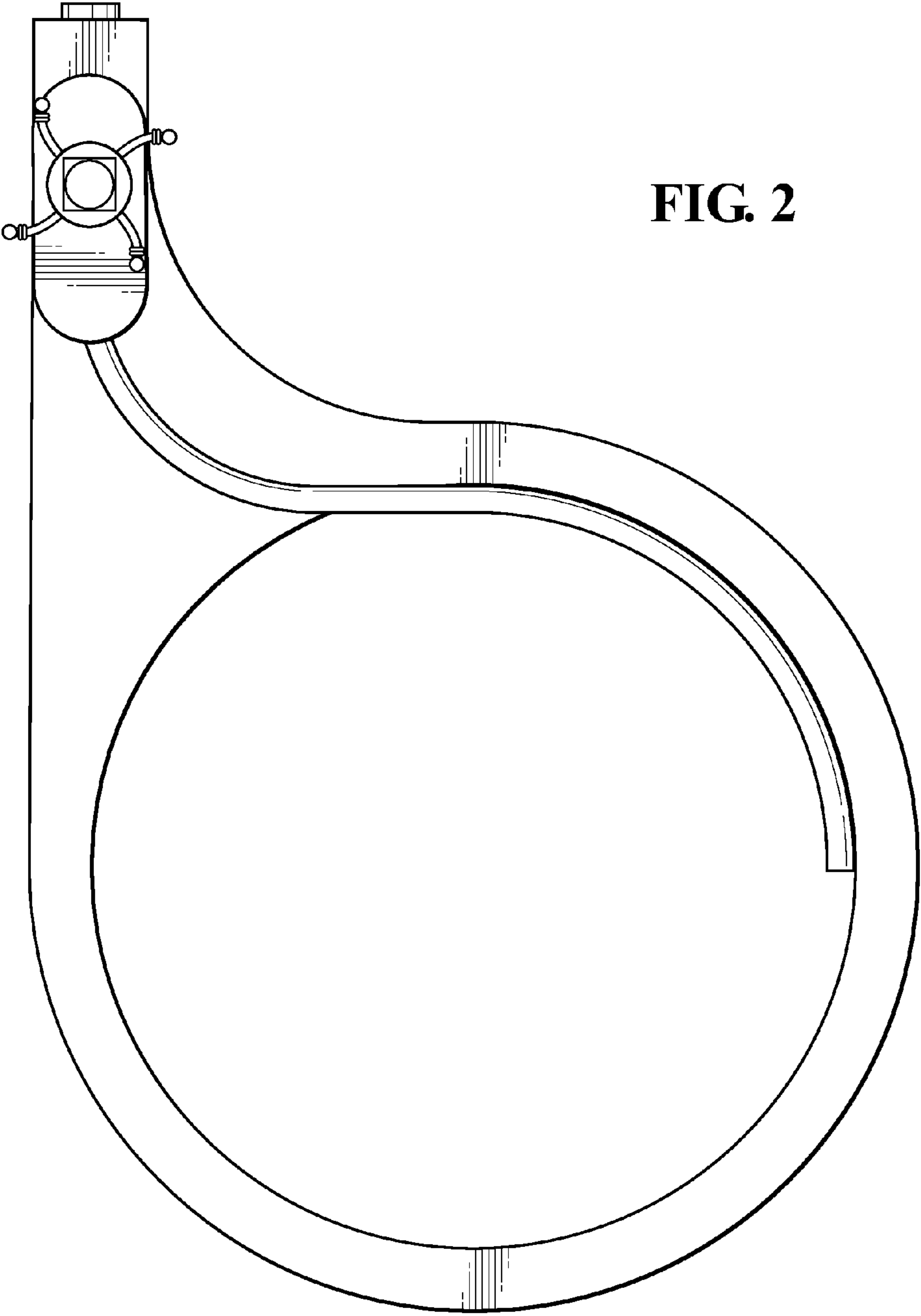
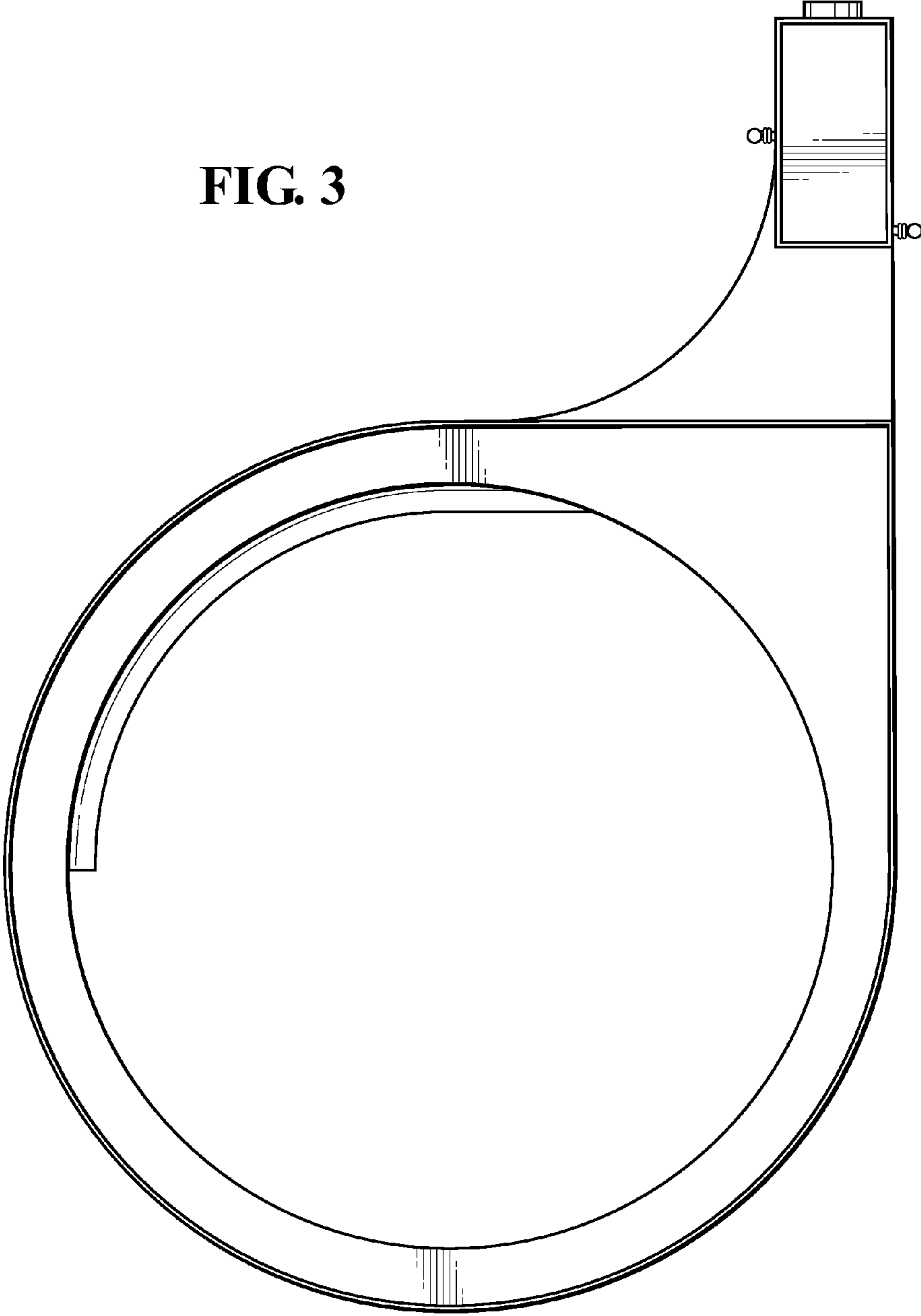
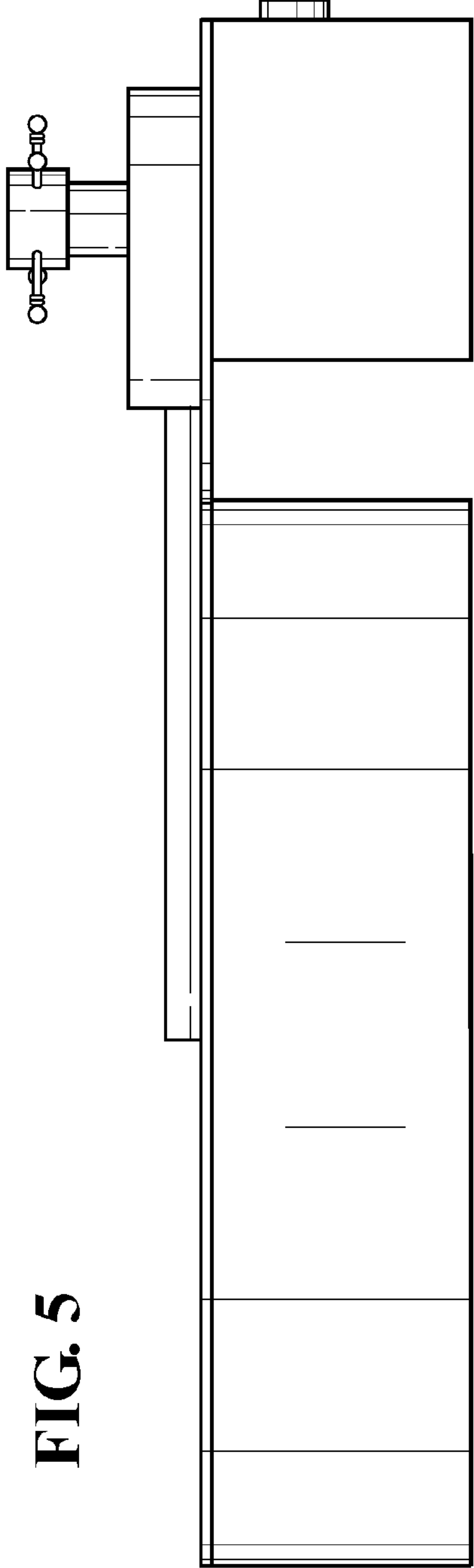
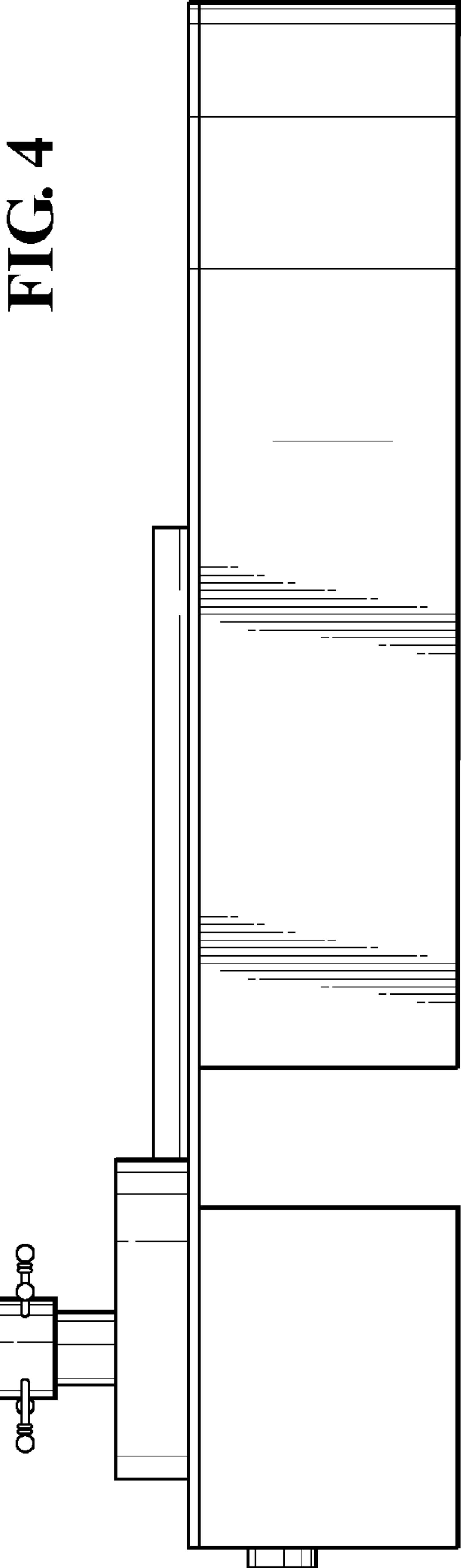


FIG. 2

FIG. 3





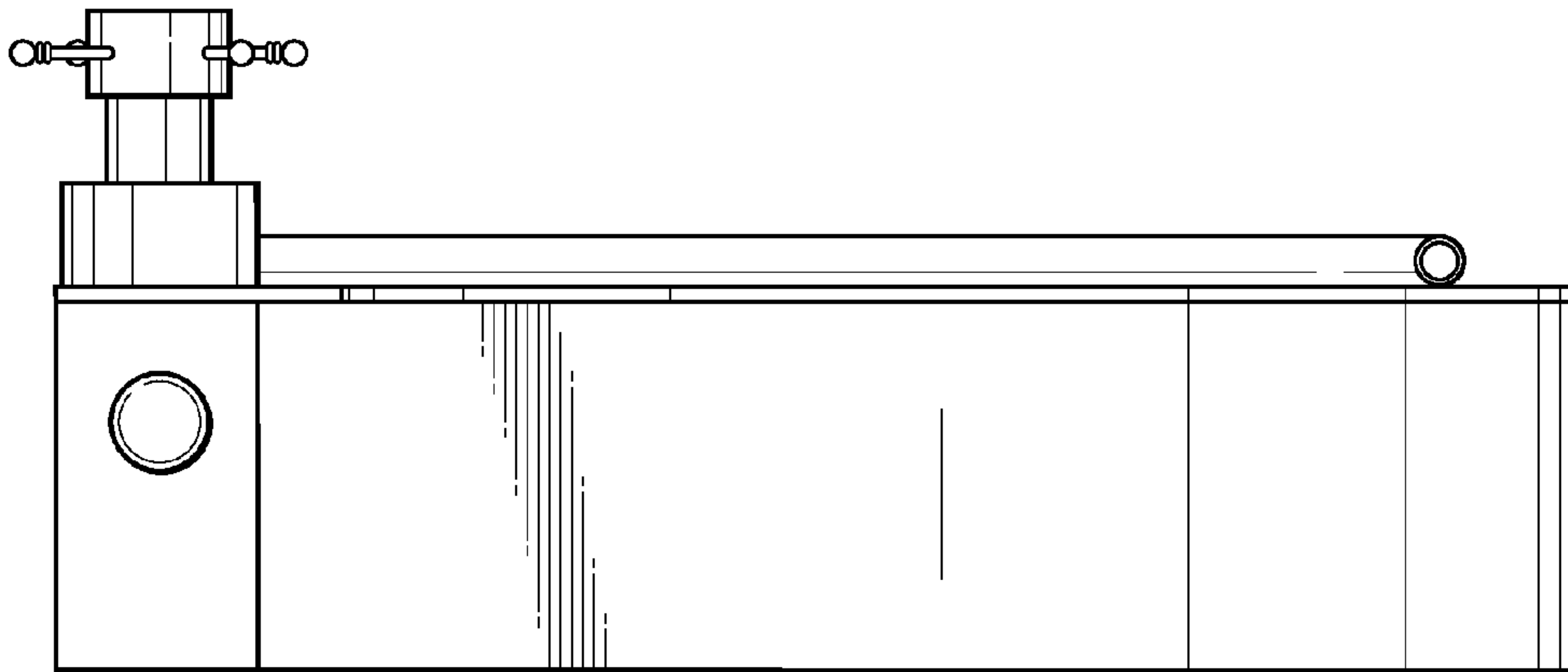


FIG. 6

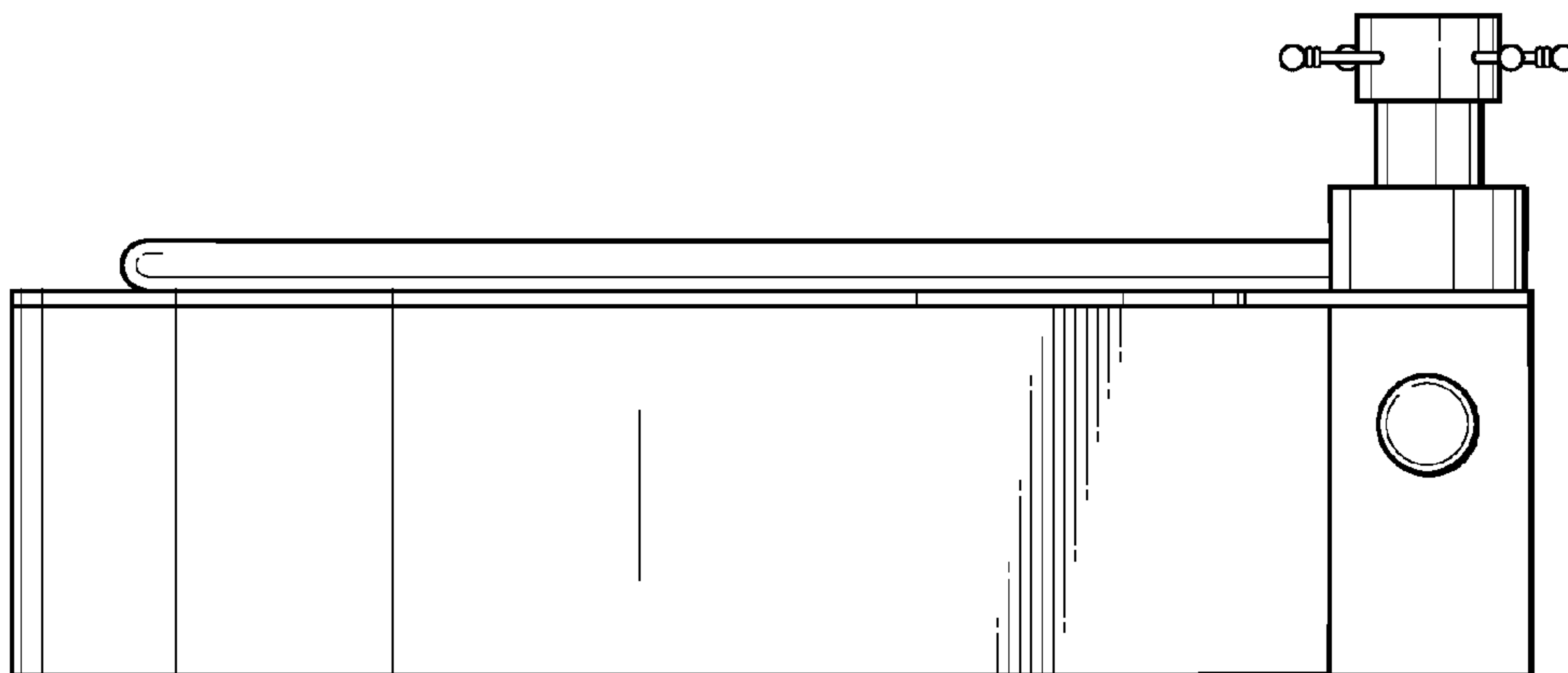


FIG. 7