



US00D688314S

(12) **United States Design Patent**
Slayton et al.

(10) **Patent No.:** **US D688,314 S**

(45) **Date of Patent:** **** Aug. 20, 2013**

(54) **CONTROLLER**

(56) **References Cited**

(75) Inventors: **David A. Slayton**, Burke, VA (US); **Dale E. Newcomb, Jr.**, Leesburg, VA (US); **Jack Amis**, Plymouth, MN (US); **Dan Ewert**, Shakopee, MN (US); **Carl Douglas Walker**, Front Royal, VA (US); **Susana Bacallao Slayton**, Burke, VA (US)

U.S. PATENT DOCUMENTS

3,655,192	A *	4/1972	Hall et al.	463/51
5,253,068	A *	10/1993	Crook et al.	348/734
5,569,085	A *	10/1996	Igarashi et al.	463/49
D398,661	S *	9/1998	Lee	D21/333
D416,013	S *	11/1999	Muraki et al.	D14/418
D433,074	S *	10/2000	Clemmer	D21/324
D436,108	S *	1/2001	Lee	D14/418
6,902,483	B2 *	6/2005	Lin	463/37
D521,568	S *	5/2006	Hussaini et al.	D21/333
D541,806	S *	5/2007	Wada	D14/418
D614,624	S *	4/2010	Zhang	D14/418
D654,118	S *	2/2012	Sogabe	D21/333
D666,248	S *	8/2012	Karacal et al.	D21/333

(73) Assignee: **Dynamic Animation Systems, Inc.**,
Fairfax, VA (US)

* cited by examiner

(**) Term: **14 Years**

Primary Examiner — Prabhakar Deshmukh

(74) *Attorney, Agent, or Firm* — Greenberg Traurig, LLP

(21) Appl. No.: **29/419,491**

(57) **CLAIM**

The ornamental design for a controller, as shown and described.

(22) Filed: **Apr. 27, 2012**

DESCRIPTION

(51) **LOC (9) Cl.** **21-01**

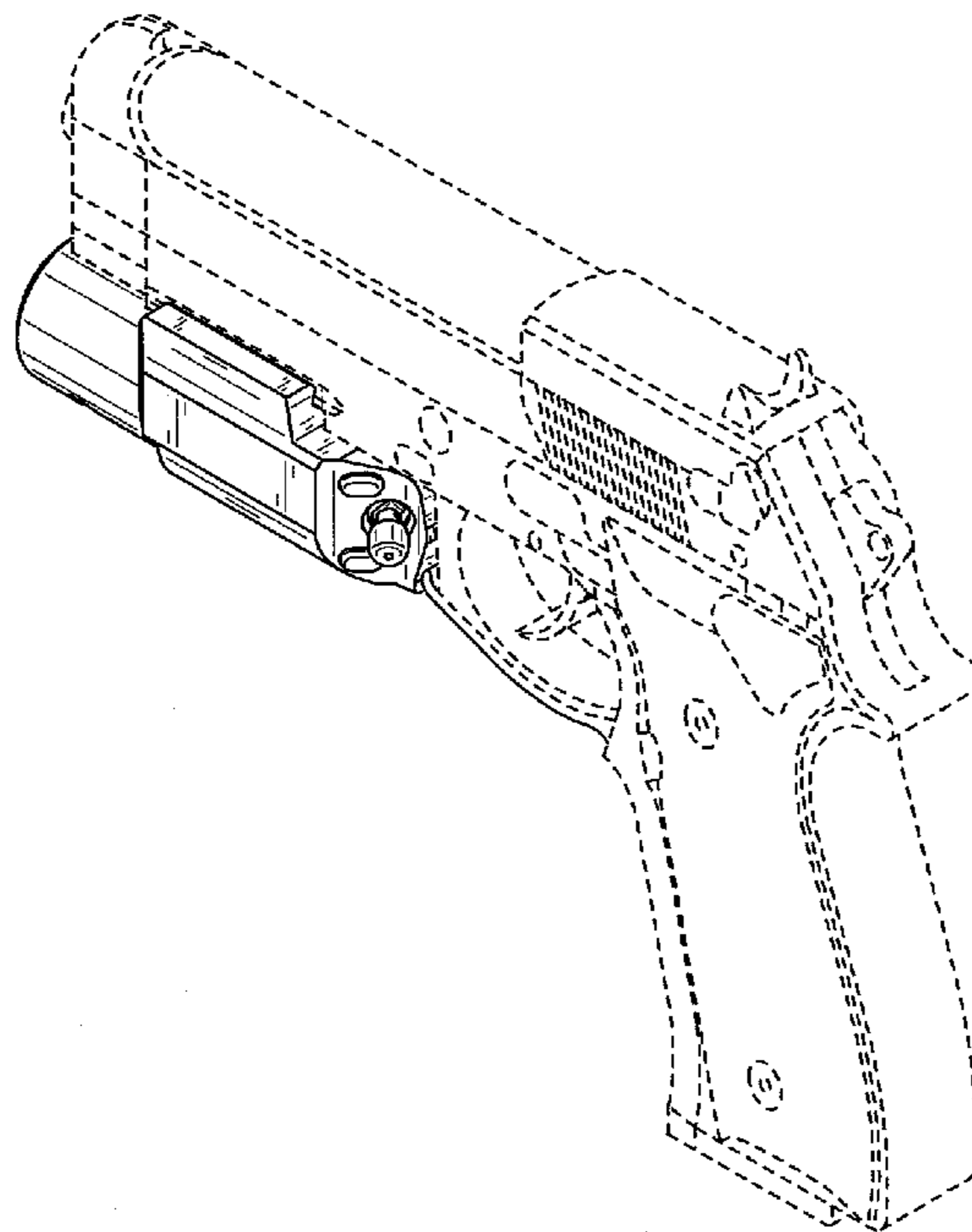
(52) **U.S. Cl.**
USPC **D21/333; D14/418**

(58) **Field of Classification Search**
USPC D14/218, 432, 356, 358, 440, 400,
D14/401, 418; D21/332, 333, 324, 328;
273/148 B; 463/1, 29-47; D3/218, 301;
361/807-810; 248/689, 690, 309.1, 314,
248/346.01, 346.03, 346.06, 346.04; 206/320,
206/305

FIG. 1 is a perspective view of a controller showing our new design;
FIG. 2 is a front elevational view thereof;
FIG. 3 is a rear elevational view thereof;
FIG. 4 is a right side elevational view thereof;
FIG. 5 is a left side elevational view thereof;
FIG. 6 is a top plan view thereof; and,
FIG. 7 is a bottom plan view thereof.
The broken lines are for illustrative purpose only and form no part of the claimed design.

See application file for complete search history.

1 Claim, 5 Drawing Sheets



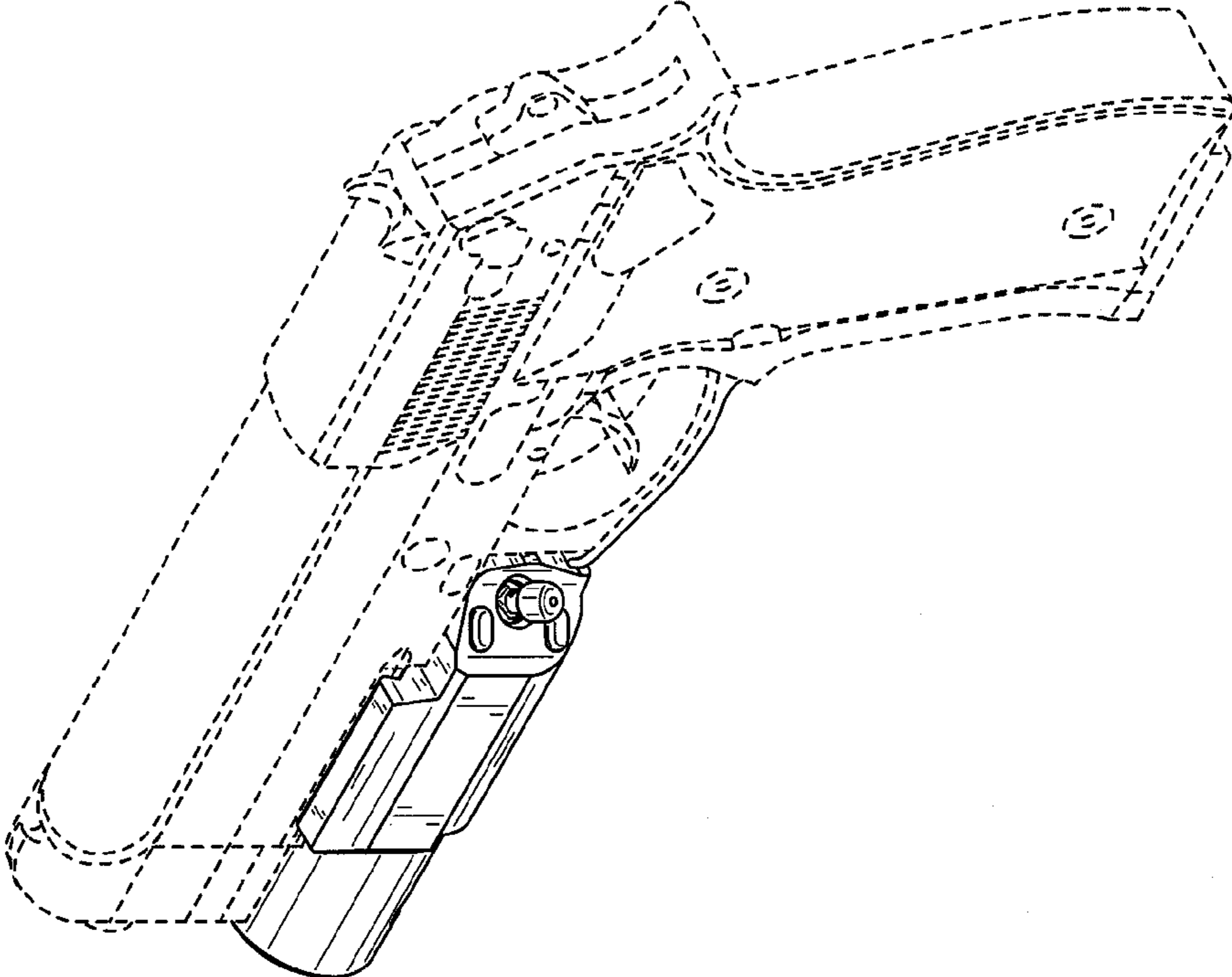


FIG. 1

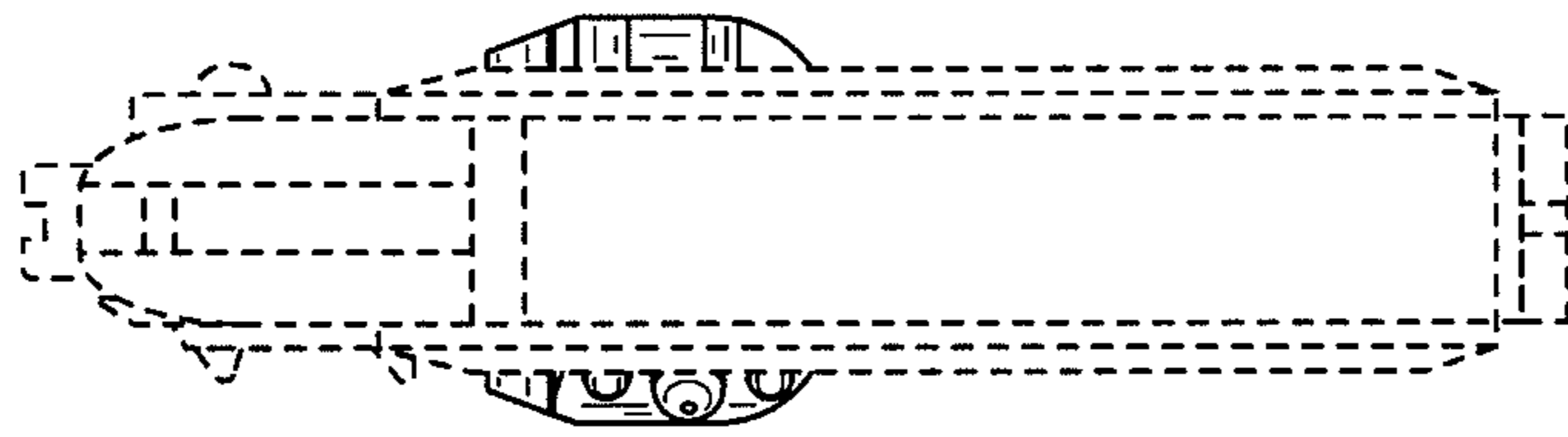


FIG. 3

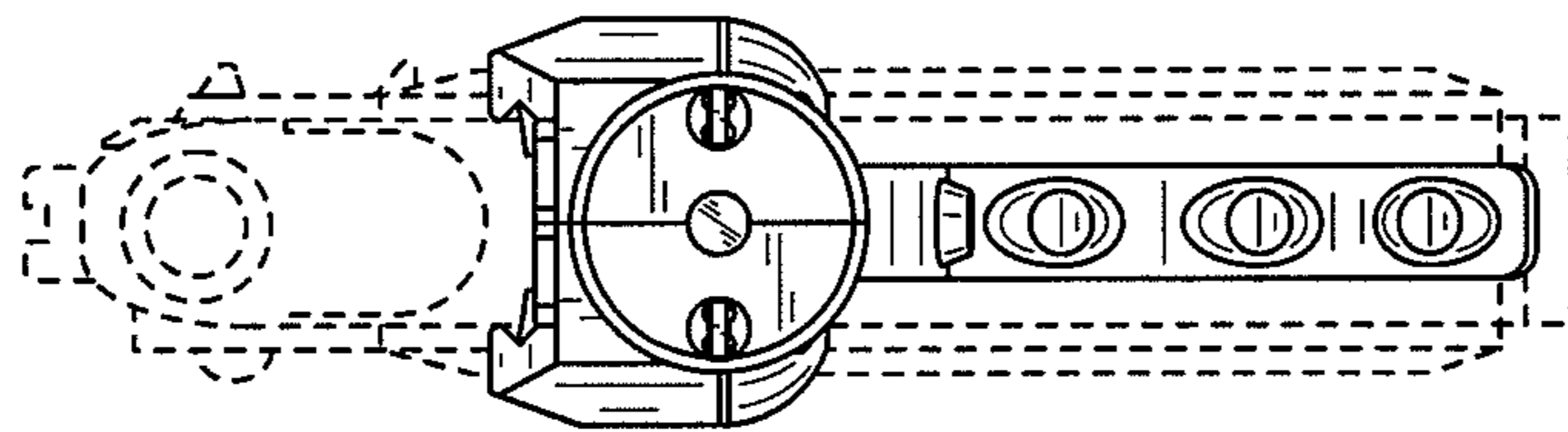


FIG. 2

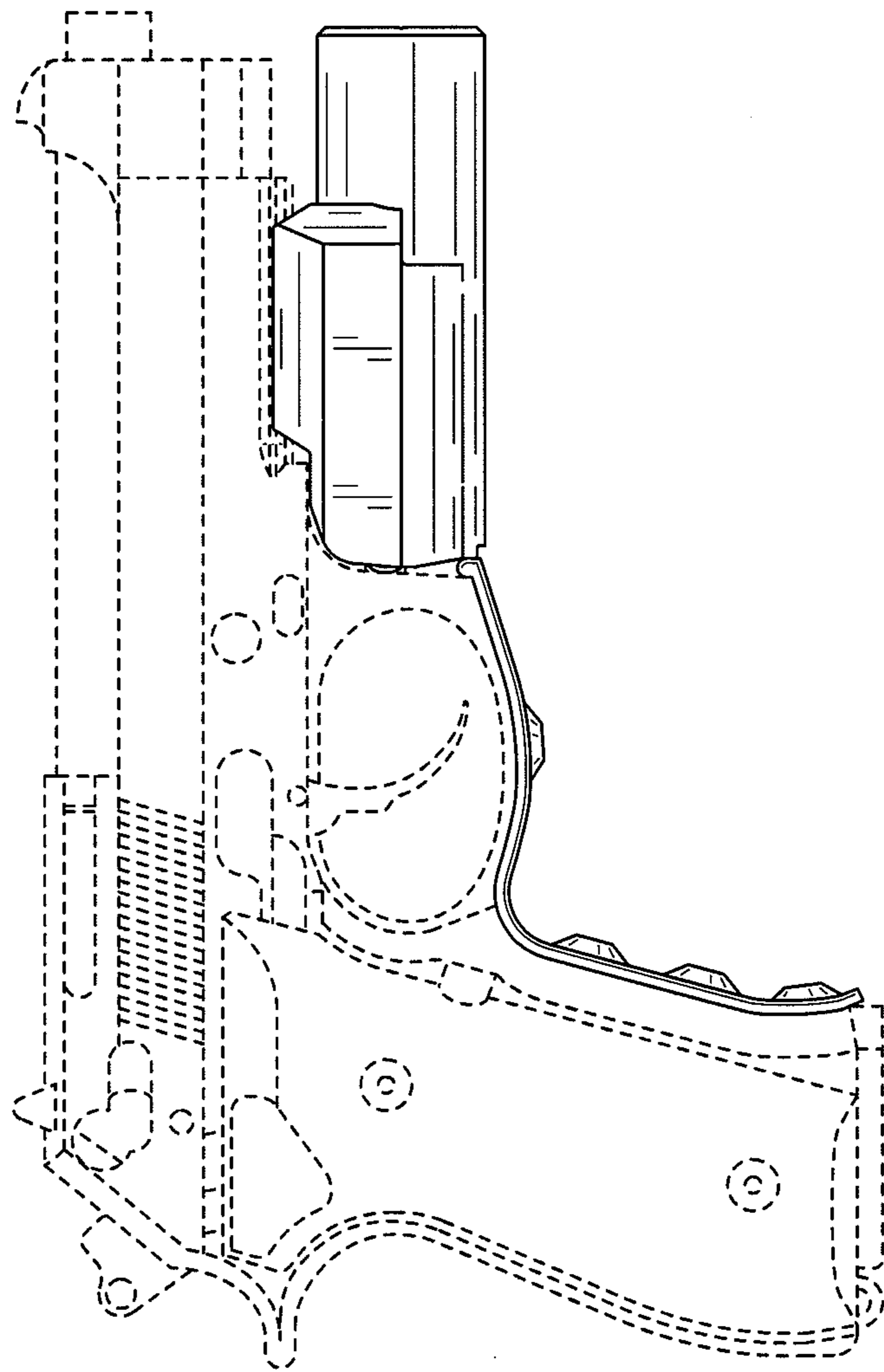


FIG. 4

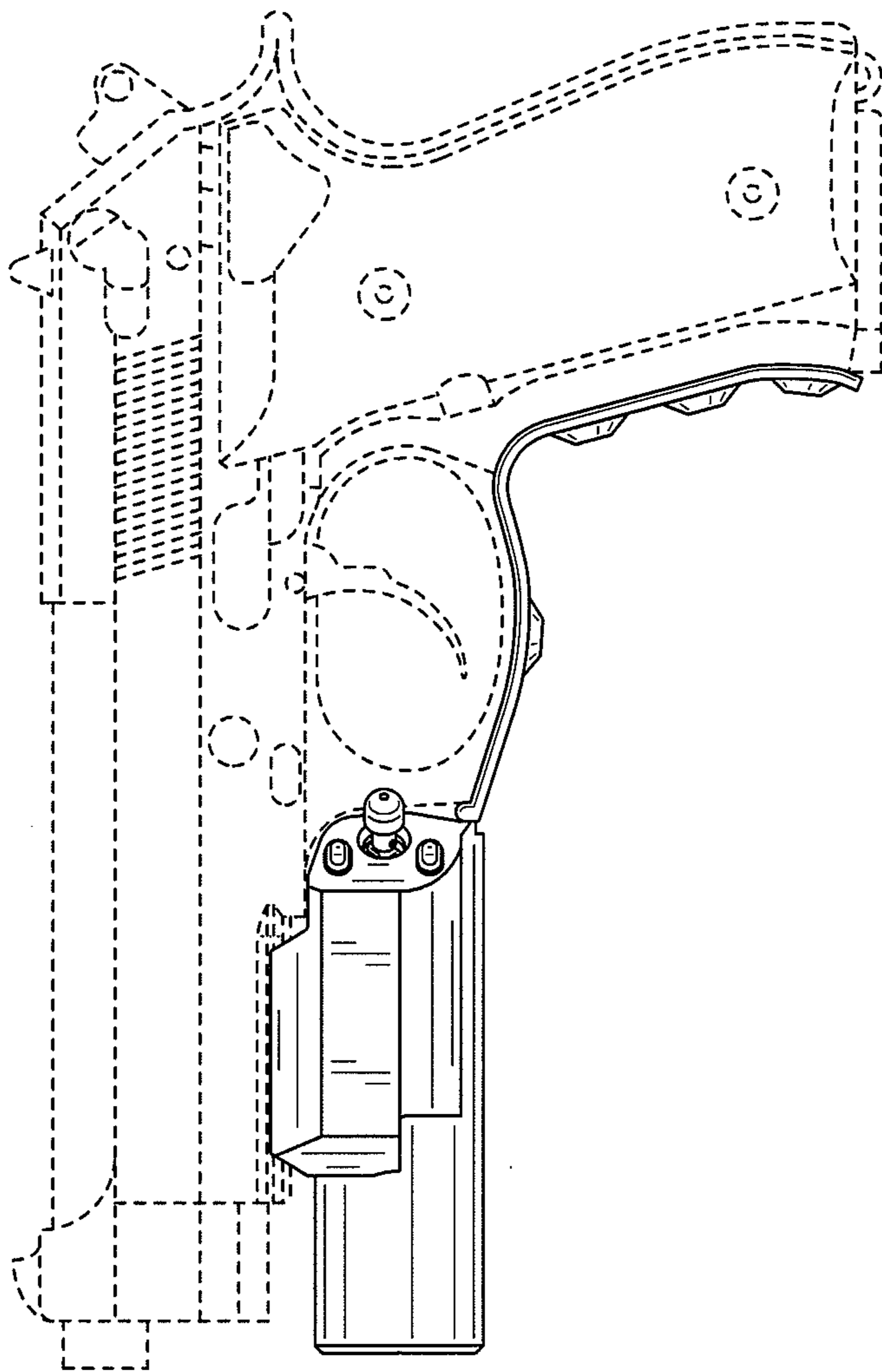


FIG. 5

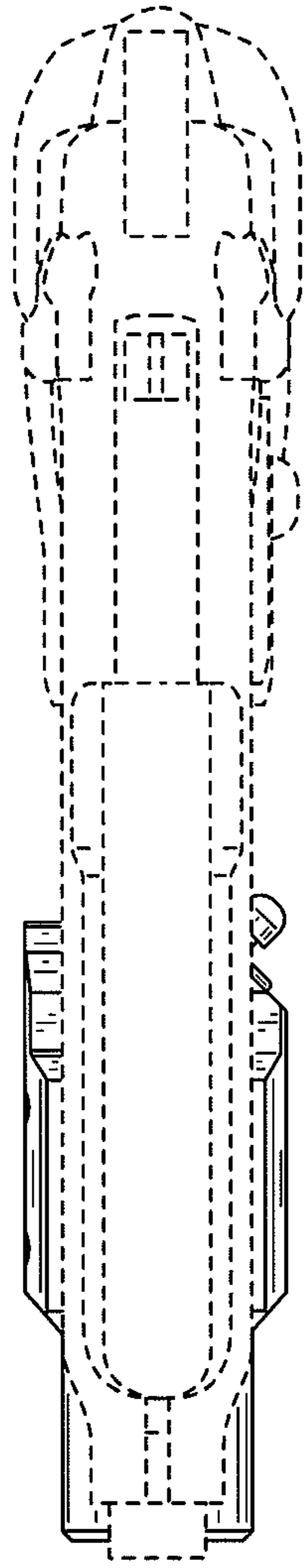


FIG. 6

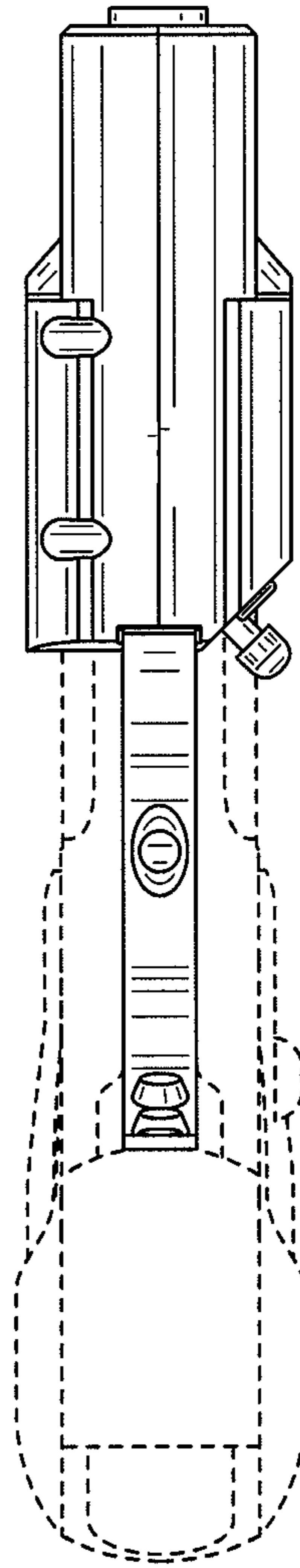


FIG. 7