



US00D688312S

(12) **United States Design Patent**  
**Block**

(10) **Patent No.:** **US D688,312 S**

(45) **Date of Patent:** **\*\* Aug. 20, 2013**

(54) **VIDEO GAME CONTROLLER GOLF ACCESSORY**

(75) **Inventor:** **Gerard Lambert Block**, West Hollywood, CA (US)

(73) **Assignee:** **Performance Designed Products LLC**, Sherman Oaks, CA (US)

(\*\*) **Term:** **14 Years**

(21) **Appl. No.:** **29/342,911**

(22) **Filed:** **Sep. 2, 2009**

(51) **LOC (9) Cl.** ..... **21-01**

(52) **U.S. Cl.**  
USPC ..... **D21/333; D21/324**

(58) **Field of Classification Search**  
USPC ..... D21/324–333, 733; D14/496, 440, D14/401, 454; 273/148 B; 463/1, 2, 29–35, 463/46; 345/156, 905  
See application file for complete search history.

(56) **References Cited**

**U.S. PATENT DOCUMENTS**

5,232,223	A *	8/1993	Dornbusch	.....	463/37
D423,599	S *	4/2000	Au Yeung	.....	D21/324
6,086,478	A *	7/2000	Klitsner et al.	.....	463/35
D450,766	S *	11/2001	Rosenbaum	.....	D19/36
D453,030	S *	1/2002	Lutchen et al.	.....	D21/329
D463,501	S *	9/2002	Isetani et al.	.....	D21/324

D476,377	S *	6/2003	Klitsner et al.	.....	D21/329
6,811,491	B1 *	11/2004	Levenberg et al.	.....	463/47
D583,875	S *	12/2008	Roberts	.....	D21/324
D586,920	S *	2/2009	Oas	.....	D24/200
D589,567	S *	3/2009	Roberts	.....	D21/324
D590,893	S *	4/2009	Roberts	.....	D21/324

\* cited by examiner

*Primary Examiner* — Prabhakar Deshmukh

(74) *Attorney, Agent, or Firm* — Sheppard Mullin Richter & Hampton LLP

(57) **CLAIM**

The ornamental design for a video game controller golf accessory, as shown and described.

**DESCRIPTION**

FIG. 1 is a perspective view of a video game controller golf accessory showing my new design, shown with a game controller inserted;

FIG. 2 is a perspective view thereof, with a game controller removed;

FIG. 3 is a side elevational view thereof;

FIG. 4 is a side elevational view, opposite to FIG. 3;

FIG. 5 is a front elevational view thereof;

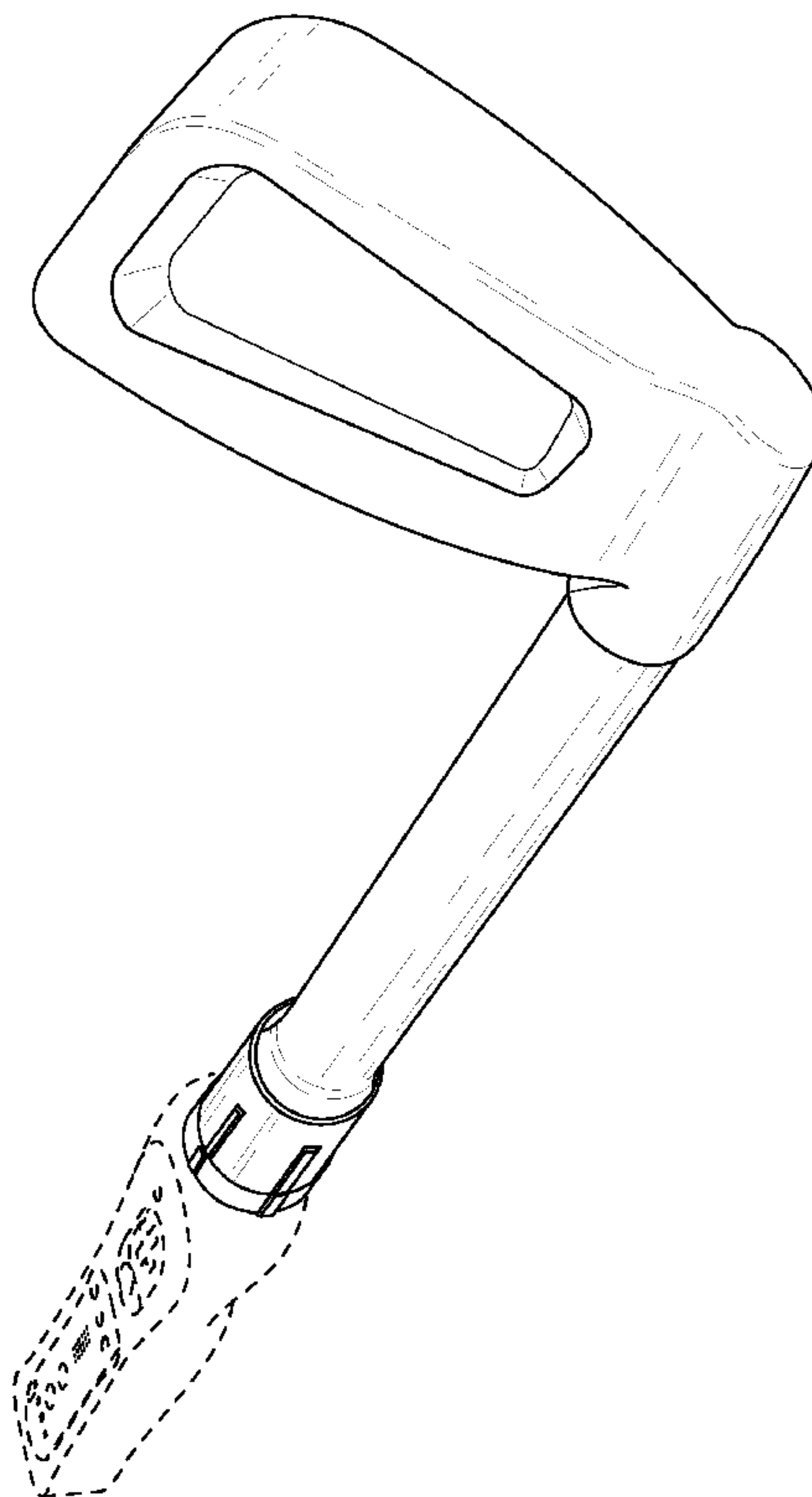
FIG. 6 is a rear elevational view thereof;

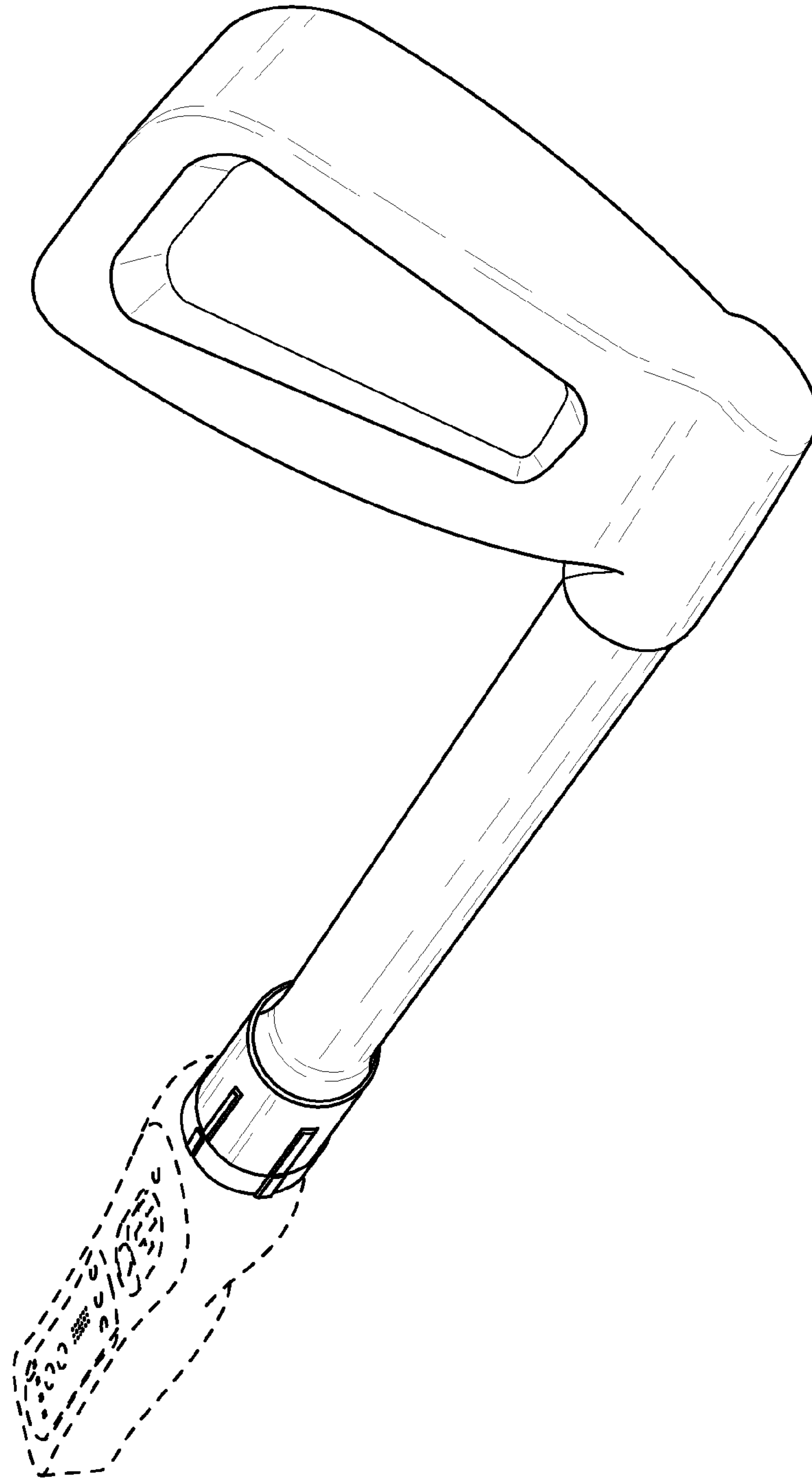
FIG. 7 is atop plan view thereof; and,

FIG. 8 is a bottom plan view thereof.

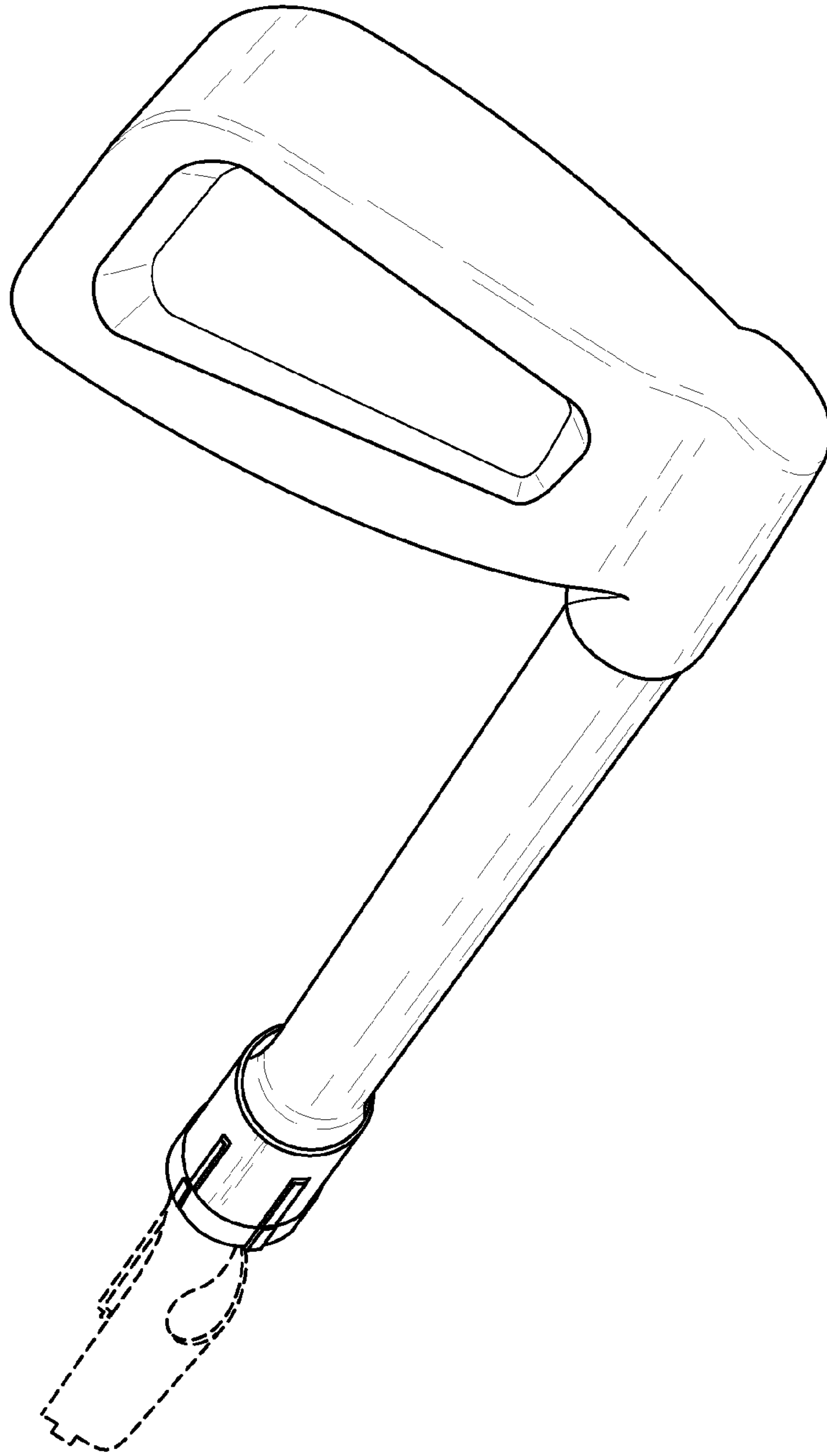
The broken lines environment is for illustrative purpose only and forms no part of the claimed design.

**1 Claim, 4 Drawing Sheets**

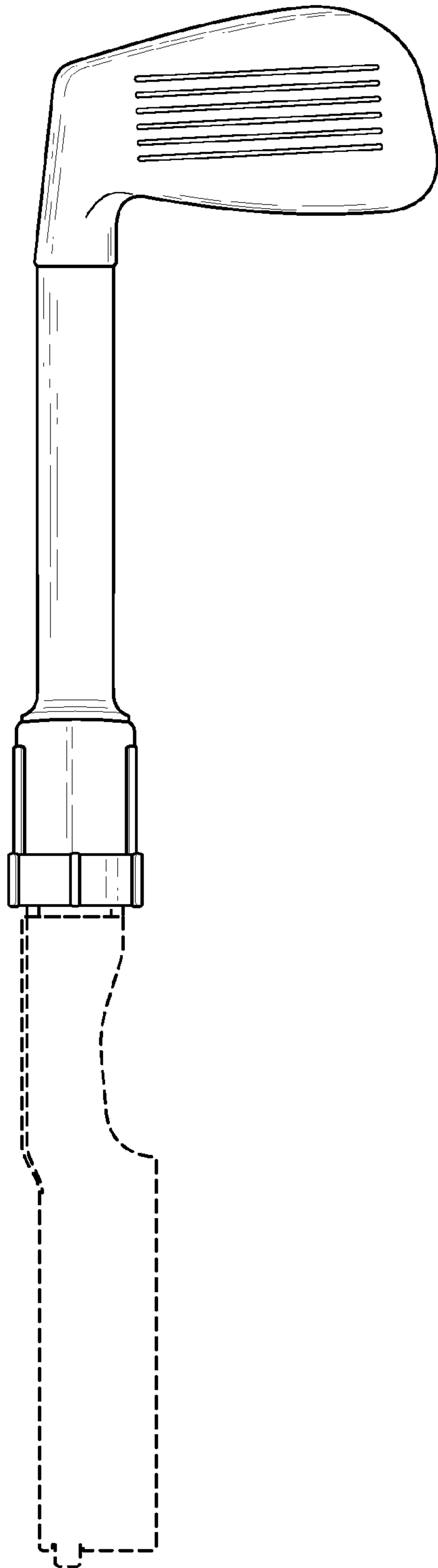




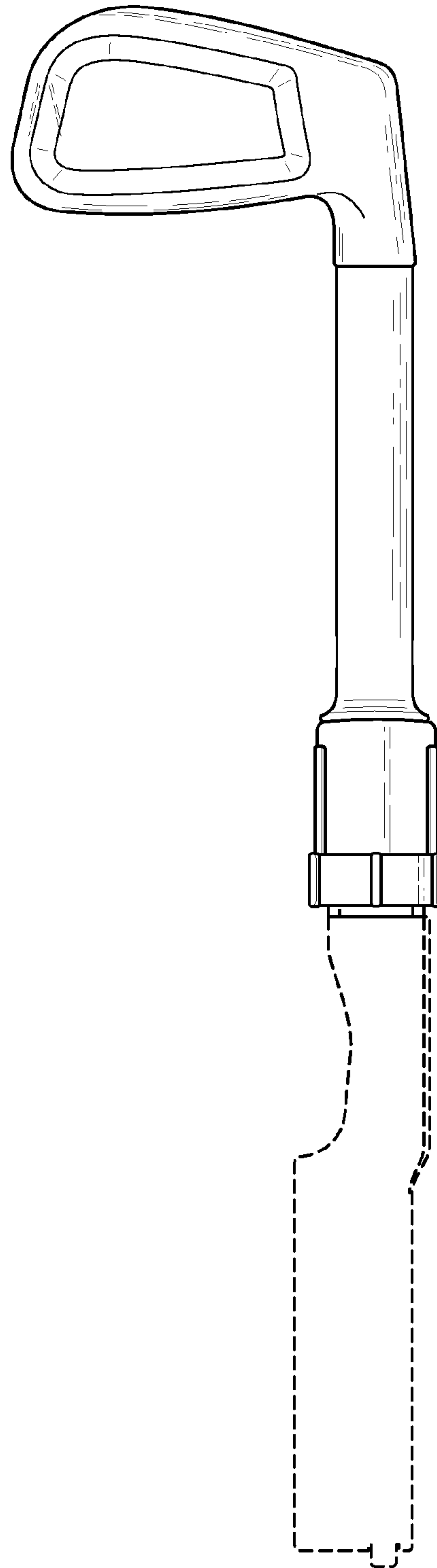
**FIG. 1**



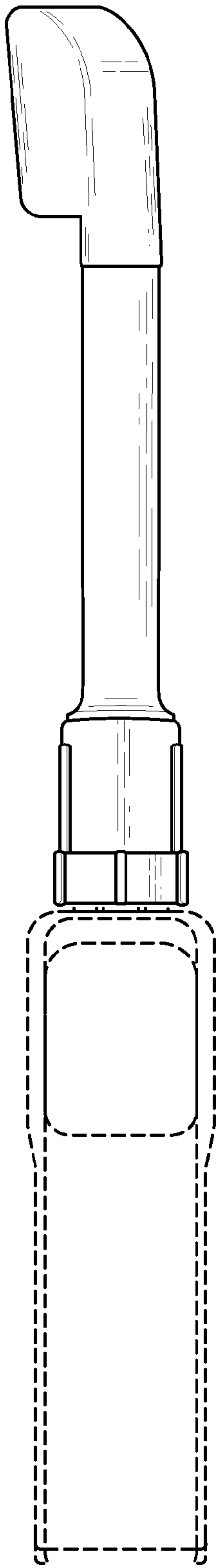
**FIG. 2**



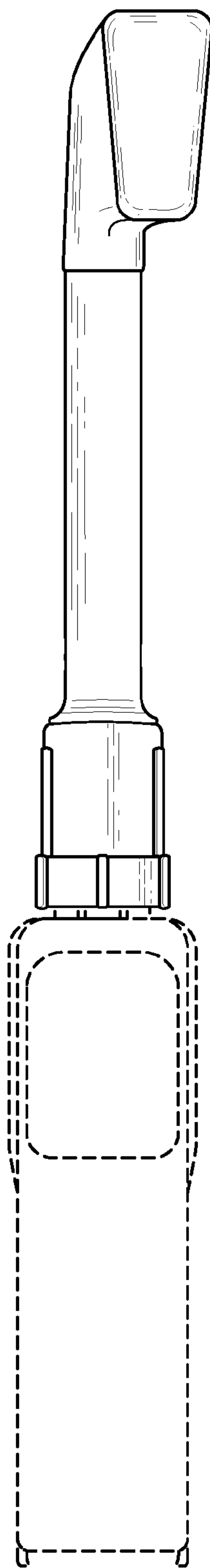
**FIG. 3**



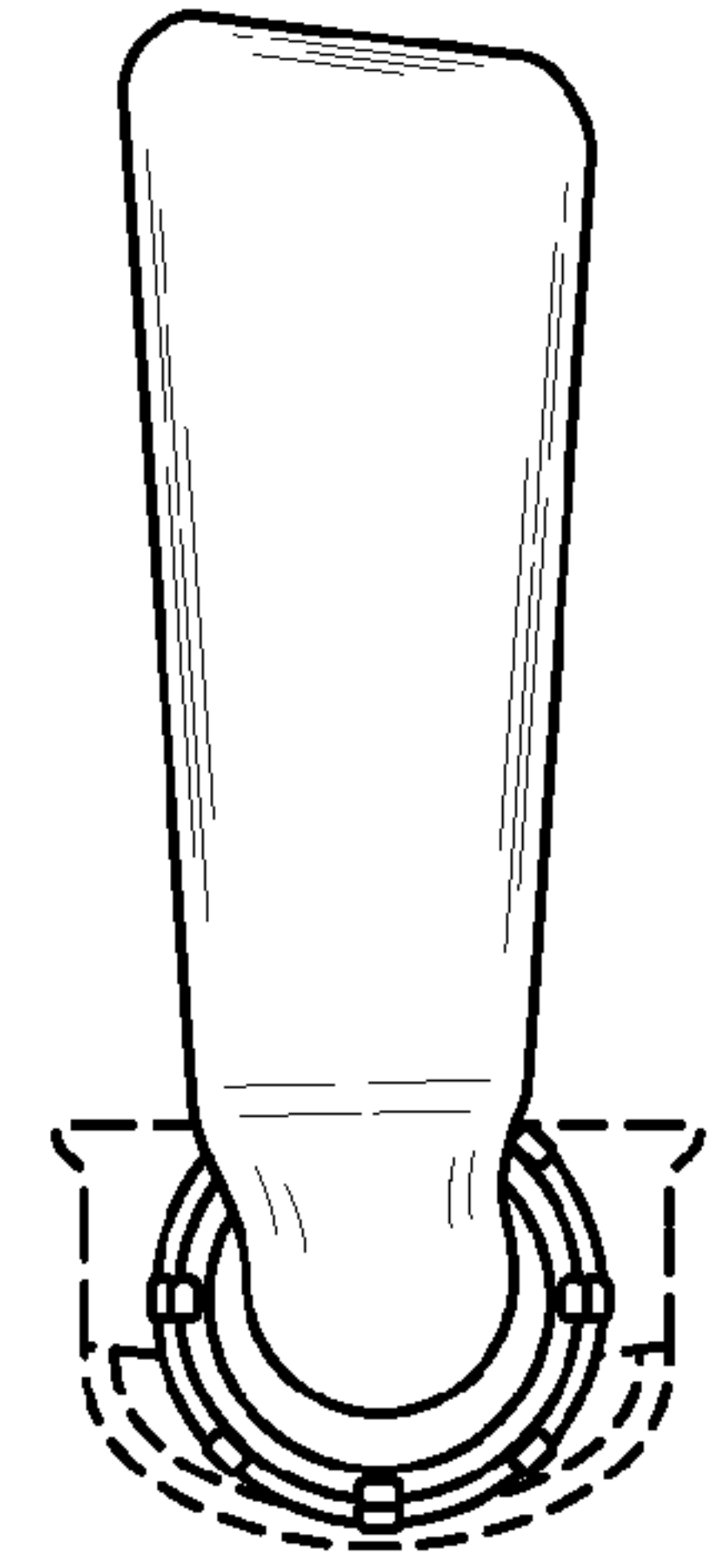
**FIG. 4**



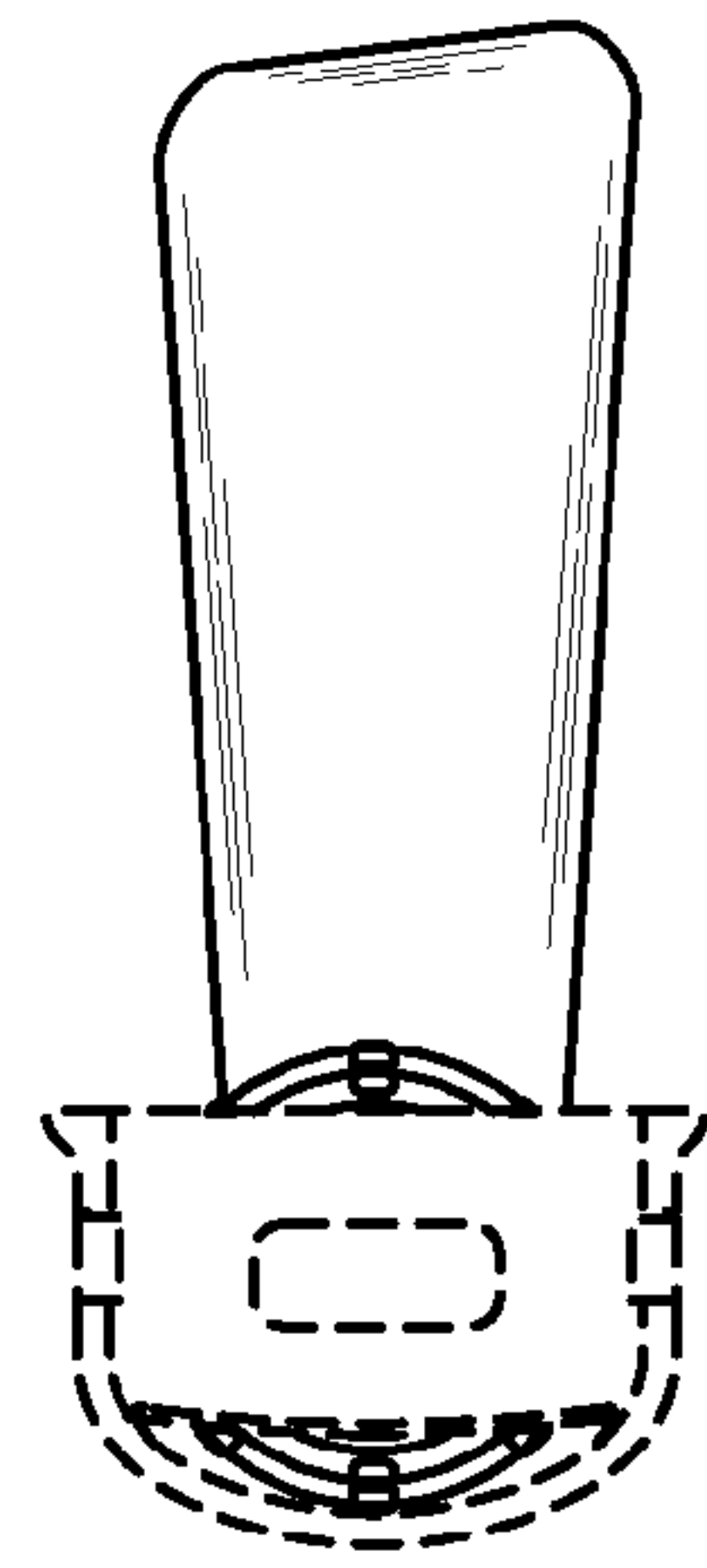
**FIG. 5**



**FIG. 6**



**FIG. 7**



**FIG. 8**