



US00D688310S

(12) **United States Design Patent**  
**Mauris**

(10) **Patent No.:** **US D688,310 S**

(45) **Date of Patent:** **\*\* Aug. 20, 2013**

(54) **EQUIPMENT AVAILABILITY NOTIFIER**

(75) Inventor: **Gary Brian Mauris**, Anmore (CA)

(73) Assignee: **Gymflags Equipment Accessories Inc.**,  
Port Coquitlam, British Columbia (CA)

(\*\*) Term: **14 Years**

(21) Appl. No.: **29/371,977**

(22) Filed: **Mar. 14, 2012**

(30) **Foreign Application Priority Data**

Dec. 8, 2011 (CA) ..... 143604

(51) **LOC (9) Cl.** ..... **20-03**

(52) **U.S. Cl.**  
USPC ..... **D20/18**

(58) **Field of Classification Search**

USPC ..... D20/10, 12, 15, 17, 19, 21-29, 39-43,  
D20/99; 40/124.01-124.09, 124.11-124.19,  
40/124.191, 299.01, 368, 373, 446, 452,  
40/489-492, 534, 537, 538, 541, 564, 565,  
40/568, 575, 576, 594, 642.01; D3/299;  
D10/109.1, 109.2, 113.4; D21/694; 24/67.3;  
283/56; 116/306, 309; 362/812

See application file for complete search history.

(56) **References Cited**

**U.S. PATENT DOCUMENTS**

366,510 A \* 7/1887 Rubin ..... 40/492  
1,666,006 A \* 4/1928 Duncan ..... 24/67.3

3,188,157 A \* 6/1965 Rand ..... 312/202  
3,950,871 A \* 4/1976 Rege ..... 40/492  
D275,817 S \* 10/1984 Keyser ..... D3/299  
4,920,675 A \* 5/1990 Mashimo ..... 40/492  
6,014,942 A \* 1/2000 Perka et al. .... 116/309  
6,665,965 B1 \* 12/2003 Turchi et al. .... 40/492  
D625,364 S \* 10/2010 Edwards ..... D20/99  
D672,264 S \* 12/2012 Ochoa ..... D10/109.1  
2010/0236112 A1 \* 9/2010 Siebuhr ..... 40/492

\* cited by examiner

*Primary Examiner* — Mary Ann Calabrese

(57) **CLAIM**

The ornamental design for a equipment availability notifier, as shown and described.

**DESCRIPTION**

FIG. 1 is a perspective view of the equipment availability notifier;

FIG. 2 is a front view of the equipment availability notifier;

FIG. 3 is a rear view of the equipment availability notifier;

FIG. 4 is a top view of the equipment availability notifier;

FIG. 5 is a bottom view of the equipment availability notifier;

FIG. 6 is a left side view of the equipment availability notifier;

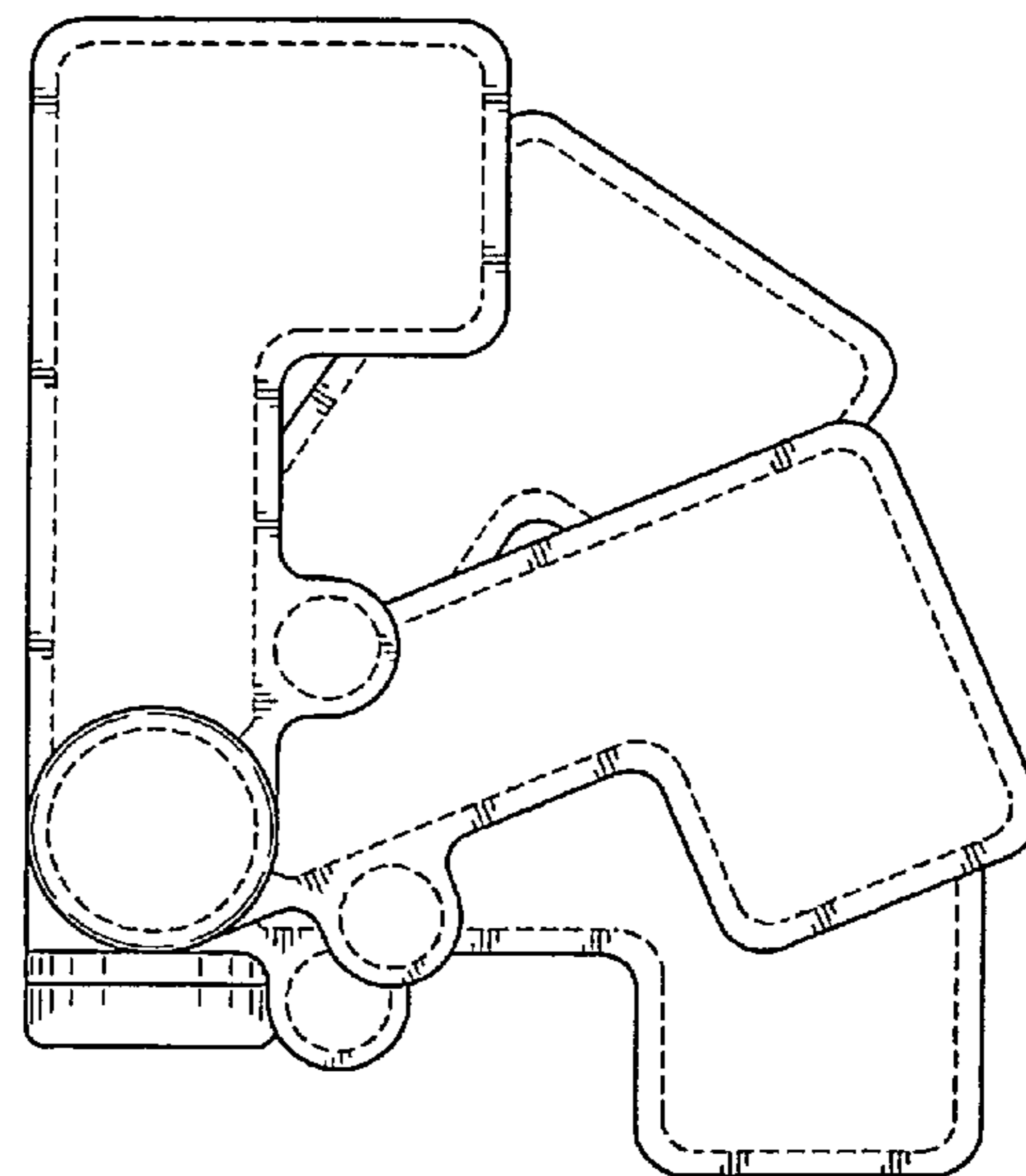
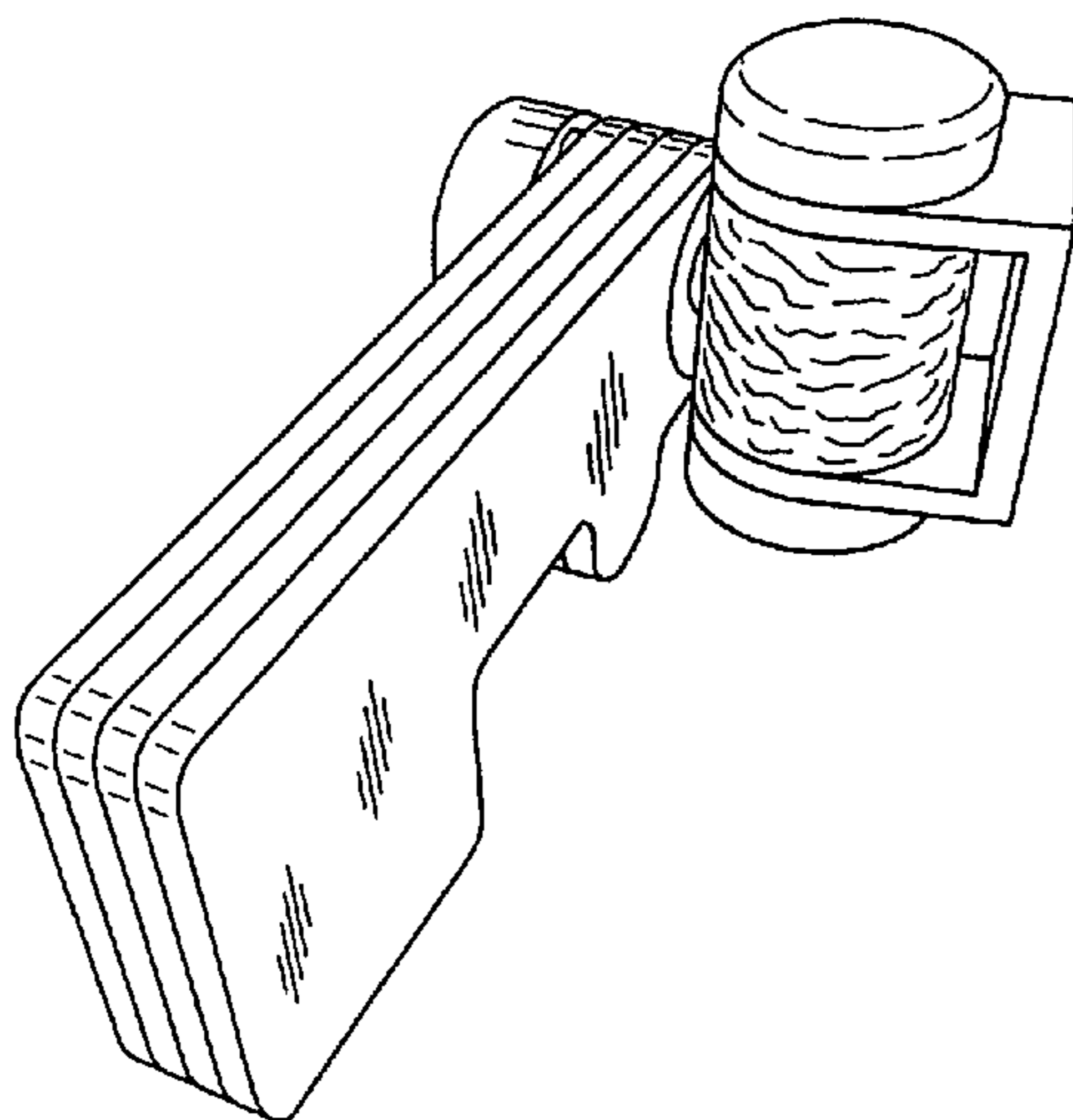
FIG. 7 is a right side view of the equipment availability notifier; and,

FIG. 8 is a front view of the equipment availability notifier

shown with the design in an open position.

Broken lines are features that form no part of the claimed design.

**1 Claim, 5 Drawing Sheets**



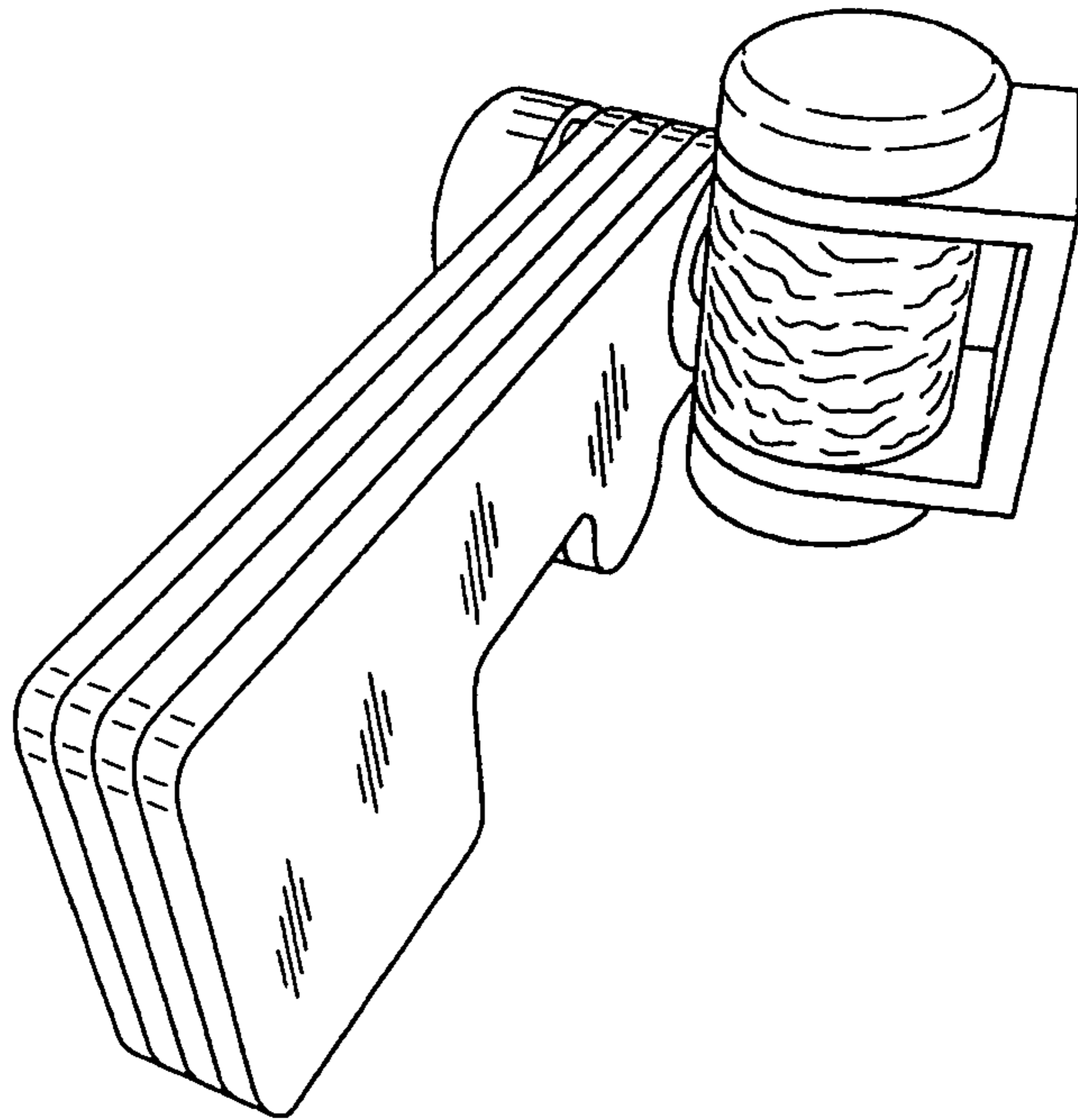


FIG. 1

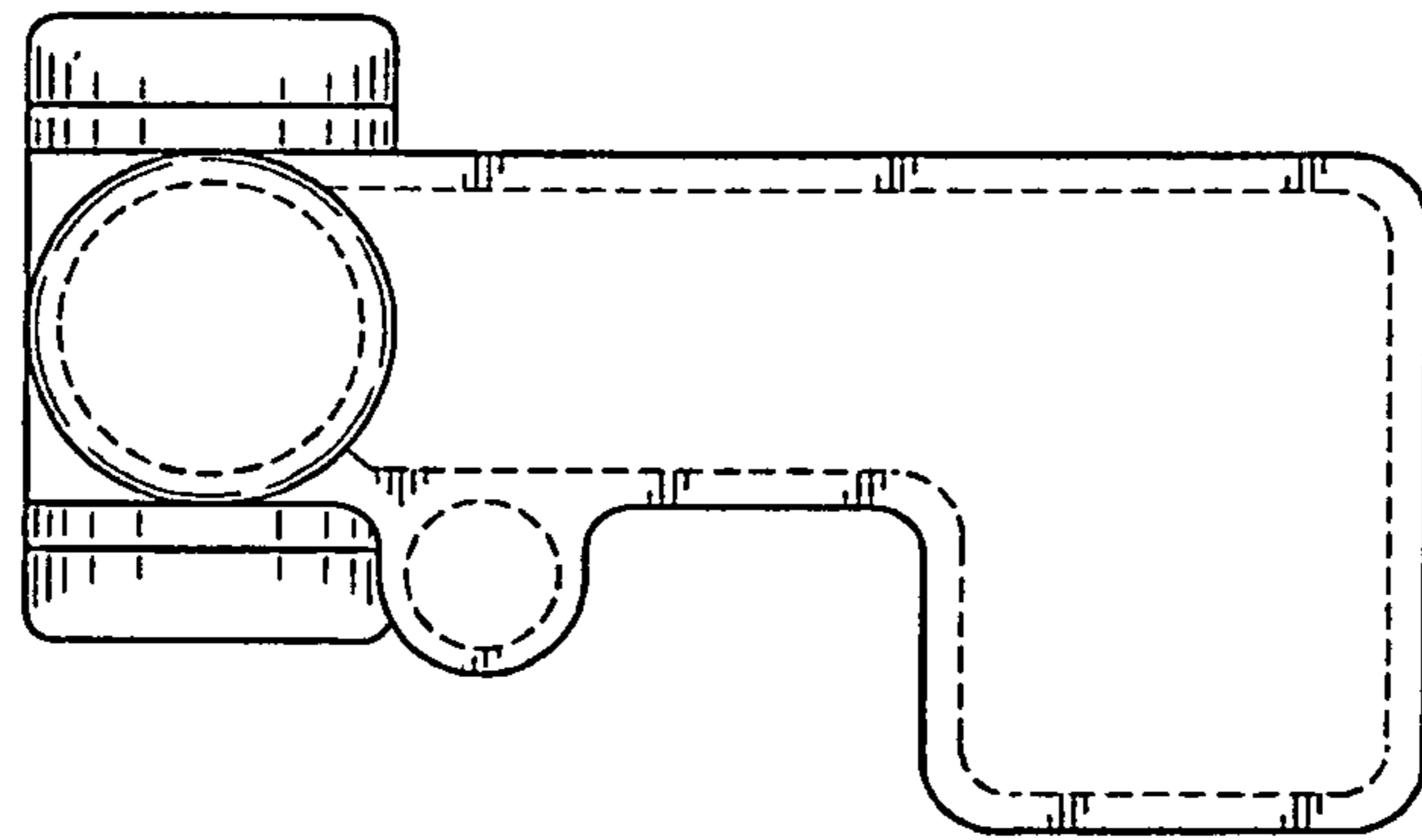


FIG. 2

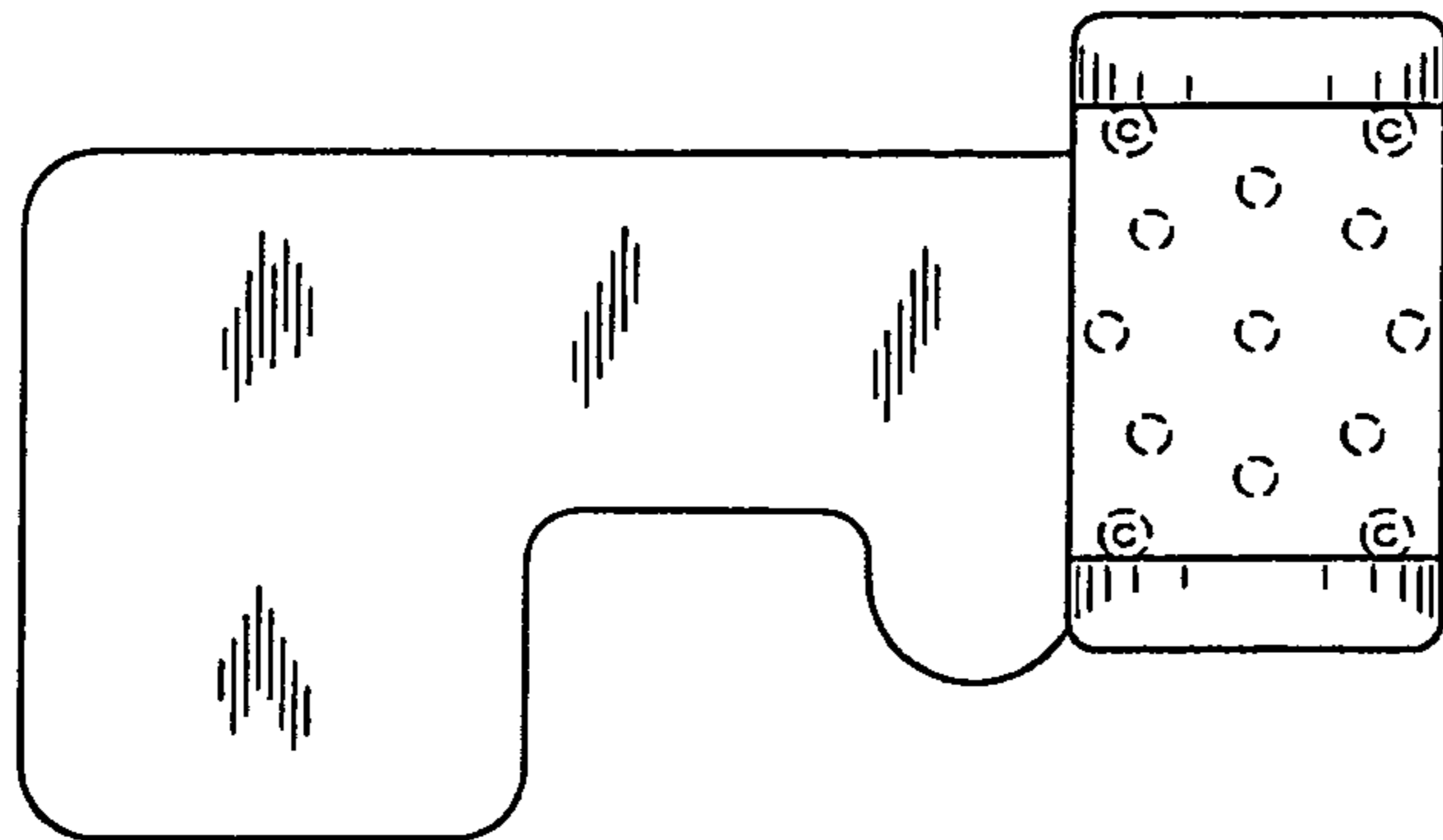


FIG. 3

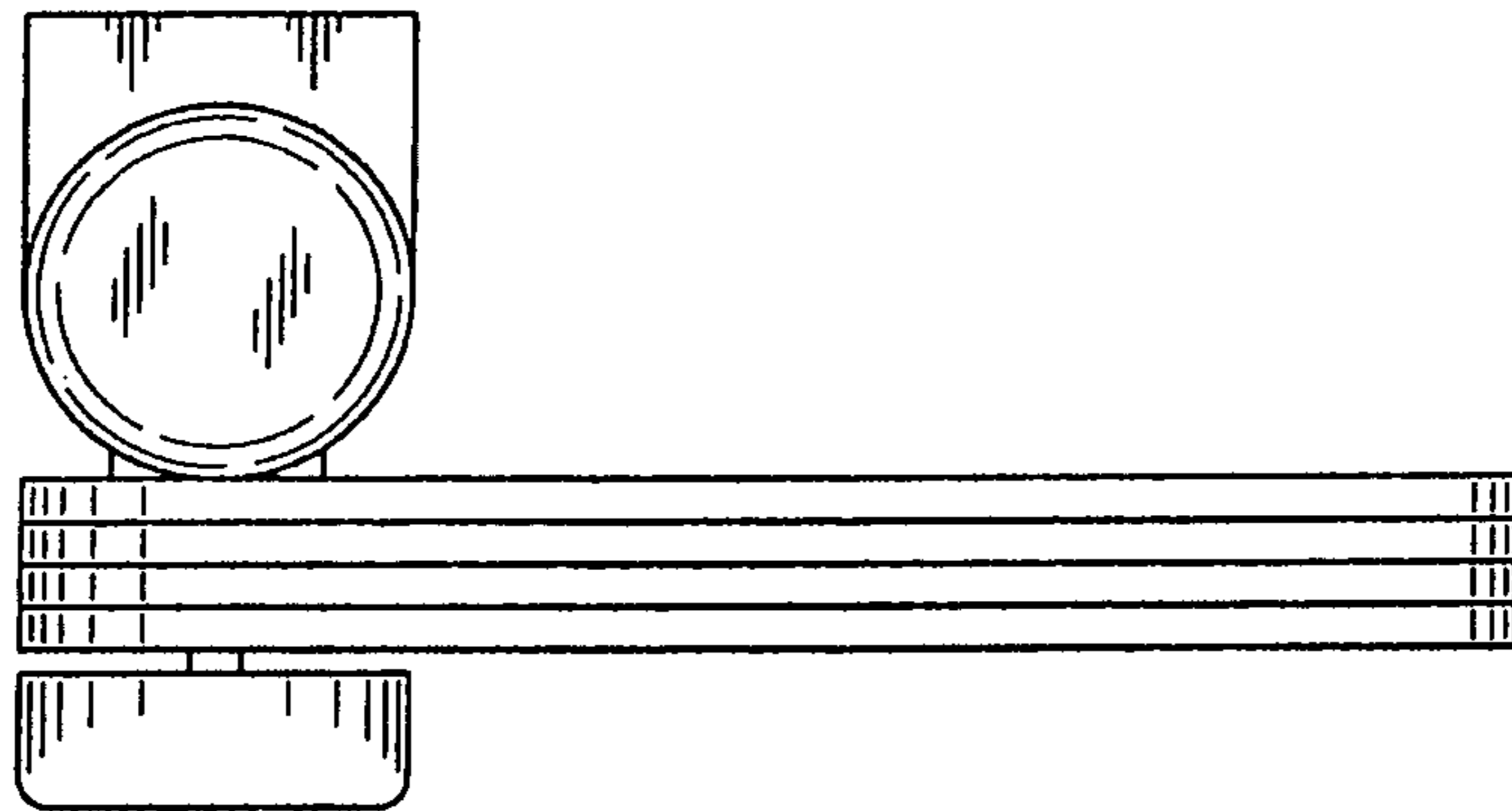


FIG. 4

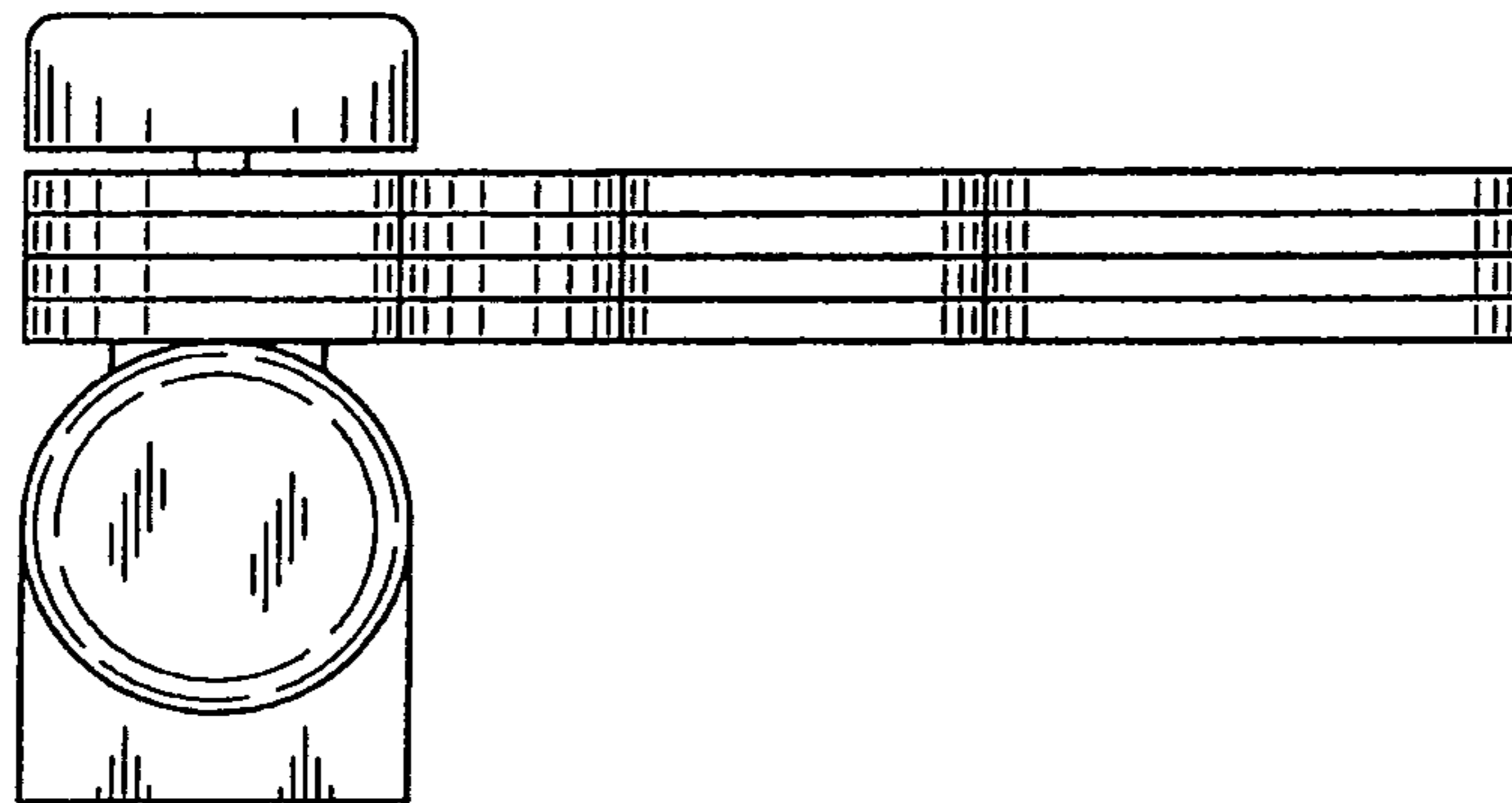


FIG. 5

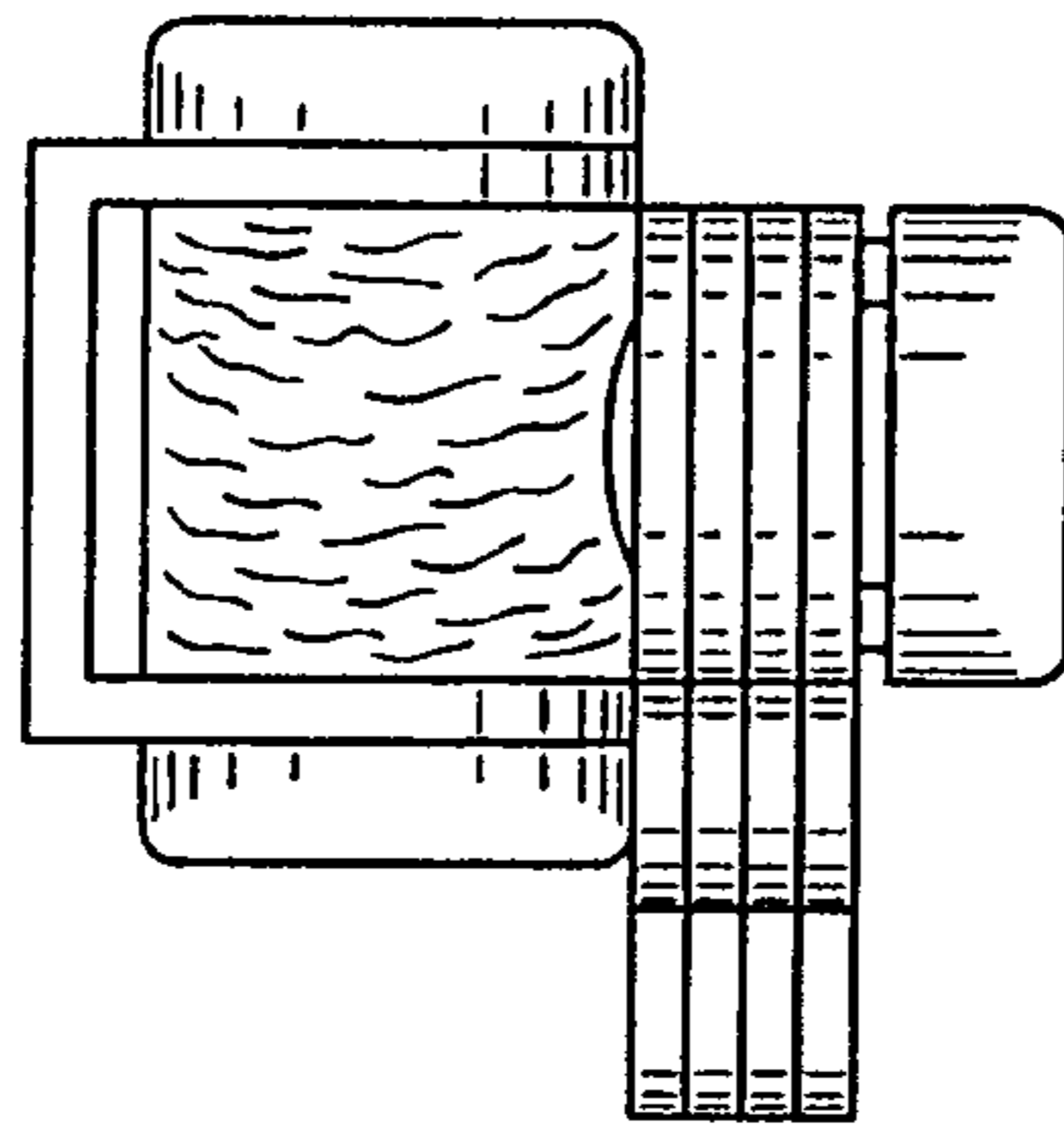


FIG. 6

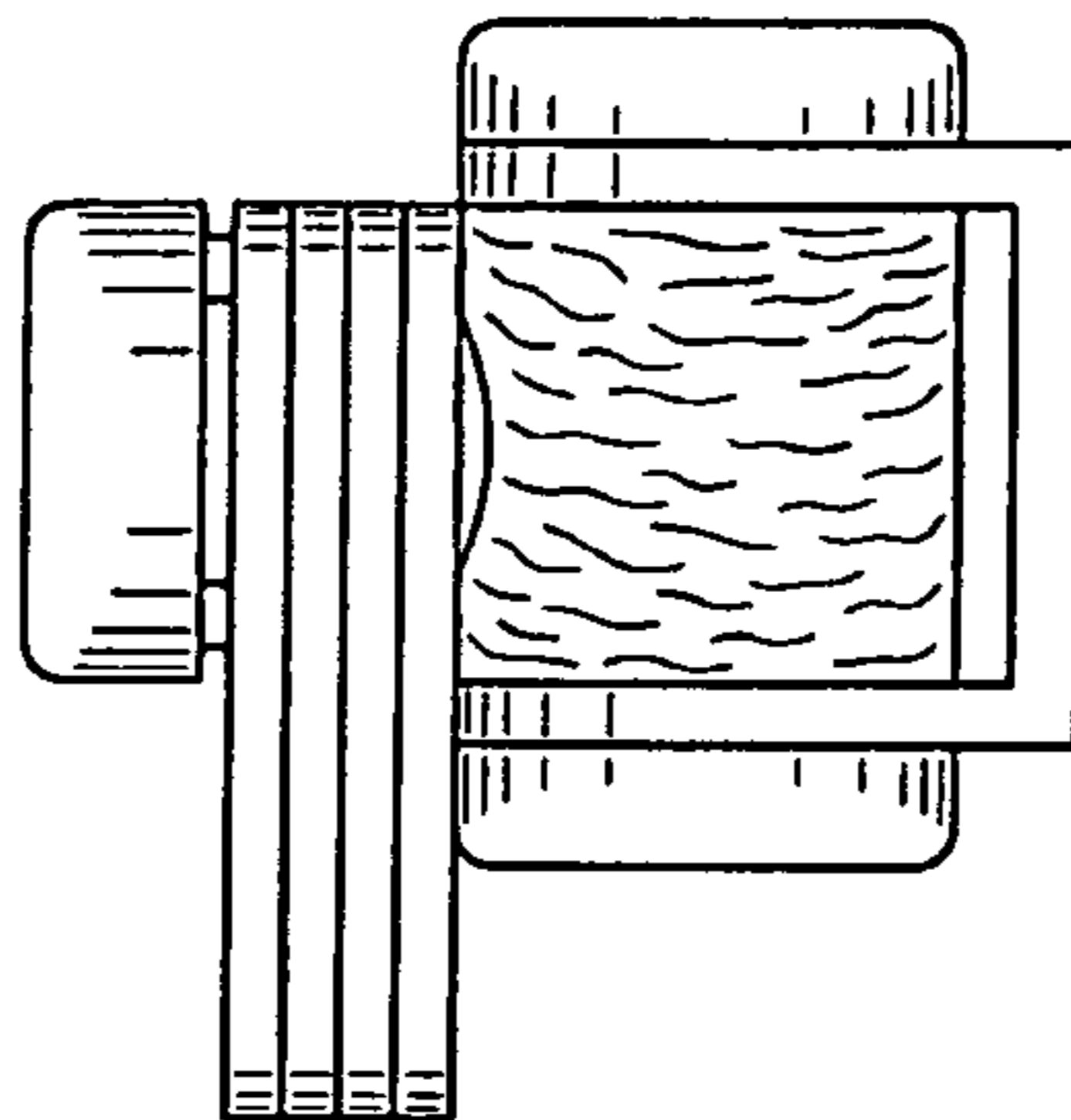


FIG. 7

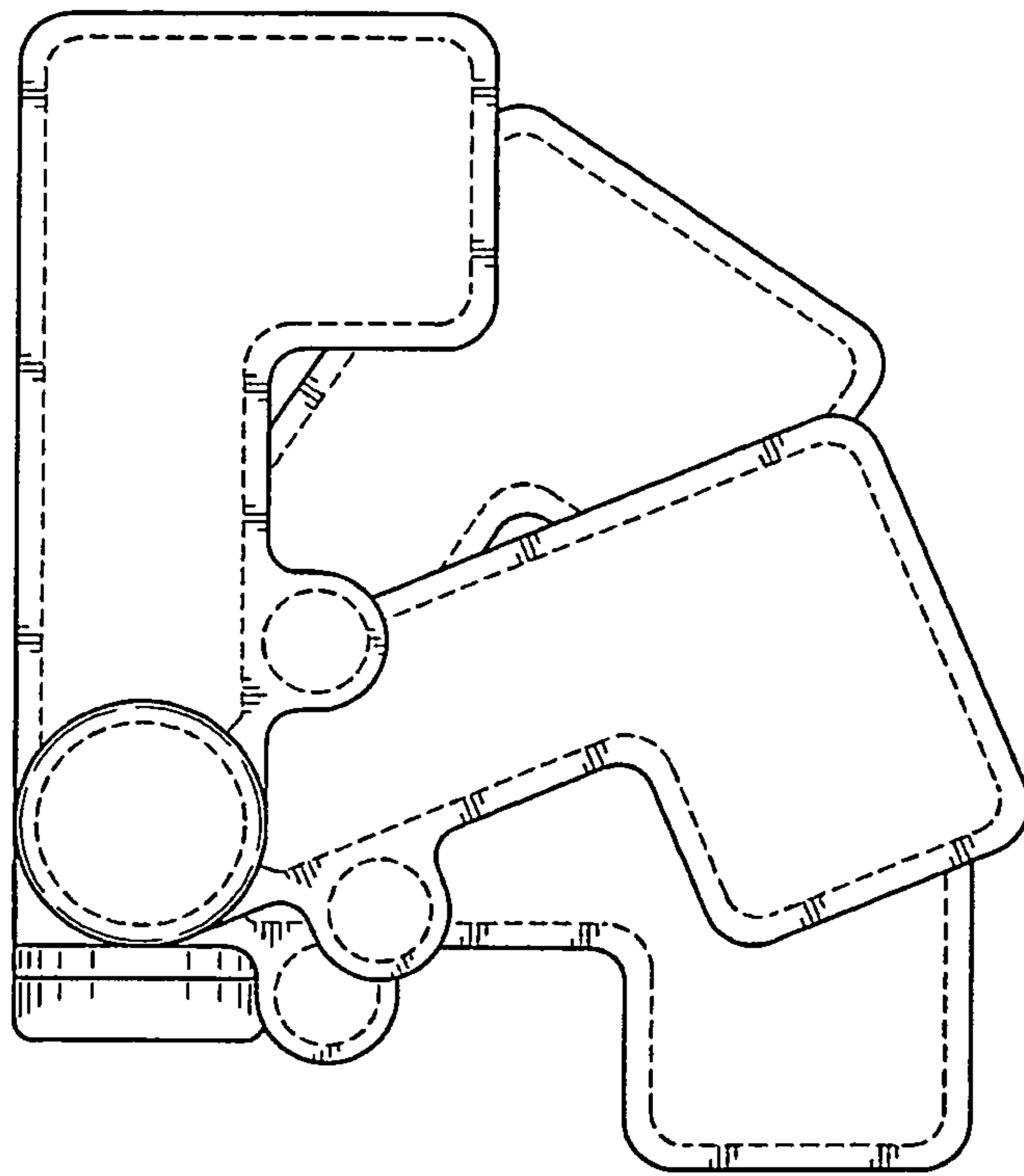


FIG. 8