



US00D688308S

(12) **United States Design Patent**
Jour

(10) **Patent No.:** **US D688,308 S**

(45) **Date of Patent:** **** Aug. 20, 2013**

(54) **NOTEPAPER DISPENSER**

(71) Applicant: **David C. T. Jour**, Taipei (TW)

(72) Inventor: **David C. T. Jour**, Taipei (TW)

(**) Term: **14 Years**

(21) Appl. No.: **29/436,397**

(22) Filed: **Nov. 5, 2012**

(51) **LOC (9) Cl.** **19-02**

(52) **U.S. Cl.**
USPC **D19/86**

(58) **Field of Classification Search**
USPC D3/201, 206, 247; D6/515, 517,
D6/518; D9/414, 432; D19/75, 78, 86, 90-92;
206/37, 39, 39.5, 215, 233, 425; 221/282,
221/283, 284, 285
See application file for complete search history.

(56) **References Cited**

U.S. PATENT DOCUMENTS

D260,489 S * 9/1981 Pritchard D9/432
D306,583 S * 3/1990 Krolopp et al. D14/137

D377,713 S * 2/1997 Chandler D3/247
6,065,591 A * 5/2000 Dill et al. 206/233
D596,349 S * 7/2009 Tabrah D27/189
D604,366 S * 11/2009 Liu et al. D19/86
D665,810 S * 8/2012 Jones et al. D14/440
D678,884 S * 3/2013 Phillips et al. D14/440

* cited by examiner

Primary Examiner — Elizabeth Albert

(74) *Attorney, Agent, or Firm* — Alexander Chen, Esq.

(57) **CLAIM**

An ornamental design for a notepaper dispenser, as shown and described.

DESCRIPTION

FIG. 1 is a front view of the notepaper dispenser showing my new design;

FIG. 2 is a rear view thereof;

FIG. 3 is a left side view thereof;

FIG. 4 is a right side view thereof;

FIG. 5 is a top plan view thereof;

FIG. 6 is a bottom plan view thereof; and,

FIG. 7 is a perspective view thereof.

1 Claim, 4 Drawing Sheets

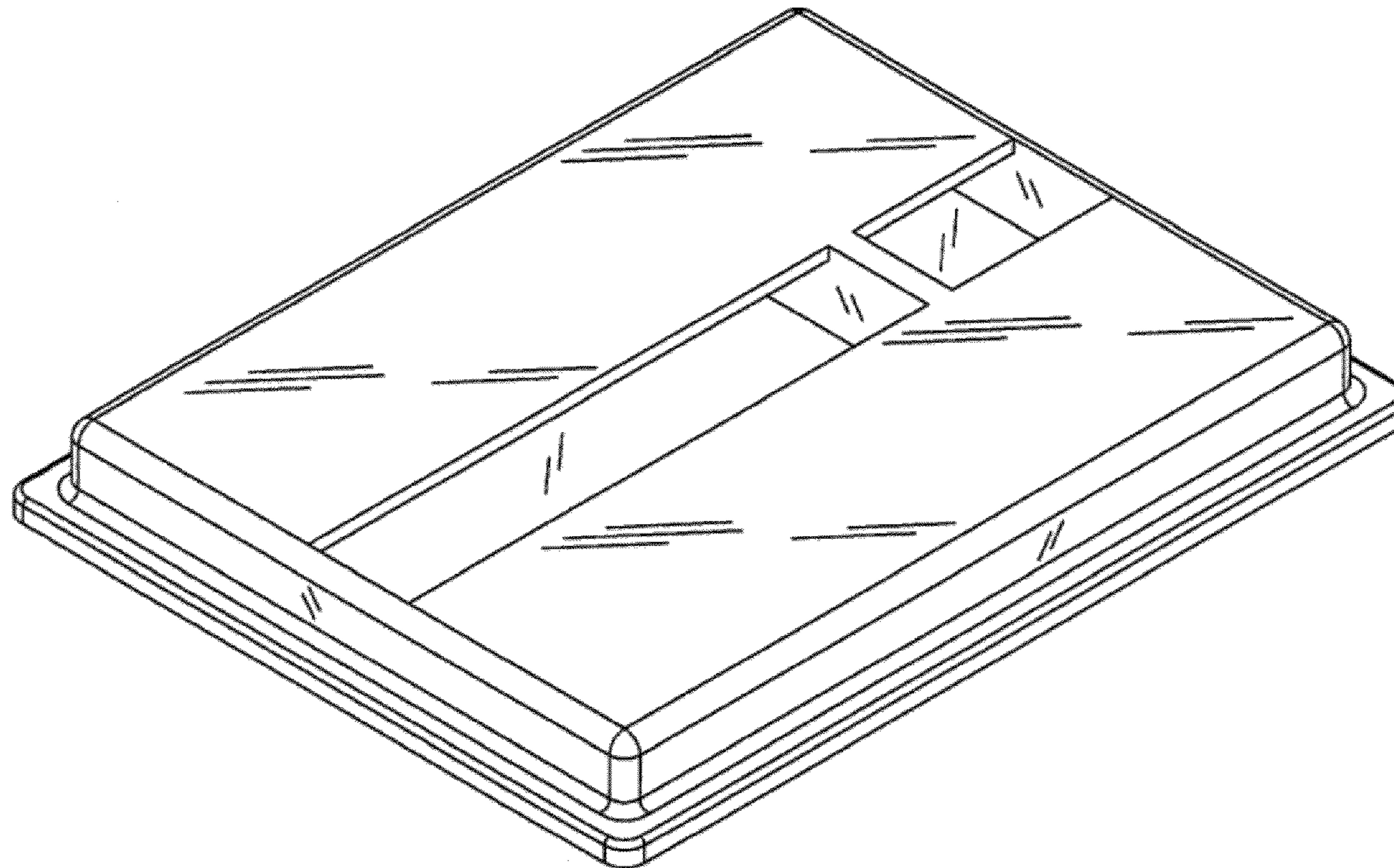




Fig. 1



Fig. 2

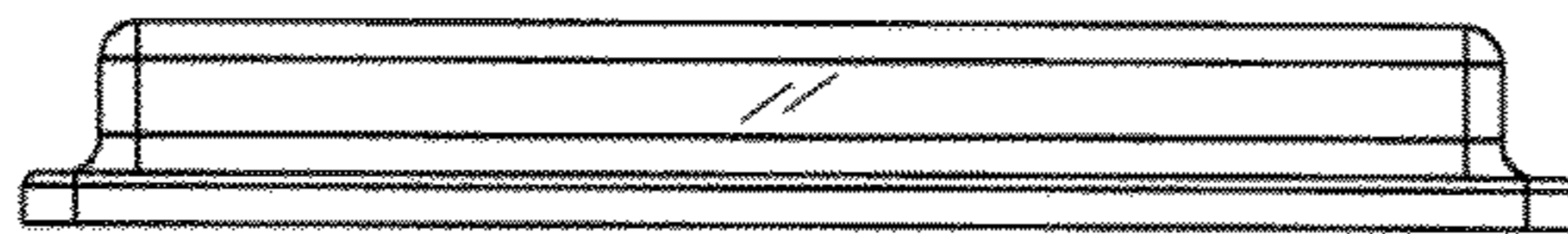


Fig. 3



Fig. 4

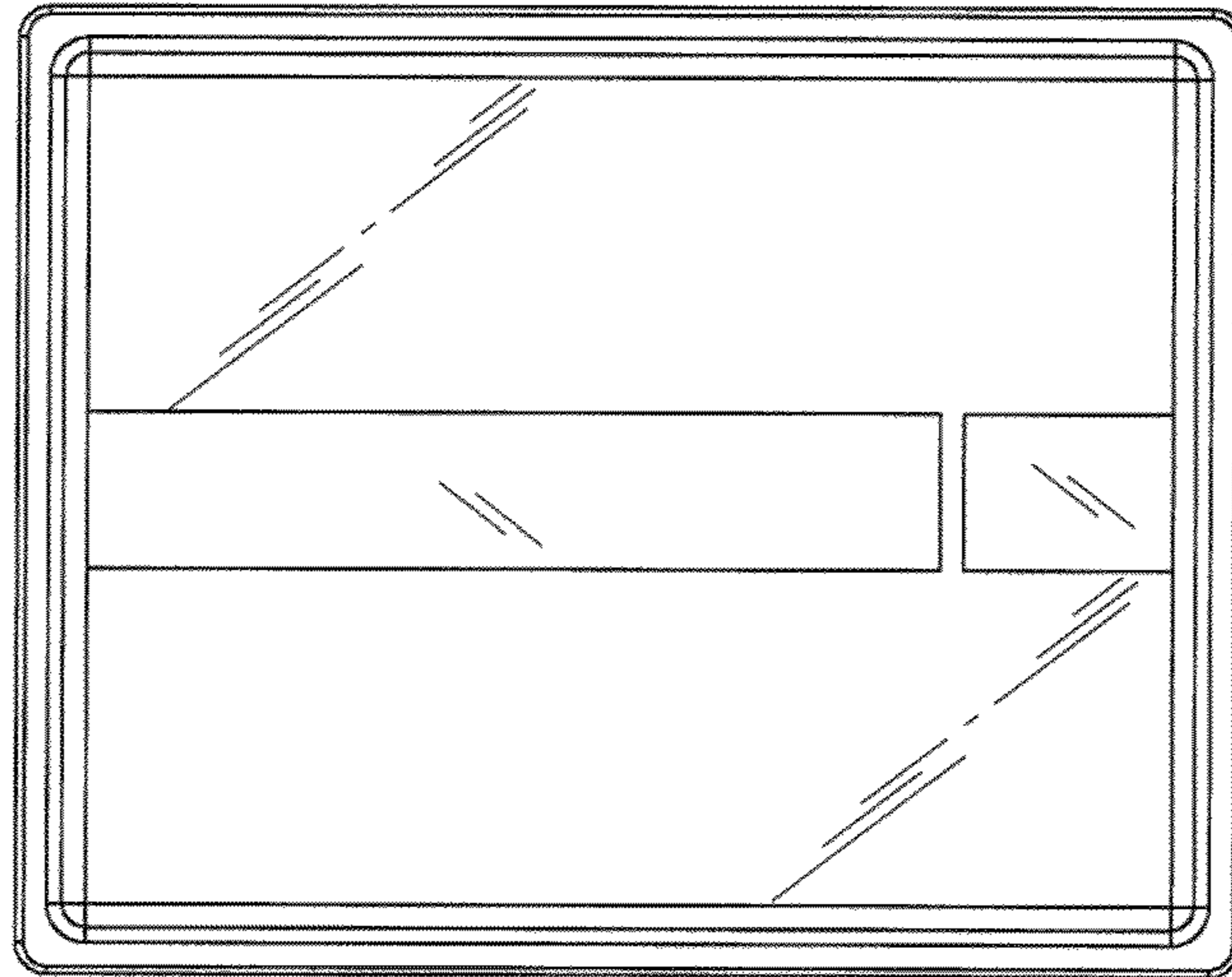


Fig. 5

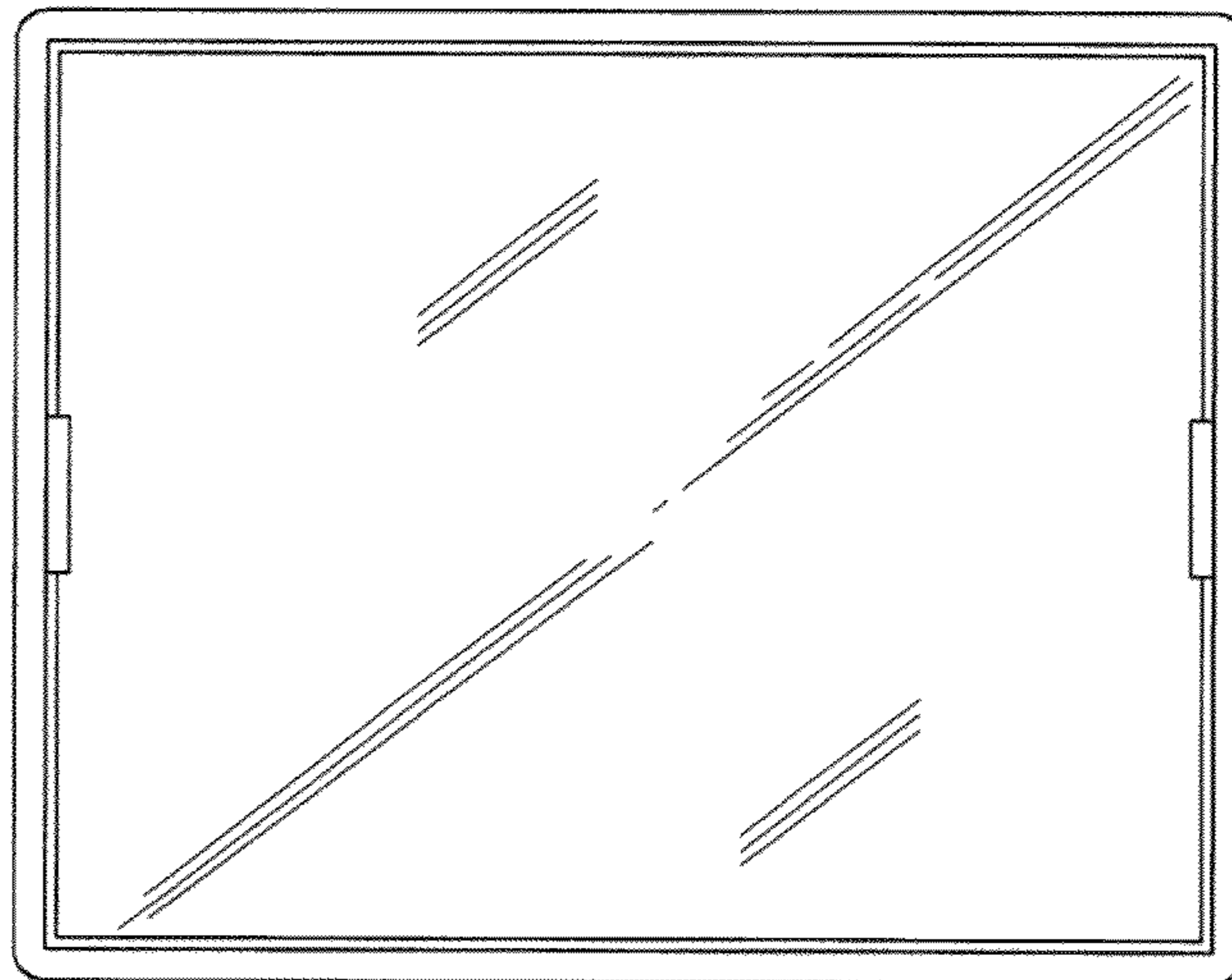


Fig. 6

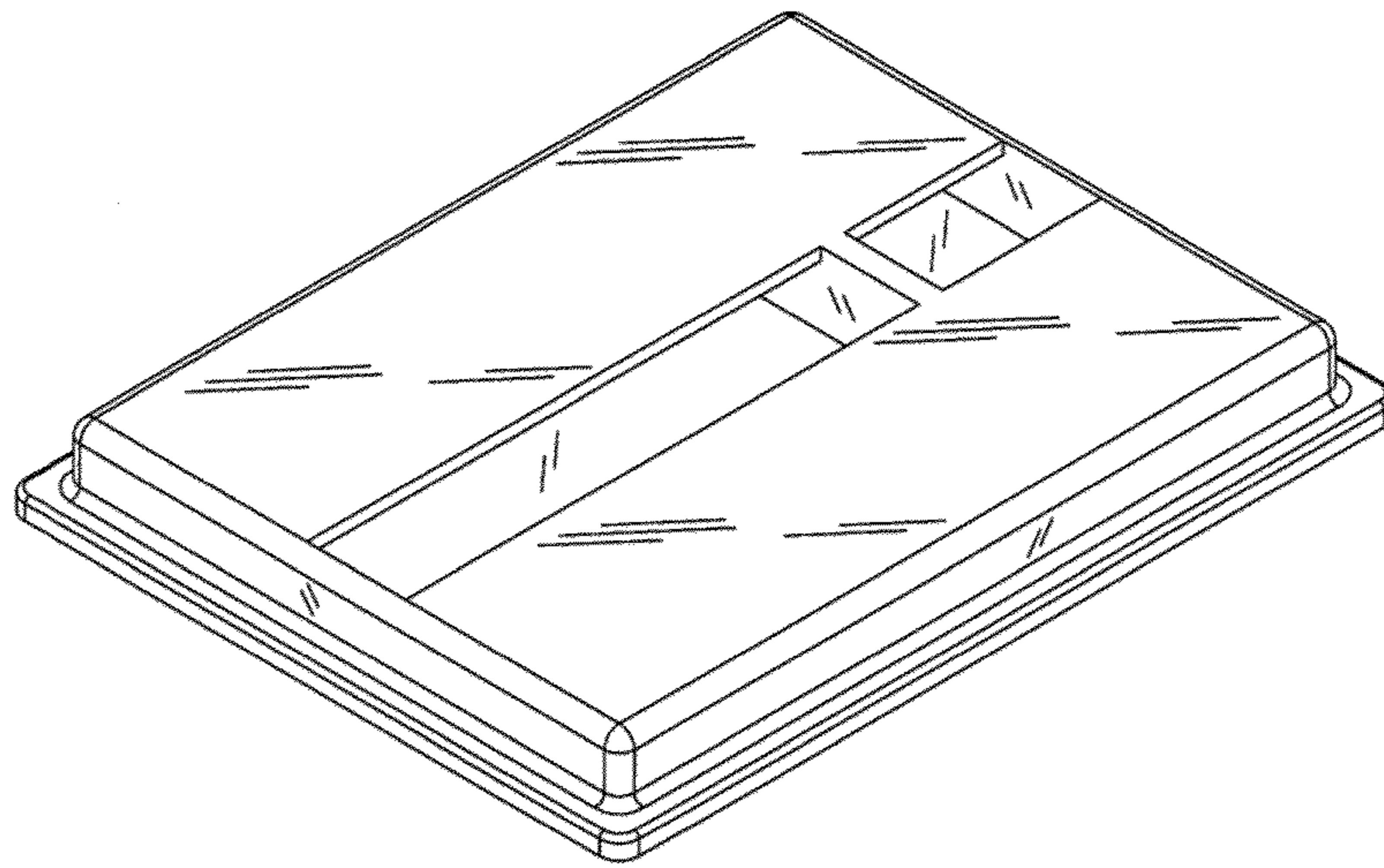


Fig. 7