



US00D688303S

(12) **United States Design Patent**  
**Jiang**

(10) **Patent No.:** **US D688,303 S**

(45) **Date of Patent:** **\*\* Aug. 20, 2013**

- (54) **PEN**
- (75) Inventor: **Linghua Jiang**, Ningbo (CN)
- (73) Assignee: **Beifa Group Co., Ltd.**, Ningbo (CN)
- (\*\*) Term: **14 Years**
- (21) Appl. No.: **29/418,642**
- (22) Filed: **Apr. 18, 2012**
- (30) **Foreign Application Priority Data**  
  - Oct. 18, 2011 (CN) ..... 2011 3 0369011
- (51) **LOC (9) CL.** ..... **19-06**
- (52) **U.S. CL.**  
  - USPC ..... **D19/43**
- (58) **Field of Classification Search**  
  - USPC ..... D14/411; D19/35, 36, 41-51, 54-58;  
 24/11 F, 11 P, 11 R; 401/52, 99-109, 192,  
 401/195, 196
  - See application file for complete search history.

D575,336 S *	8/2008	Qiu et al. ....	D19/43
D578,573 S *	10/2008	Bhavnani et al. ....	D19/54
D601,626 S *	10/2009	Liu .....	D19/43
D611,097 S	3/2010	Liu	
D616,024 S *	5/2010	Siegel .....	D19/43
7,726,896 B2 *	6/2010	Bolton .....	401/195
D640,319 S *	6/2011	Gerules .....	D19/41
D669,122 S *	10/2012	Liu .....	D19/41
D669,124 S *	10/2012	Jiang .....	D19/41
2002/0192010 A1 *	12/2002	Korper .....	401/198
2007/0189838 A1 *	8/2007	Bolton .....	401/203

**FOREIGN PATENT DOCUMENTS**

EM 001144224-0004 A1 5/2009

\* cited by examiner

*Primary Examiner* — Elizabeth Albert

(74) *Attorney, Agent, or Firm* — Christensen O'Connor Johnson Kindness PLLC

(57) **CLAIM**

The ornamental design for a pen, as shown and described.

**DESCRIPTION**

FIG. 1 is a lower front right perspective view of a pen showing my new design;

FIG. 2 is an upper front left perspective view thereof;

FIG. 3 is a front elevation view thereof;

FIG. 4 is a rear elevation view thereof;

FIG. 5 is a right side elevation view thereof, with the left side elevation view being a mirror image of the right side elevation view;

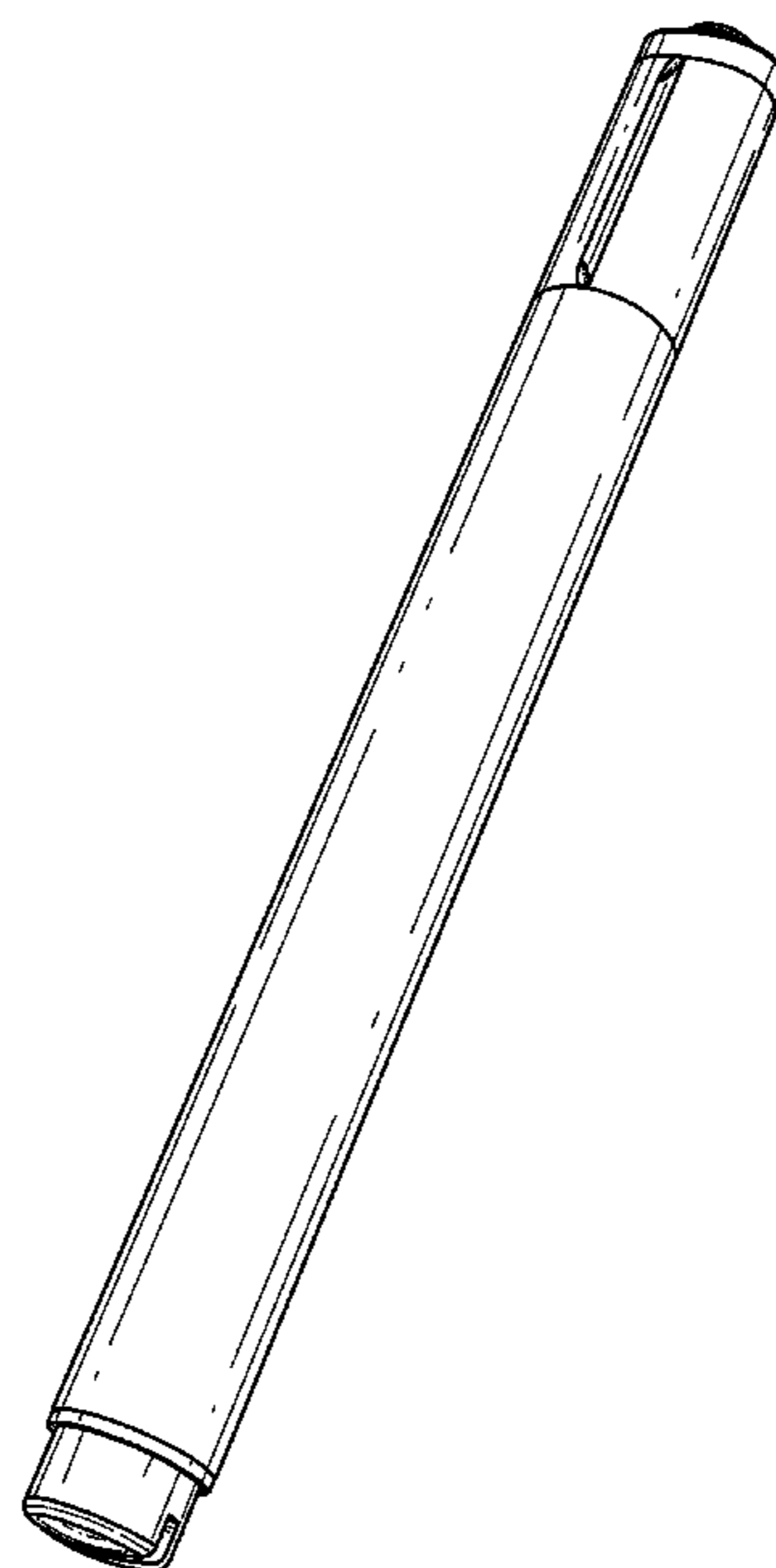
FIG. 6 is an enlarged top plan view thereof; and,

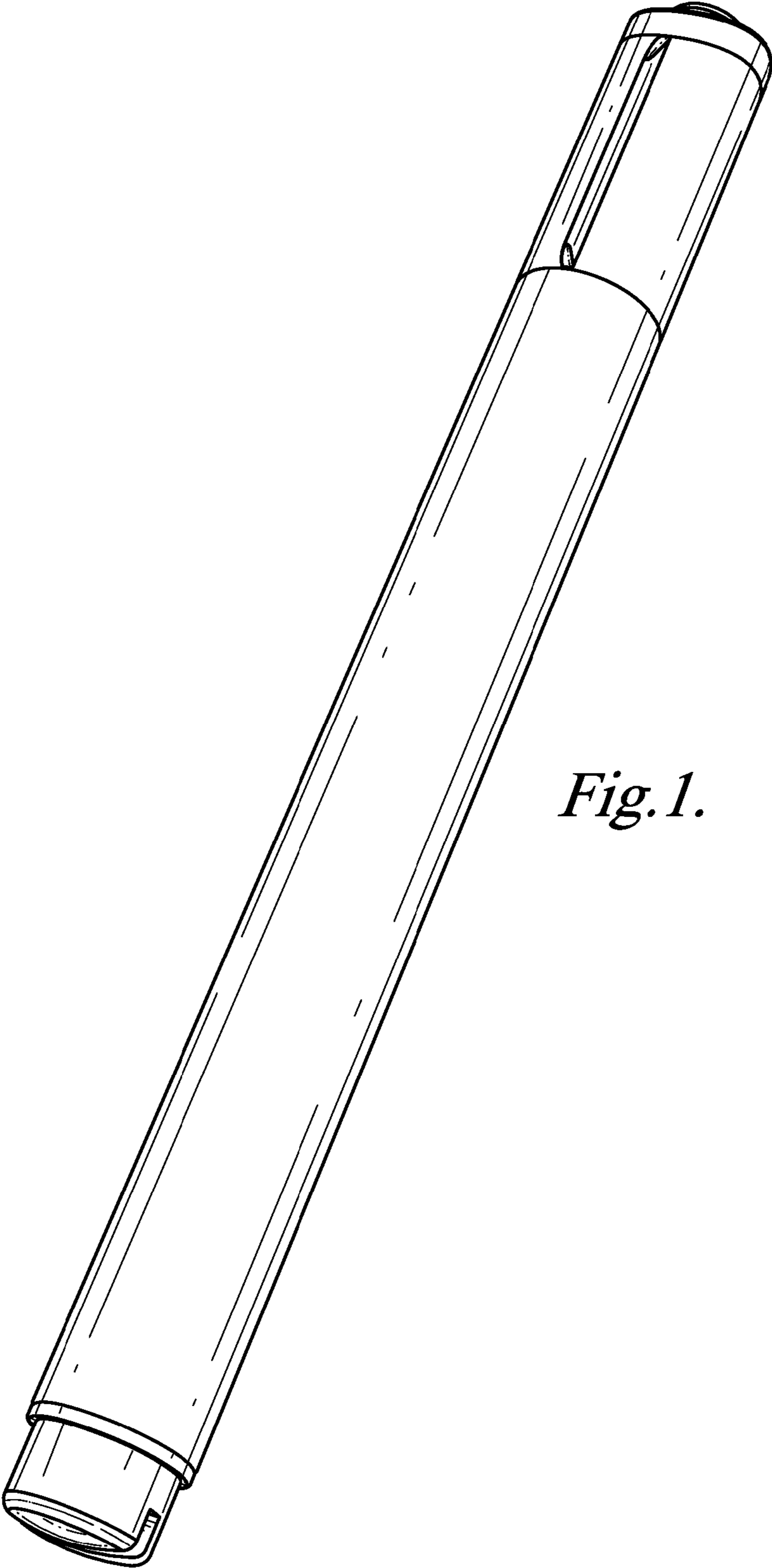
FIG. 7 is an enlarged bottom plan view thereof.

The broken lines shown in FIG. 6 illustrate boundaries of the claim and form no part of the claimed design.

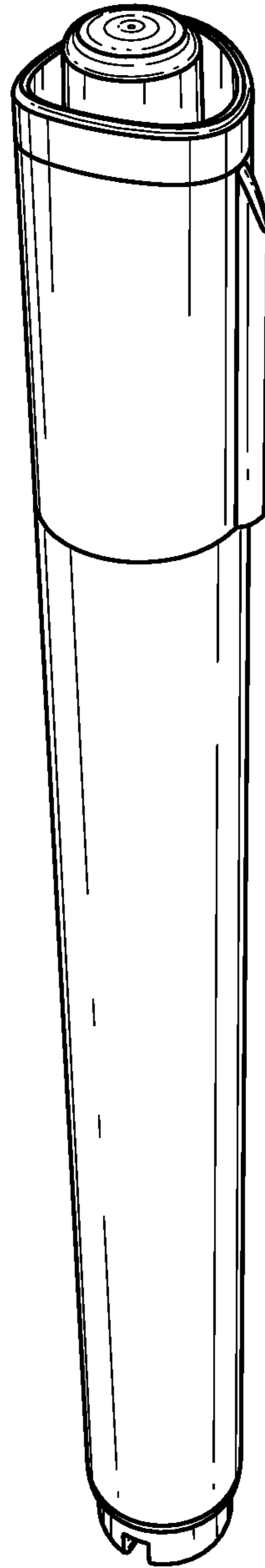
**1 Claim, 4 Drawing Sheets**

- (56) **References Cited**  
  - U.S. PATENT DOCUMENTS
  - 3,369,543 A \* 2/1968 Ronco ..... 604/2
  - D313,245 S 12/1990 Iwase
  - D425,123 S 5/2000 Creamer
  - 6,247,865 B1 \* 6/2001 Russell et al. .... 401/202
  - D448,407 S 9/2001 Huang
  - D470,887 S 2/2003 Okutani
  - D471,234 S 3/2003 Okutani
  - 6,626,600 B1 \* 9/2003 Brand et al. .... 401/202
  - D557,745 S 12/2007 Isono
  - D559,312 S \* 1/2008 Yagyu ..... D19/43
  - D566,762 S \* 4/2008 Qiu ..... D19/43
  - D568,932 S 5/2008 Qiu
  - D568,933 S \* 5/2008 Qiu et al. .... D19/43

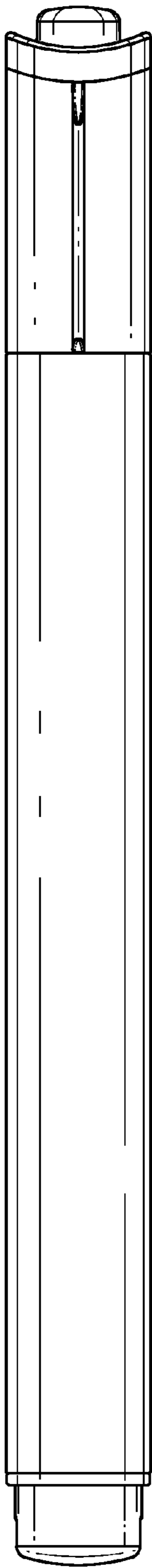




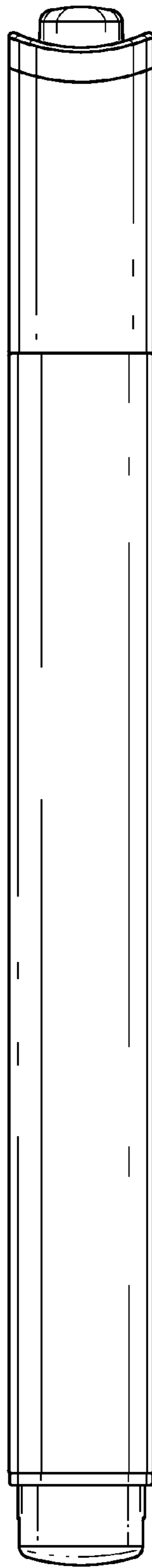
*Fig. 1.*



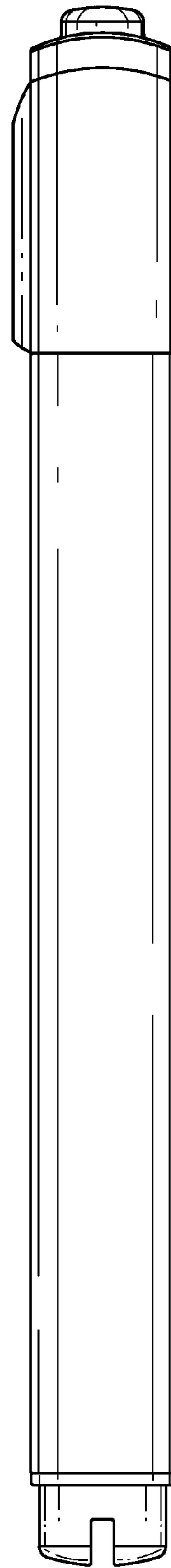
*Fig.2.*



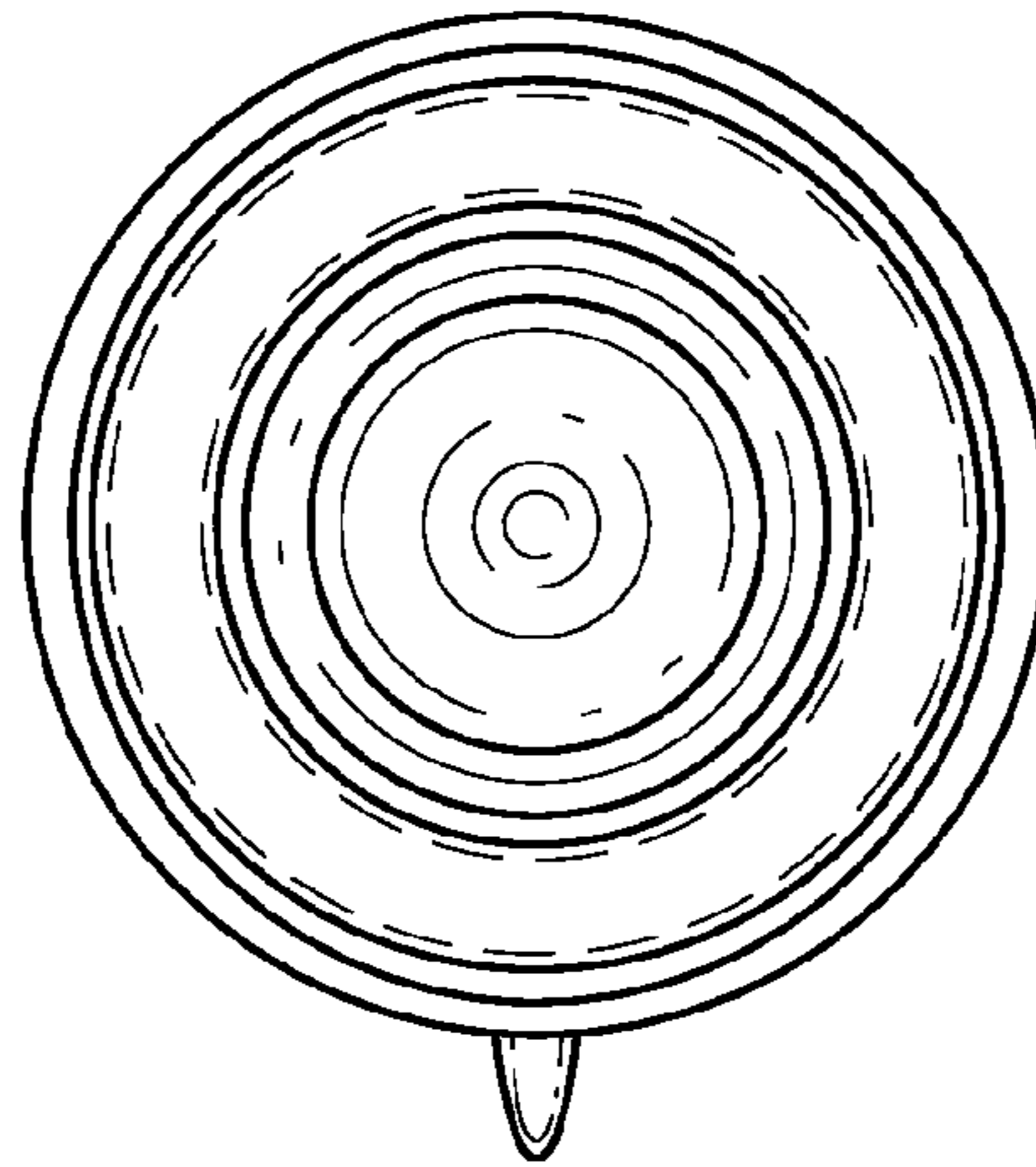
*Fig.3.*



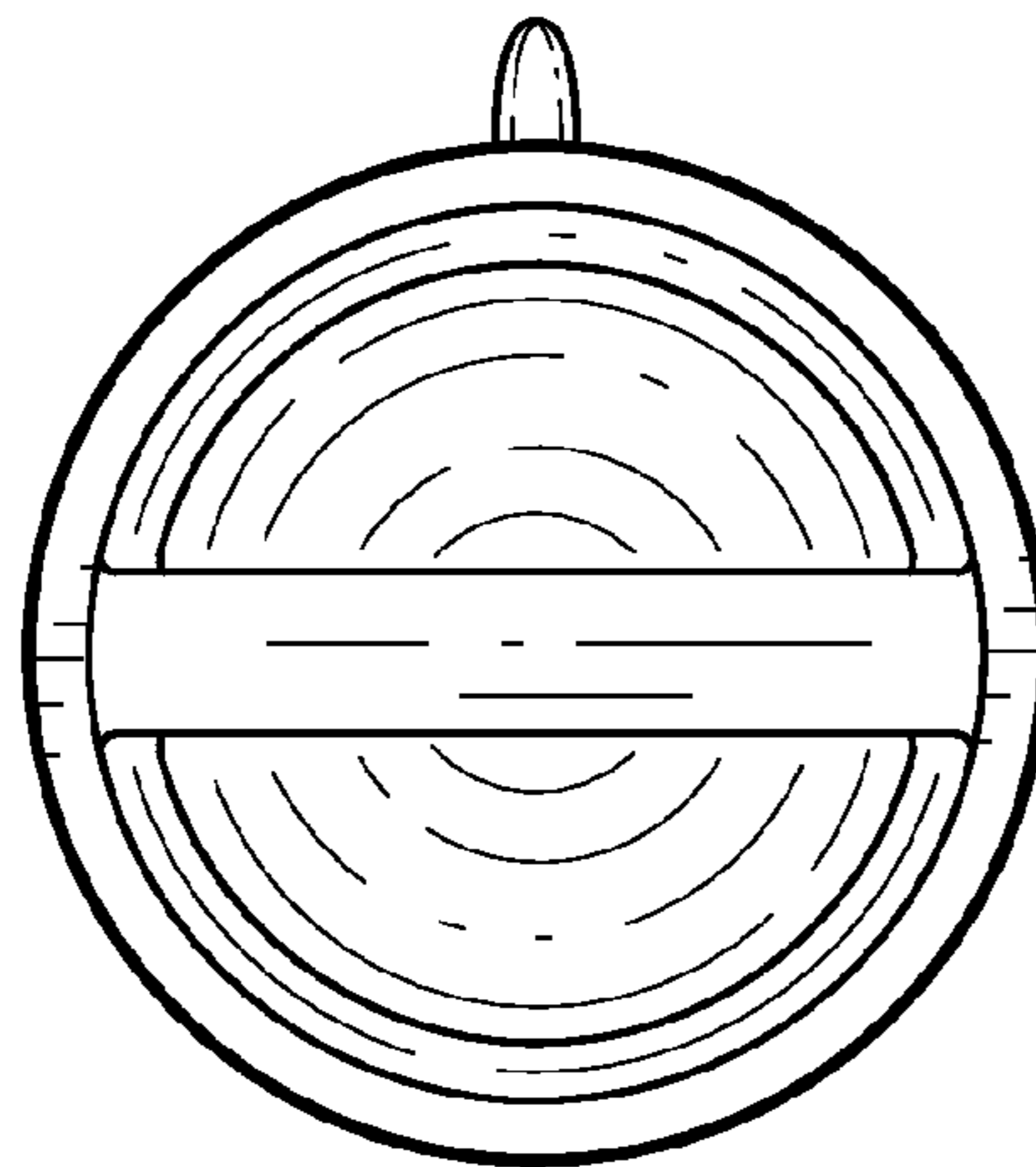
*Fig.4.*



*Fig.5.*



*Fig. 6.*



*Fig. 7.*