



US00D688301S

(12) **United States Design Patent**  
**Ando**

(10) **Patent No.:** **US D688,301 S**

(45) **Date of Patent:** **\*\* Aug. 20, 2013**

(54) **TUNER**

(71) Applicant: **Seiko Instruments Inc.**, Chiba (JP)

(72) Inventor: **Hitoshi Ando**, Chiba (JP)

(73) Assignee: **Seiko Instruments Inc.** (JP)

(\*\*) Term: **14 Years**

(21) Appl. No.: **29/440,676**

(22) Filed: **Dec. 26, 2012**

(30) **Foreign Application Priority Data**

Jun. 27, 2012 (JP) ..... 2012-015186

(51) **LOC (9) Cl.** ..... **17-03**

(52) **U.S. Cl.**  
USPC ..... **D17/20**

(58) **Field of Classification Search**  
USPC ..... D17/20, 21, 99; 84/200, 214, 298,  
84/299, 312 R, 313, 317, 318, 454, 455, 312 P  
See application file for complete search history.

(56) **References Cited**

**U.S. PATENT DOCUMENTS**

3,691,894 A	9/1972	Schneider et al.	84/454
D236,212 S *	8/1975	Beigel	D17/99
4,790,232 A *	12/1988	Rosen	84/329
4,899,636 A	2/1990	Chiba et al.	84/454
D331,769 S *	12/1992	Stevenson	D17/99
5,299,485 A *	4/1994	Denton	84/329
D353,826 S	12/1994	Mayo	D17/20
D378,683 S	4/1997	Ridinger	D17/99
5,659,145 A *	8/1997	Weil	84/464 R
D383,482 S	9/1997	Katsumata	D17/99
D402,684 S	12/1998	Wilson et al.	D17/99
5,990,403 A	11/1999	Membreno et al.	84/454
D459,381 S *	6/2002	Ridinger	D17/20

D478,874 S *	8/2003	Moll et al.	D13/167
D487,905 S	3/2004	Nelson et al.	D17/99
D496,385 S	9/2004	Steinberger	D17/20
6,797,872 B1	9/2004	Catalano et al.	84/454
6,965,067 B2	11/2005	Kondo	84/454
7,265,282 B2	9/2007	Membreno et al.	84/453
D564,013 S	3/2008	Patton et al.	D17/99
D573,173 S	7/2008	Jackson	D17/20
D574,037 S	7/2008	LeGrady et al.	D17/20
7,507,891 B2	3/2009	Lau et al.	84/454
D604,760 S	11/2009	Small	D17/20
7,674,991 B2 *	3/2010	Baird et al.	200/61.29
7,745,710 B2	6/2010	Campling	84/318
D629,837 S	12/2010	Ishibara et al.	D17/20
2004/0020346 A1	2/2004	Kondo	84/454
2004/0182224 A1	9/2004	Catalano et al.	84/454
2005/0087060 A1	4/2005	Taku et al.	84/455
2006/0180004 A1	8/2006	Hurwicz	84/454
2008/0229905 A1	9/2008	Lau et al.	84/454
2010/0005949 A1 *	1/2010	Calcagnini	84/454
2010/0043624 A1 *	2/2010	Nagakura	84/454

\* cited by examiner

*Primary Examiner* — Rashida Johnson

(74) *Attorney, Agent, or Firm* — Adams & Wilks

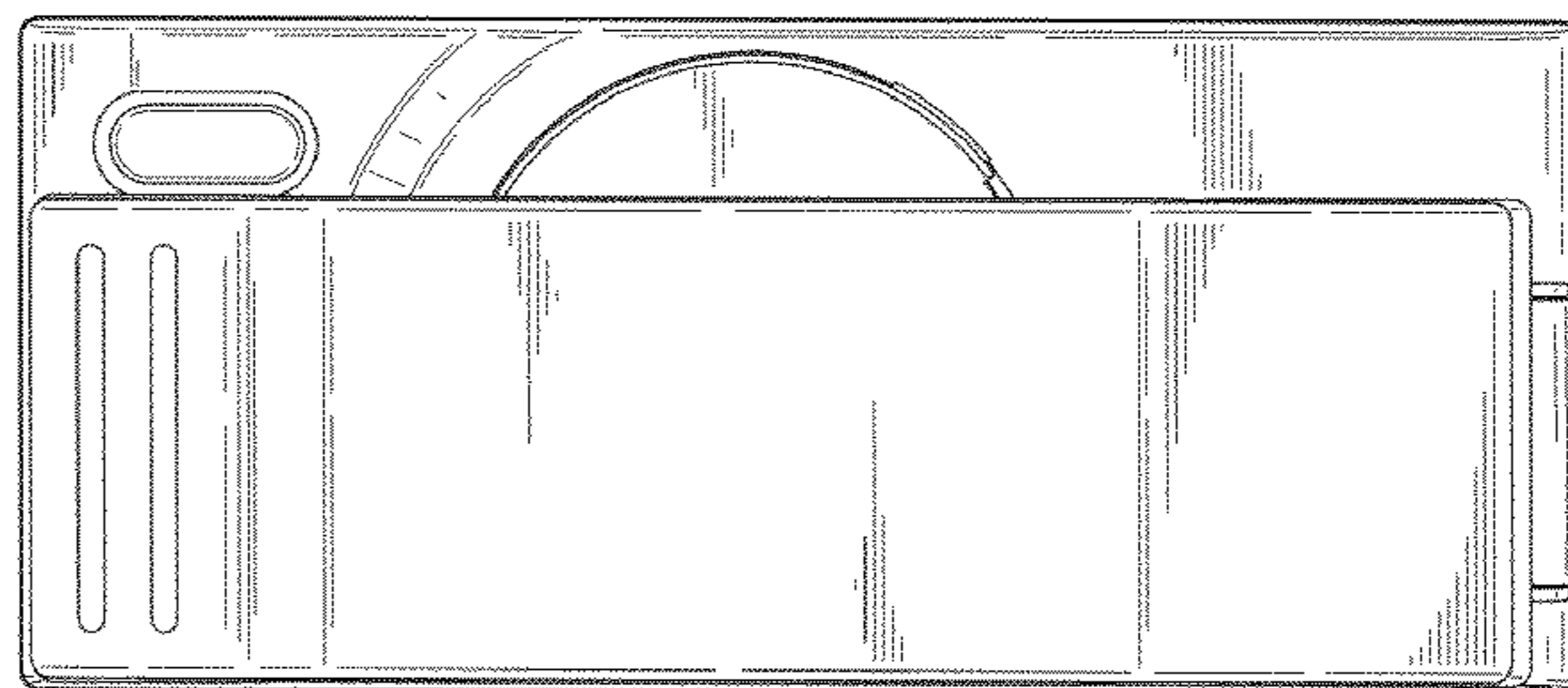
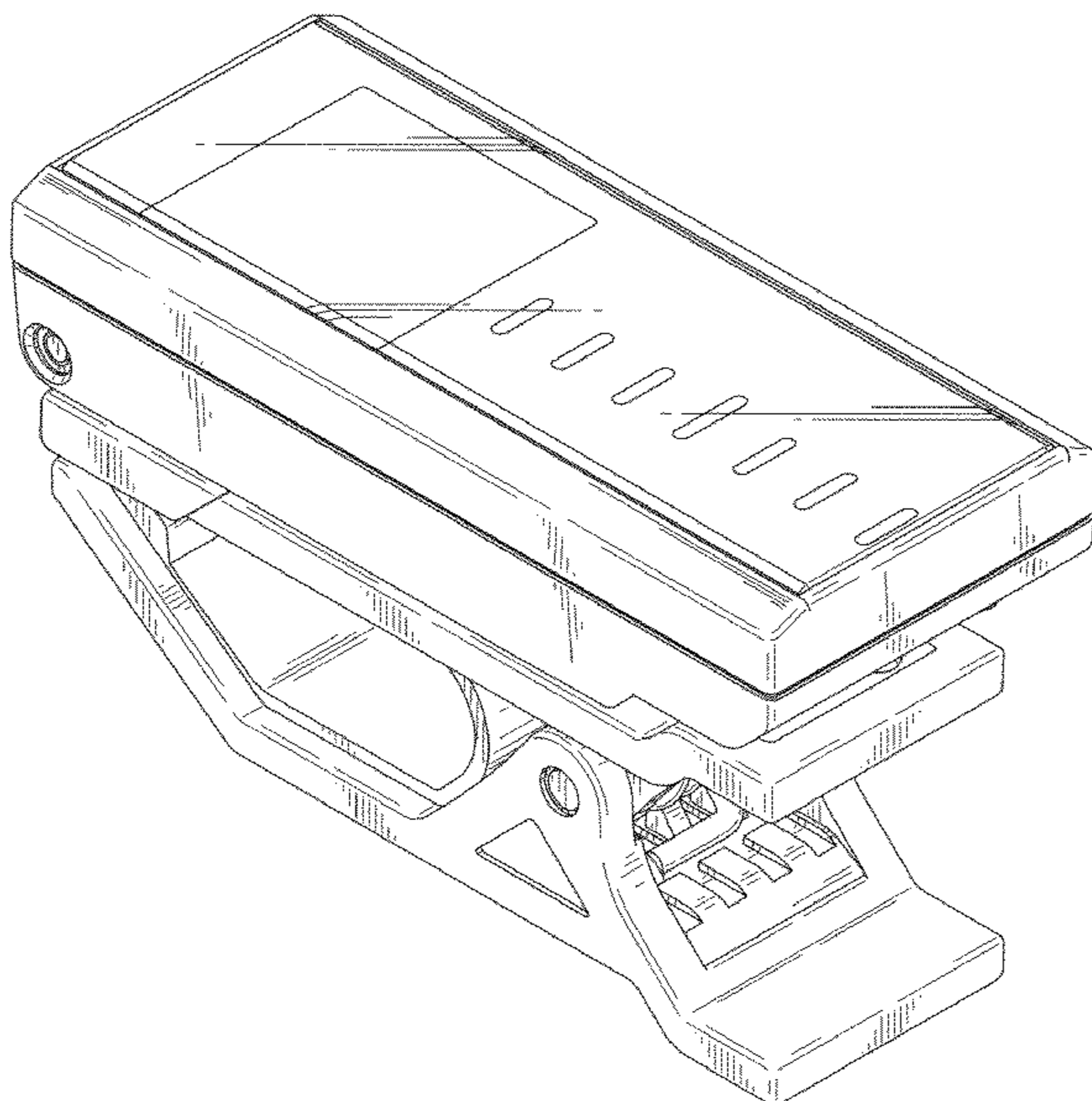
(57) **CLAIM**

The ornamental design for a tuner, shown and described.

**DESCRIPTION**

FIG. 1 is a perspective view of front, bottom and right side view showing a tuner showing my new design thereof, FIG. 2 is a front view thereof; FIG. 3 is a rear view thereof; FIG. 4 is a left side view thereof; FIG. 5 is a right side view thereof; FIG. 6 is a top view thereof; FIG. 7 is a bottom view thereof; and, FIG. 8 is a bottom view showing an alternative state thereof.

**1 Claim, 5 Drawing Sheets**



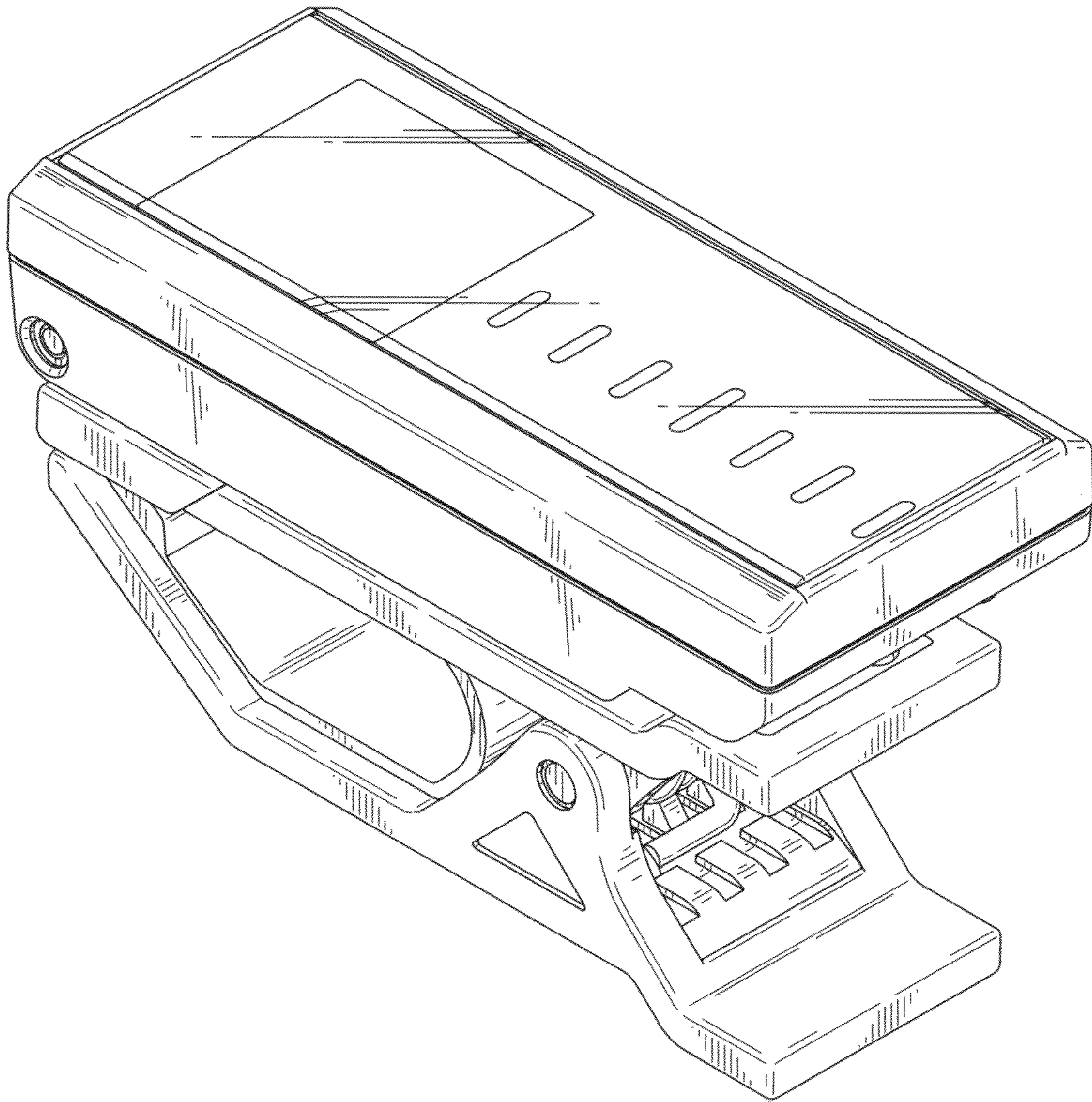


FIG. 1



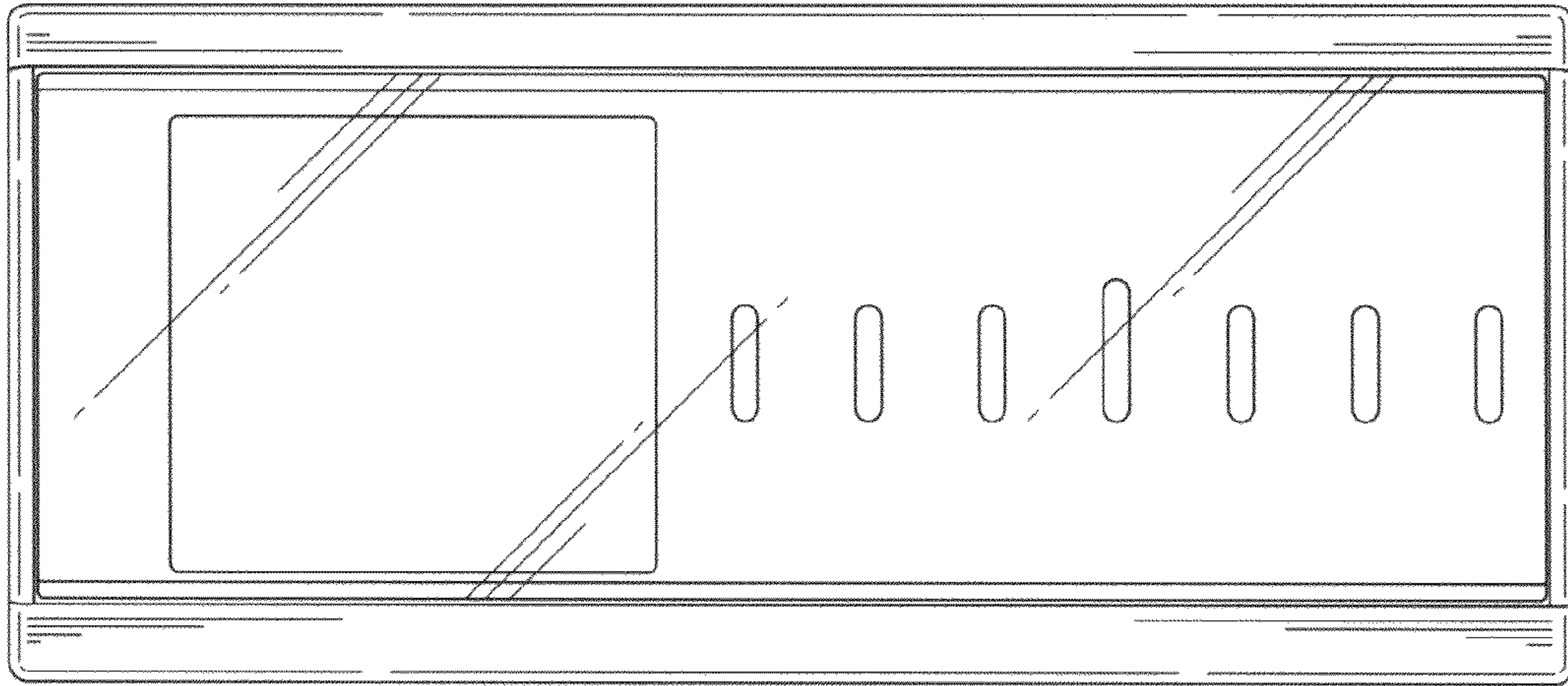


FIG. 2

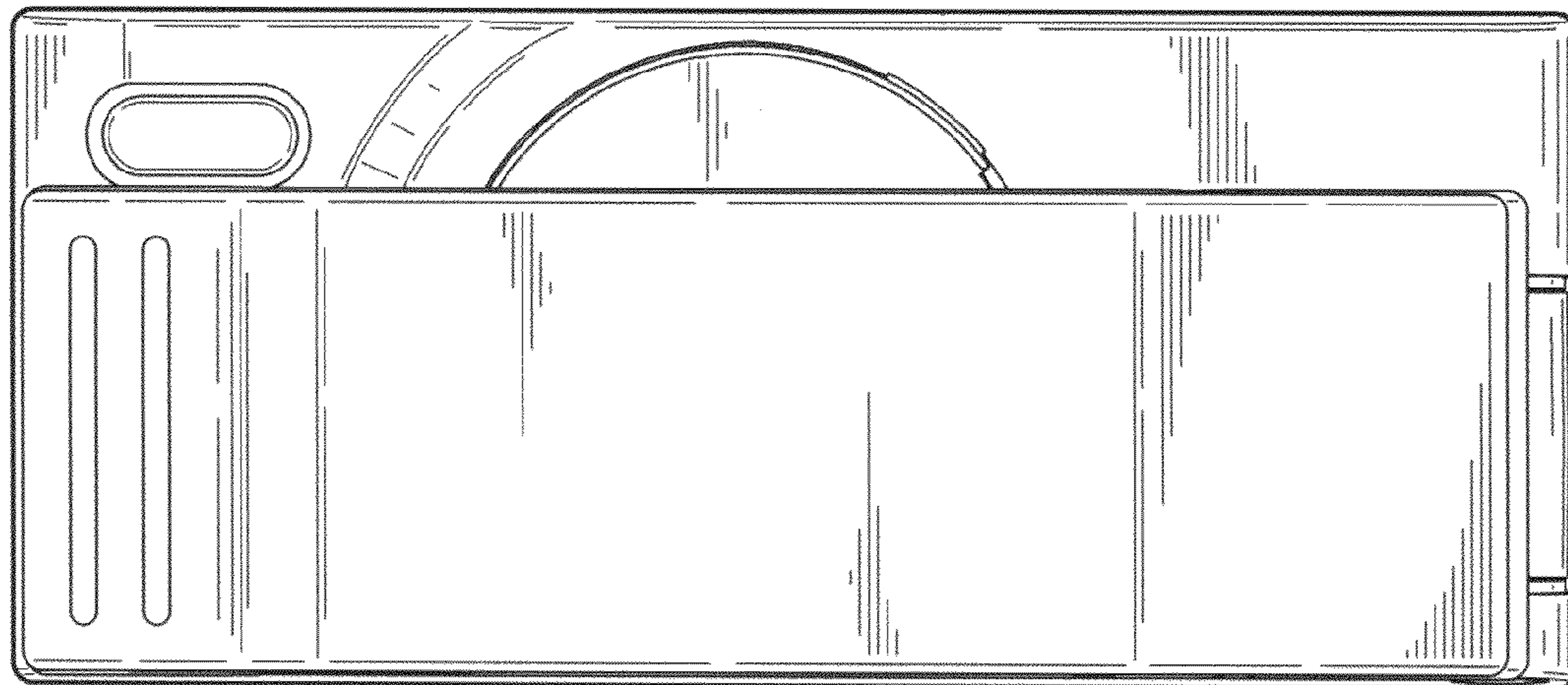
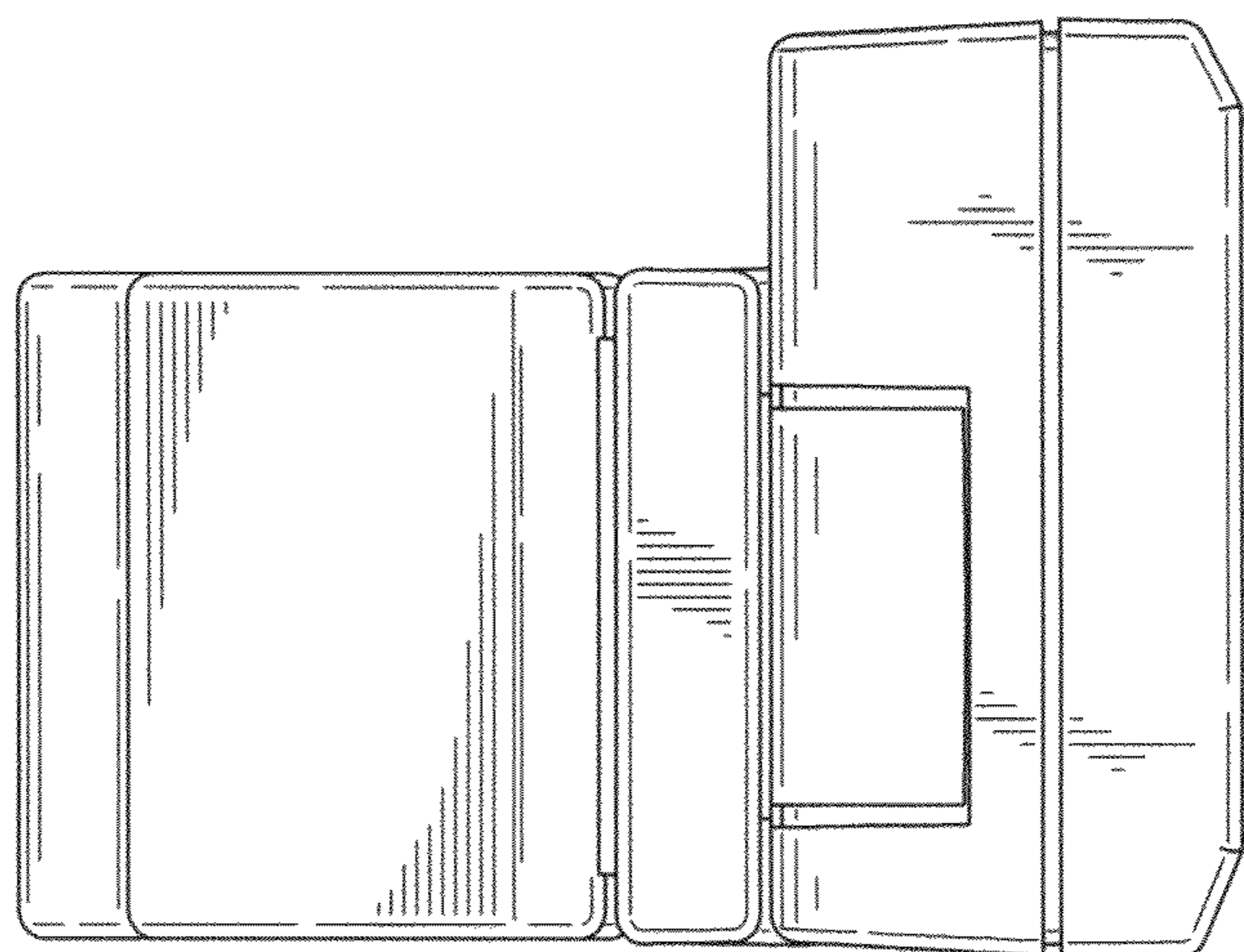
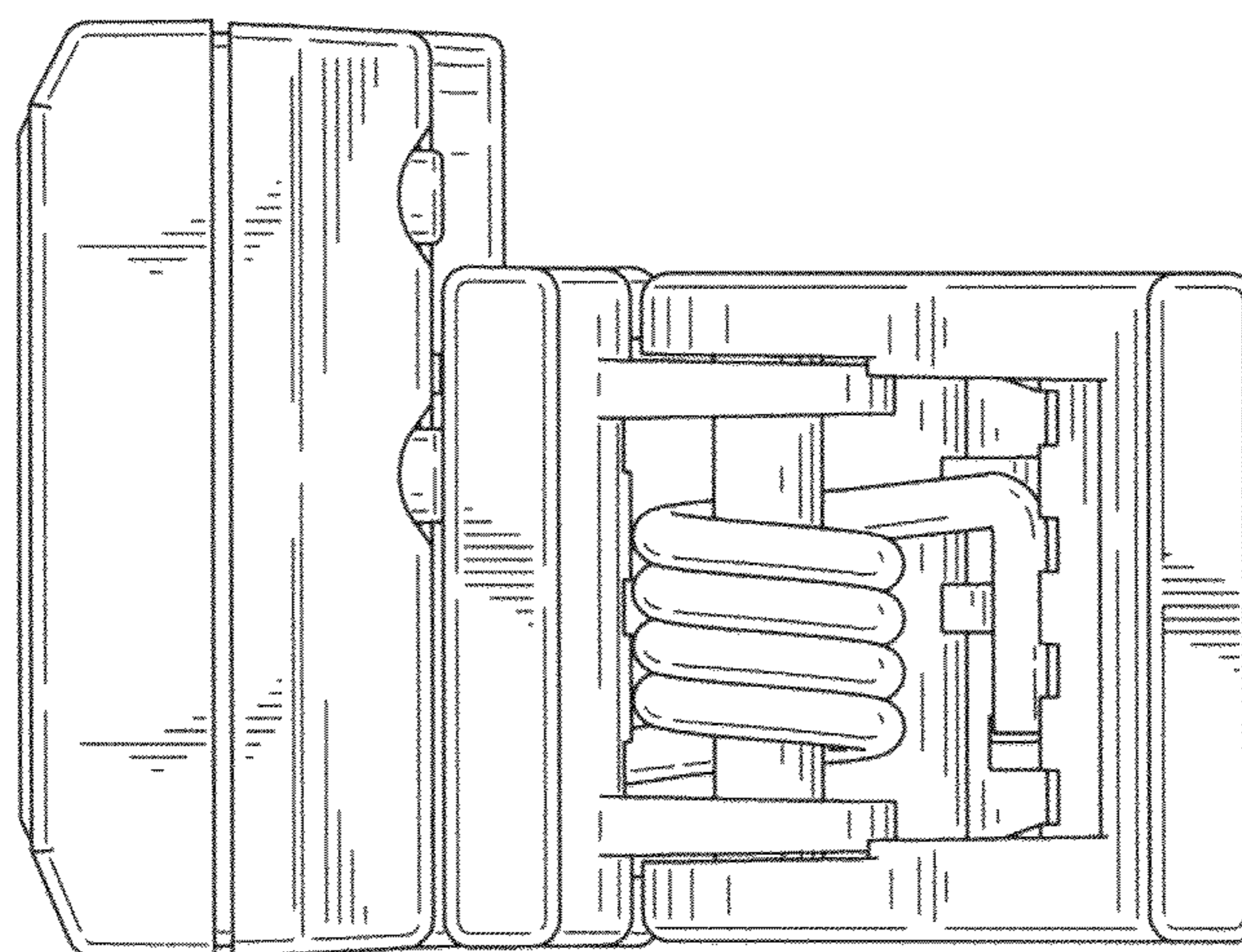


FIG. 3



*FIG. 4*



*FIG. 5*



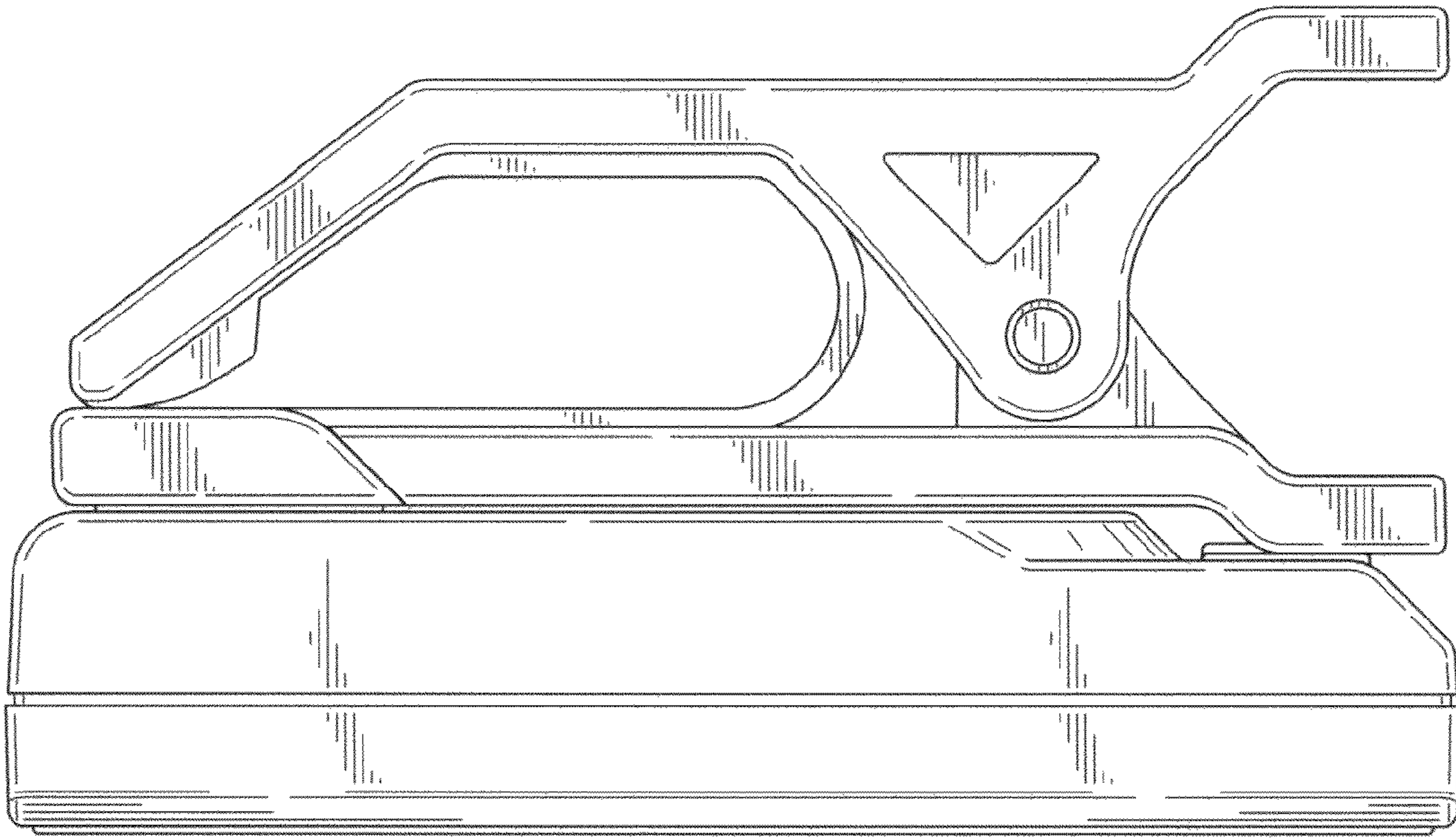


FIG. 6

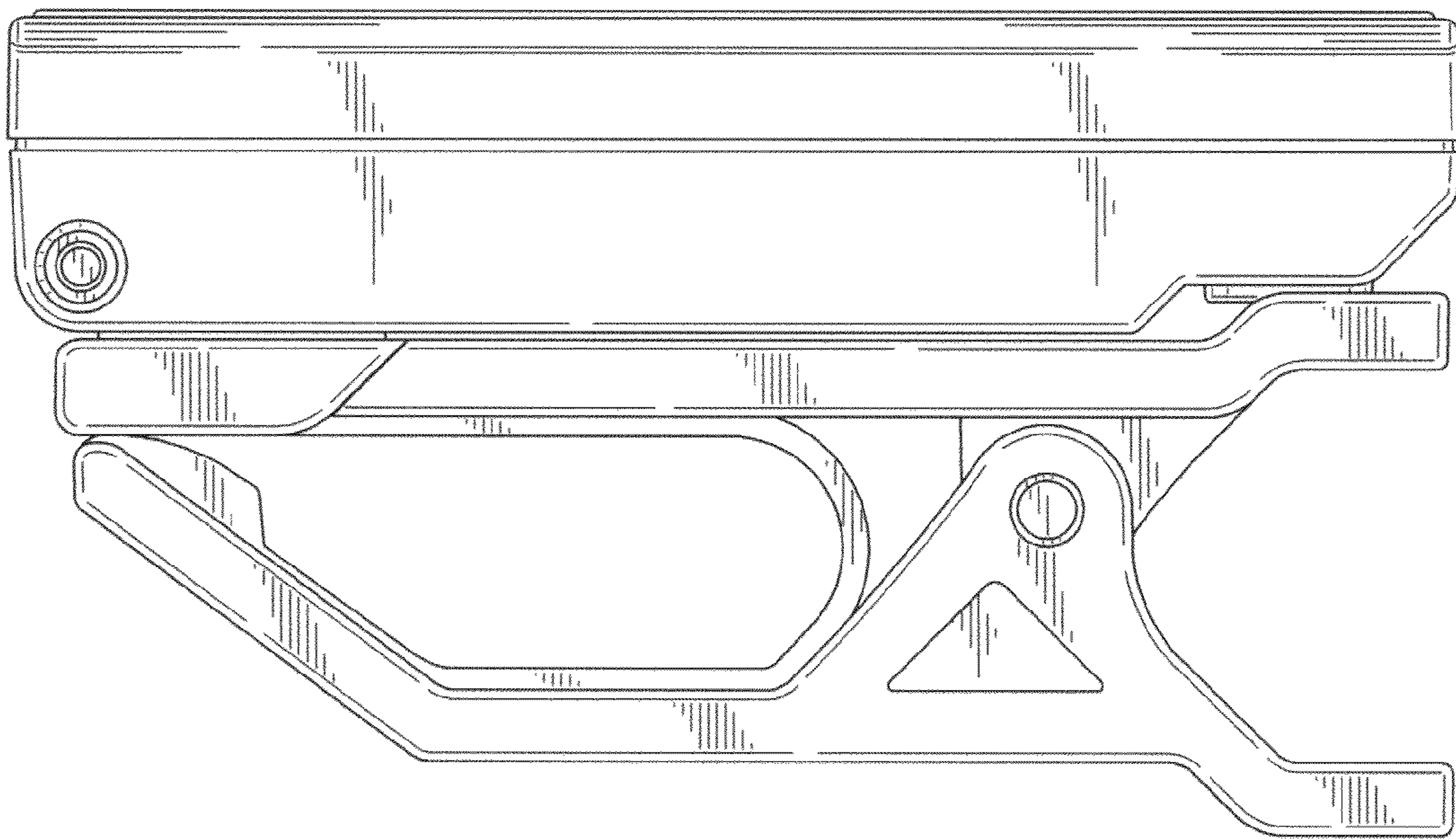


FIG. 7

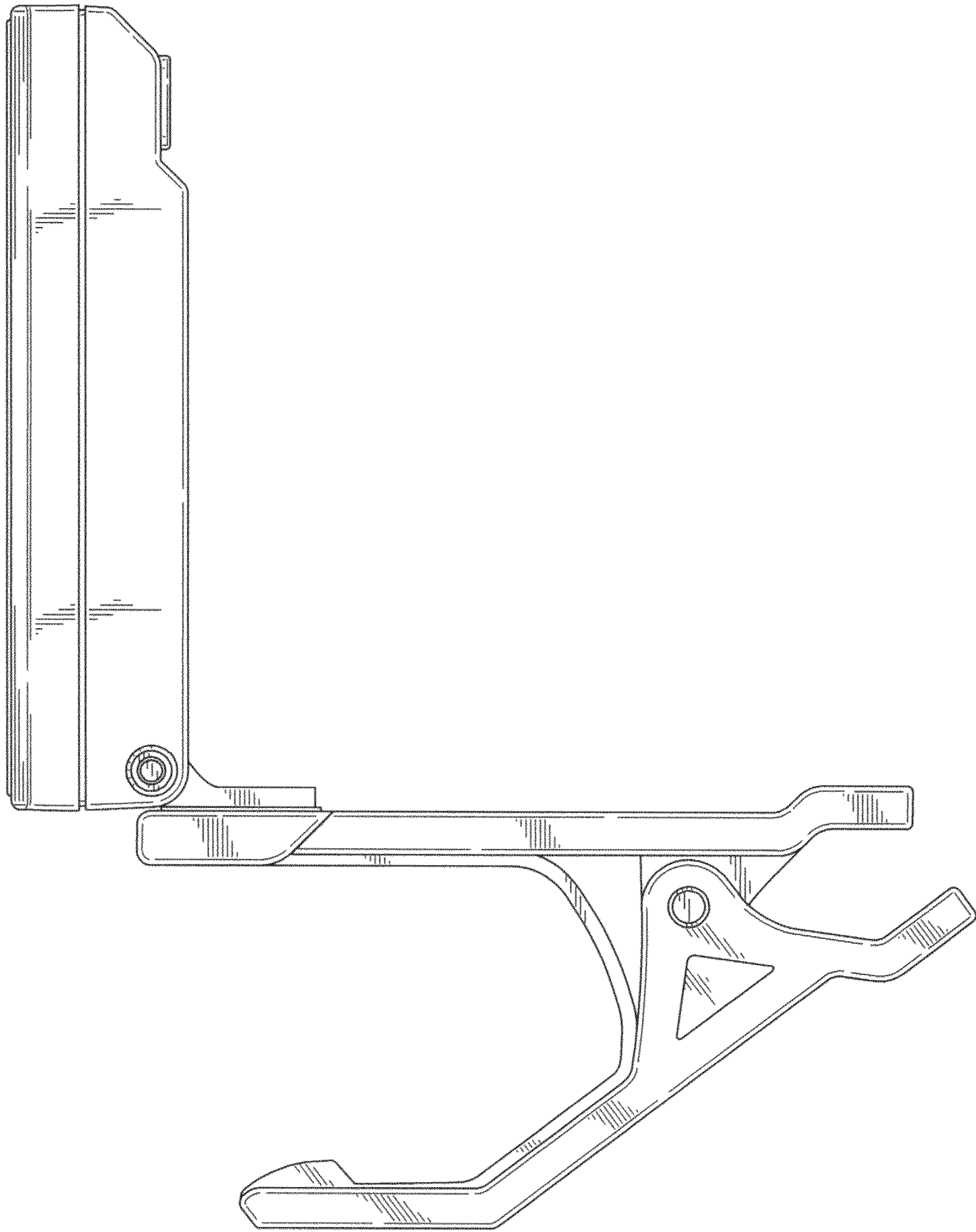


FIG. 8