



US00D688299S

(12) **United States Design Patent**  
**Davies**

(10) **Patent No.:** **US D688,299 S**

(45) **Date of Patent:** **\*\* Aug. 20, 2013**

(54) **HEADSTOCK FOR ELECTRIC VIOLIN**

(75) **Inventor:** **Paul Davies, Rye (AU)**

(73) **Assignee:** **John Leslie Roose Francis, West Melbourne, Victoria (AU)**

(\*\*) **Term:** **14 Years**

(21) **Appl. No.:** **29/392,711**

(22) **Filed:** **May 25, 2011**

(51) **LOC (9) Cl.** ..... **17-03**

(52) **U.S. Cl.**  
USPC ..... **D17/20; D17/17**

(58) **Field of Classification Search**  
USPC ..... **D17/14-20; 84/267, 291, 274-277, 84/723, 726, 728**

See application file for complete search history.

D516,608	S *	3/2006	Butler et al.	.....	D17/20
7,622,662	B2 *	11/2009	Shaper et al.	.....	84/267
7,915,505	B2 *	3/2011	Miniaev	.....	84/291
2003/0145711	A1 *	8/2003	Tamura	.....	84/291
2005/0076764	A1	4/2005	Davis		

**FOREIGN PATENT DOCUMENTS**

EP 0911800 A1 4/1999

\* cited by examiner

*Primary Examiner* — Ian Simmons

*Assistant Examiner* — Carissa C Fitts

(74) *Attorney, Agent, or Firm* — Richard M. Goldberg

(57) **CLAIM**

The ornamental design for a headstock for electric violin, as shown and described.

(56) **References Cited**

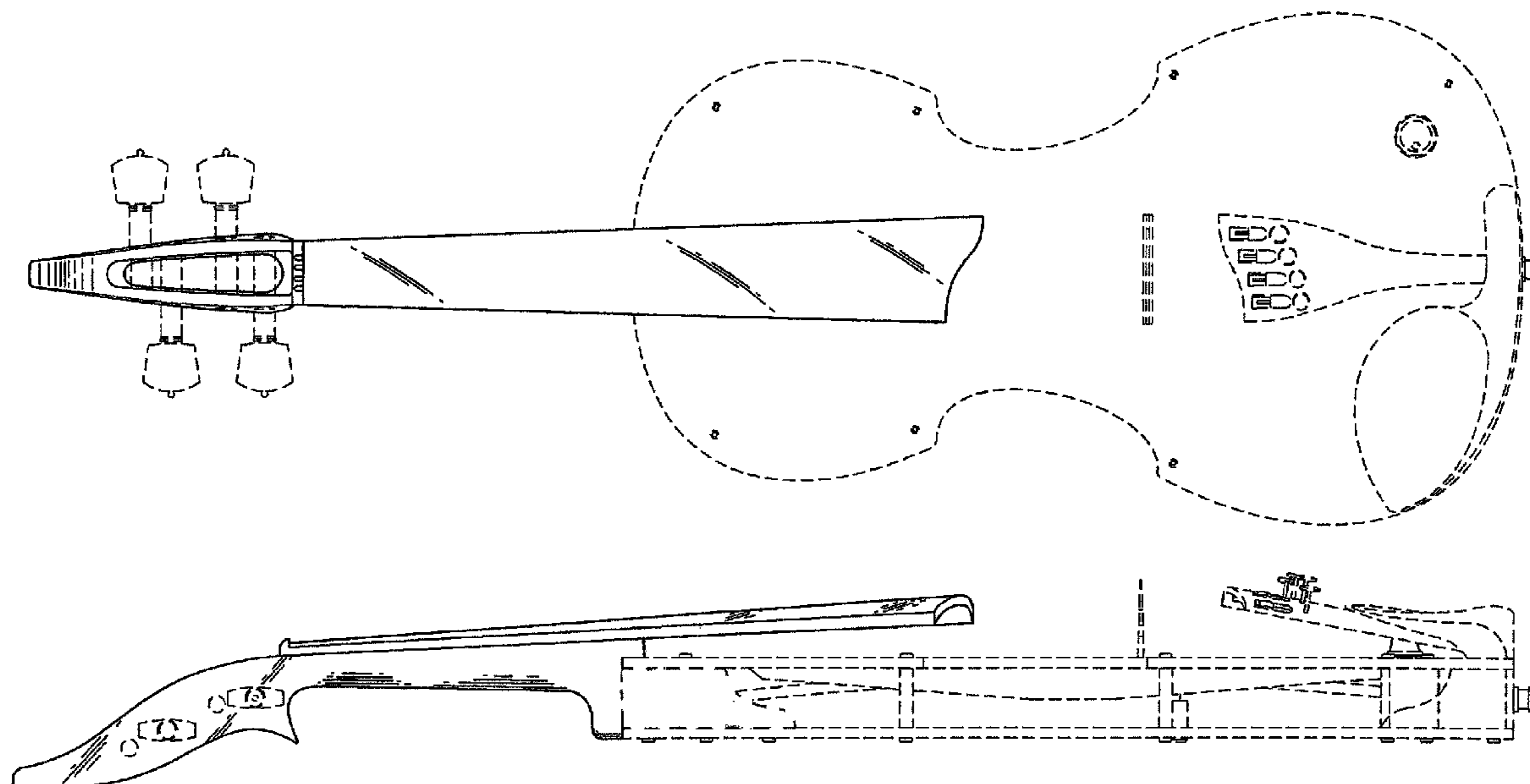
**U.S. PATENT DOCUMENTS**

215,023	A *	5/1879	Sexton	.....	84/309
D198,400	S *	6/1964	Burns	.....	D17/20
D270,255	S *	8/1983	Saidat	.....	D17/17
D288,937	S *	3/1987	Barrett	.....	D17/17
D312,473	S *	11/1990	Ross	.....	D17/17
D346,817	S *	5/1994	Attia	.....	D17/20
5,396,822	A	3/1995	Itokawa		
D384,689	S *	10/1997	Najarian	.....	D17/19
D385,901	S *	11/1997	Wong	.....	D17/20
D403,013	S *	12/1998	Honda	.....	D17/17
5,990,410	A *	11/1999	Johnson	.....	84/731
6,008,440	A *	12/1999	Yamada	.....	84/291
D419,587	S *	1/2000	Okamura	.....	D17/14
D441,004	S *	4/2001	Kondo	.....	D17/14
6,750,385	B1 *	6/2004	Sugden	.....	84/274

**DESCRIPTION**

FIG. 1 is a front, top, perspective view of headstock for electric violin of my design;  
 FIG. 2 is a rear, bottom, perspective view thereof;  
 FIG. 3 is a top plan view thereof;  
 FIG. 4 is a bottom plan view thereof;  
 FIG. 5 is a right side elevational view thereof;  
 FIG. 6 is a left side elevational view thereof; and,  
 FIG. 7 is a front side elevational view thereof.  
 The violin body and pegs for the headstock are shown in dashed lines and do not form part of the claimed invention. The broken line showing is for environmental purposes only and forms no part of the claimed design.

**1 Claim, 6 Drawing Sheets**



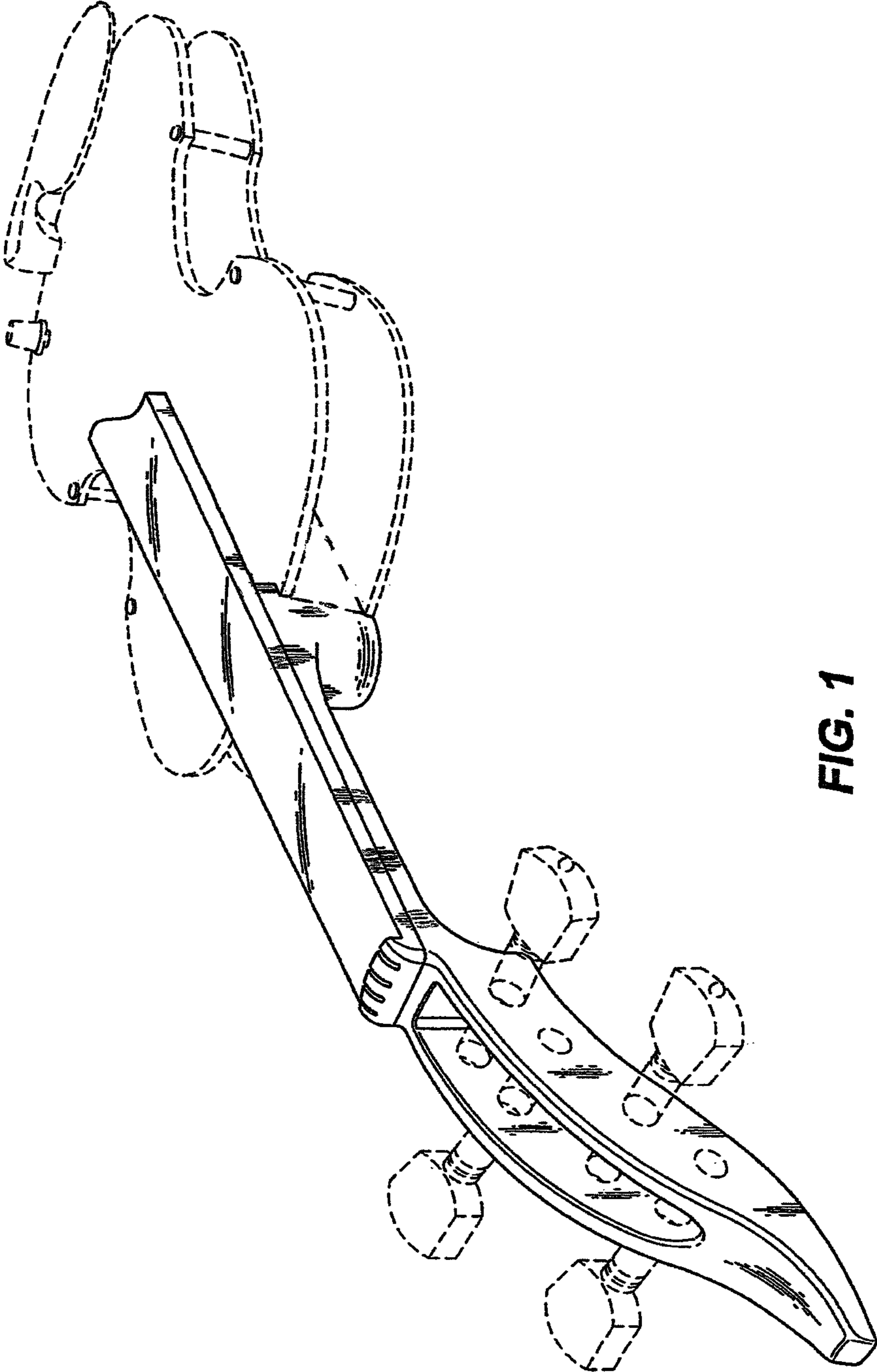


FIG. 1

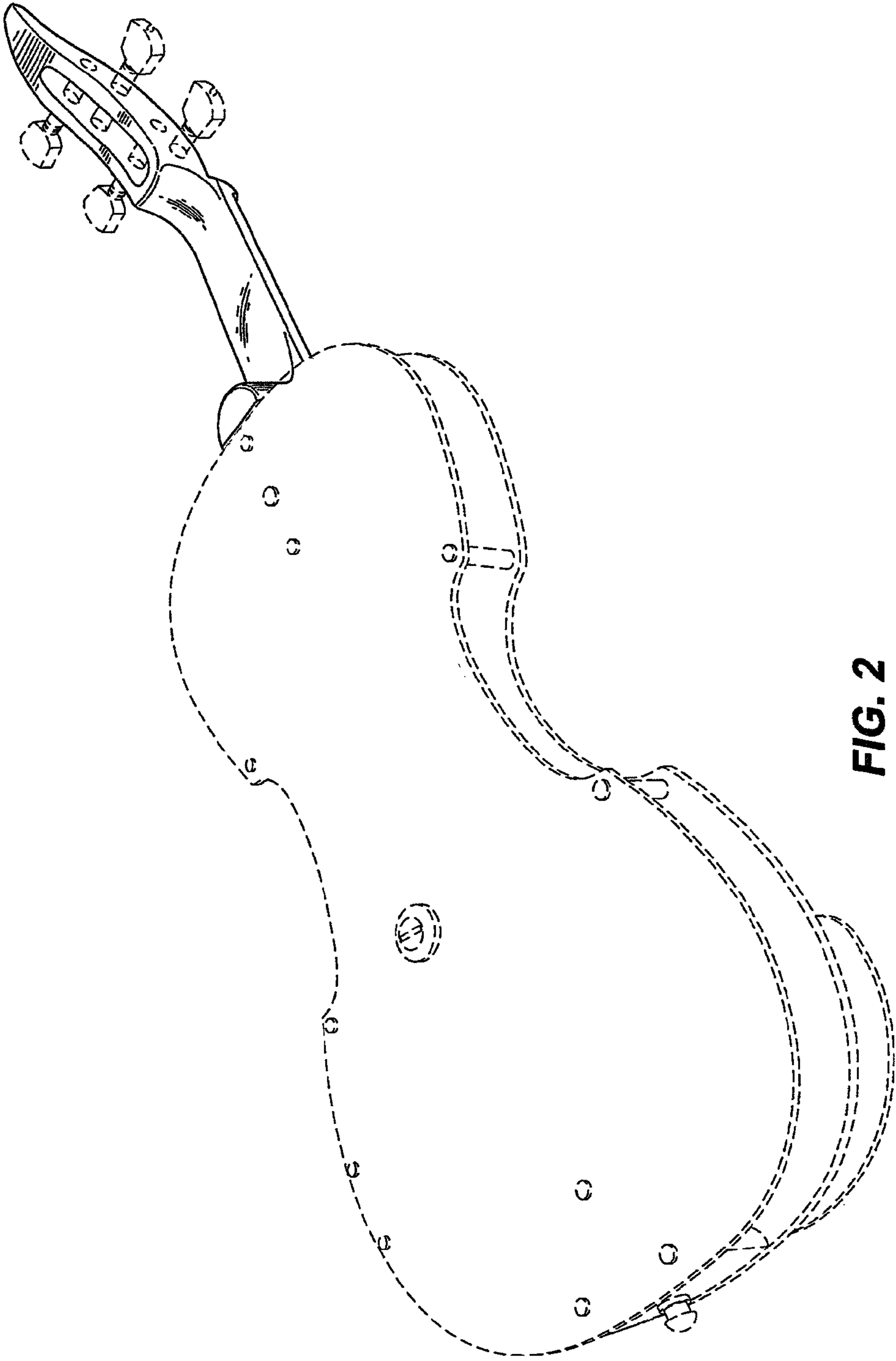


FIG. 2

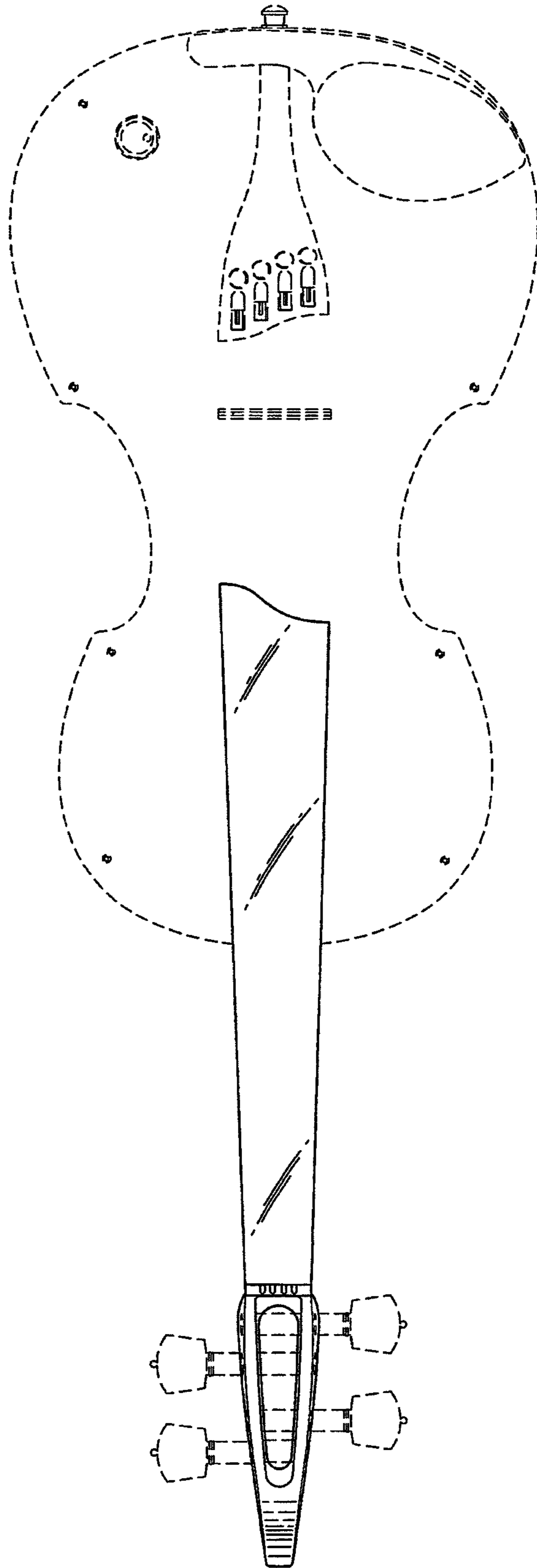


FIG. 3

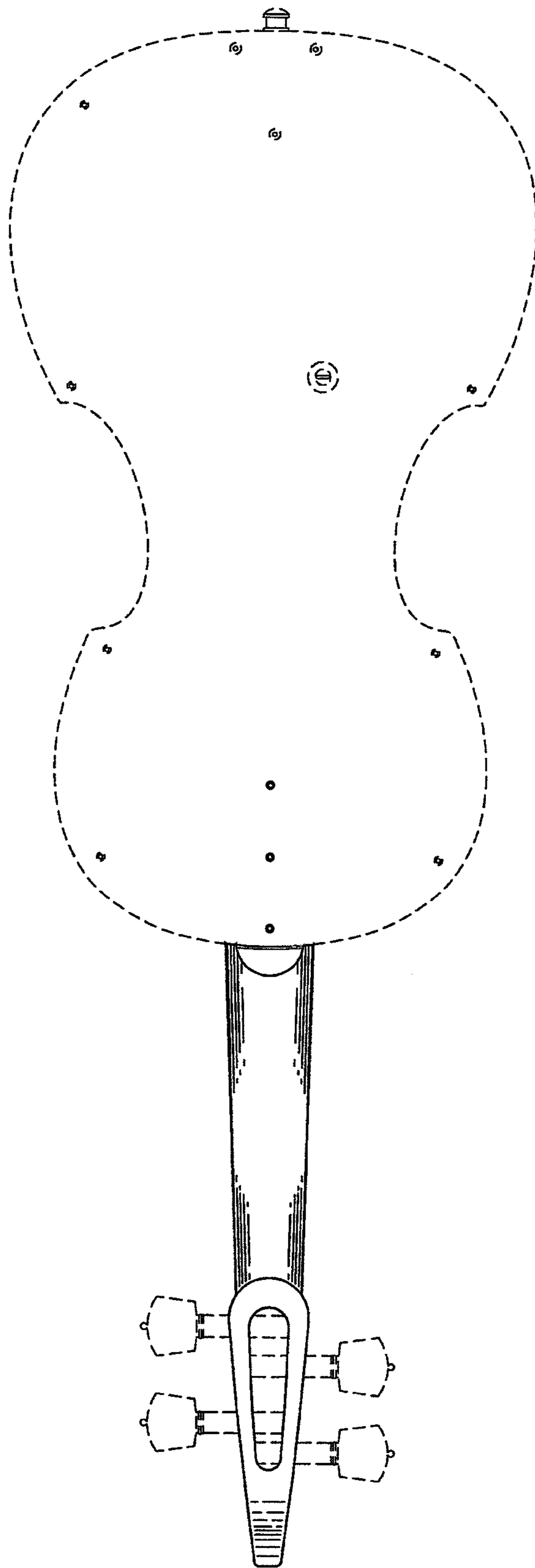


FIG. 4

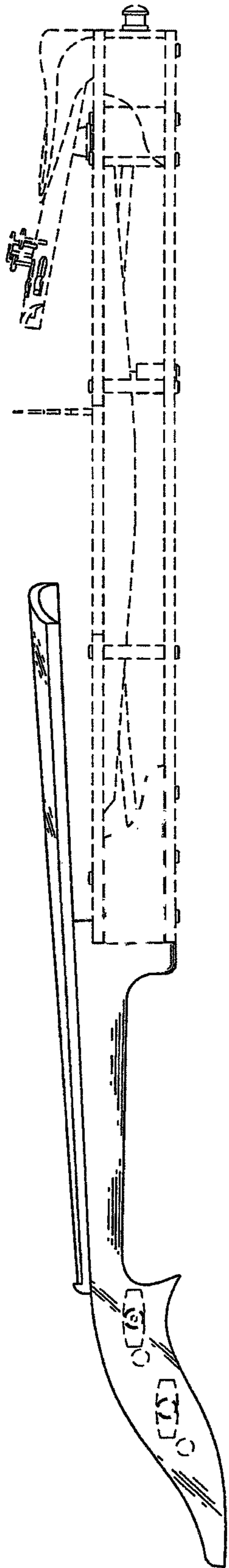


FIG. 5

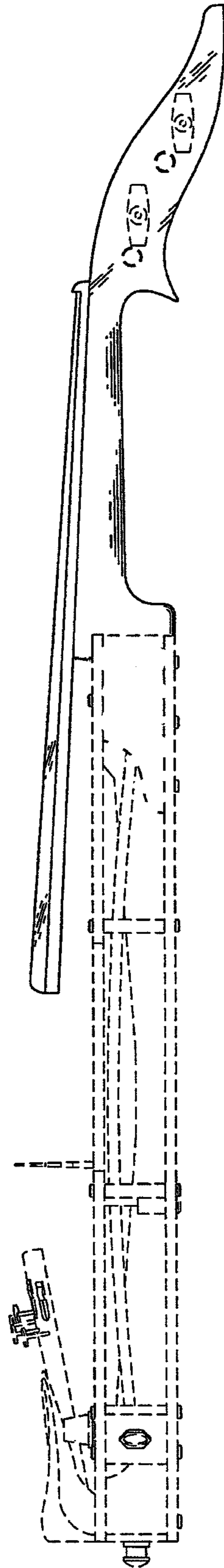


FIG. 6



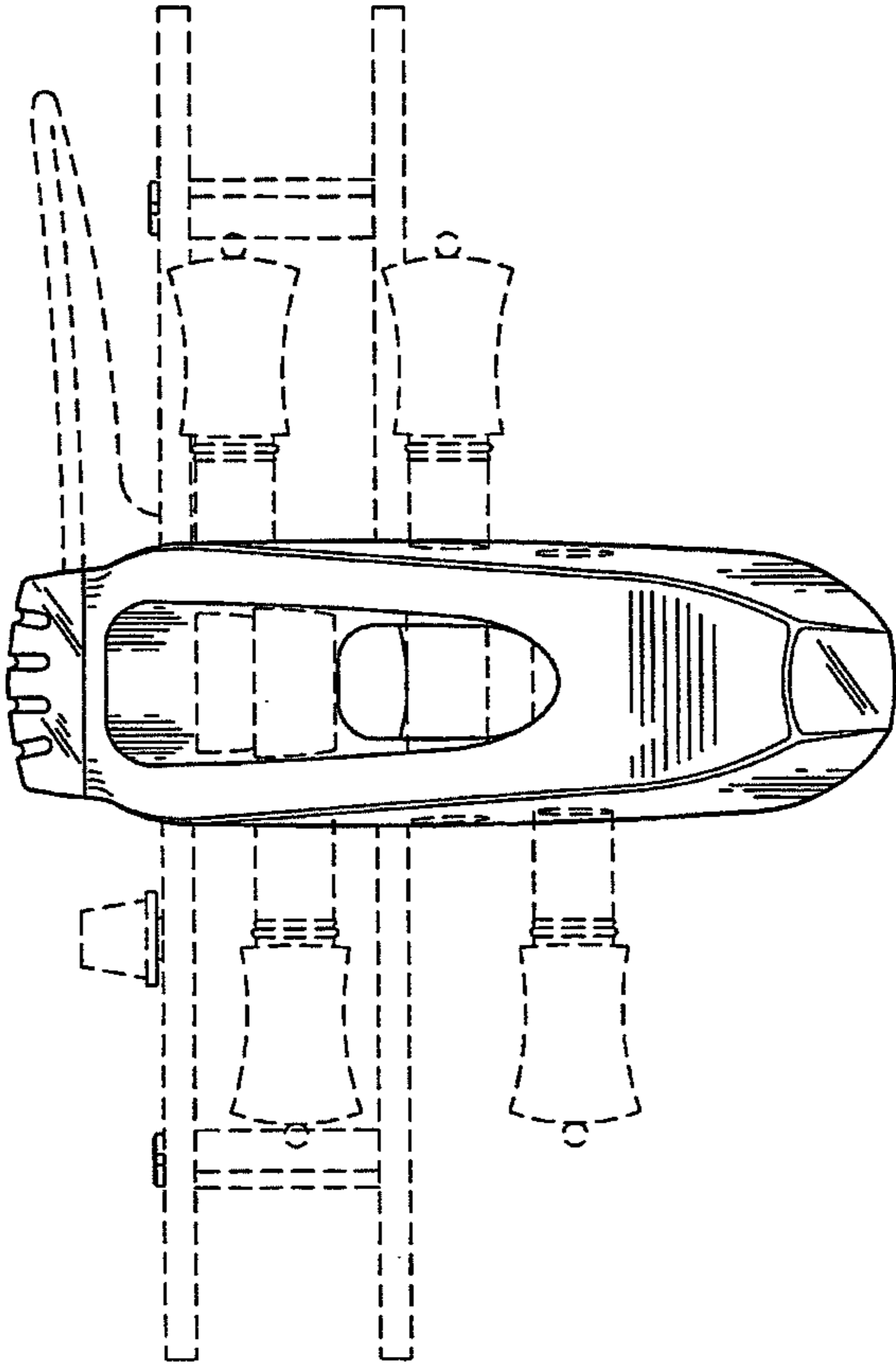


FIG. 7