



US00D688297S

(12) **United States Design Patent**
Graham

(10) **Patent No.:** **US D688,297 S**

(45) **Date of Patent:** **** Aug. 20, 2013**

(54) **GUITAR**

(76) Inventor: **Jan Graham**, Shelby Township, MI
(US)

(**) Term: **14 Years**

(21) Appl. No.: **29/380,160**

(22) Filed: **Dec. 1, 2010**

(51) **LOC (9) Cl.** **17-03**

(52) **U.S. Cl.**
USPC **D17/14**

(58) **Field of Classification Search**
USPC D17/14, 15, 18–20; 84/267–269,
84/290–292; D21/405
See application file for complete search history.

(56) **References Cited**

U.S. PATENT DOCUMENTS

D362,265	S	*	9/1995	DeCola	D17/20
D457,911	S	*	5/2002	Driskill, Jr.	D17/20
D481,412	S	*	10/2003	Minarik	D17/20
D526,000	S	*	8/2006	Stewart	D17/14
D539,835	S	*	4/2007	Brugal	D17/20
D544,767	S	*	6/2007	Kelleghan	D8/38
D565,093	S	*	3/2008	Chan	D17/14
D579,969	S	*	11/2008	Hirsch	D17/14

D606,581	S	*	12/2009	Ierymenko et al.	D17/14
D625,753	S	*	10/2010	Hoffman	D17/14
D629,836	S	*	12/2010	Hoffman	D17/14
D641,035	S	*	7/2011	Opatik	D17/14
2007/0214931	A1	*	9/2007	Lyles	84/267

* cited by examiner

Primary Examiner — Ian Simmons

Assistant Examiner — Carissa C Fitts

(74) *Attorney, Agent, or Firm* — The Weintraub Group, P.L.C.

(57) **CLAIM**

The ornamental design for a guitar, as shown and described.

DESCRIPTION

FIG. 1 is a perspective view of a guitar showing my new design;
 FIG. 2 is a top plan view thereof first end elevational view thereof;
 FIG. 3 is a first side elevational view thereof;
 FIG. 4 is a bottom plan view thereof;
 FIG. 5 is a second side elevational view as seen from the side opposite that of FIG. 3;
 FIG. 6 is a first end elevational view thereof top plan view thereof; and,
 FIG. 7 is a second end elevational as seen from the end opposite that of FIG. 6 bottom plan view thereof.

1 Claim, 3 Drawing Sheets

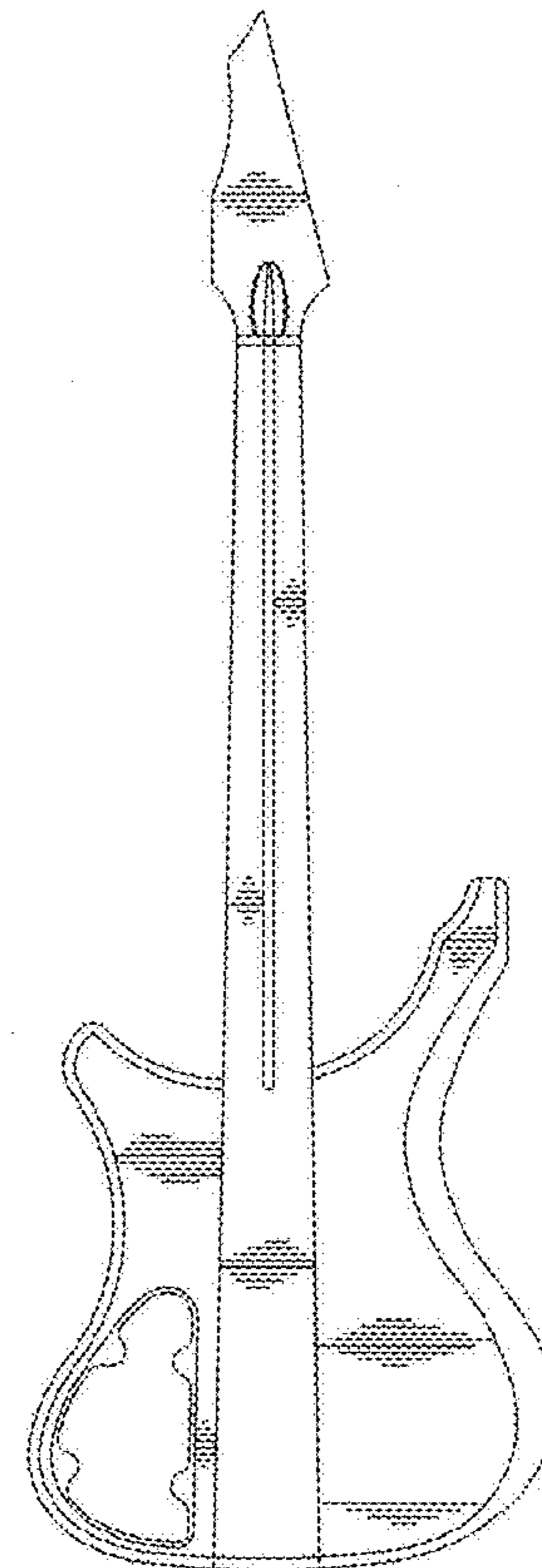
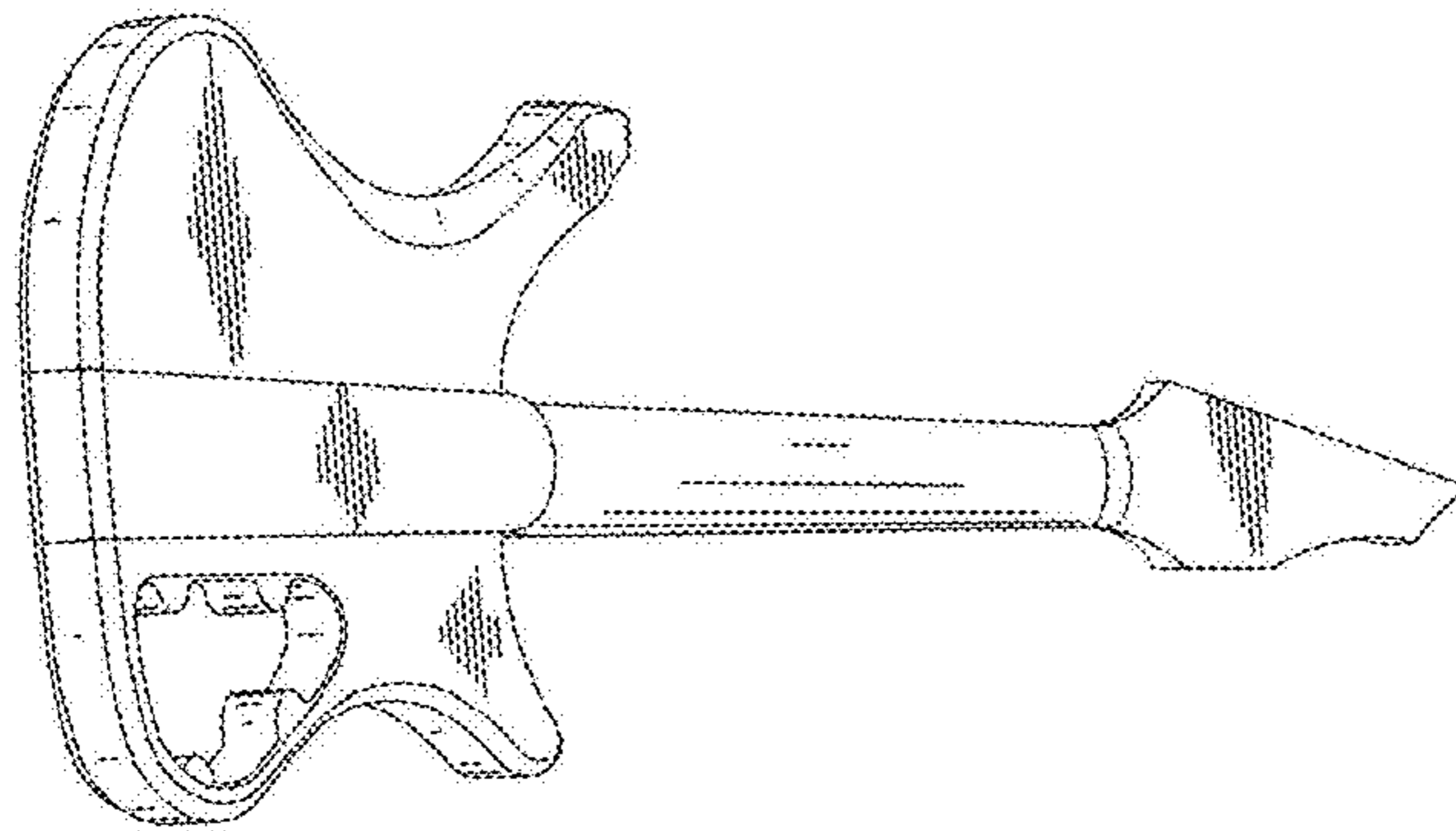


FIG 1

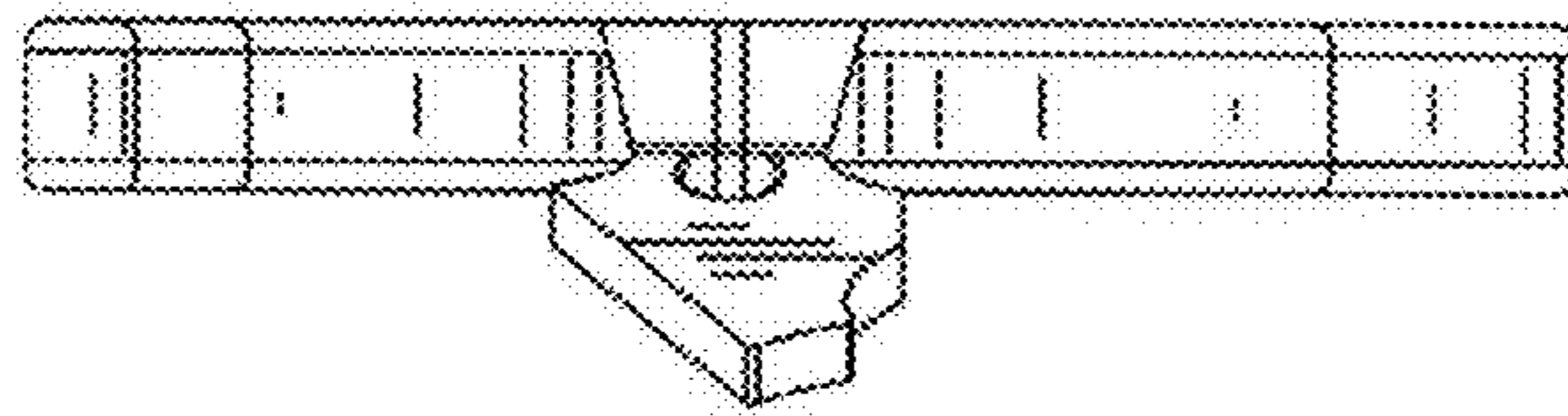
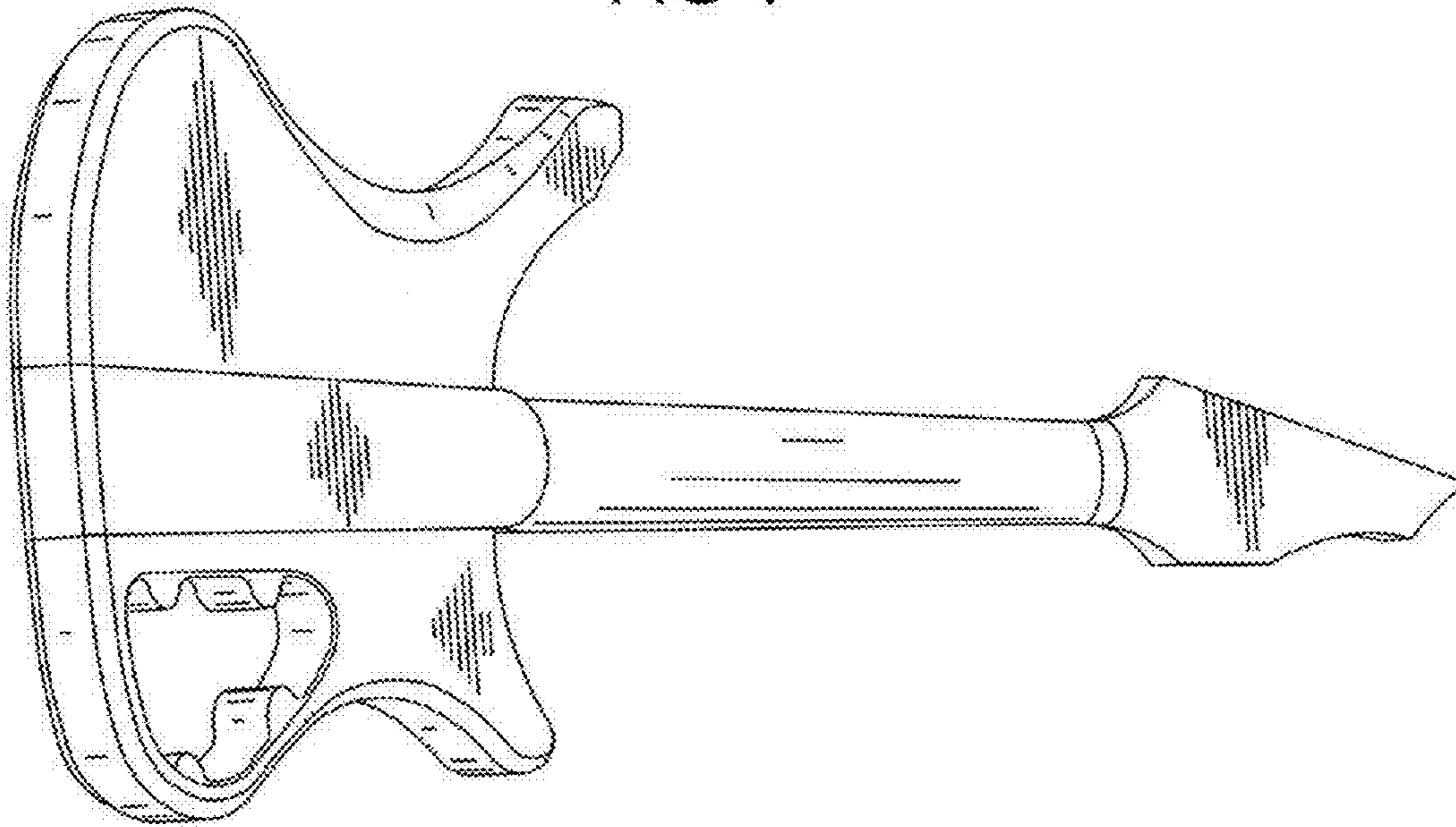


FIG 6

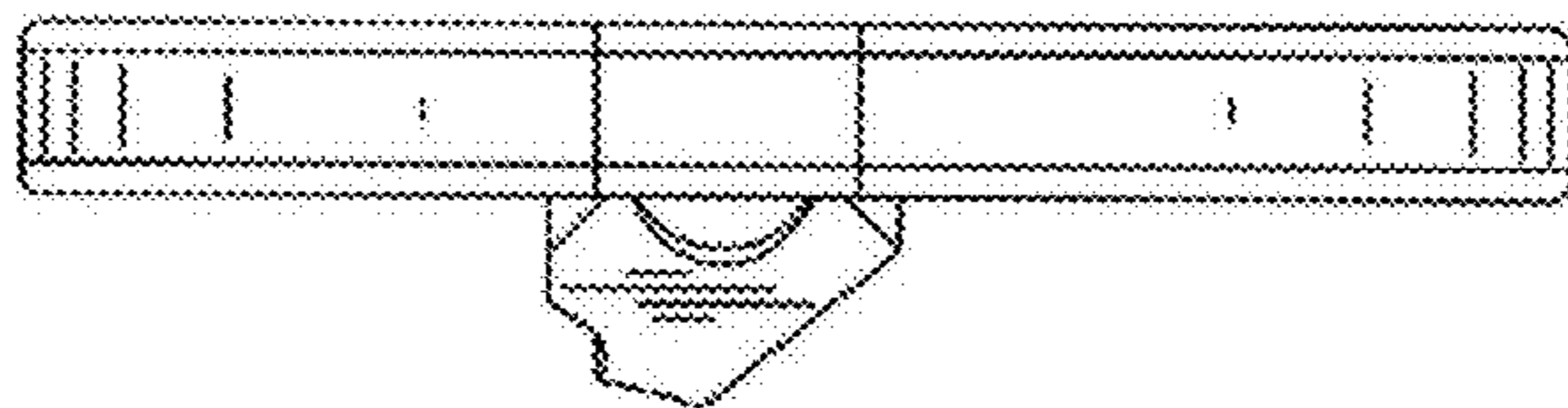


FIG 7

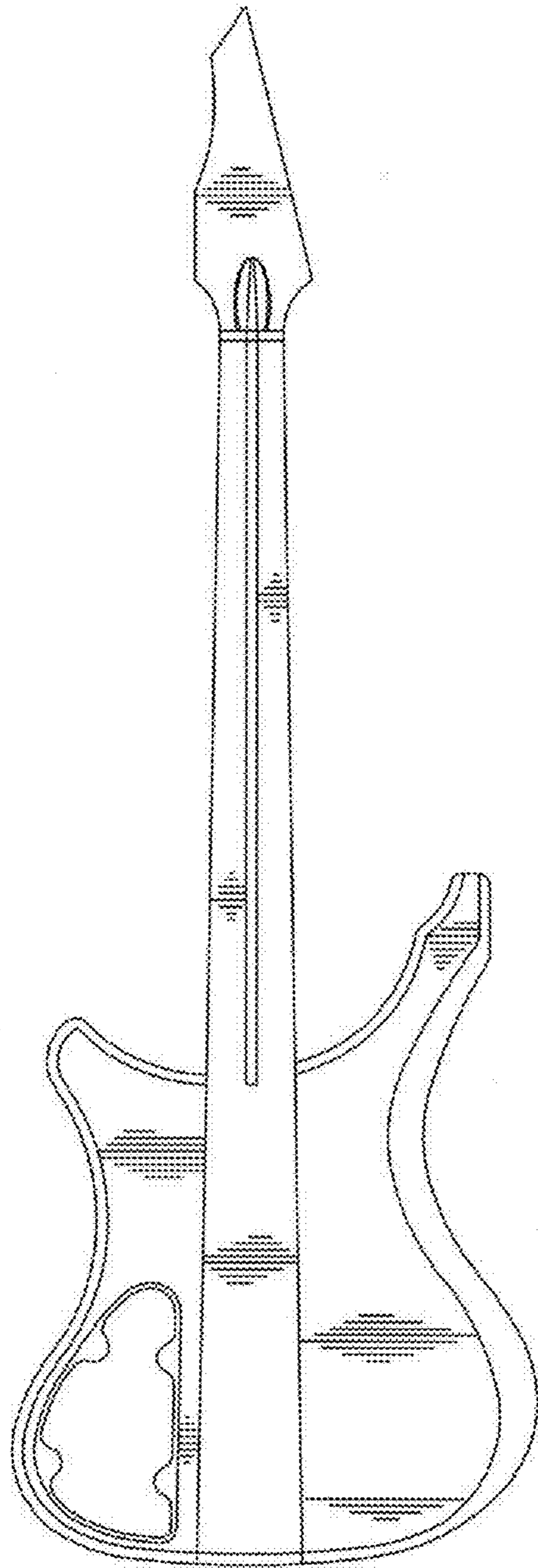


FIG 2

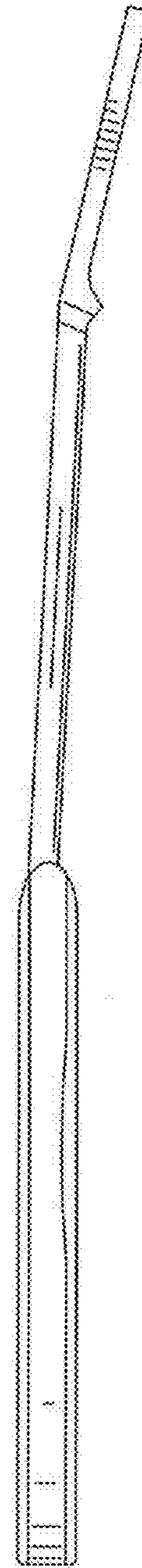


FIG 3

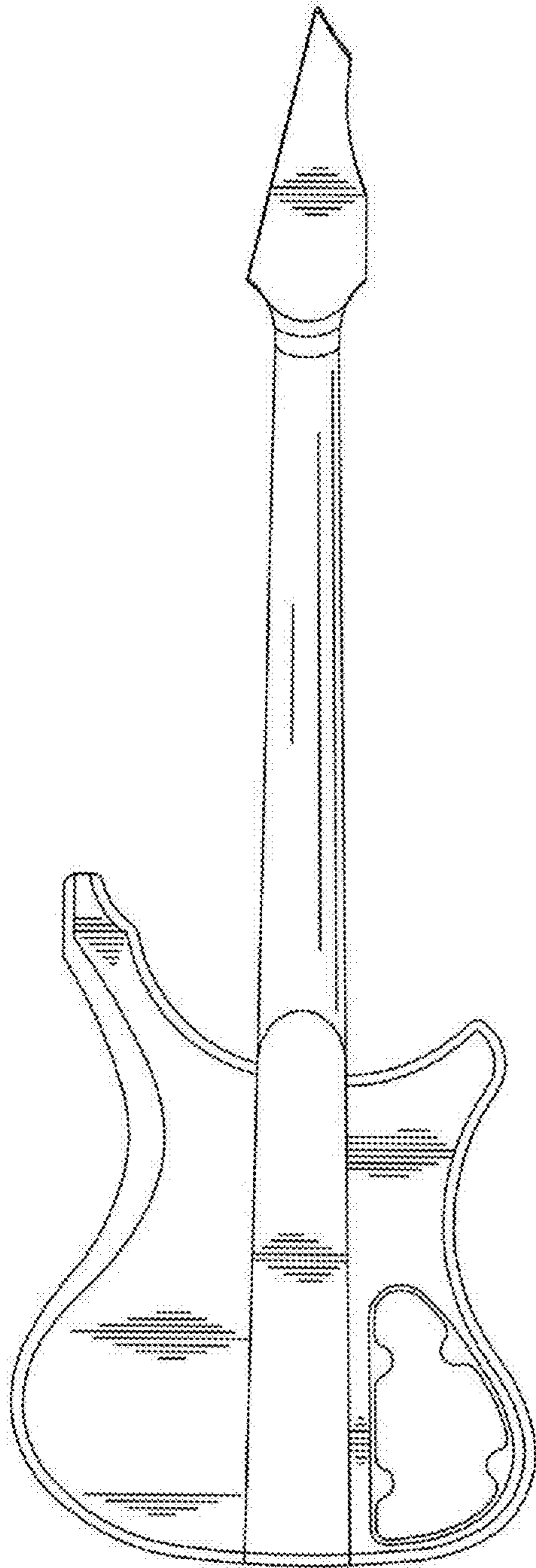


FIG 4

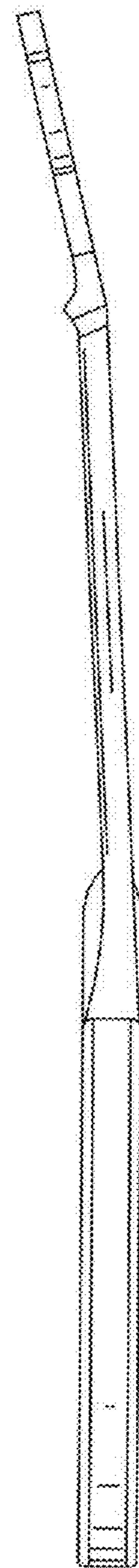


FIG 5