



US00D688293S

(12) **United States Design Patent**
Chen et al.

(10) **Patent No.:** **US D688,293 S**

(45) **Date of Patent:** **** Aug. 20, 2013**

(54) **FLASH TRIGGER TRANSMITTER**

(75) Inventors: **Yuan Bo Chen**, Guangdong Province (CN); **Hung Lok Poon**, Kln (HK)

(73) Assignee: **Eternal Fortune (HK) Ltd.**, Kln (HK)

(**) Term: **14 Years**

(21) Appl. No.: **29/423,120**

(22) Filed: **May 29, 2012**

(51) **LOC (9) Cl.** **16-05**

(52) **U.S. Cl.**
USPC **D16/239; D16/237**

(58) **Field of Classification Search**
USPC **D16/237, 239, 250; D14/217, 218, D14/299; D13/168; 455/352; 348/734**
See application file for complete search history.

(56) **References Cited**

U.S. PATENT DOCUMENTS

D180,551	S *	7/1957	Gribin et al.	D14/218
3,148,330	A *	9/1964	Malerbi	396/195
D234,370	S *	2/1975	Oberheim et al.	D16/240
D250,893	S *	1/1979	Ozawa	D16/239
D255,689	S *	7/1980	Ap et al.	D16/239
D265,831	S *	8/1982	Schultes et al.	D16/239
D366,262	S *	1/1996	Inaba	D14/218
D395,311	S *	6/1998	Parsadayan et al.	D14/218
D395,312	S *	6/1998	Parsadayan et al.	D14/218
D412,338	S *	7/1999	Goto et al.	D16/239
D433,675	S *	11/2000	Carranco et al.	D14/218
D450,313	S *	11/2001	Koinuma	D14/218
D487,064	S *	2/2004	Stekelenburg	D13/168
6,832,729	B1 *	12/2004	Perry et al.	235/472.01
7,630,014	B2 *	12/2009	Pardikes	348/371
7,965,335	B2 *	6/2011	Niblock	348/371

OTHER PUBLICATIONS

David A. Selby. Basic flash trigger from Phottix has rotating transmitter. Lighting Rumors. Oct. 5, 2012 [online], [retrieved on Jan. 25,

2013]. Retrieved from the Internet <URL: <http://www.lightingrumors.com/basic-flash-trigger-from-phottix-has-rotating-transmitter-2869>>.*

* cited by examiner

Primary Examiner — Philip S Hyder

Assistant Examiner — Darlington Ly

(74) *Attorney, Agent, or Firm* — RatnerPrestia

(57) **CLAIM**

The ornamental design for a flash trigger transmitter, as shown and described.

DESCRIPTION

FIG. 1 is a front view of a flash trigger transmitter wherein a connector of the flash trigger transmitter is shown in a straight configuration;

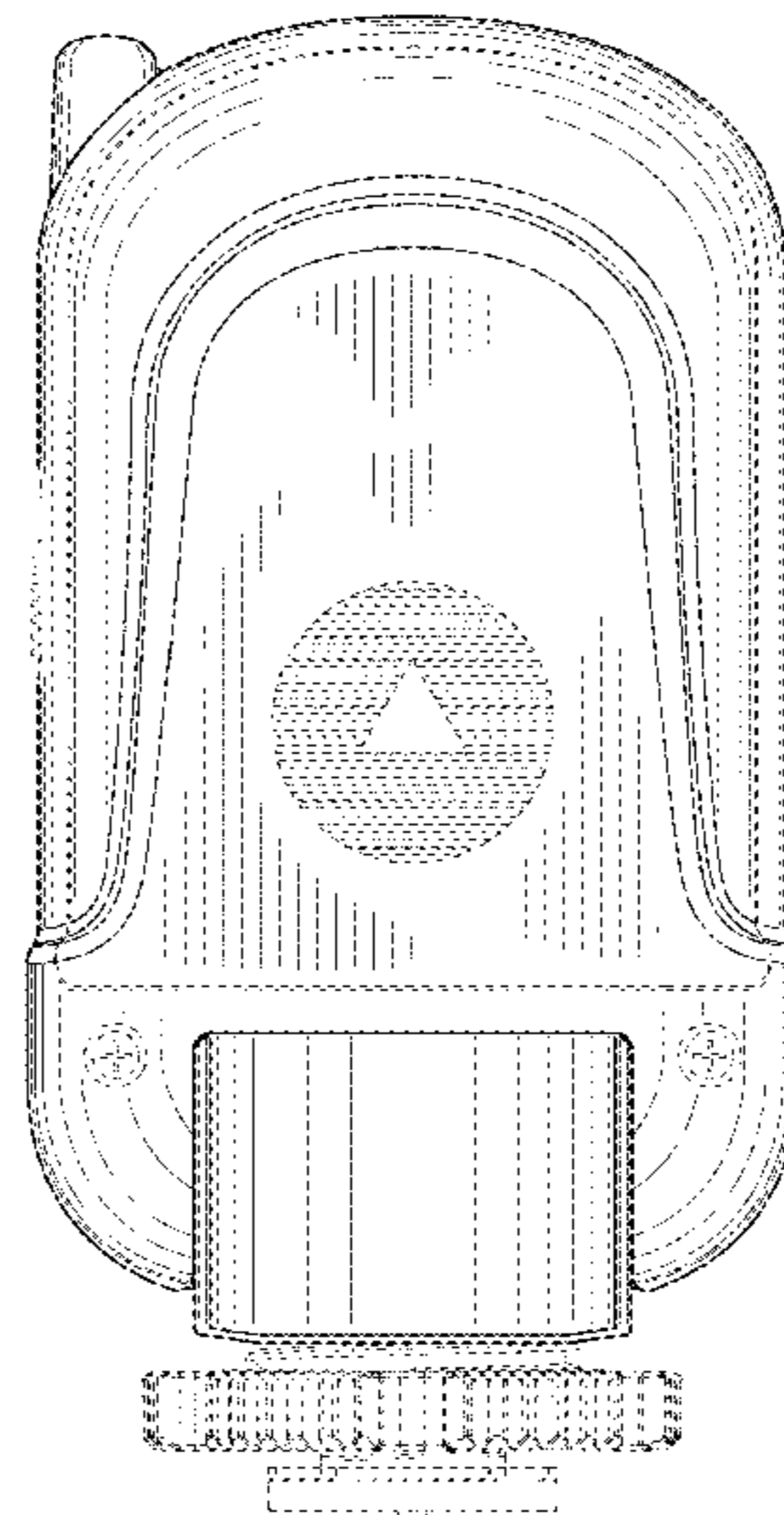
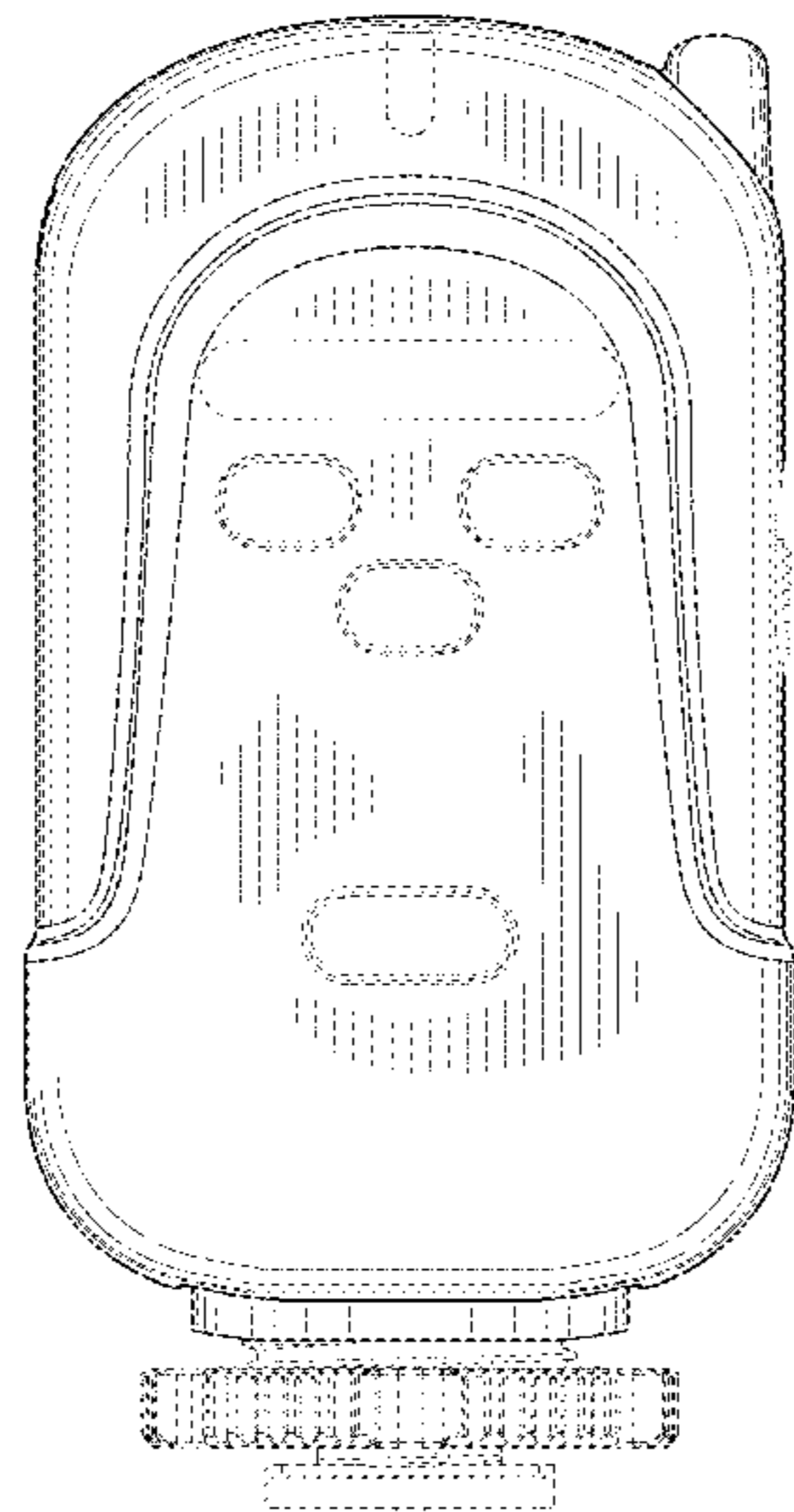
FIG. 2 is a rear view of the flash trigger transmitter of FIG. 1; FIG. 3 is a left view of the flash trigger transmitter of FIG. 1; FIG. 4 is a right view of the flash trigger transmitter of FIG. 1; FIG. 5 is a top view of the flash trigger transmitter of FIG. 1; FIG. 6 is a bottom view of the flash trigger transmitter of FIG. 1;

FIG. 7 is a front view of the flash trigger transmitter of FIG. 1 wherein the connector is shown in a pivoted configuration; FIG. 8 is a rear view of the flash trigger transmitter of FIG. 7; FIG. 9 is a left view of the flash trigger transmitter of FIG. 7; FIG. 10 is a right view of the flash trigger transmitter of FIG. 7;

FIG. 11 is a top view of the flash trigger transmitter of FIG. 7; and, FIG. 12 is a bottom view of the flash trigger transmitter of FIG. 7.

The broken line showing of the flash trigger transmitter forms no part of the claimed design.

1 Claim, 6 Drawing Sheets



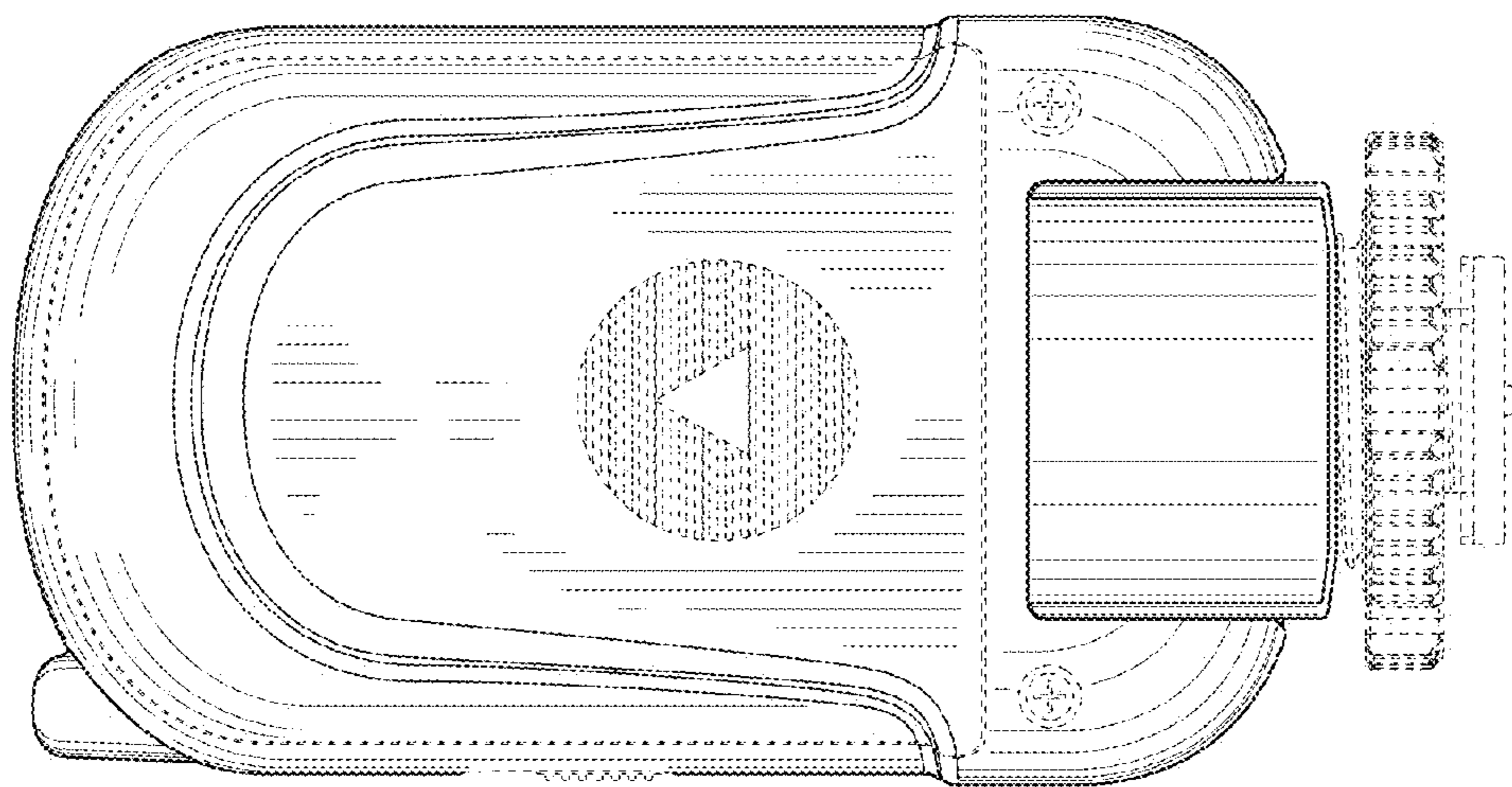


FIG. 1

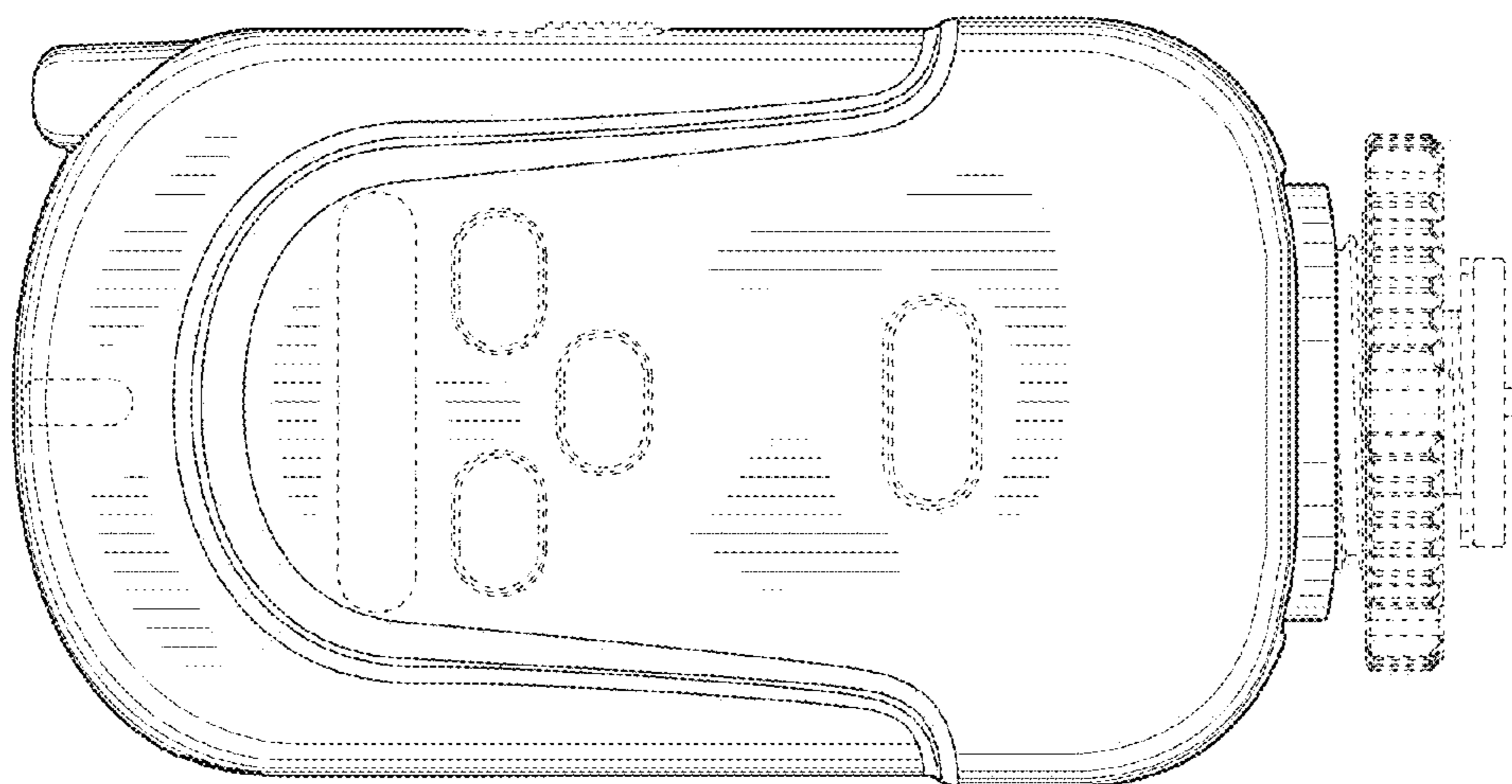


FIG. 2

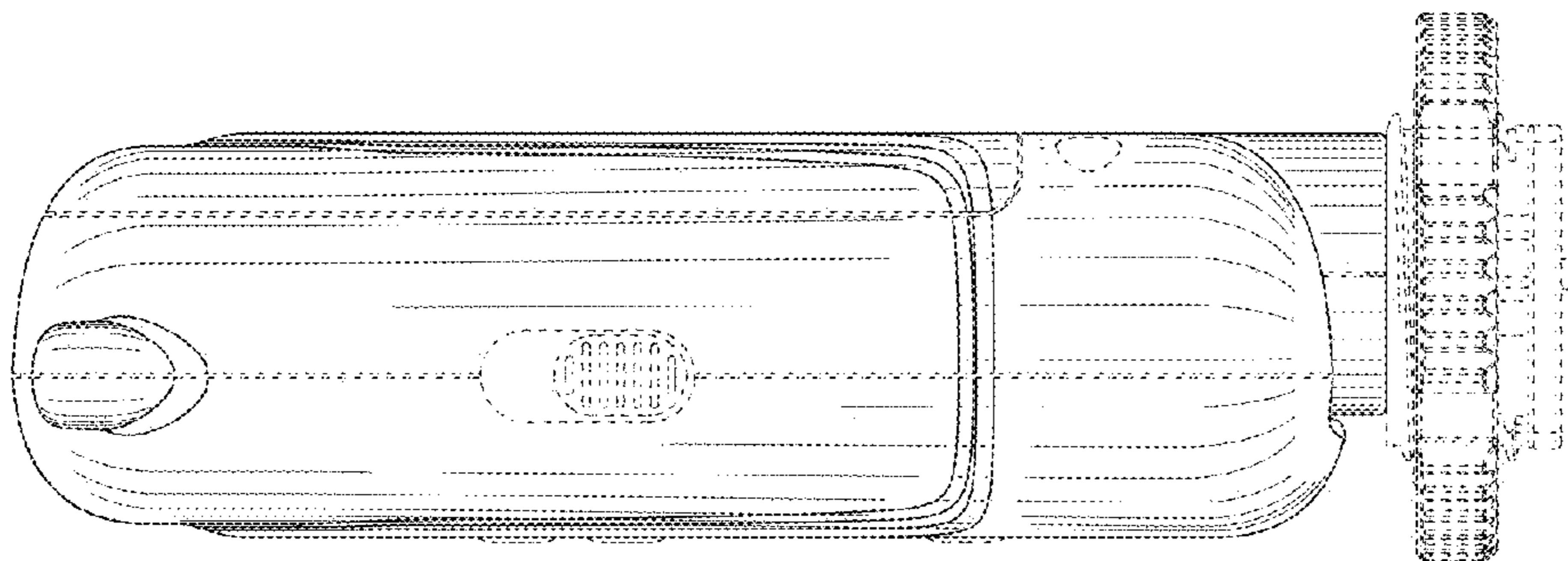


FIG. 4

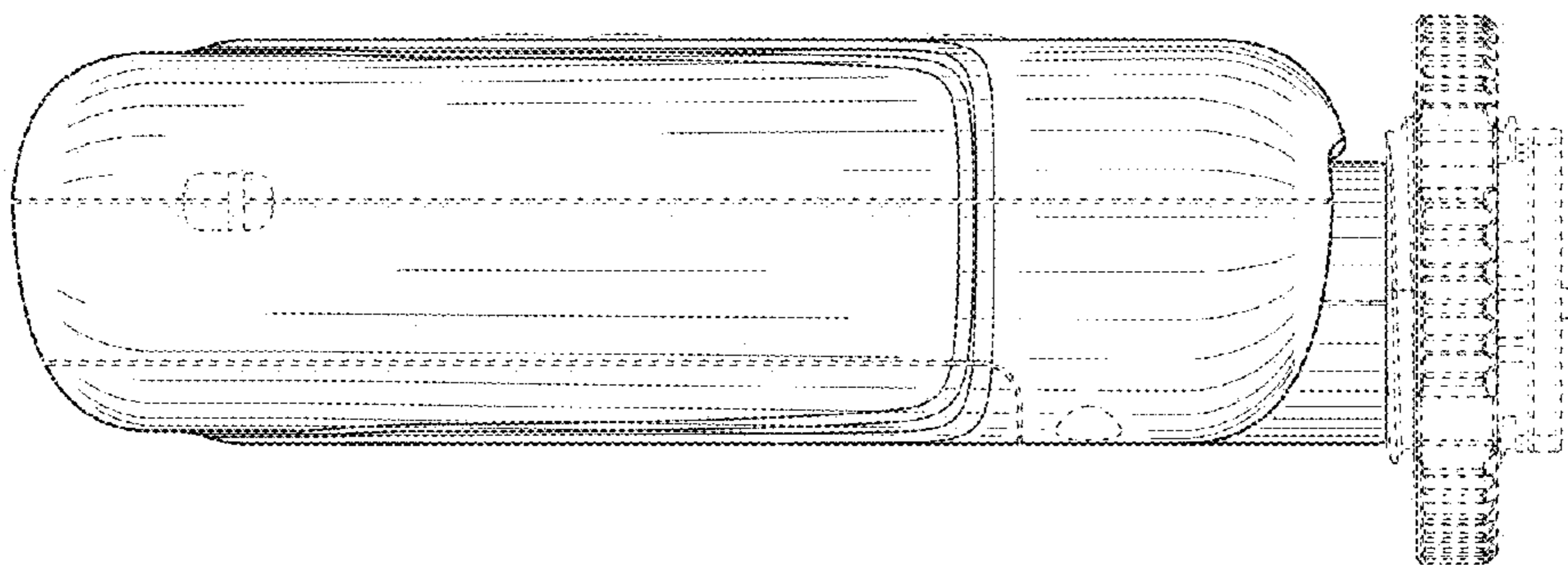


FIG. 3

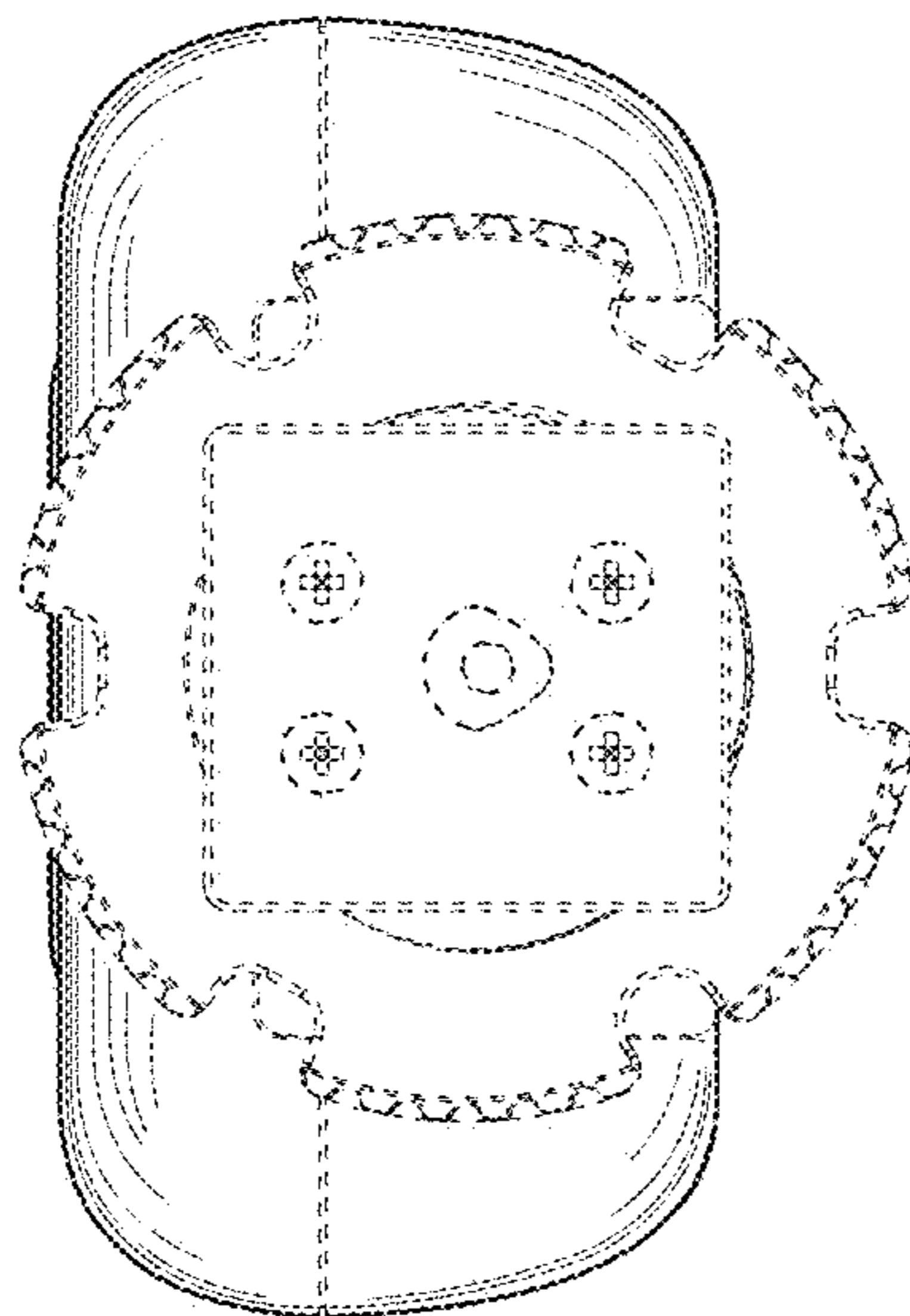


FIG. 5

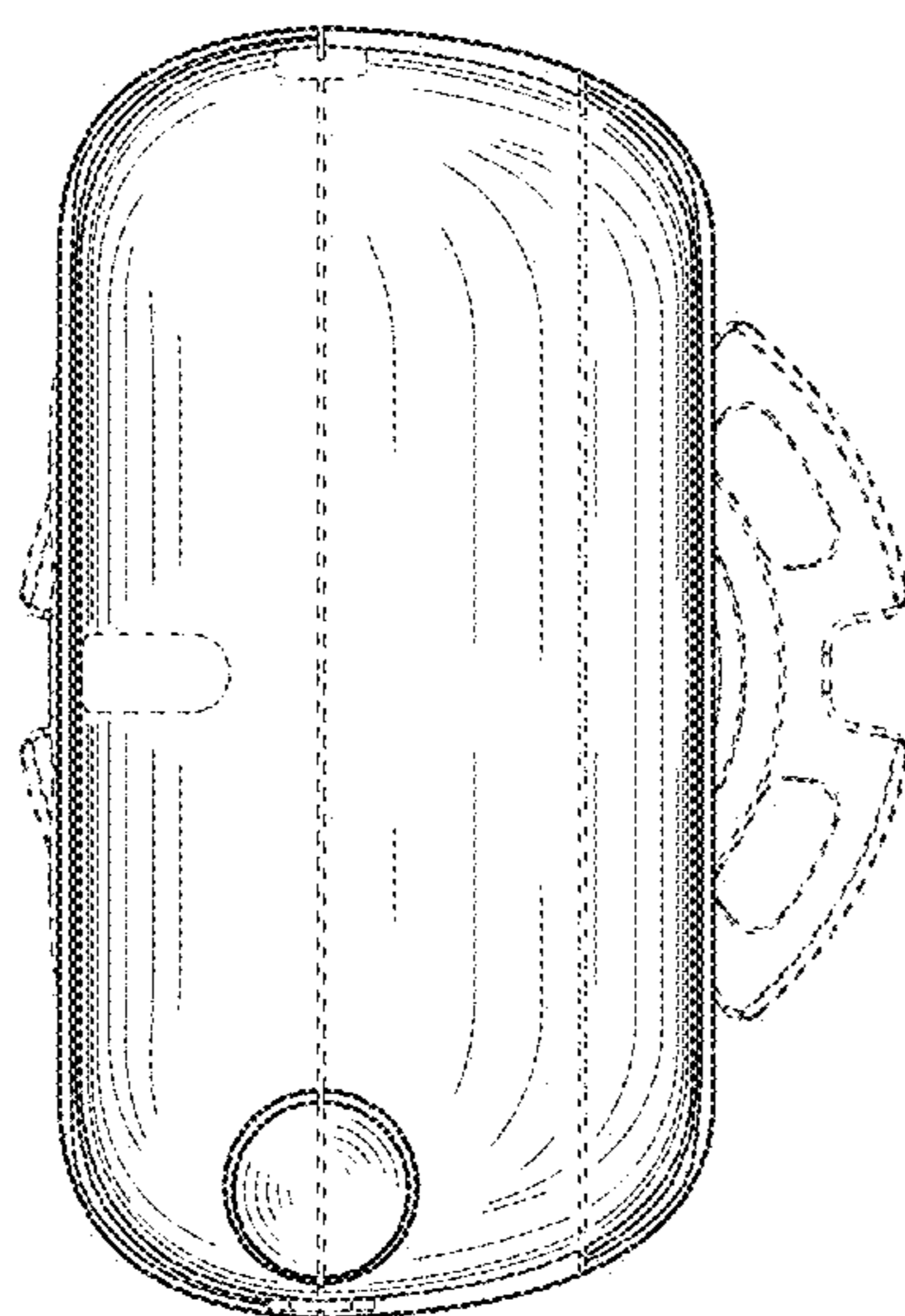


FIG. 6

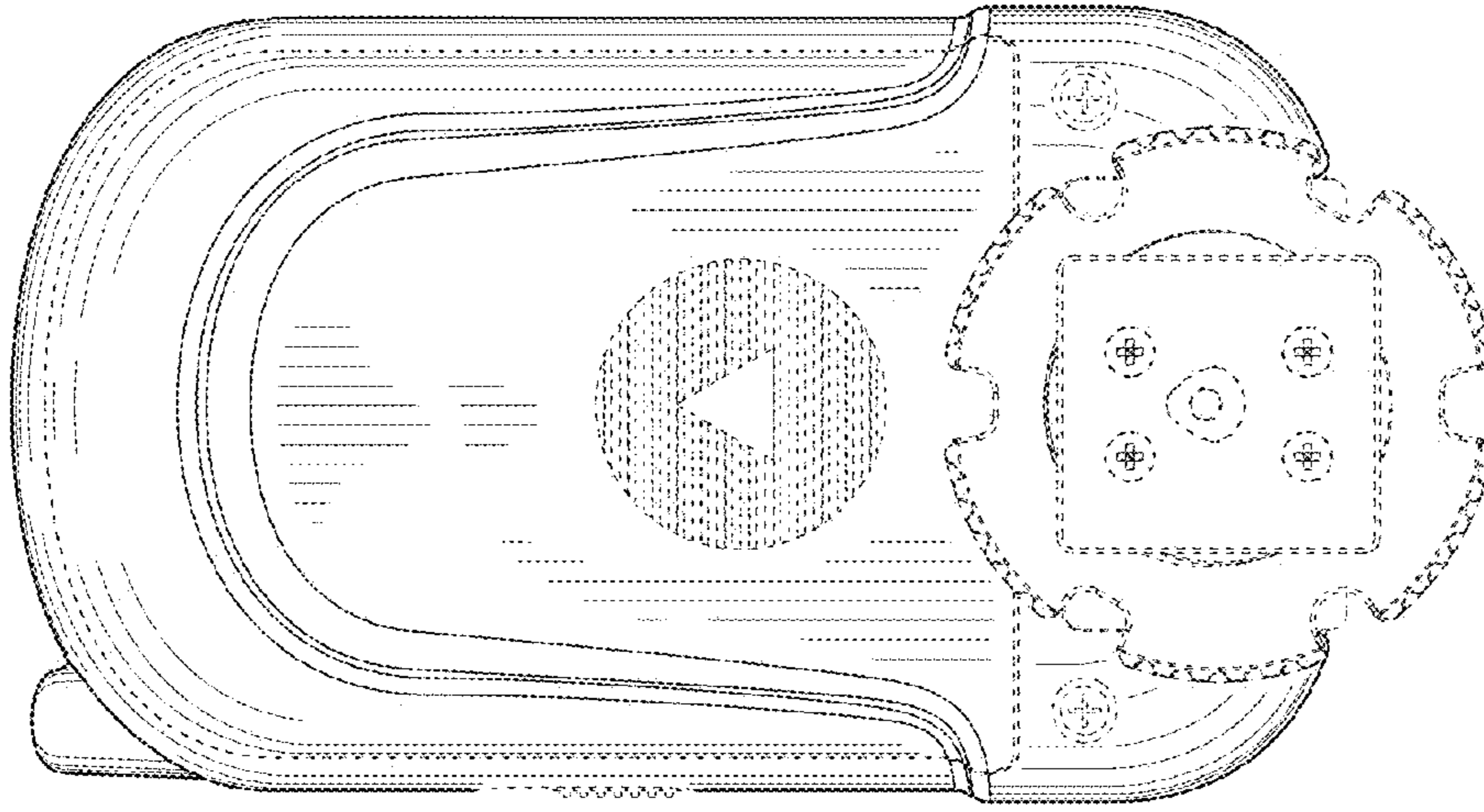


FIG. 7

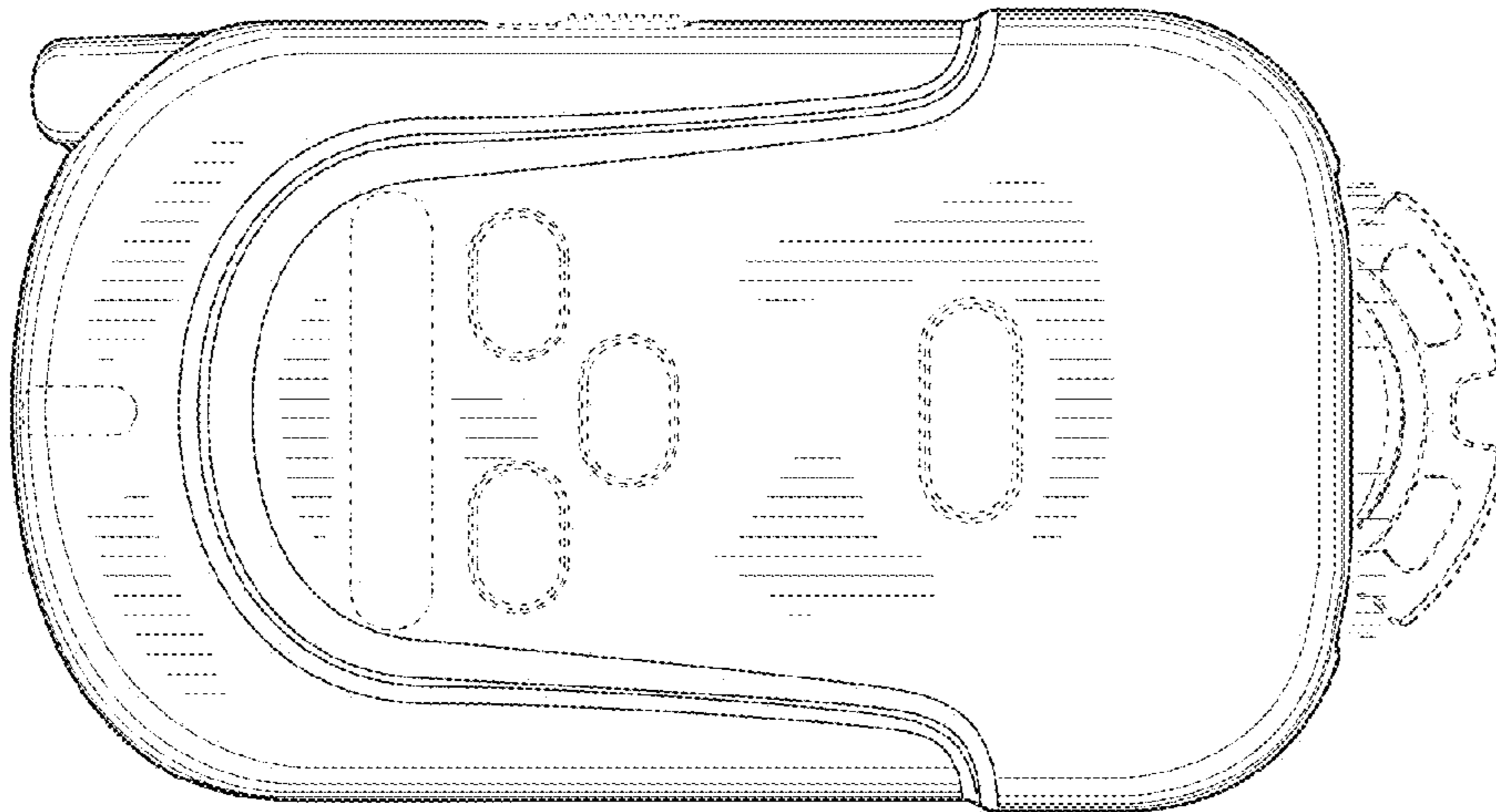


FIG. 8

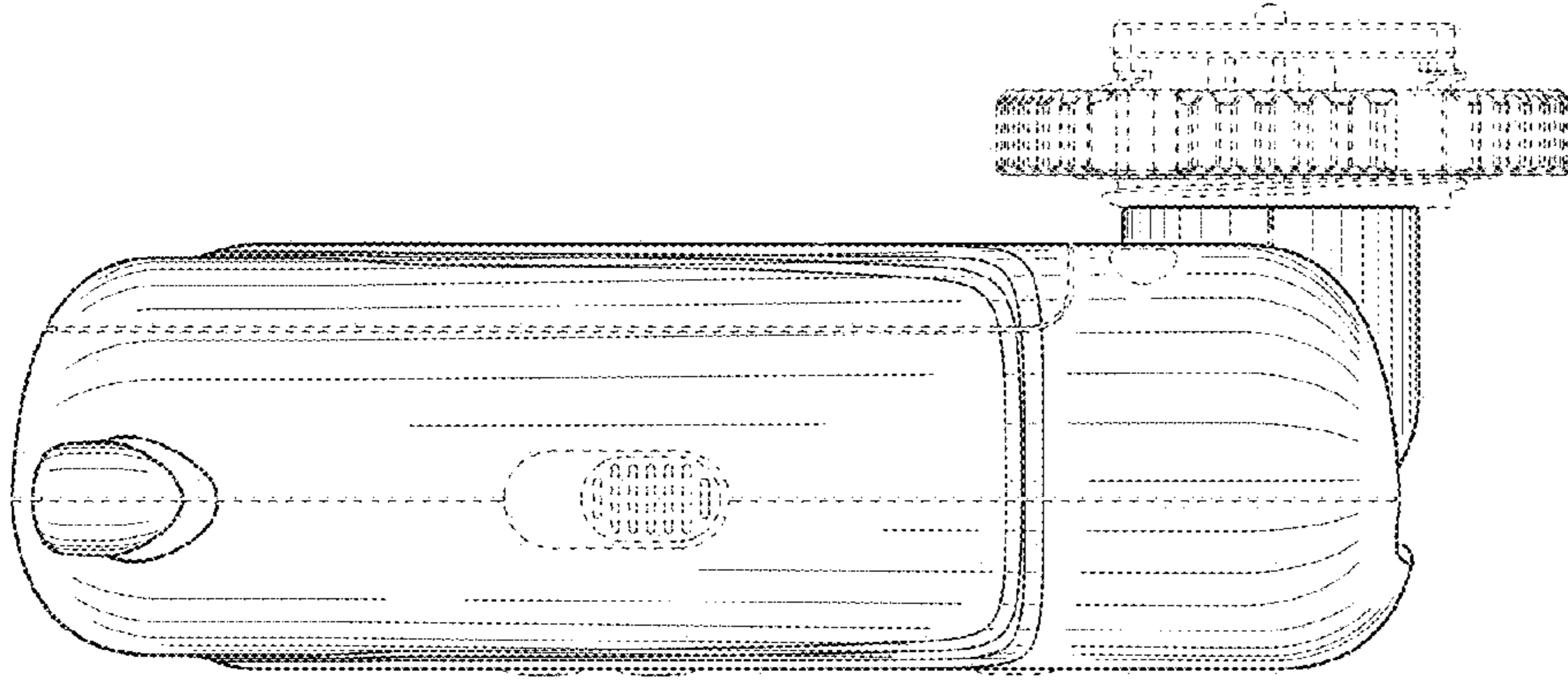


FIG. 10

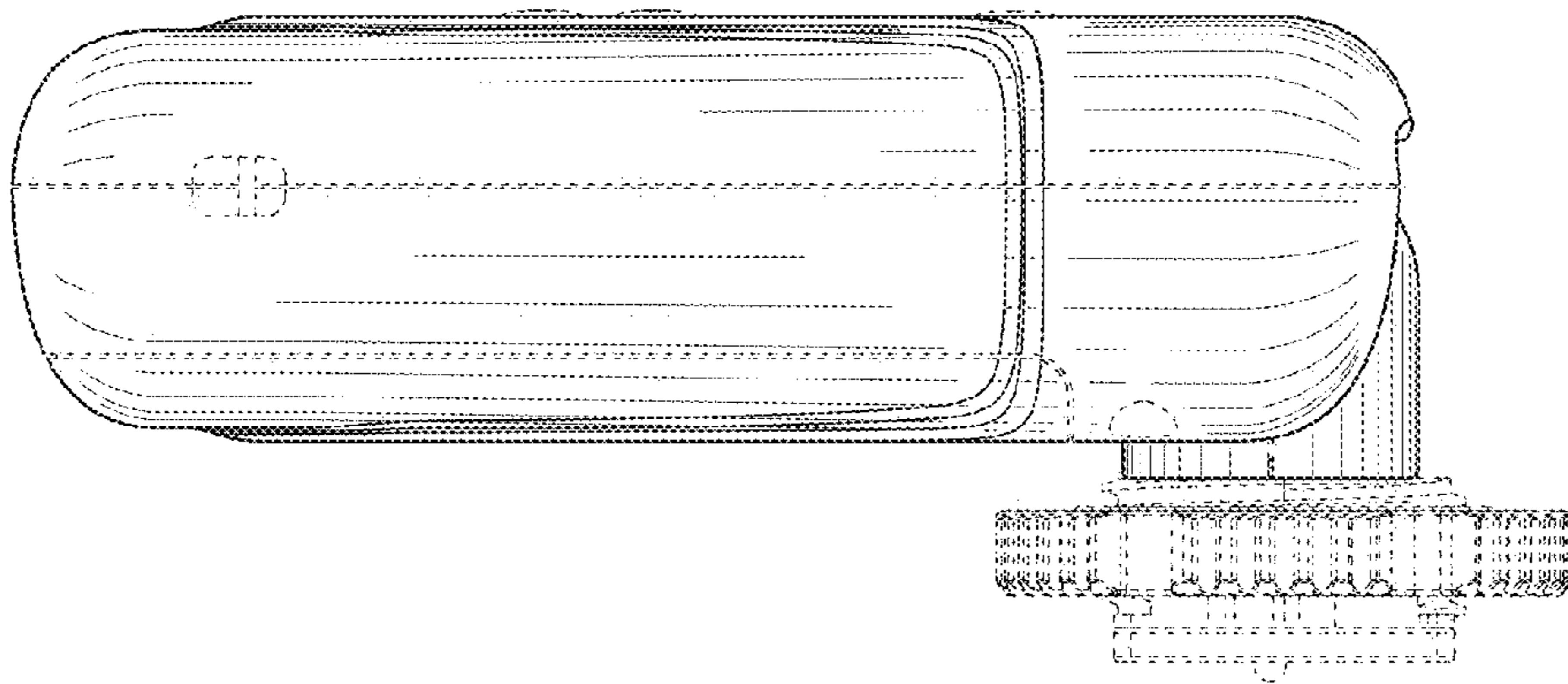


FIG. 9

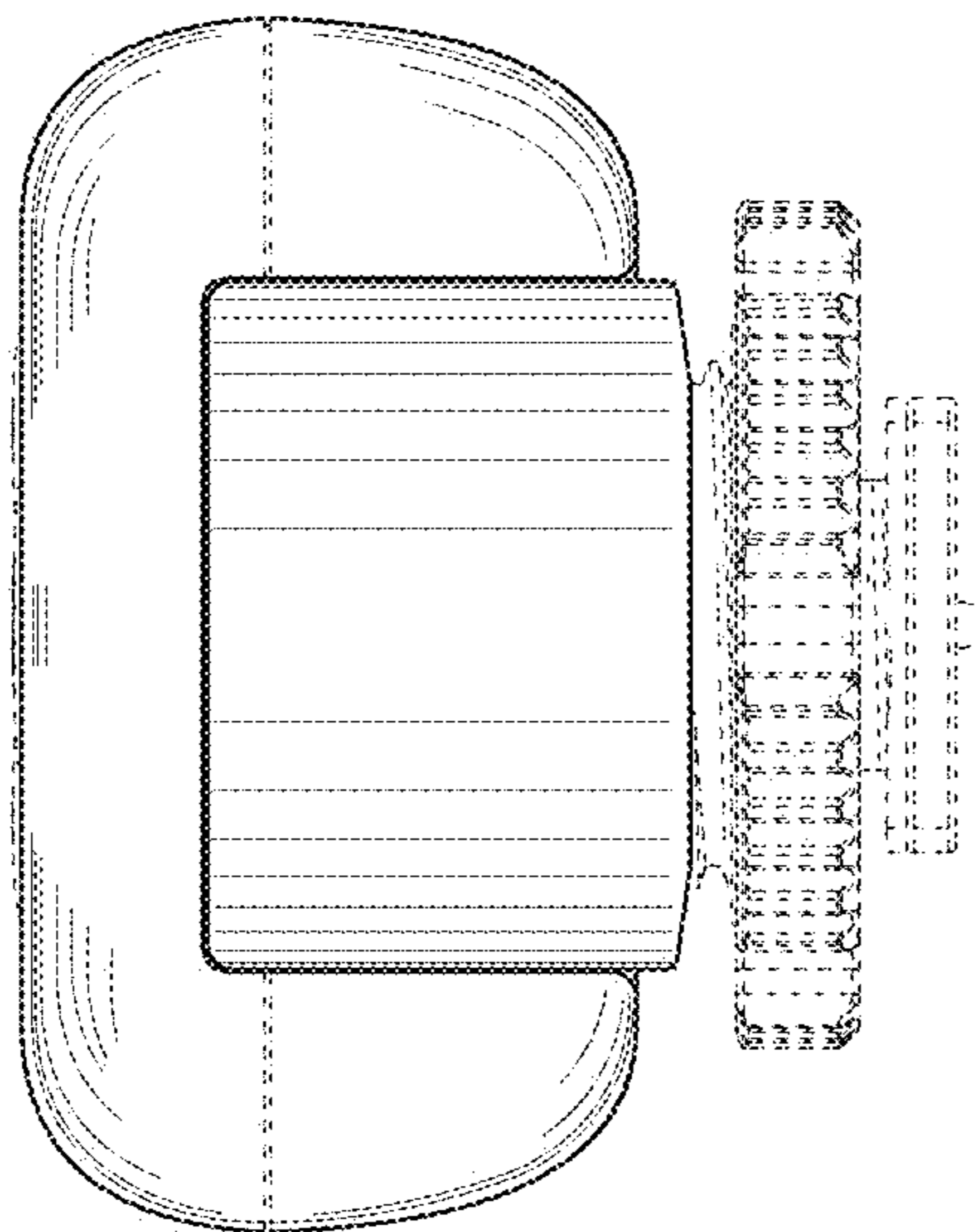


FIG. 11

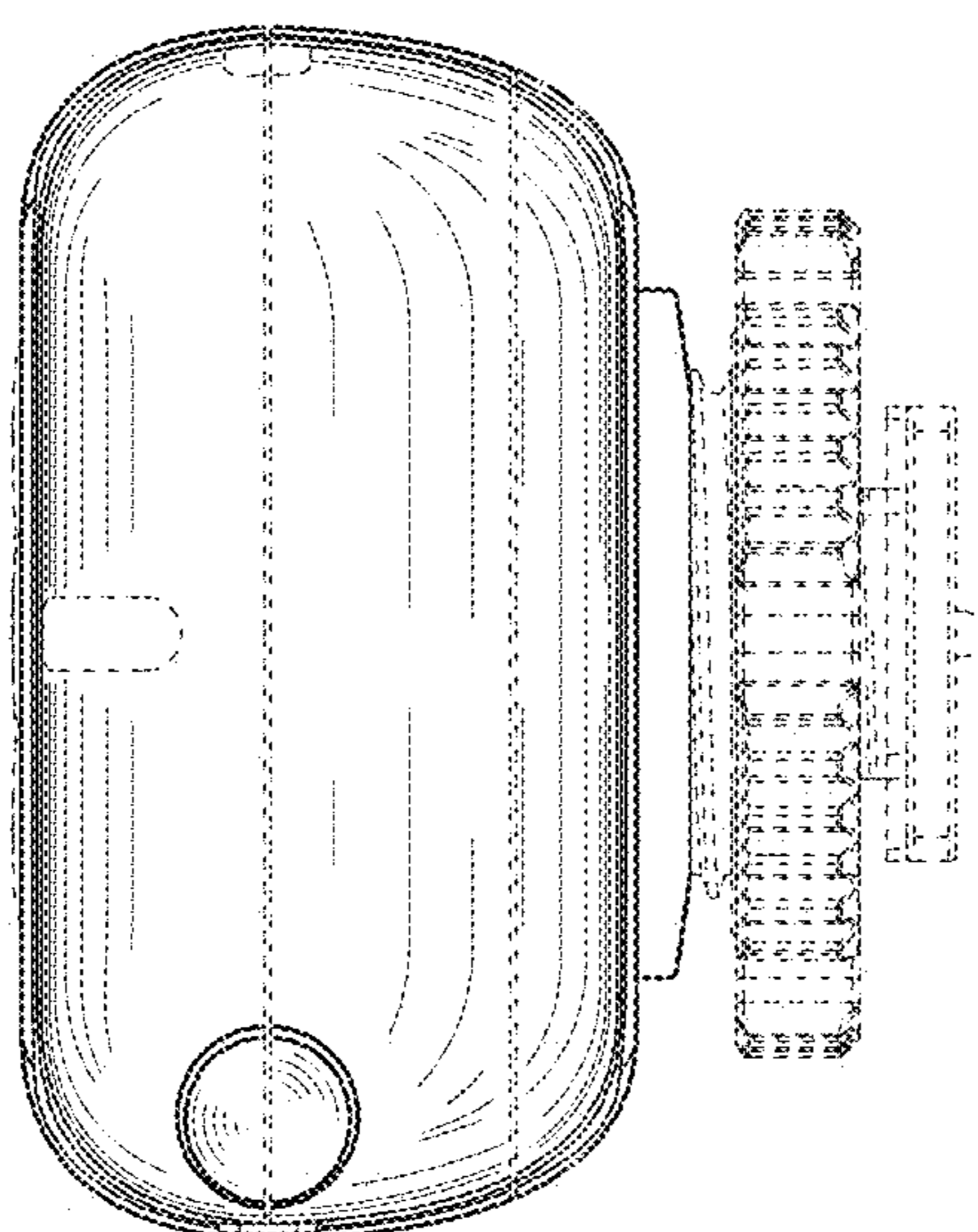


FIG. 12