



US00D688292S

(12) **United States Design Patent**
Koyama et al.

(10) **Patent No.:** **US D688,292 S**

(45) **Date of Patent:** **** Aug. 20, 2013**

(54) **LENS MOUNT**

(75) Inventors: **Takashi Koyama**, Tokyo (JP);
Nobuharu Murashima, Tokyo (JP);
Yoshiharu Tanaka, Tokyo (JP)

(73) Assignee: **Sony Corporation**, Tokyo (JP)

(**) Term: **14 Years**

(21) Appl. No.: **29/371,220**

(22) Filed: **Nov. 30, 2010**

Related U.S. Application Data

(63) Continuation-in-part of application No. 29/371,047,
filed on Sep. 30, 2010, now Pat. No. Des. 670,751.

(51) **LOC (9) Cl.** **16-05**

(52) **U.S. Cl.**
USPC **D16/219**

(58) **Field of Classification Search**
USPC D16/200, 202, 204, 208, 212, 218,
D16/219, 134; 348/373, 374, 375, 376;
358/909.1; 396/349, 448, 535, 536, 537,
396/538, 539, 540, 541
See application file for complete search history.

(56) **References Cited**

U.S. PATENT DOCUMENTS

D339,599 S *	9/1993	Tiffen	D16/219
5,754,350 A *	5/1998	Sato	359/818
D452,861 S	1/2002	Ogasawara		
6,369,960 B2 *	4/2002	Azegami	359/819
D466,499 S	12/2002	Nakano		
D493,456 S	7/2004	Ogasawara		
D501,660 S	2/2005	Kumano		
D510,737 S	10/2005	Yokota		
D529,065 S *	9/2006	Watanabe	D16/219
D559,247 S	1/2008	Kawase		
D559,884 S *	1/2008	Tokiwa	D16/219

(Continued)

FOREIGN PATENT DOCUMENTS

JP	63-057637 U	4/1988
JP	D897533 S	4/1994
JP	09-211645 A	8/1997
JP	D1368179 S	8/2009

Primary Examiner — Cynthia Underwood

(74) *Attorney, Agent, or Firm* — Rader, Fishman & Grauer PLLC

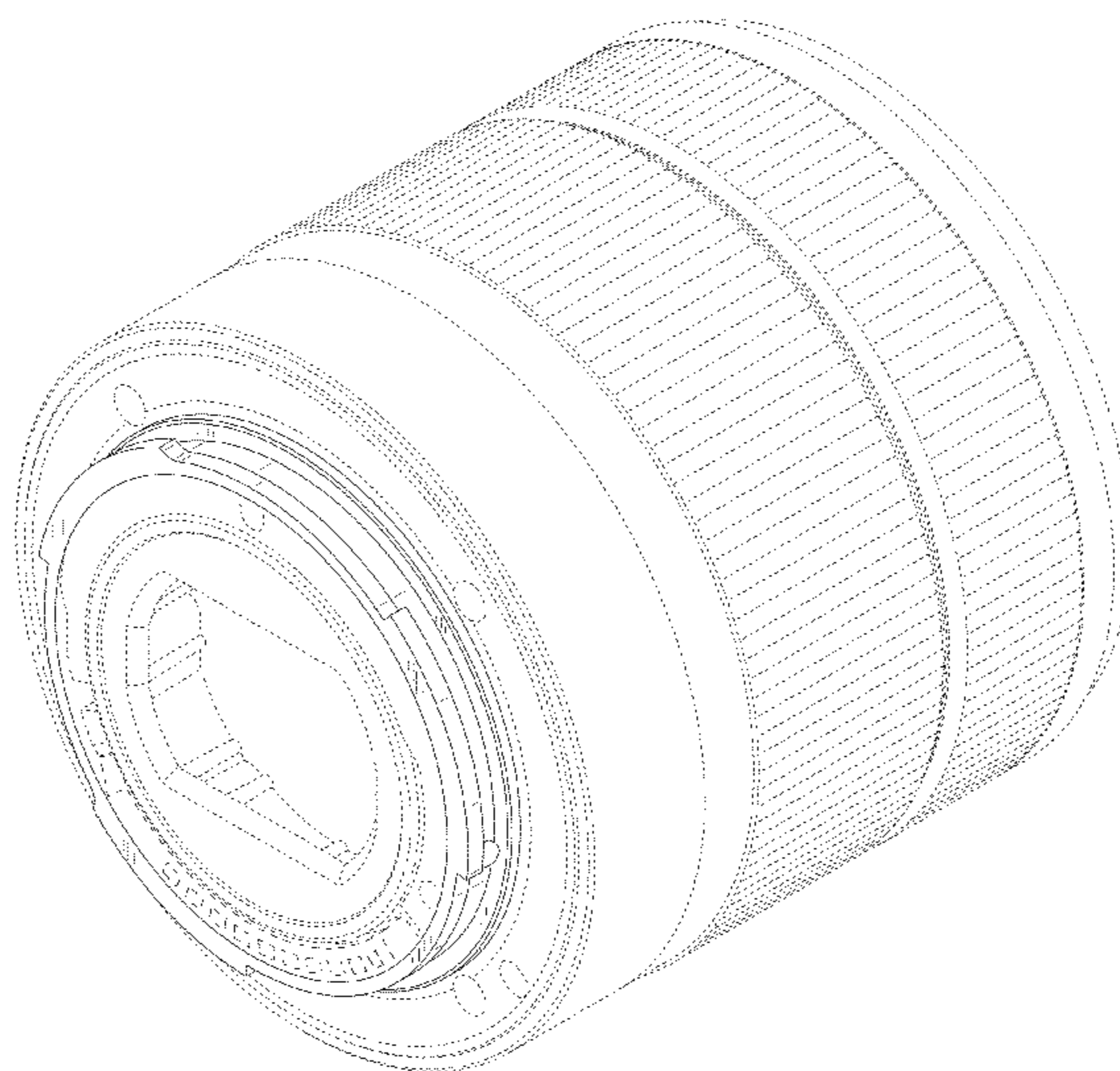
(57) **CLAIM**

The ornamental design for a lens mount, as shown and described.

DESCRIPTION

FIG. 1 is a rear, top, left perspective view of a first embodiment of a lens mount showing our new design;
 FIG. 2 is a rear elevational view thereof;
 FIG. 3 is a left side elevational view thereof;
 FIG. 4 is a right side elevational view thereof;
 FIG. 5 is a top plan view thereof; and
 FIG. 6 is a bottom plan view thereof.
 FIG. 7 is a front, top, right perspective view of a second embodiment of a lens mount showing our new design;
 FIG. 8 is a front elevational view thereof;
 FIG. 9 is a left side elevational view thereof;
 FIG. 10 is a right side elevational view thereof;
 FIG. 11 is a top plan view thereof; and
 FIG. 12 is a bottom plan view thereof.
 FIG. 13 is a rear elevational view of a third embodiment of a lens mount showing our new design;
 FIG. 14 is a right side elevational view thereof;
 FIG. 15 is a left side elevational view thereof;
 FIG. 16 is a top plan view thereof; and
 FIG. 17 is a bottom plan view thereof.
 Portions in broken lines are for illustrative purposes only and form no part of claimed design. Dot-dash broken lines define the boundaries of but not included in, the claimed design.

1 Claim, 15 Drawing Sheets



US D688,292 S

Page 2

(56)

References Cited

U.S. PATENT DOCUMENTS

D585,900 S 2/2009 Kumano

D633,934 S * 3/2011 Funakoshi D16/219

D644,679 S * 9/2011 Woodman D16/219

D648,363 S * 11/2011 Takagi et al. D16/219

D650,821 S * 12/2011 Verhey D16/219

* cited by examiner

FIG. 1

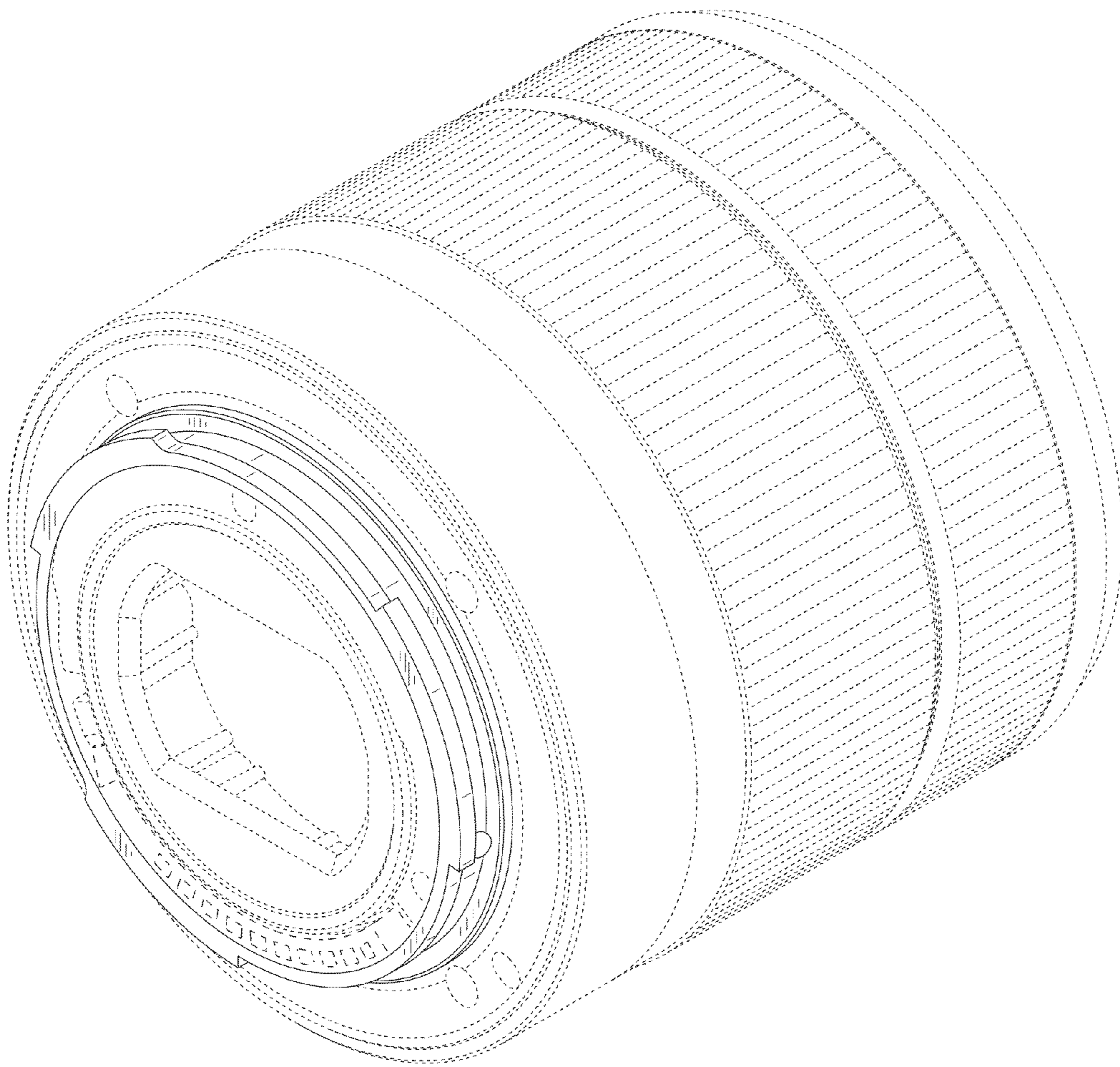


FIG.2

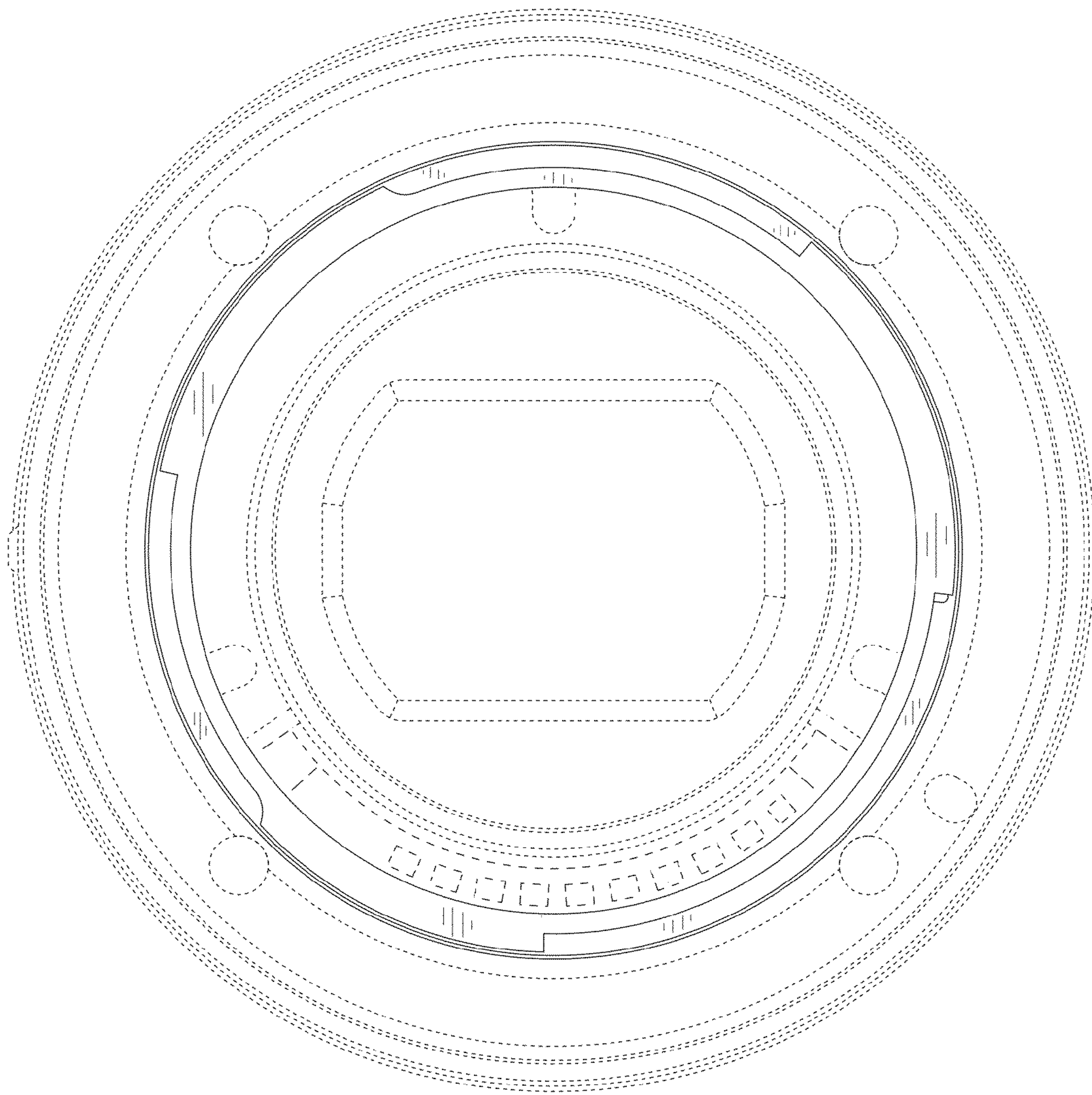


FIG.3

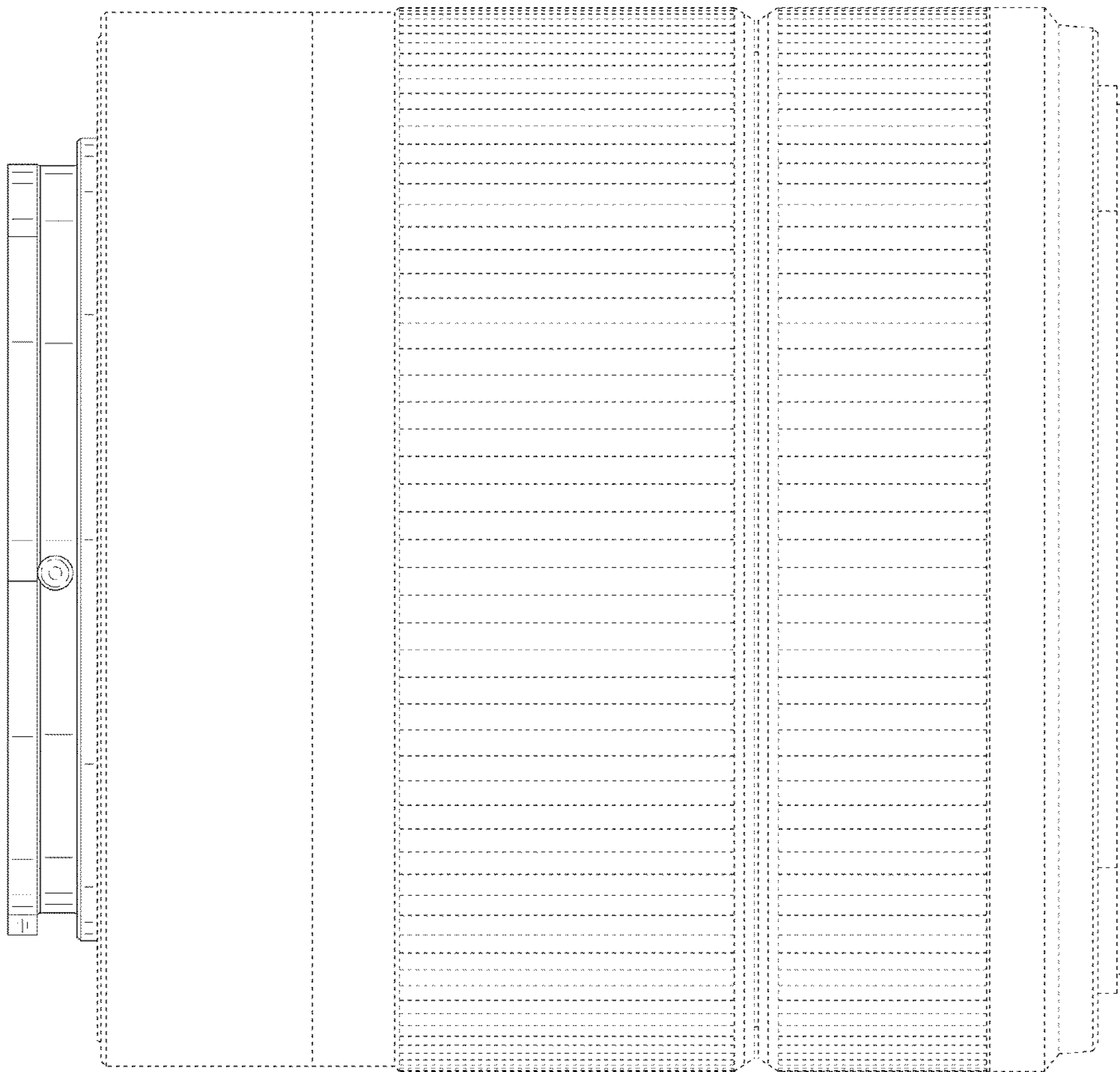


FIG.4

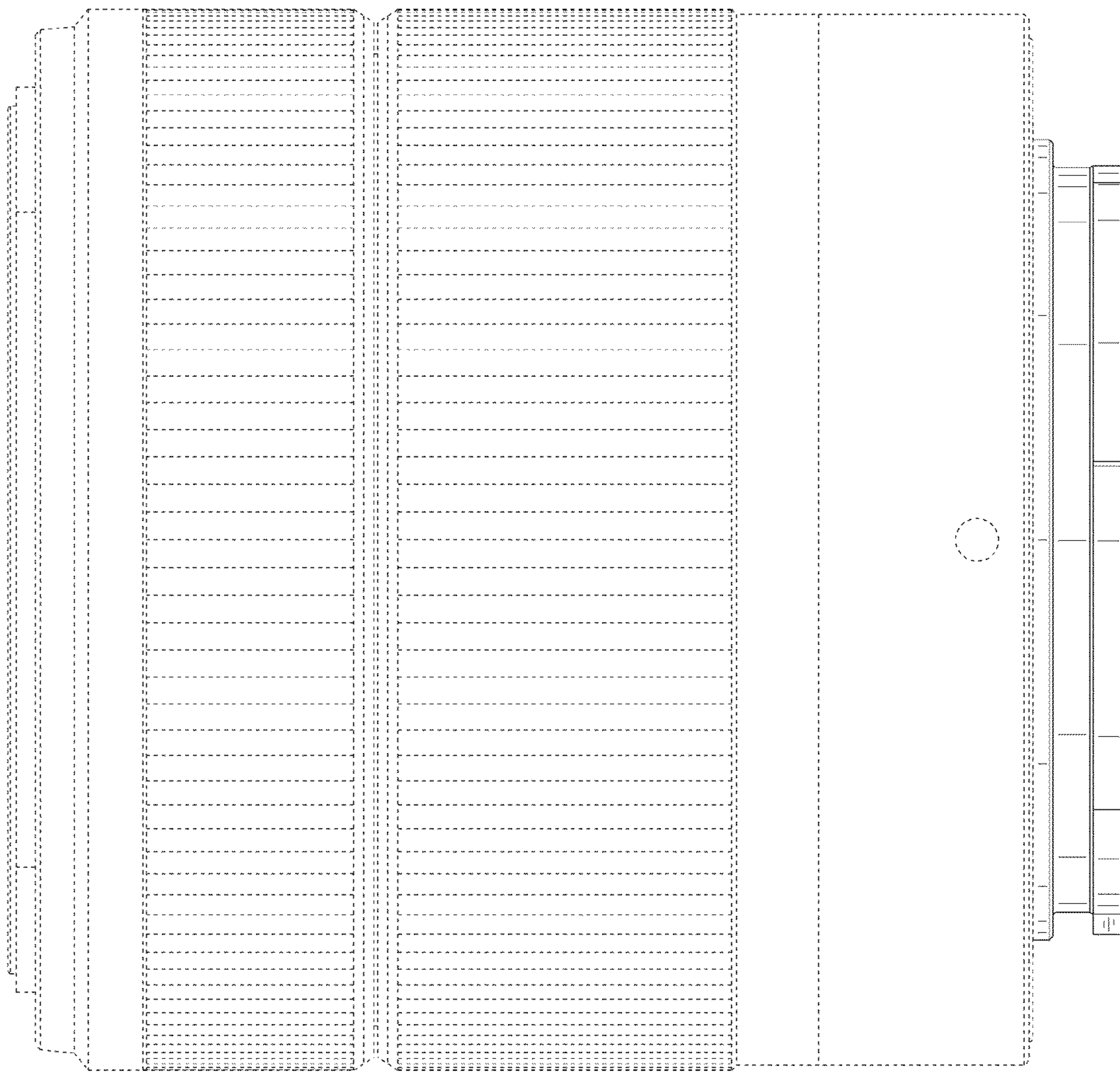


FIG.5

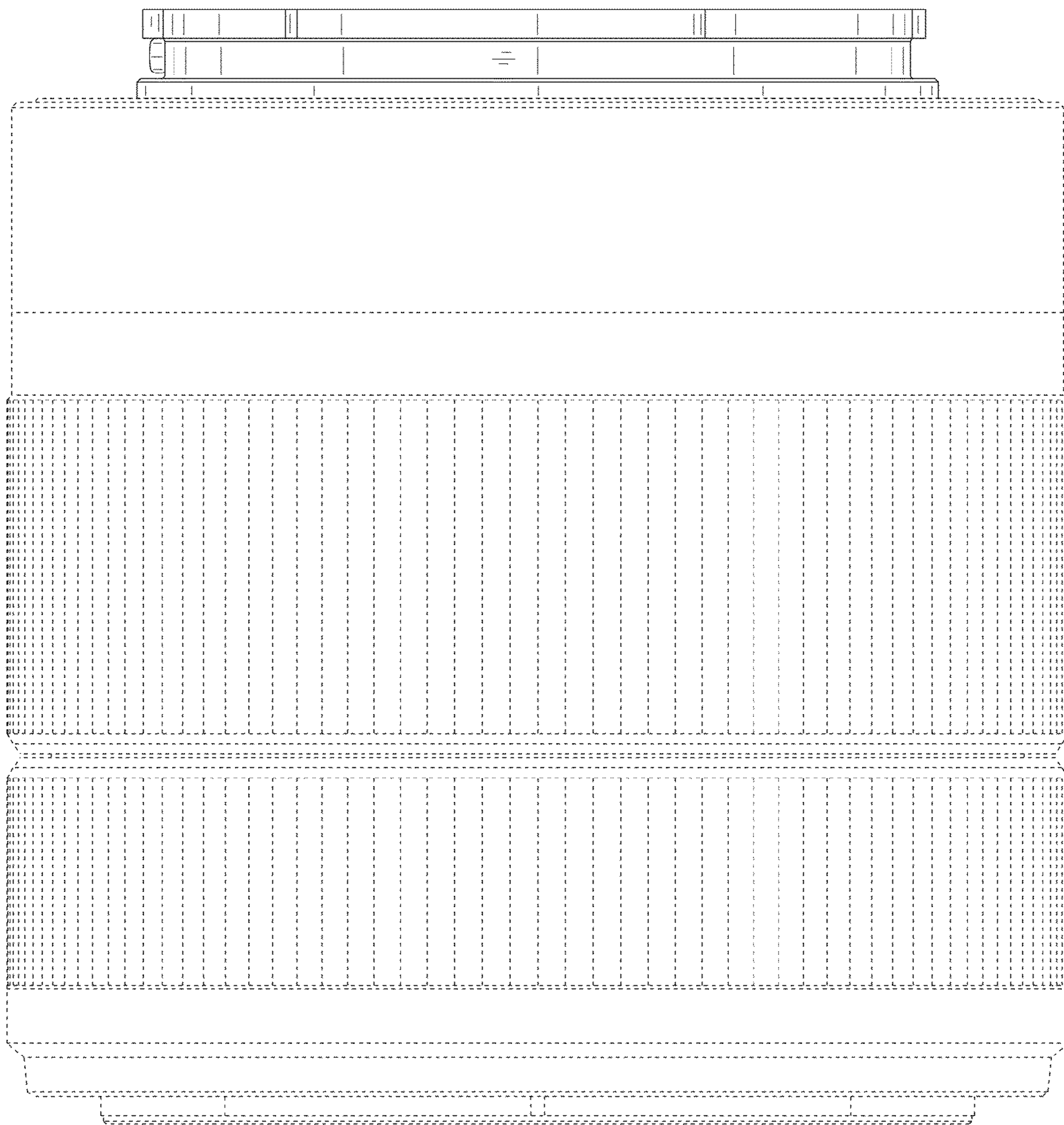


FIG.6

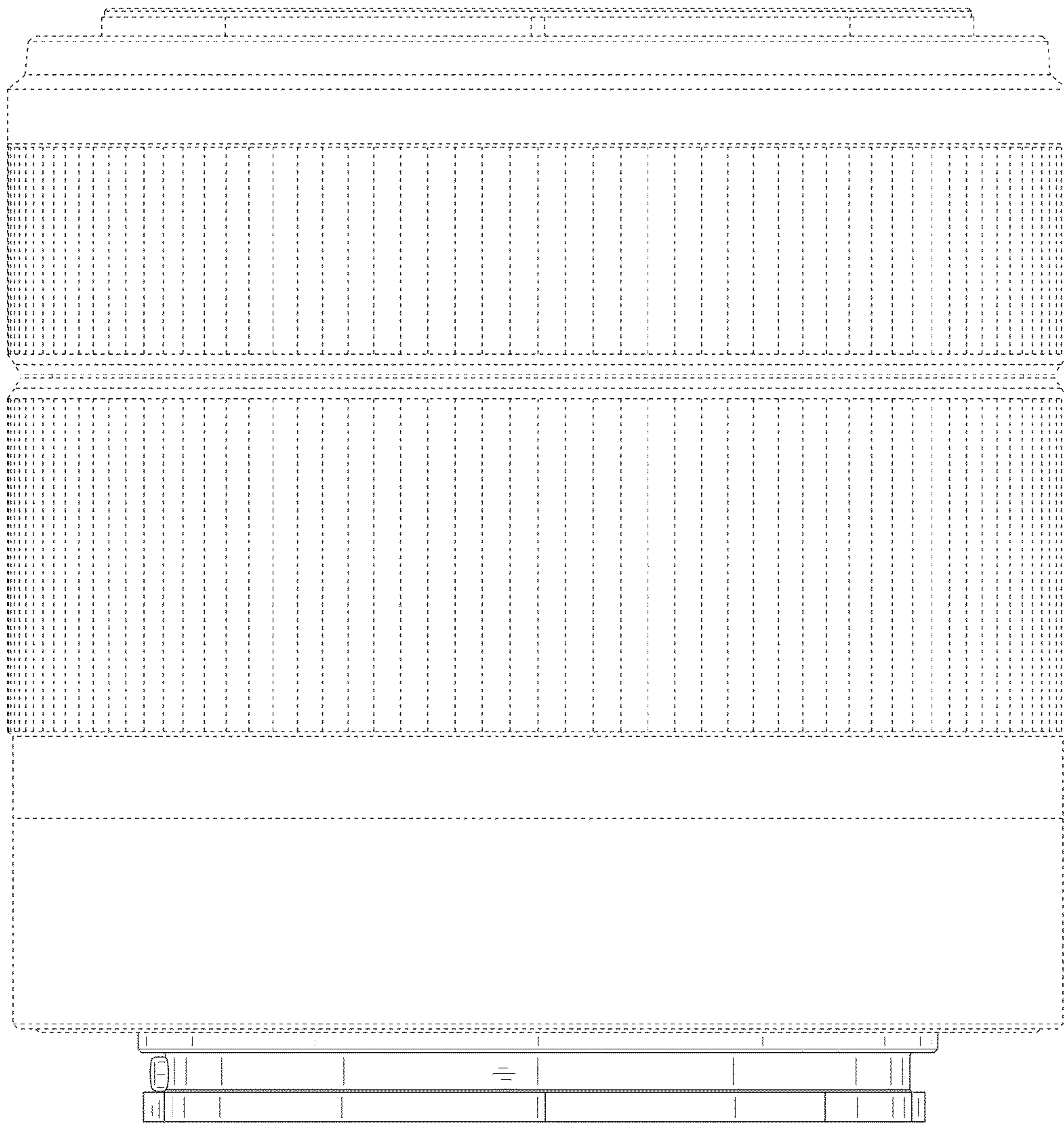


FIG.7

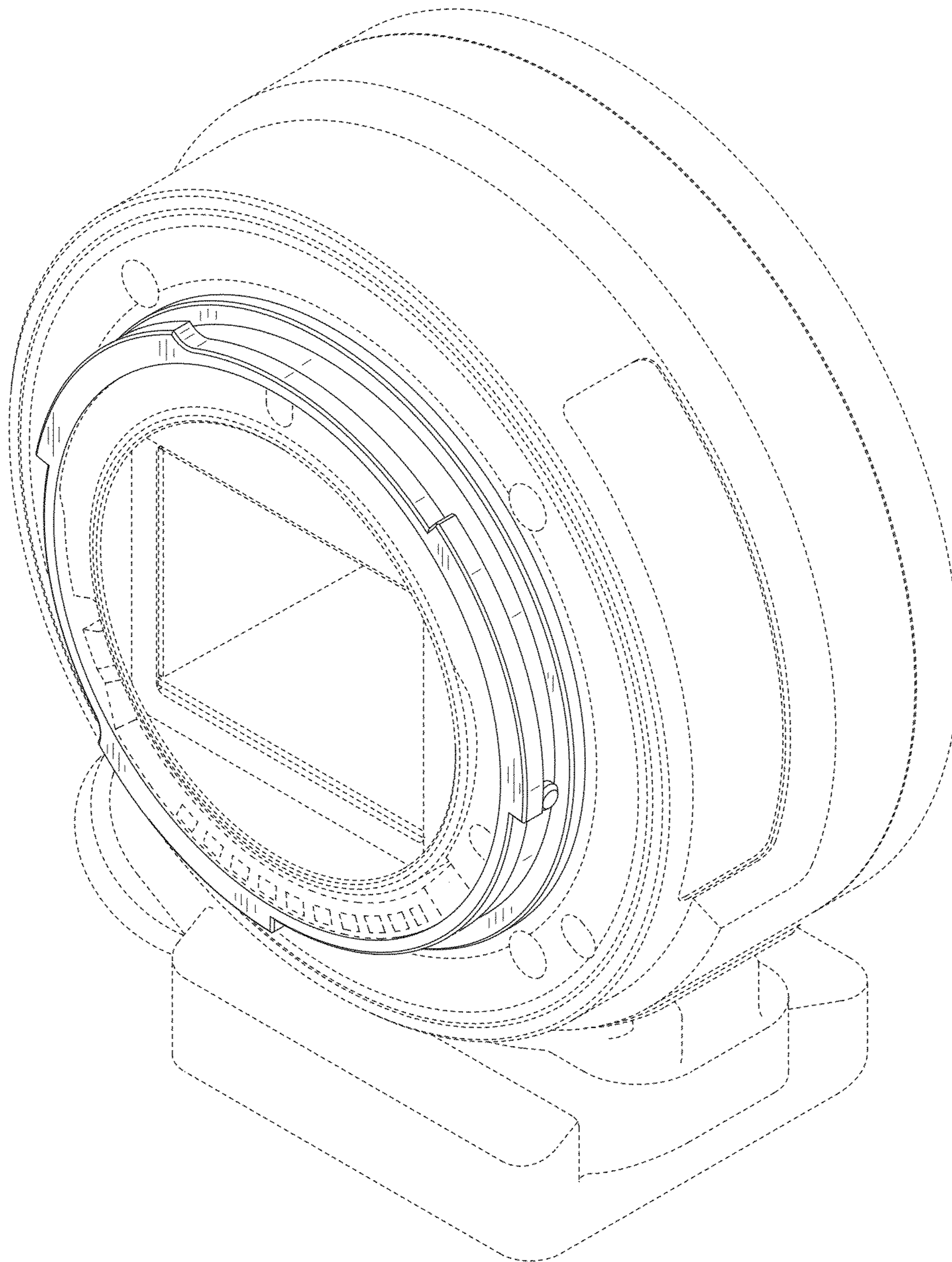


FIG.8

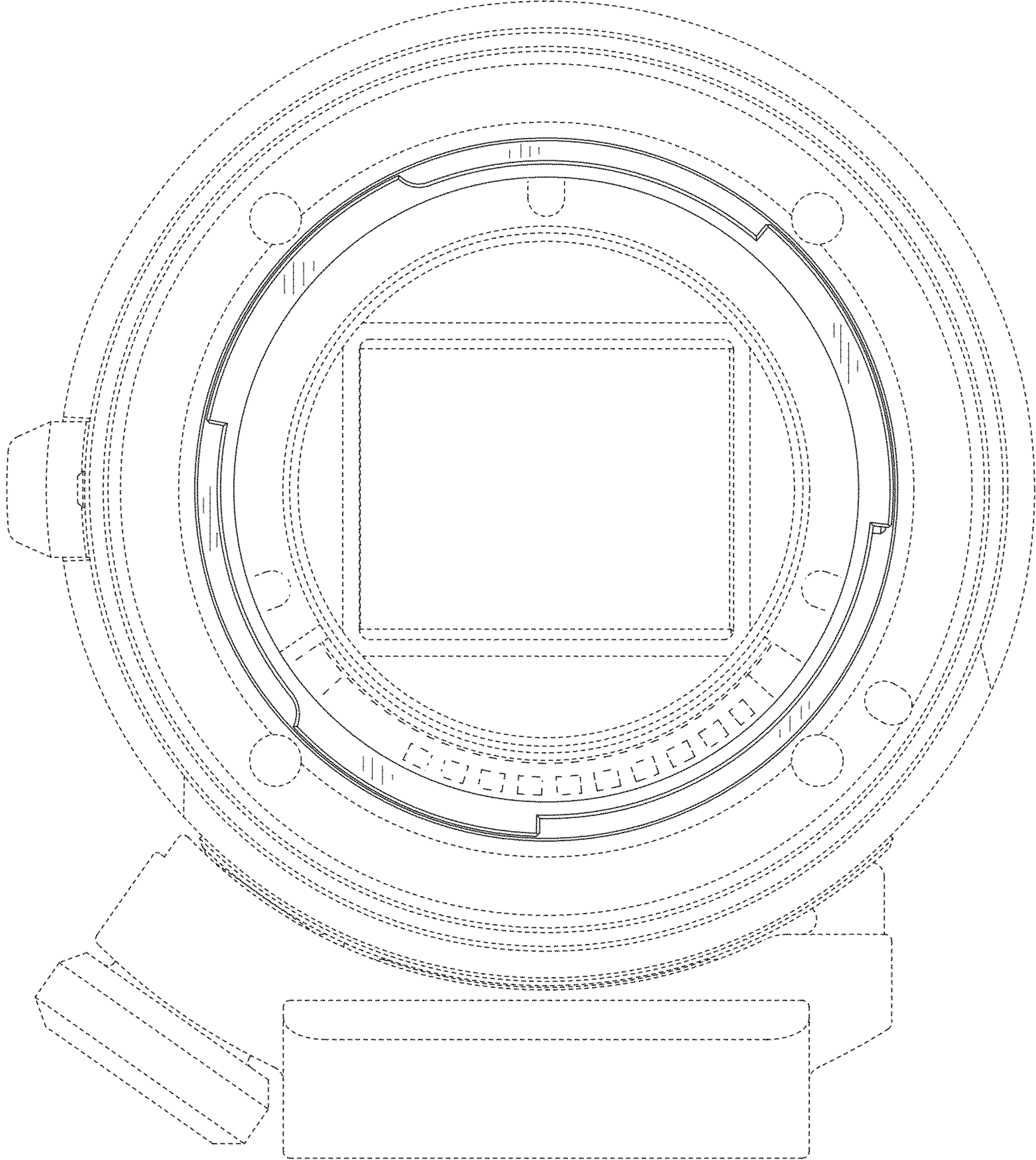


FIG.9

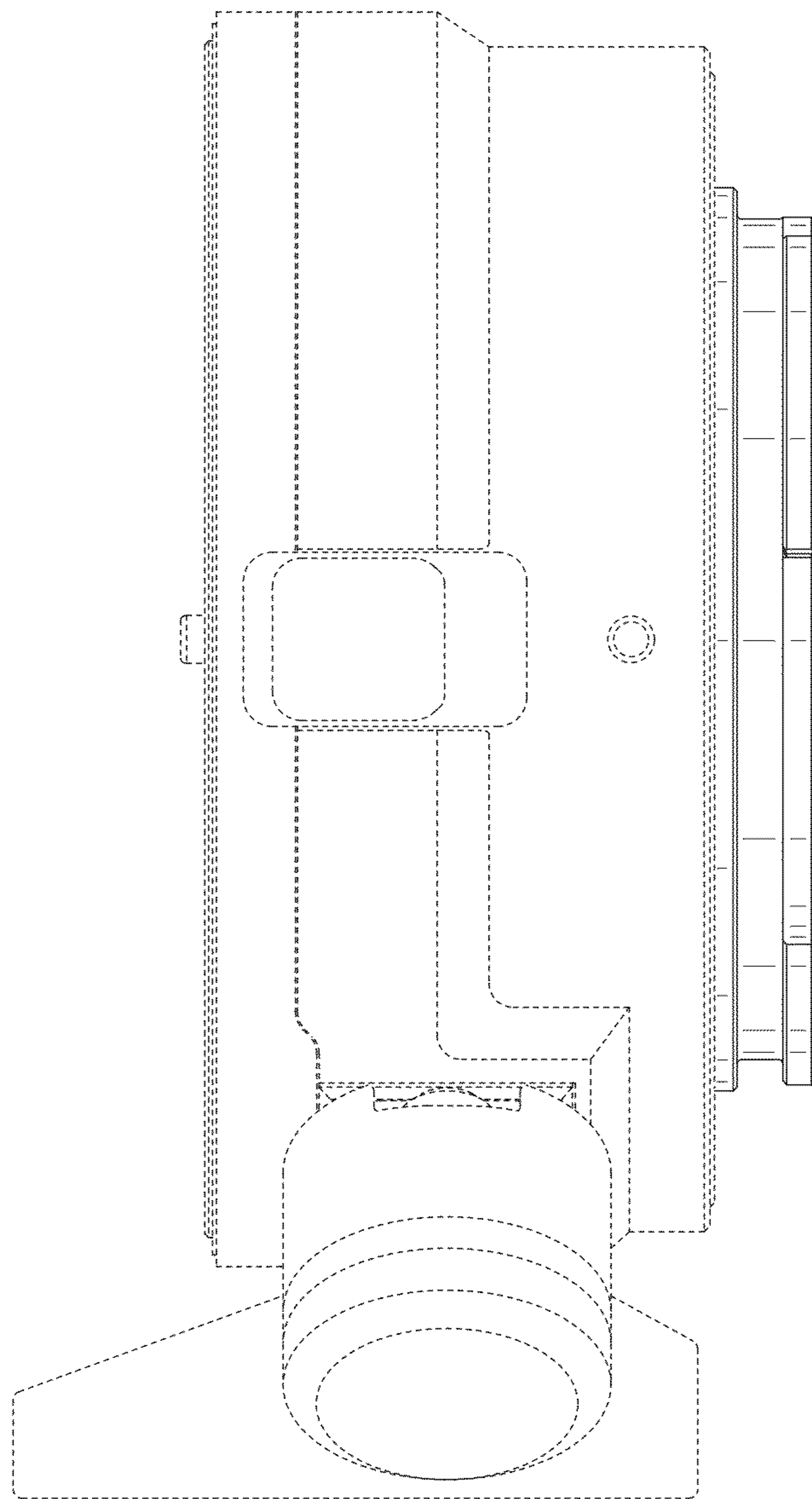


FIG.10

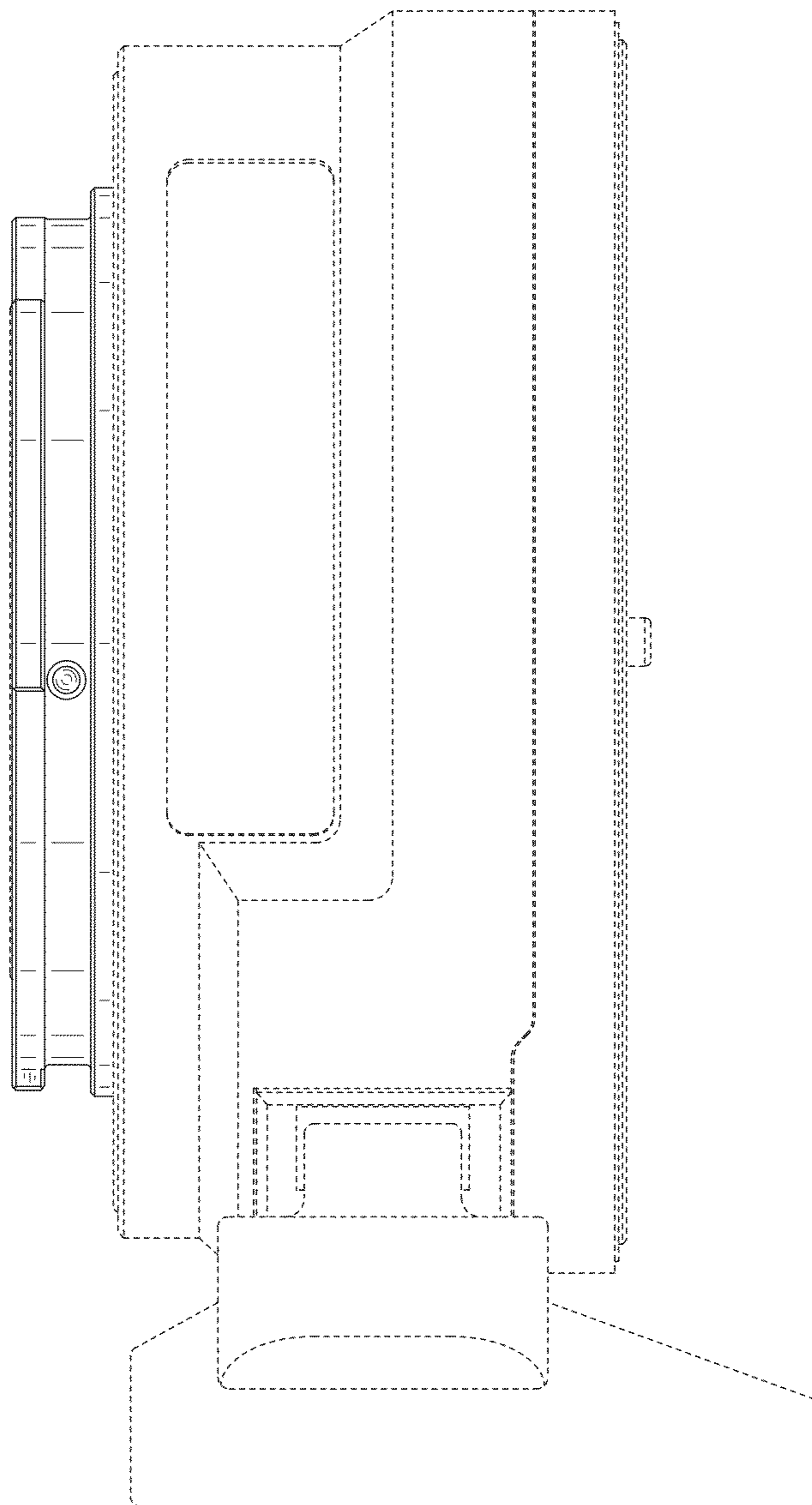


FIG.11

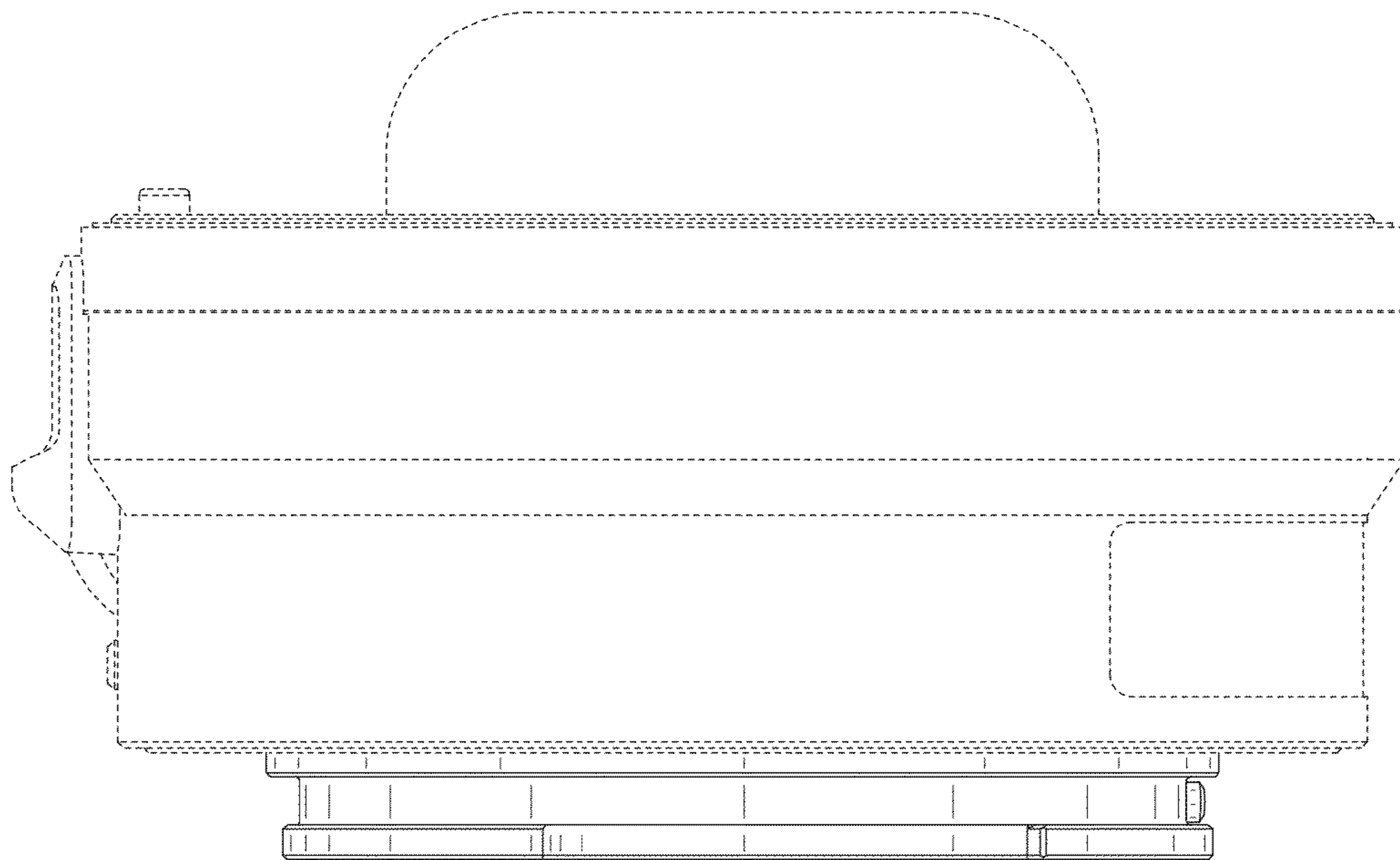


FIG.12

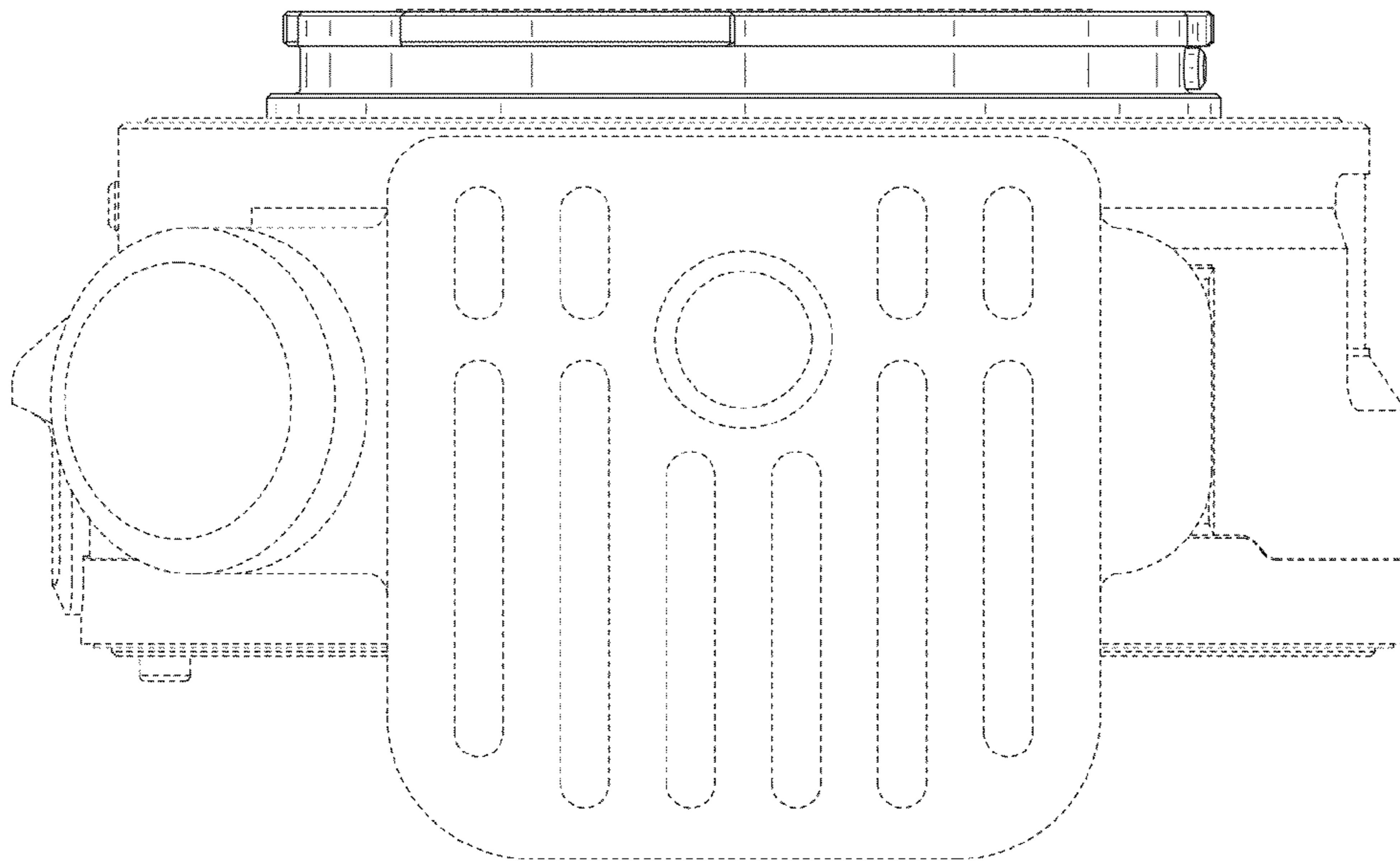


FIG.13

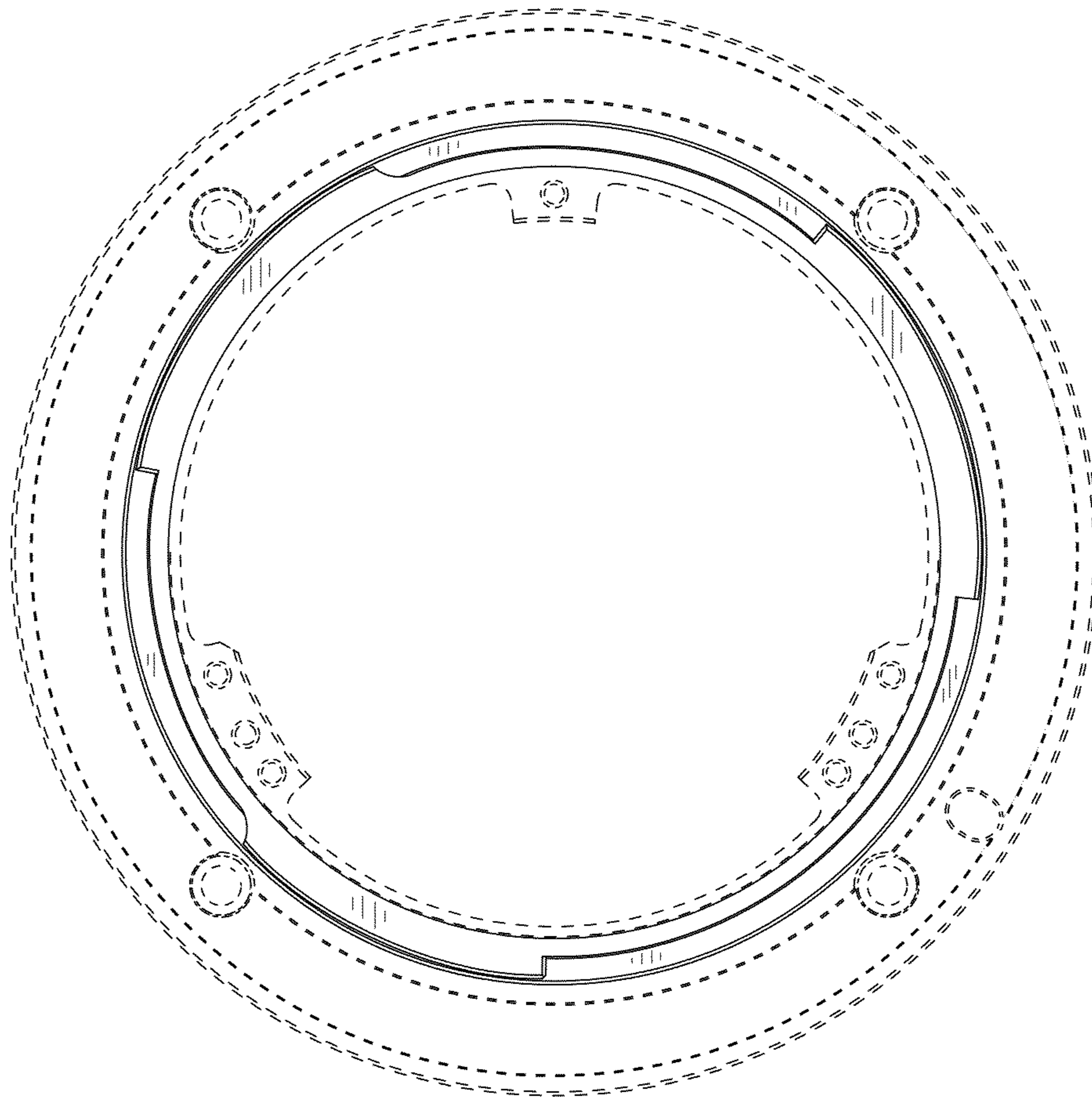


FIG.14

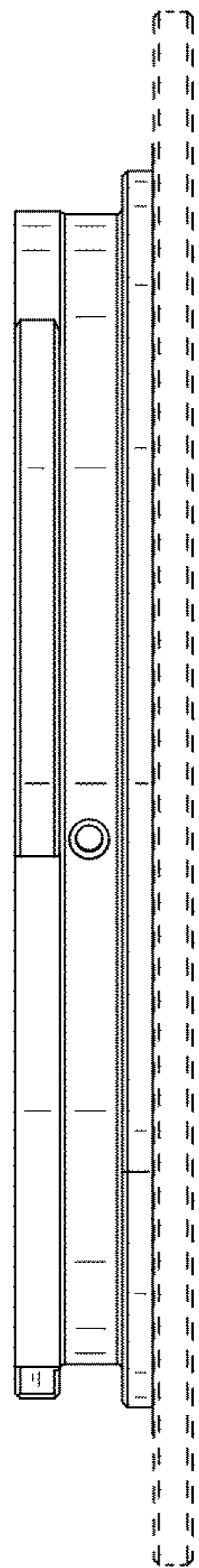


FIG.15

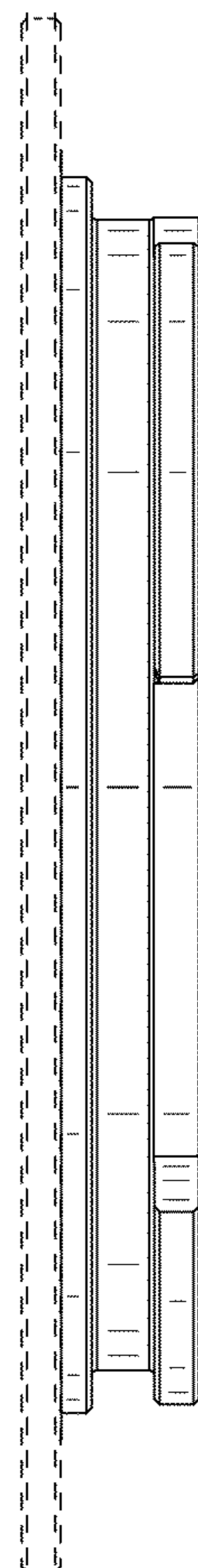


FIG.16

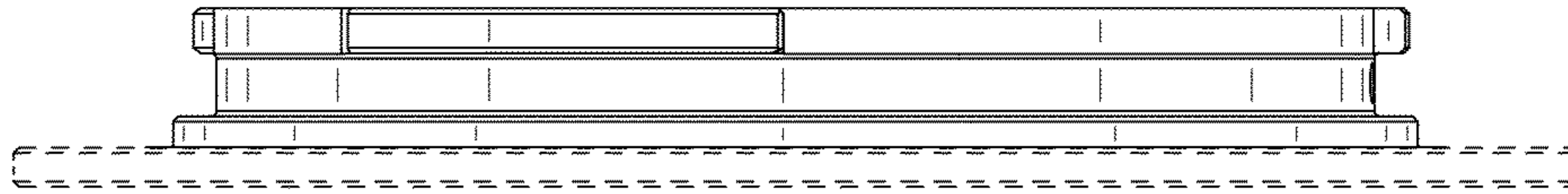


FIG.17

