



US00D688290S

(12) **United States Design Patent**  
**Hwang**

(10) **Patent No.:** **US D688,290 S**

(45) **Date of Patent:** **\*\* Aug. 20, 2013**

(54) **DIGITAL CAMERA**

(75) Inventor: **Kyu Eun Hwang**, Seoul (KR)

(73) Assignee: **Samsung Electronics Co., Ltd.**,  
Gyeonggi-do (KR)

(\*\*) Term: **14 Years**

(21) Appl. No.: **29/412,843**

(22) Filed: **Feb. 8, 2012**

(51) **LOC (9) Cl.** ..... **16-01**

(52) **U.S. Cl.**  
USPC ..... **D16/202**

(58) **Field of Classification Search**  
USPC D16/200, 202, 204, 208, 218; 348/373-376;  
358/909.1; 396/535-541  
See application file for complete search history.

(56) **References Cited**

U.S. PATENT DOCUMENTS

D545,335 S \* 6/2007 Kanno ..... D16/218  
D561,219 S \* 2/2008 Nagayama et al. .... D16/202

7,646,426 B2 \* 1/2010 Saiki et al. .... 348/373  
7,929,859 B2 \* 4/2011 Saiki ..... 396/535  
D649,572 S \* 11/2011 Lee ..... D16/202  
D669,514 S \* 10/2012 Ham ..... D16/202  
D671,582 S \* 11/2012 Jang et al. .... D16/202

\* cited by examiner

*Primary Examiner* — Adir Aronovich

(74) *Attorney, Agent, or Firm* — Harness, Dickey & Pierce,  
P.L.C.

(57) **CLAIM**

The ornamental design for a digital camera, as shown.

**DESCRIPTION**

FIG. 1 is a front, top and left side perspective view of a digital camera showing my new design;  
FIG. 2 is a front elevational view thereof;  
FIG. 3 is a rear elevational view thereof;  
FIG. 4 is a left side elevational view thereof;  
FIG. 5 is a right side elevational view thereof;  
FIG. 6 is a top plan view thereof; and,  
FIG. 7 is a bottom plan view thereof.

**1 Claim, 6 Drawing Sheets**

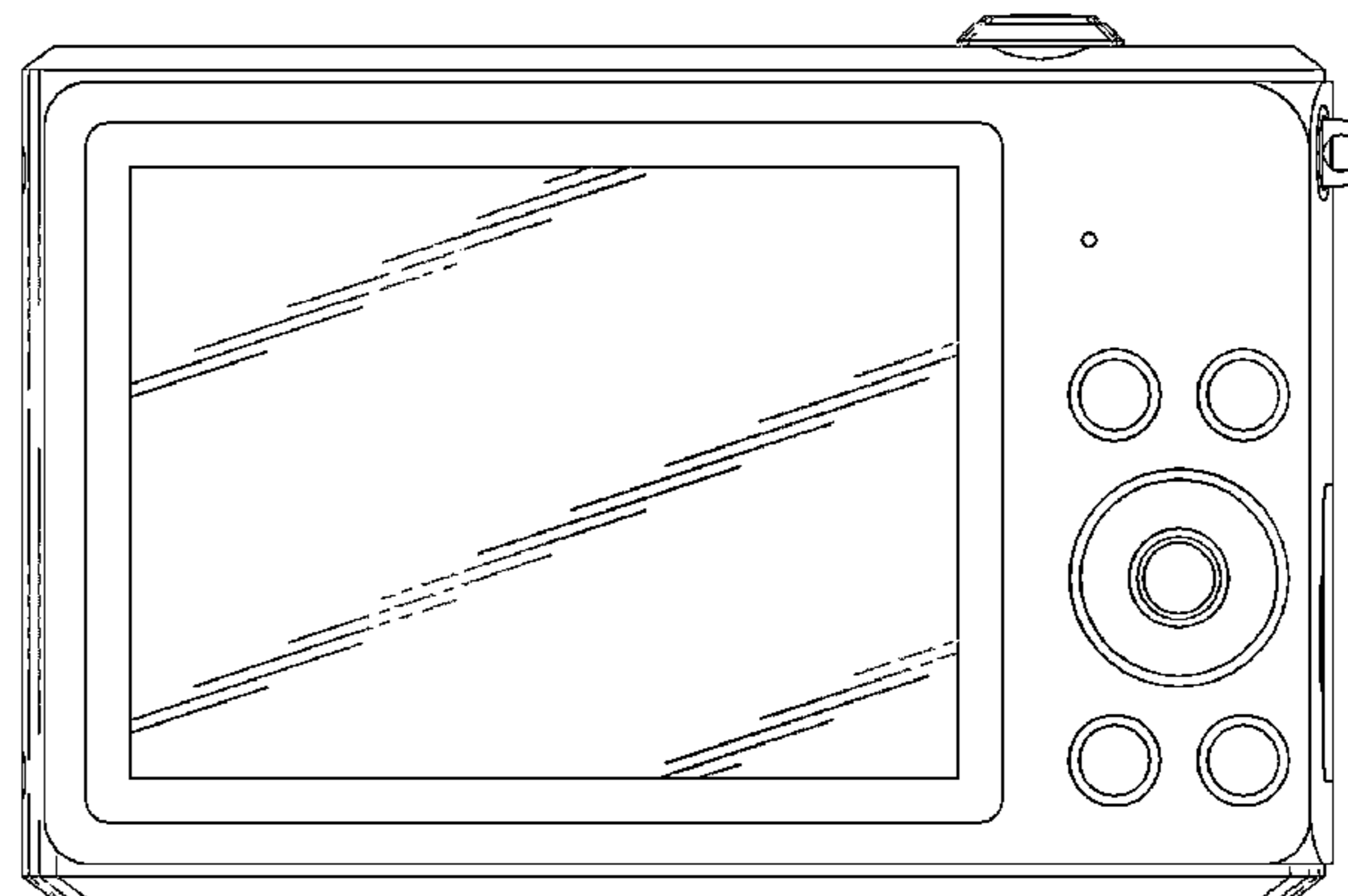
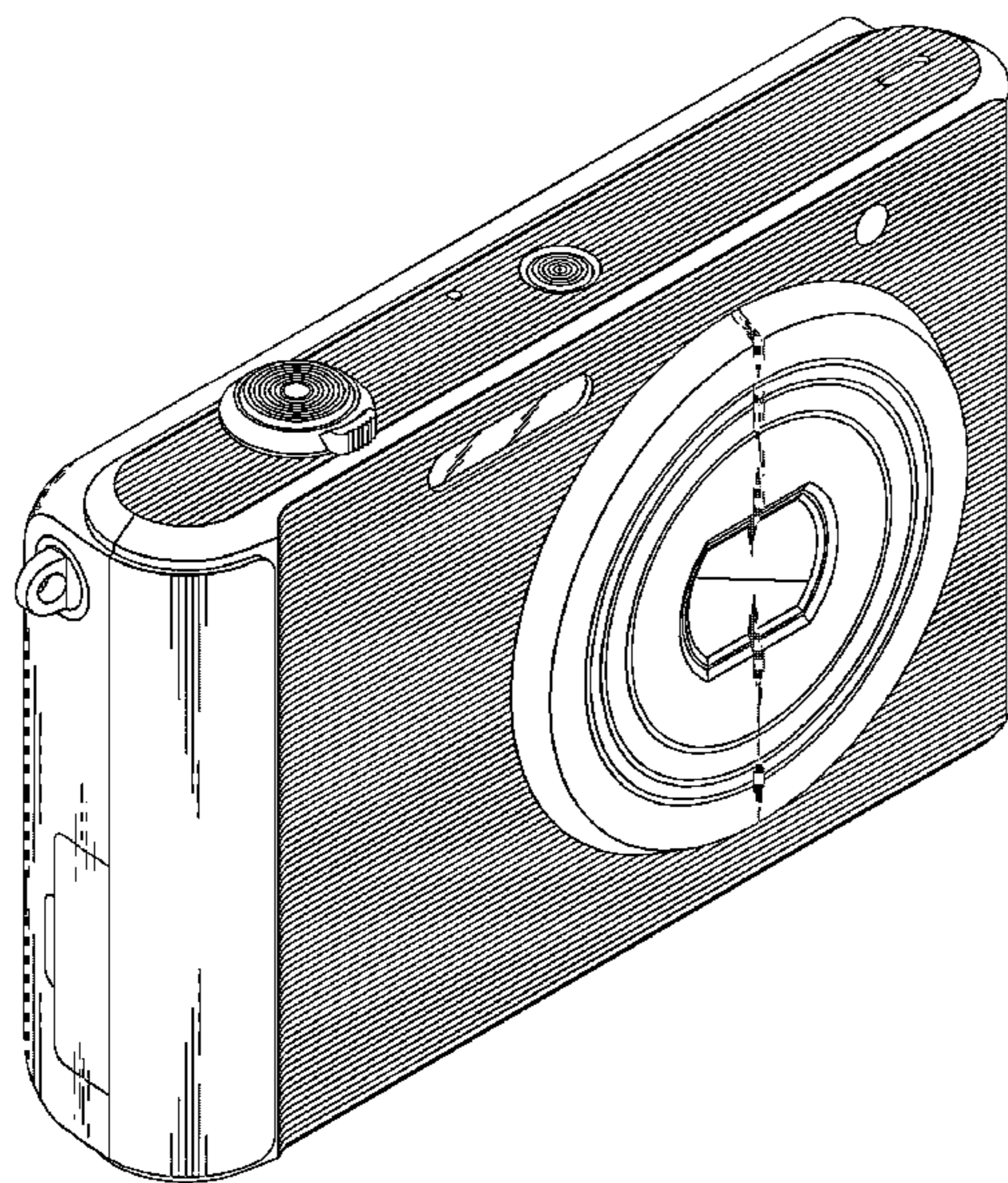


FIG. 1

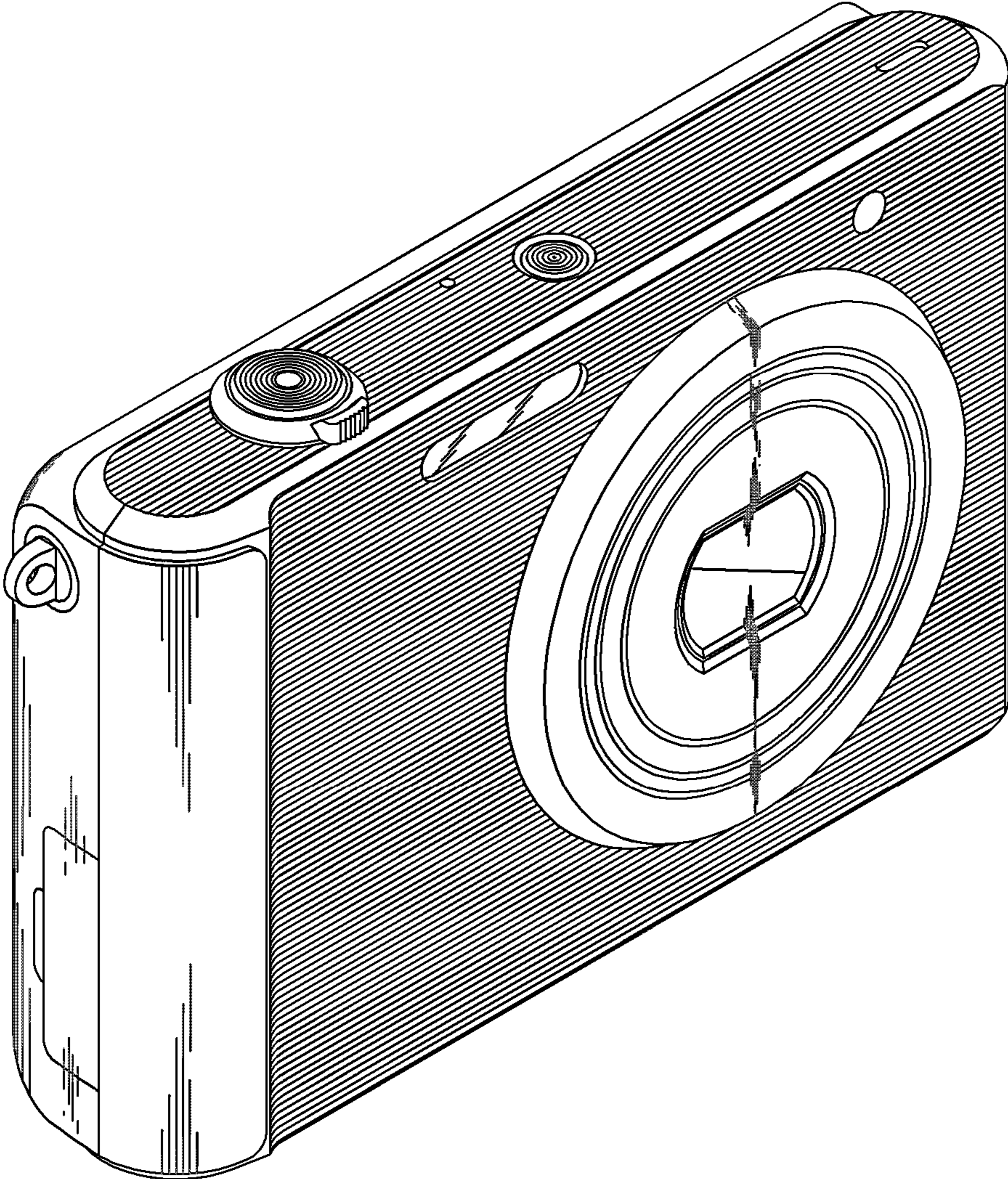


FIG. 2

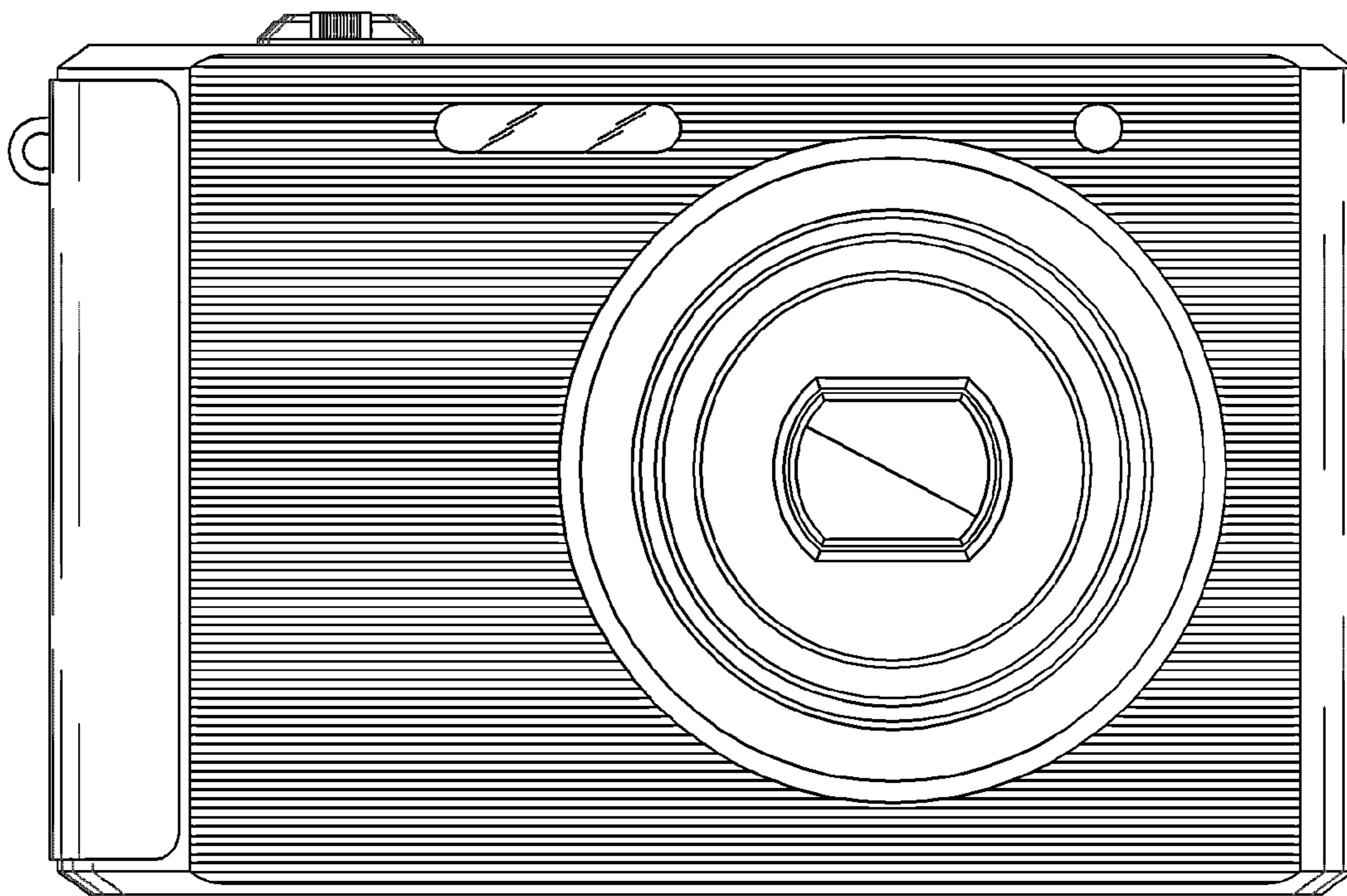


FIG. 3

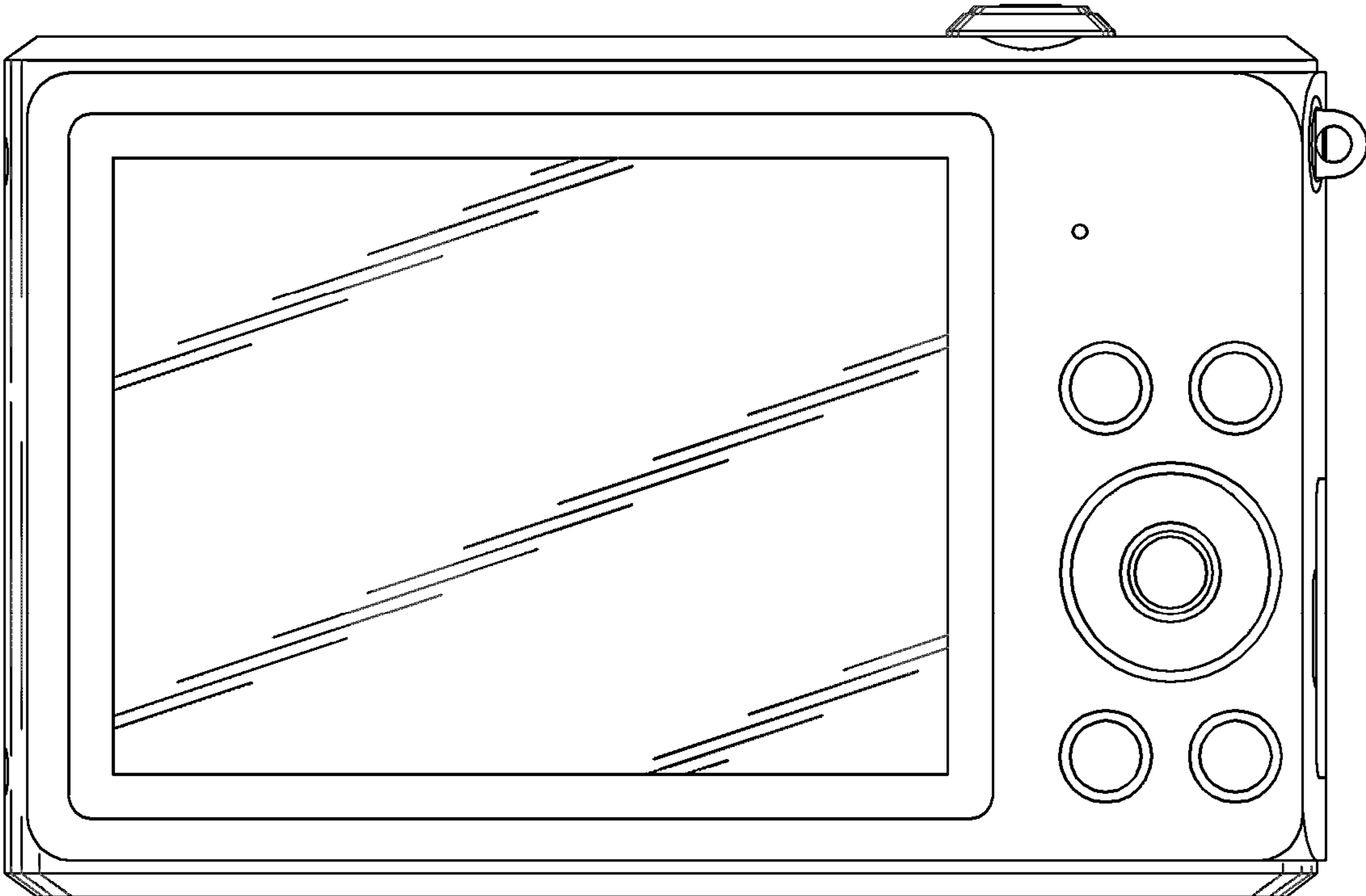


FIG. 4

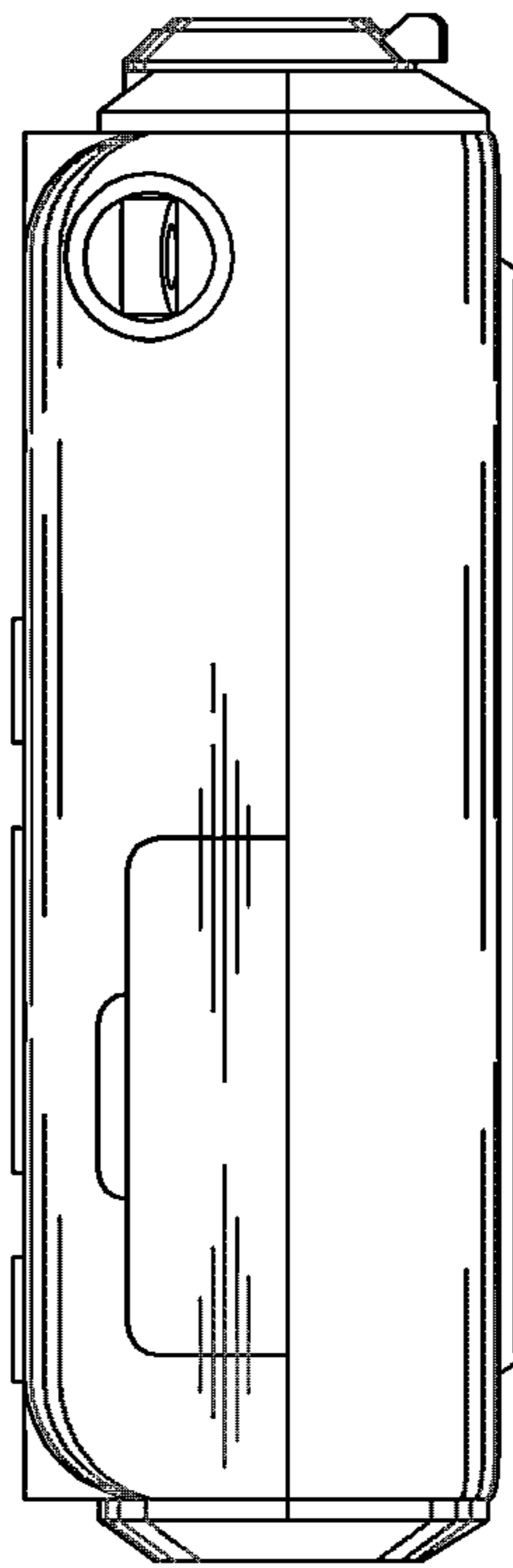


FIG. 5

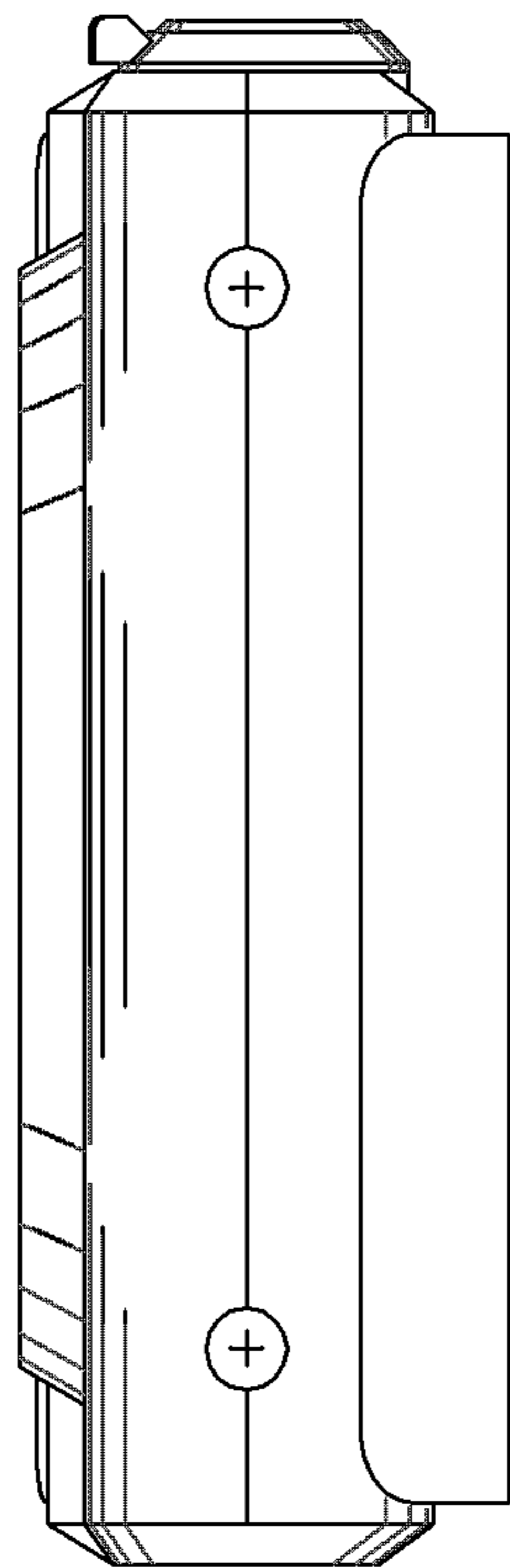


FIG. 6

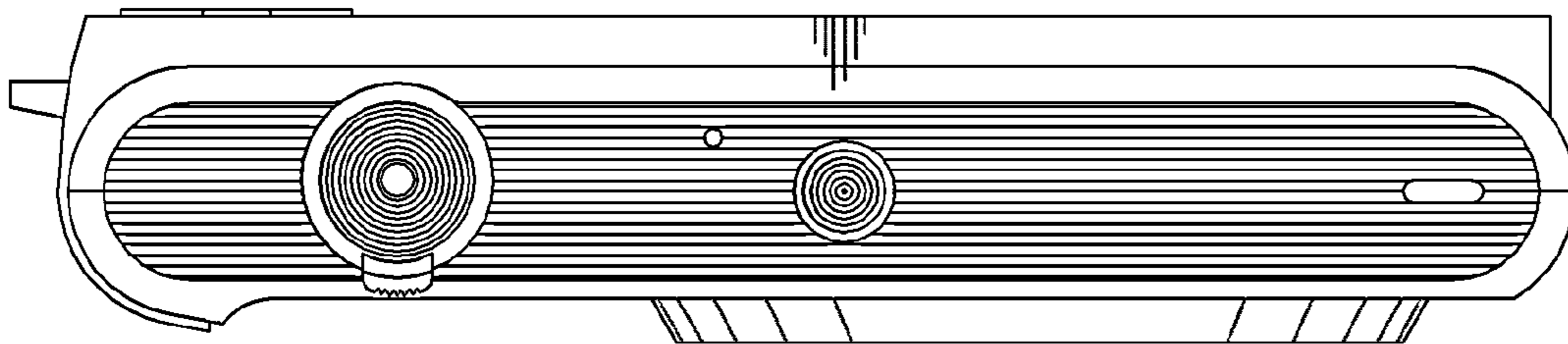


FIG. 7

