



US00D688289S

(12) **United States Design Patent**
Hodgson

(10) **Patent No.:** **US D688,289 S**

(45) **Date of Patent:** **** Aug. 20, 2013**

(54) **MAGNIFIER**

(75) **Inventor:** **Fraser Hodgson**, London (GB)

(73) **Assignee:** **The Daylight Company (Holdings) Limited** (GB)

(**) **Term:** **14 Years**

(21) **Appl. No.:** **29/431,370**

(22) **Filed:** **Sep. 6, 2012**

(30) **Foreign Application Priority Data**

Mar. 9, 2012 (EM) 002006106-0001

(51) **LOC (9) Cl.** **16-06**

(52) **U.S. Cl.**
USPC **D16/135**

(58) **Field of Classification Search**
USPC D16/130, 135; D6/300, 309; 362/268,
362/281; 248/278.1; 359/802, 811, 819,
359/822, 823, 826

See application file for complete search history.

(56) **References Cited**

U.S. PATENT DOCUMENTS

1,462,398	A *	7/1923	Van Nostrand	362/139
2,523,118	A *	9/1950	Jones	248/278.1
D196,269	S *	9/1963	Mehr	D16/135
3,351,751	A *	11/1967	Stube et al.	362/186
D218,537	S *	8/1970	Bushon	D16/135
4,285,489	A *	8/1981	Blanchard	248/471
4,336,916	A *	6/1982	Blanchard	248/471
D295,287	S *	4/1988	Krogsrud et al.	D16/135

5,442,488	A	8/1995	Pastorino		
5,613,771	A *	3/1997	Siverling	362/401
6,088,173	A *	7/2000	Mendelsohn et al.	359/802
6,322,226	B1 *	11/2001	Dickson	362/33
D482,813	S *	11/2003	Waldmann	D26/61
6,717,750	B2 *	4/2004	Knipping et al.	359/803
D490,553	S *	5/2004	Waldmann	D26/61
6,816,325	B1 *	11/2004	Becker et al.	359/819
D505,219	S *	5/2005	Jacquelin	D26/51
D524,976	S *	7/2006	Hodgson	D26/60
D526,340	S *	8/2006	Hodgson	D16/135
D538,830	S *	3/2007	Yip et al.	D16/135
D597,239	S *	7/2009	Hodgson	D26/65
D597,240	S *	7/2009	Hodgson	D26/65
D636,513	S *	4/2011	Furtsch	D26/51
7,980,722	B2 *	7/2011	Coleman et al.	362/138
2005/0243441	A1	11/2005	Welch		
2011/0085338	A1	4/2011	Lu		

* cited by examiner

Primary Examiner — Paula Greene

(74) *Attorney, Agent, or Firm* — Laubscher & Laubscher

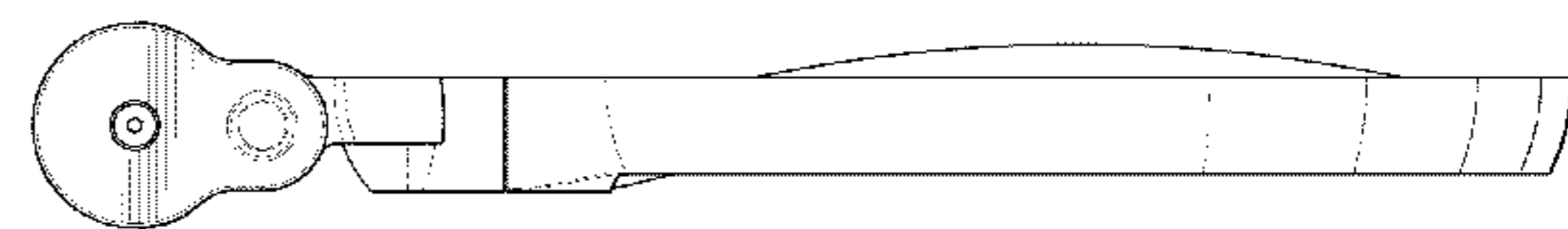
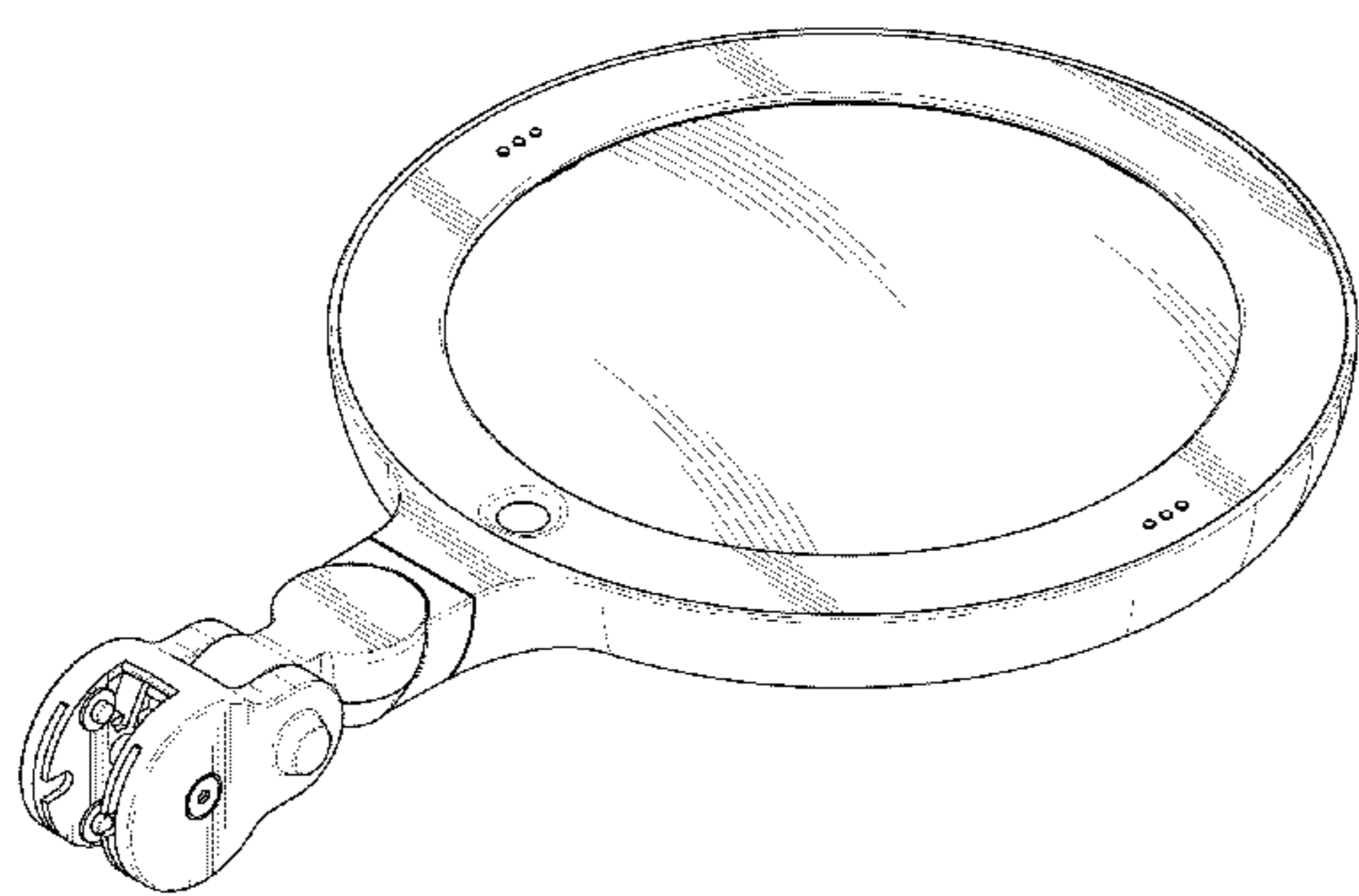
(57) **CLAIM**

The ornamental design for a magnifier, as shown.

DESCRIPTION

FIG. 1 is a front perspective view thereof;
FIG. 2 is a top elevation view thereof;
FIG. 3 is a bottom elevation view thereof;
FIG. 4 is a right elevation view thereof
FIG. 5 is a left elevation view thereof;
FIG. 6 is a front elevation view thereof; and,
FIG. 7 is a rear elevation view thereof.

1 Claim, 4 Drawing Sheets



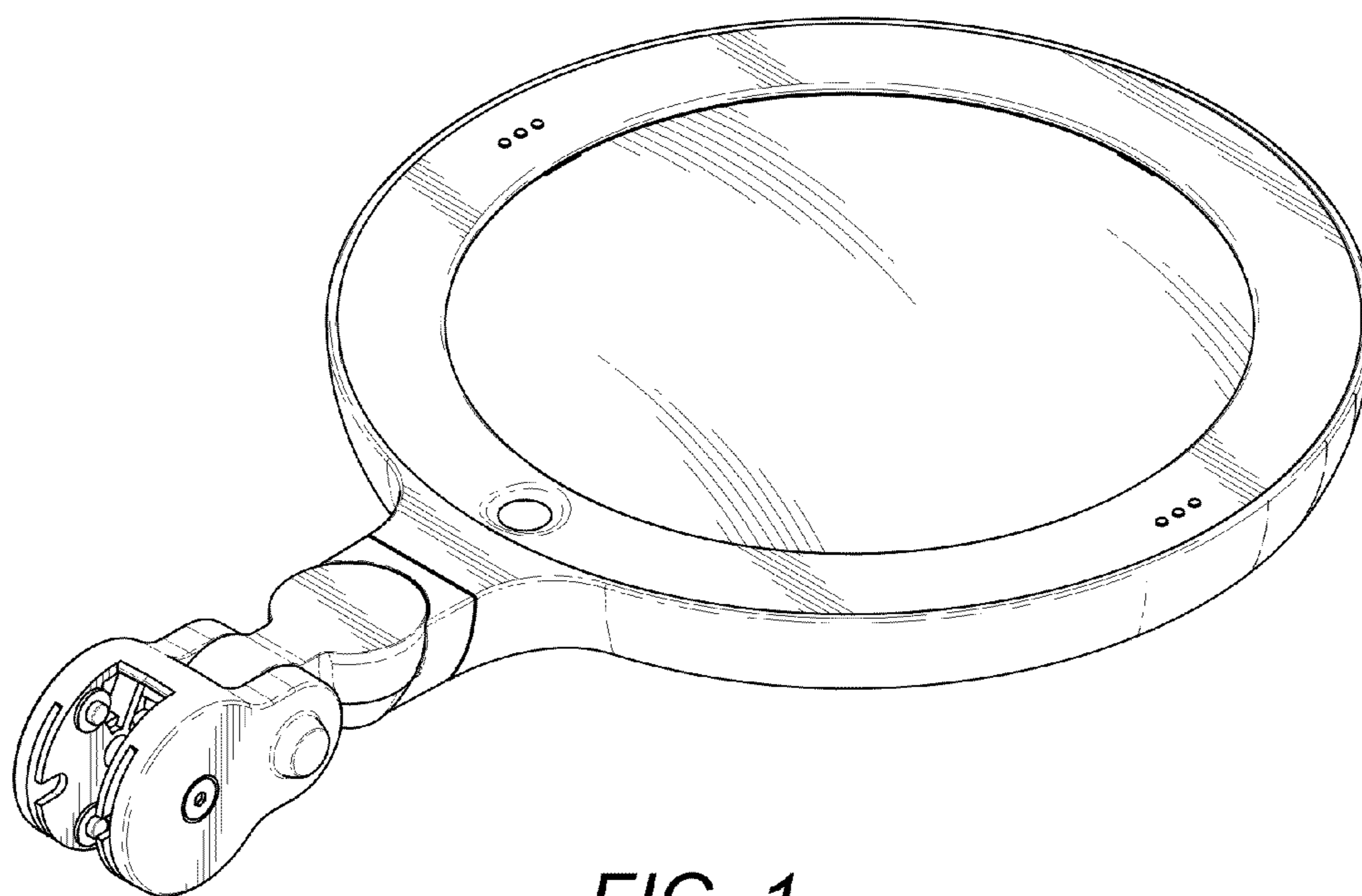


FIG. 1

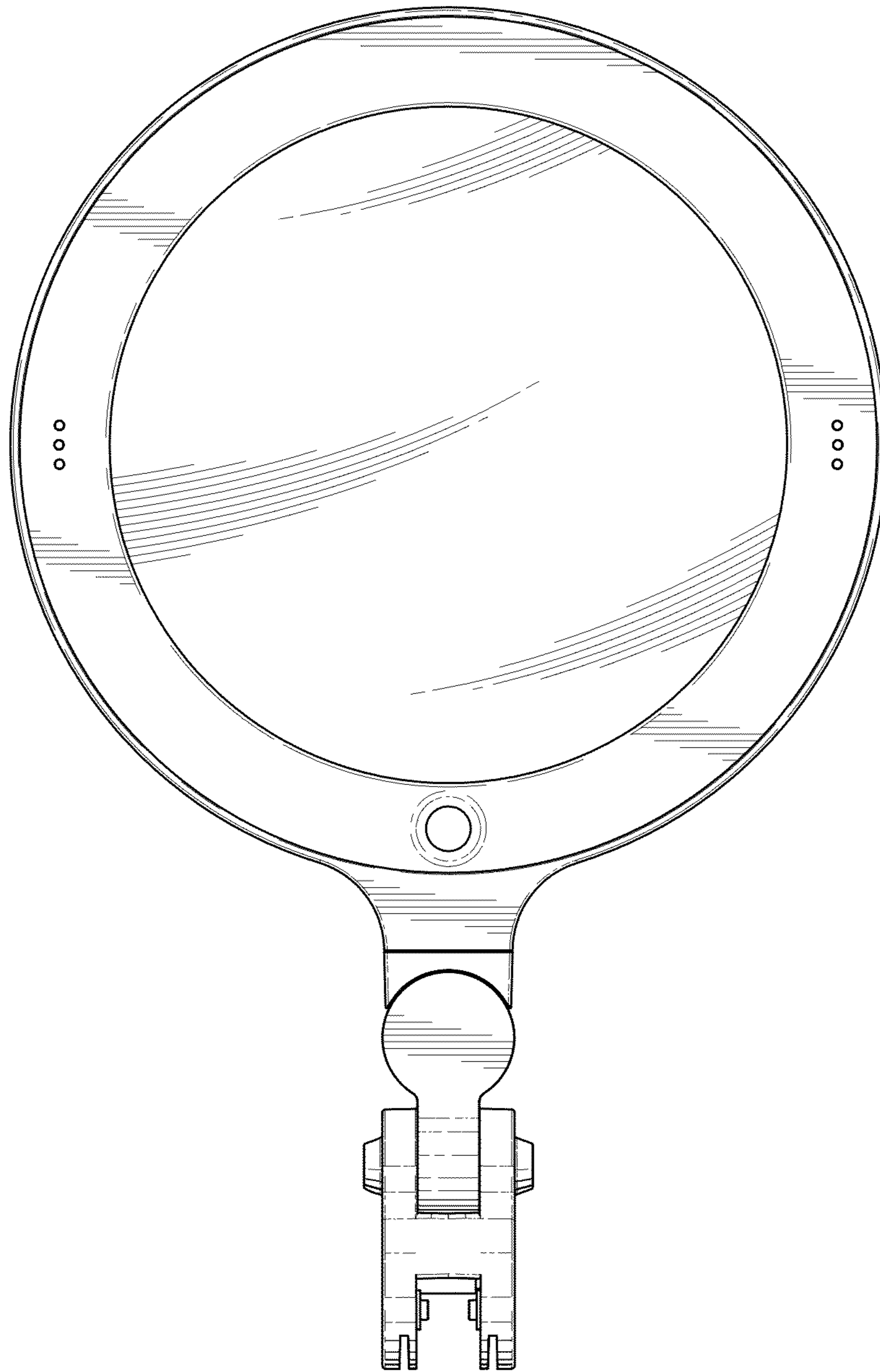


FIG. 2

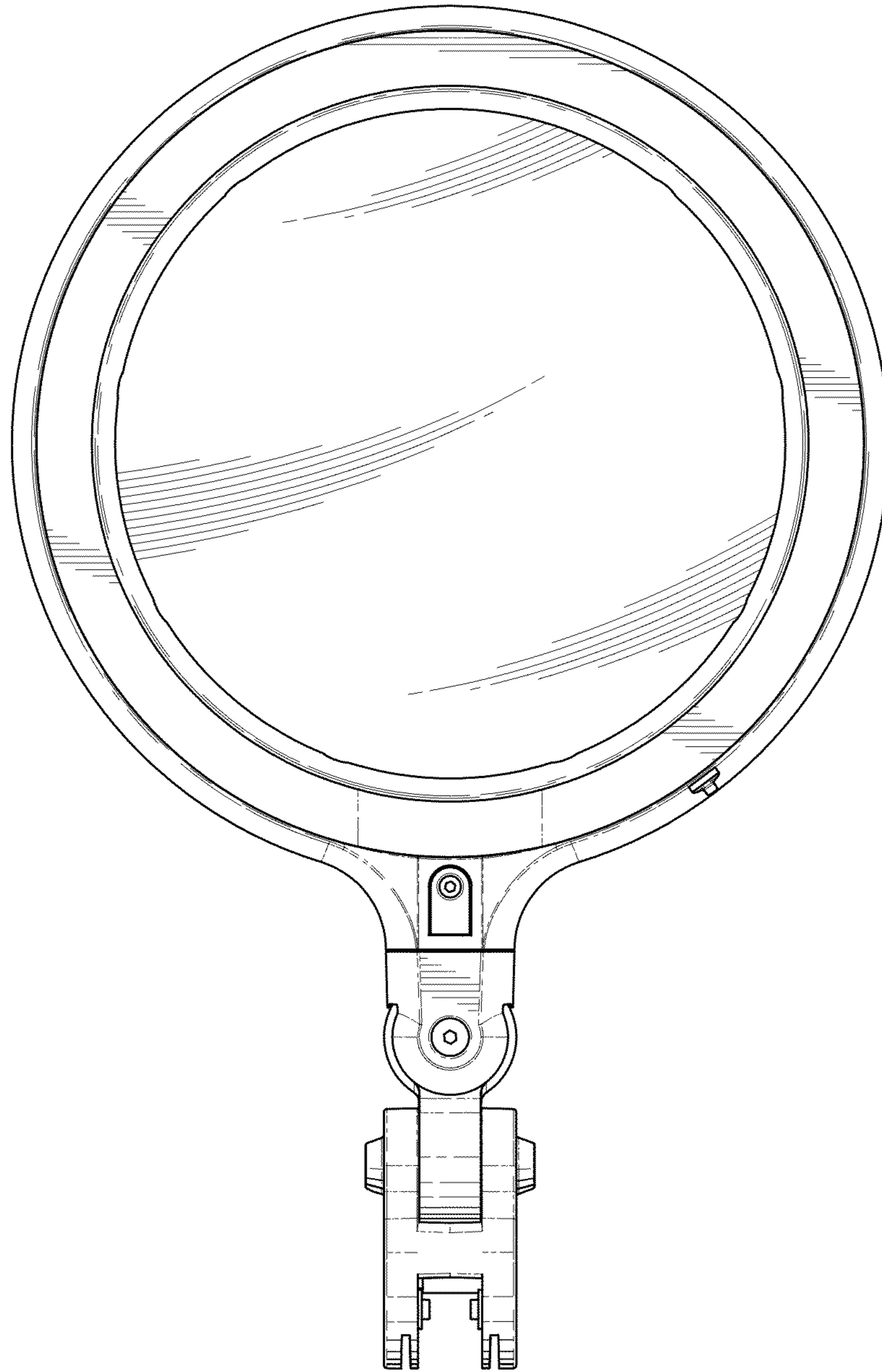


FIG. 3

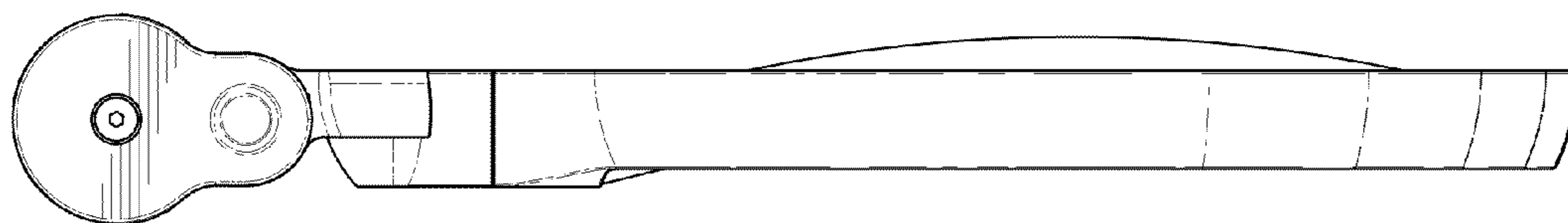


FIG. 4

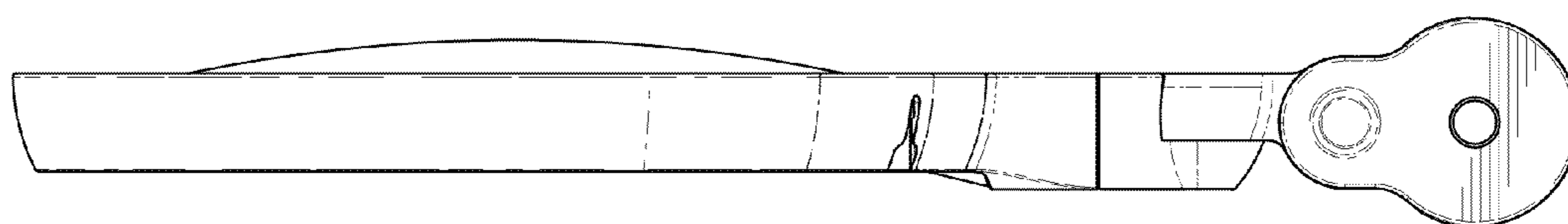


FIG. 5

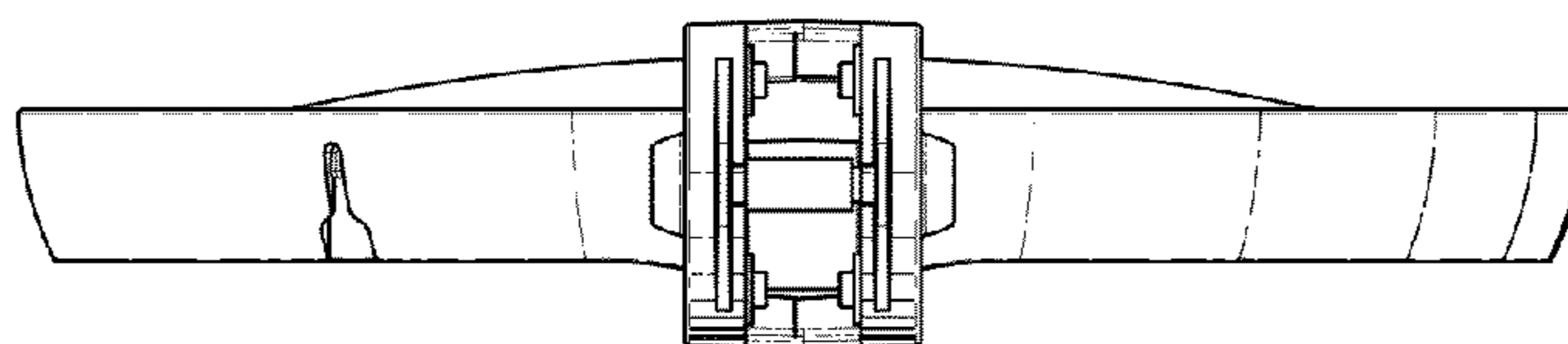


FIG. 6

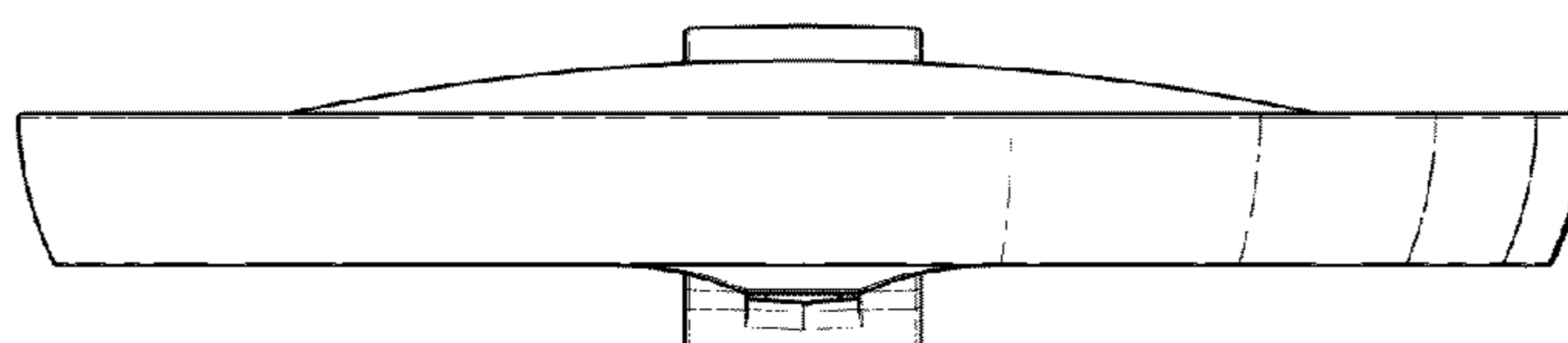


FIG. 7