



US00D688283S

(12) **United States Design Patent**
Choi

(10) **Patent No.:** **US D688,283 S**

(45) **Date of Patent:** **** Aug. 20, 2013**

(54) **OIL FILTER CHANGING SLEEVE**

(76) Inventor: **Brandon Jeffrey Choi**, Honolulu, HI
(US)

(**) Term: **14 Years**

(21) Appl. No.: **29/421,297**

(22) Filed: **Jun. 26, 2012**

(51) **LOC (9) Cl.** **15-99**

(52) **U.S. Cl.**
USPC **D15/152**

(58) **Field of Classification Search**
USPC D8/14, 21, 22, 397; D9/454; D15/150,
D15/151, 152; D23/209; 24/279; 81/3.4,
81/3.44, 120, 121.1, 125; 137/87; 141/98,
141/330, 331, 332, 339; 184/6.23, 6.24,
184/6.28, 6.4, 27.1, 27.3, 31, 55, 58.65, 81,
184/106, 108; 206/223; 210/232, 248, 440,
210/450; 248/129; 280/47.34, 79.2, 79.5;
364/140; 411/418, 427, 429, 432; 418/270
See application file for complete search history.

(56) **References Cited**

U.S. PATENT DOCUMENTS

D188,688	S	*	8/1960	Sicard	D23/209
2,955,712	A	*	10/1960	Gutkowski	210/234
D199,756	S	*	12/1964	Gentit	D15/150
D273,793	S	*	5/1984	Nachatelo	D15/150
4,454,037	A	*	6/1984	Conterio et al.	210/120
4,642,183	A	*	2/1987	Hebert	210/232
D309,974	S	*	8/1990	Tannous	D23/209
4,964,330	A	*	10/1990	Swinney et al.	81/64
5,065,648	A	*	11/1991	Hocfbaum, Jr.	81/64
D344,278	S	*	2/1994	Cole	D15/150
D353,648	S	*	12/1994	Guerriero	D23/209
D363,198	S	*	10/1995	Donaldson	D8/22
D365,259	S	*	12/1995	Littlejohn	D8/22
D396,868	S	*	8/1998	Pingel et al.	D15/151
D397,528	S	*	8/1998	Mowry	D30/121
6,354,340	B1	*	3/2002	Craine et al.	141/86
6,488,845	B1	*	12/2002	Neufeld et al.	210/232
7,107,878	B1	*	9/2006	Jerantowski	81/121.1
D638,042	S	*	5/2011	Liao	D15/152

D655,796 S * 3/2012 DeWitt et al. D23/269
D682,690 S * 5/2013 Bowes D9/439
2007/0227308 A1* 10/2007 Sawyer 81/3.4

* cited by examiner

Primary Examiner — Patricia Palasik
(74) *Attorney, Agent, or Firm* — Keri Ann K. S. Krzykowski

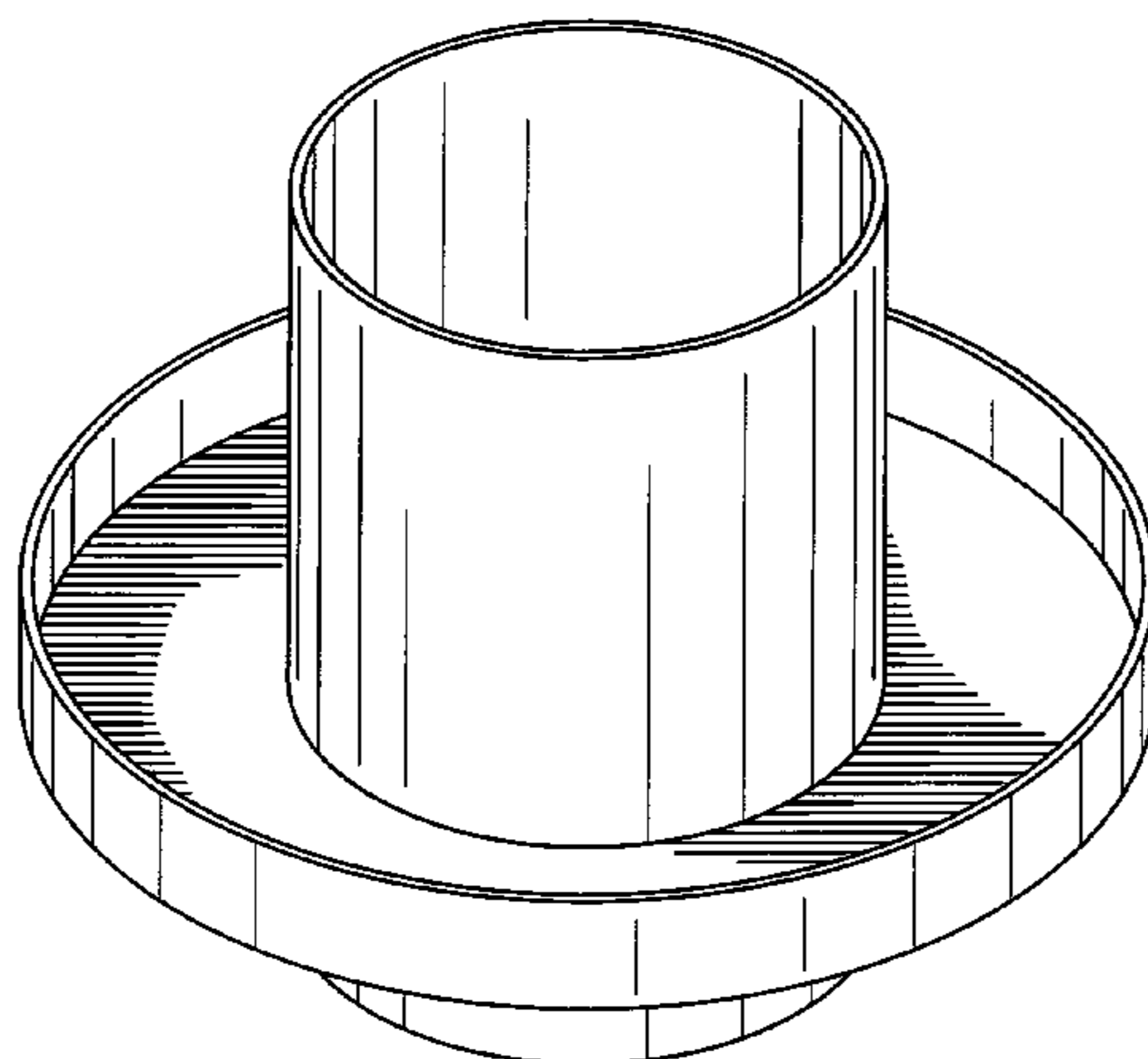
(57) **CLAIM**

The ornamental design for an oil filter changing sleeve, as shown and described.

DESCRIPTION

FIG. 1 is a perspective view of a first presently preferred embodiment of the oil filter changing sleeve of my new design;
FIG. 2 is an elevational view thereof from the front, the elevational views from the right, left, and rear thereof being identical;
FIG. 3 is a top plan view thereof;
FIG. 4 is a bottom plan view thereof;
FIG. 5 is a second perspective thereof from a higher elevation to show the depth of the opening in my design;
FIG. 6 is a perspective view of a second presently preferred embodiment of the oil filter changing sleeve of my new design;
FIG. 7 is an elevational view thereof from the front, the elevational views from the right, left, and rear thereof being identical;
FIG. 8 is a top plan view thereof;
FIG. 9 is a bottom plan view thereof;
FIG. 10 is a second perspective thereof from a higher elevation to show the depth of the opening in my design;
FIG. 11 is a perspective view of a third presently preferred embodiment of the oil filter changing sleeve of my new design;
FIG. 12 is an elevational view thereof from the front, the elevational views from the right, left, and rear thereof being identical;
FIG. 13 is a top plan view thereof;
FIG. 14 is a bottom plan view thereof; and,
FIG. 15 is a second perspective thereof from a higher elevation to show the depth of the opening in my design.

1 Claim, 15 Drawing Sheets



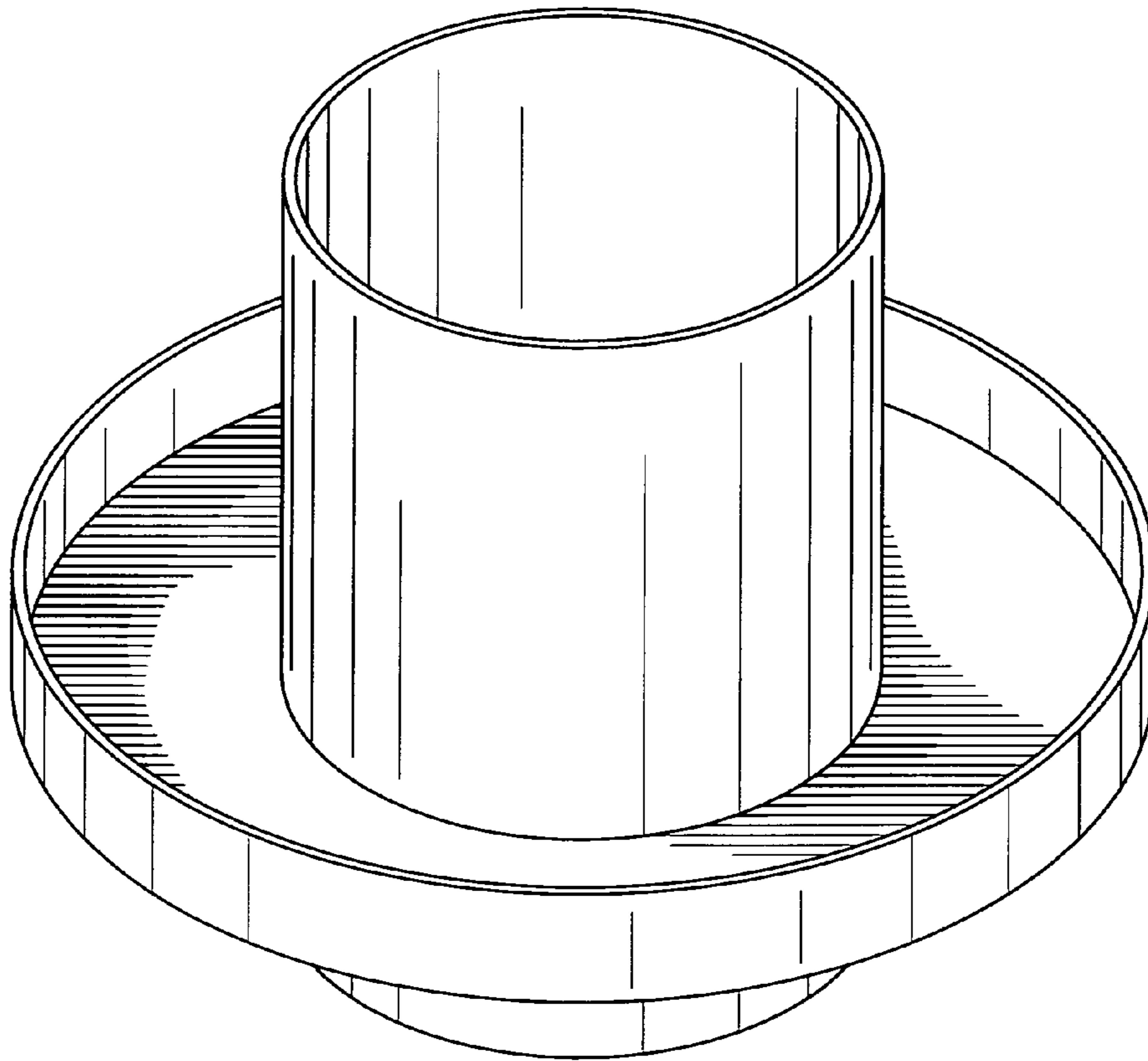


FIG. 1

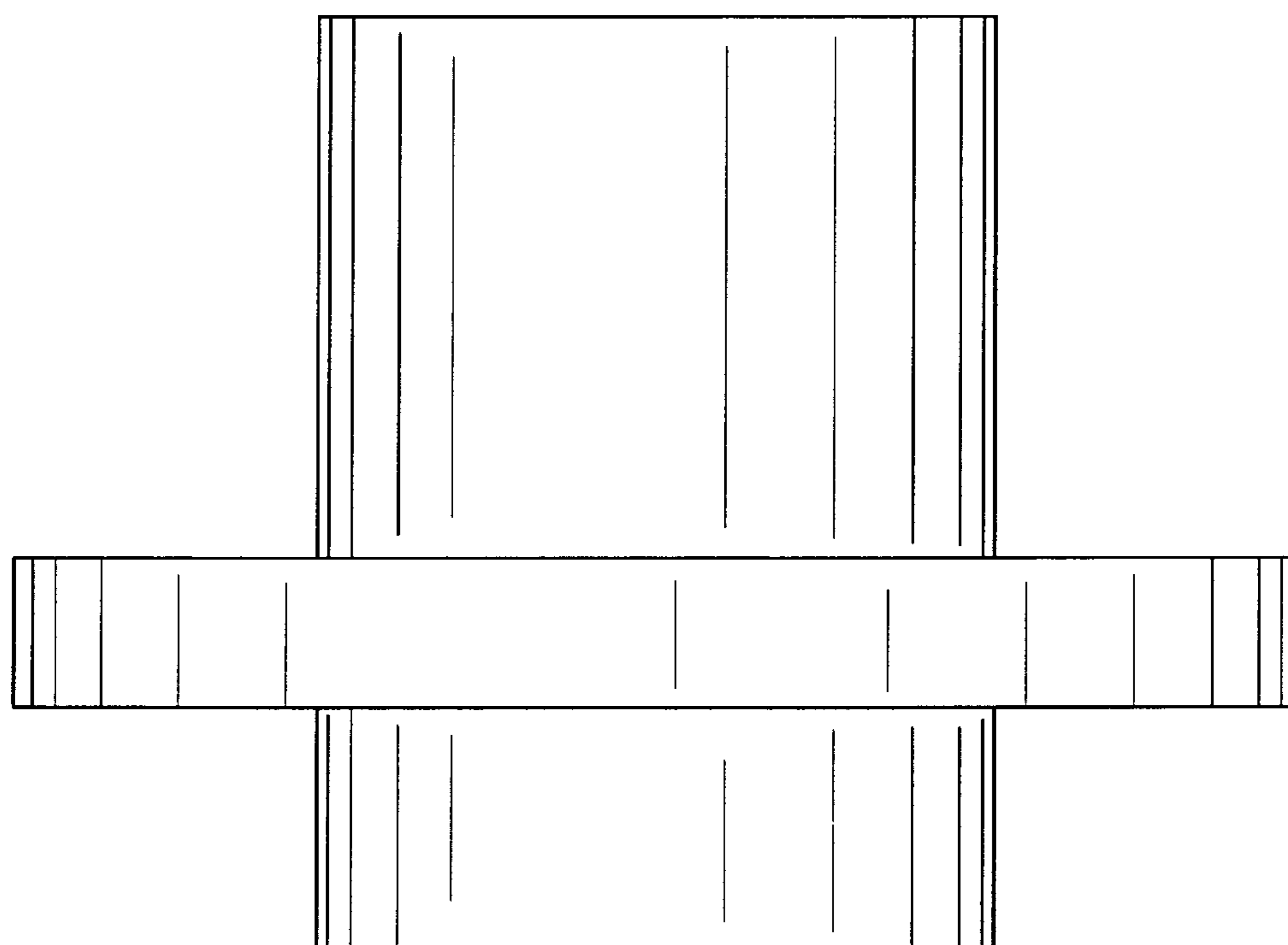


FIG. 2

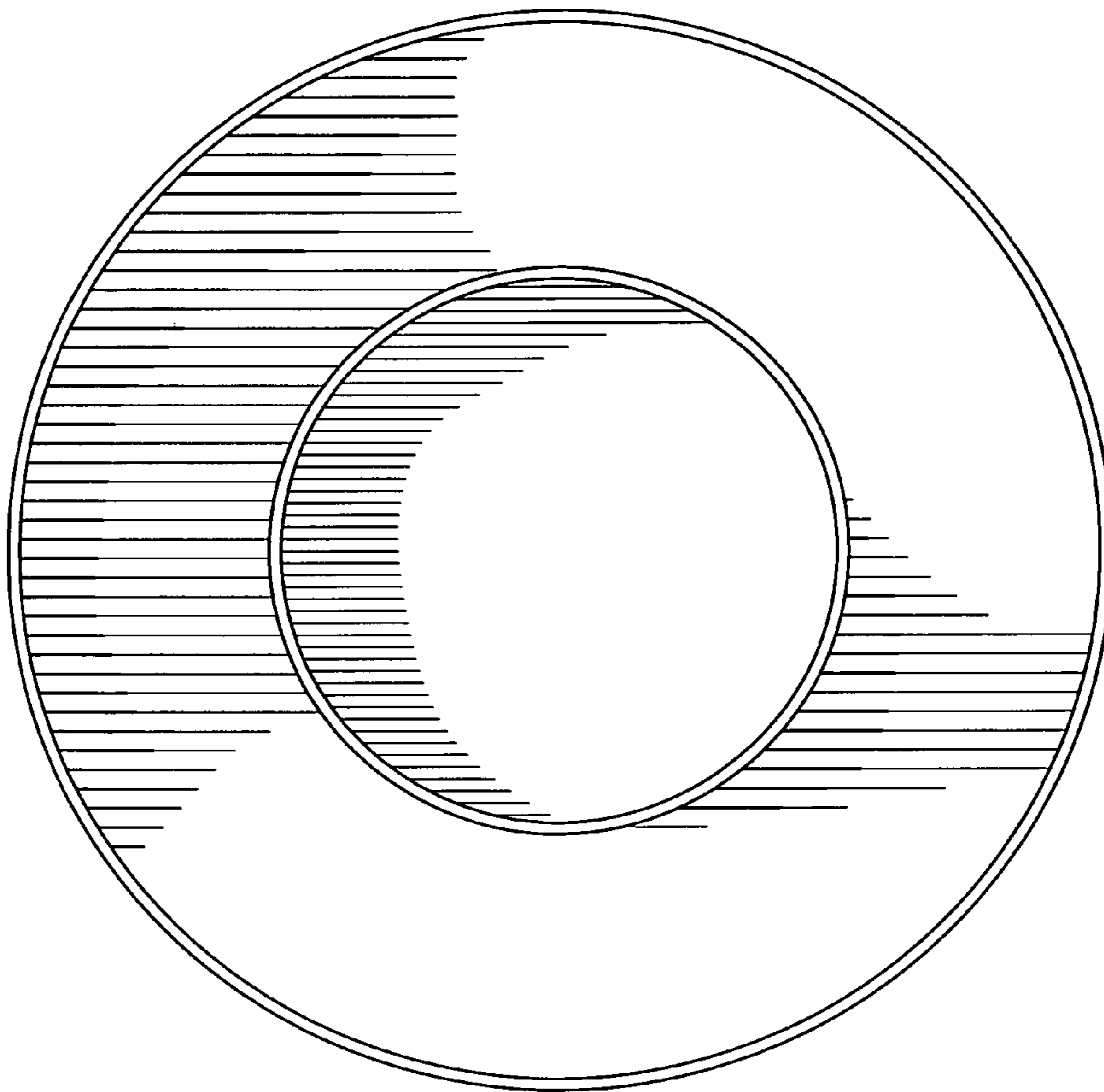


FIG. 3

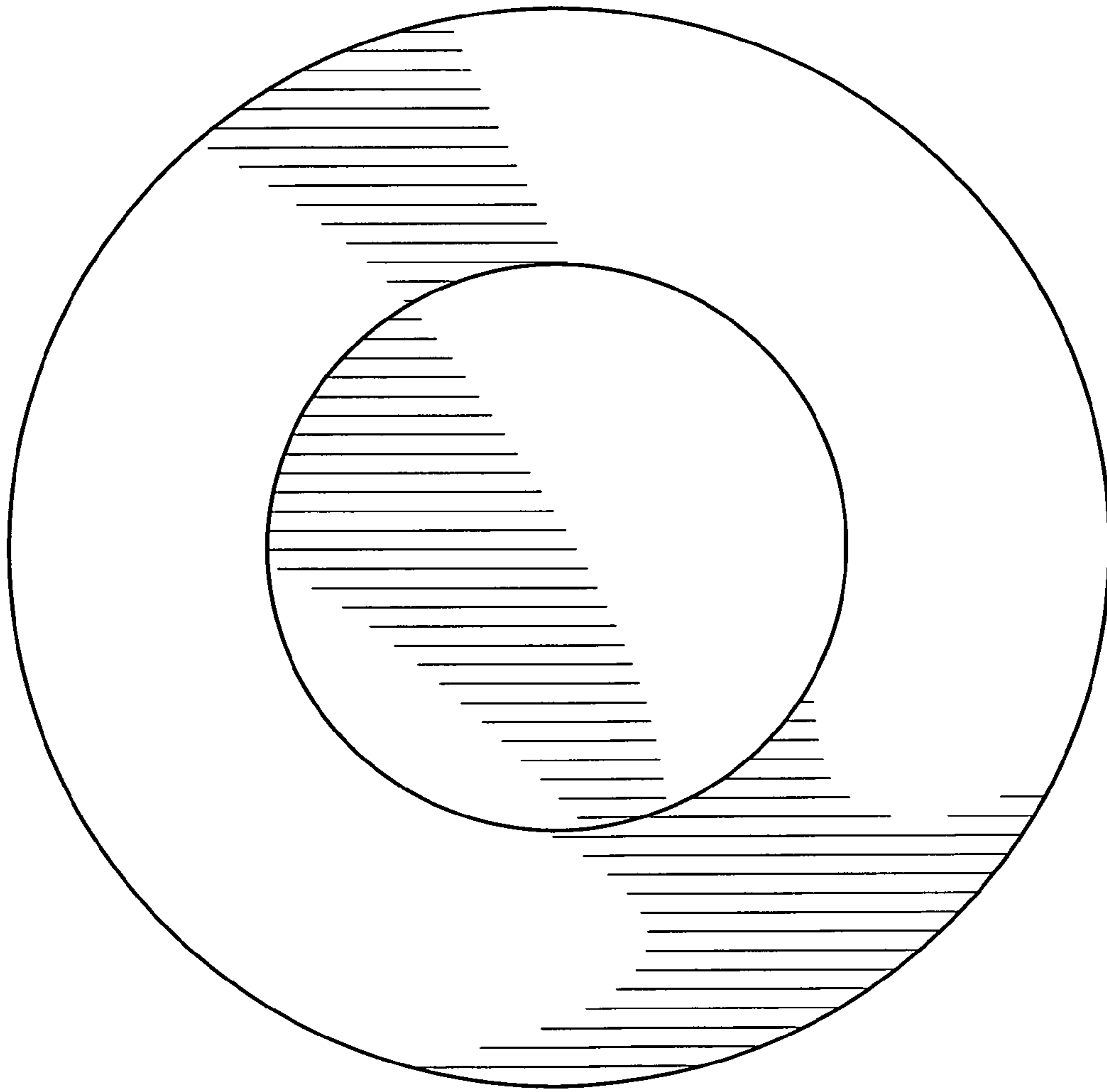


FIG. 4

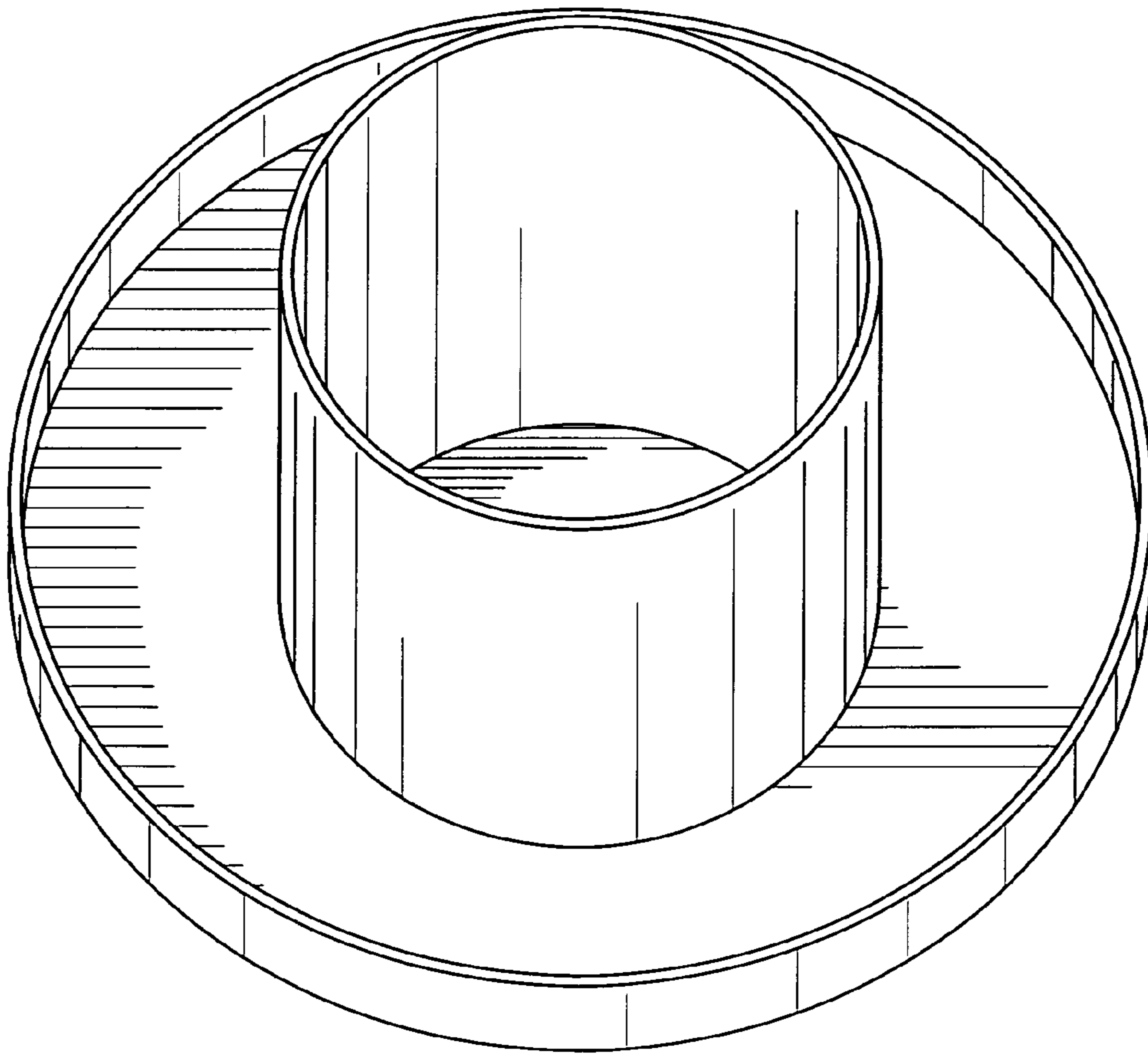


FIG. 5

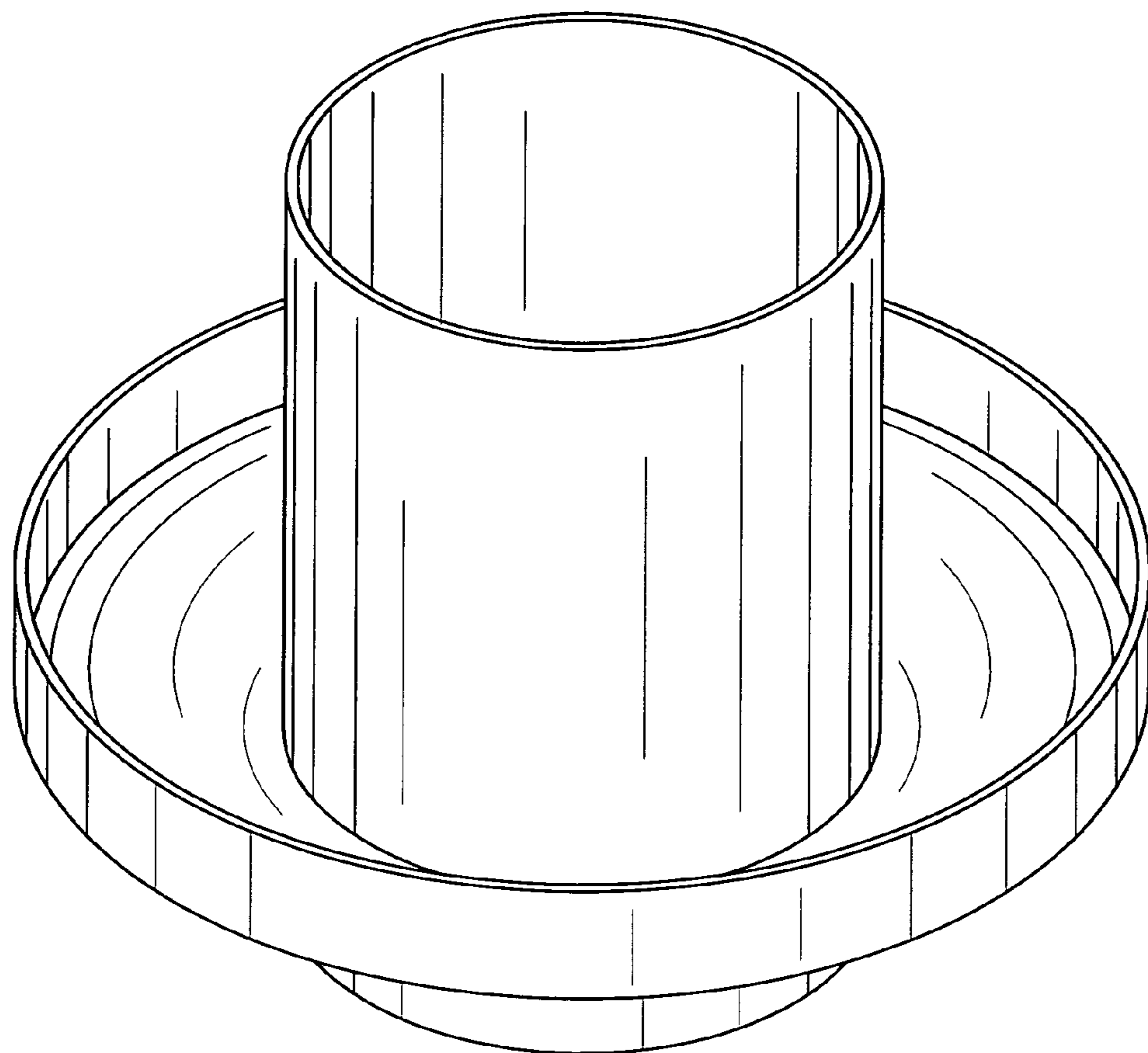


FIG. 6

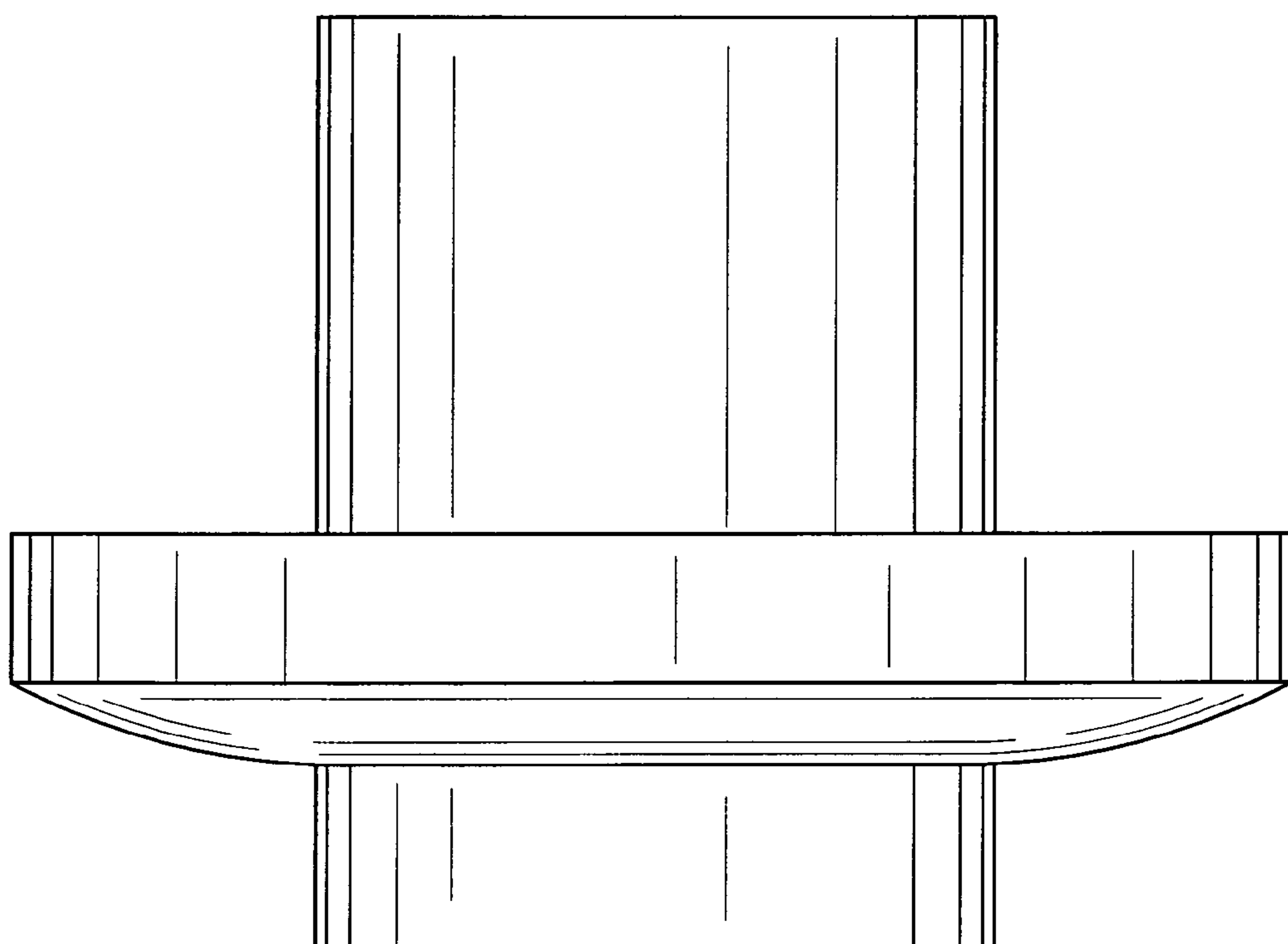


FIG. 7

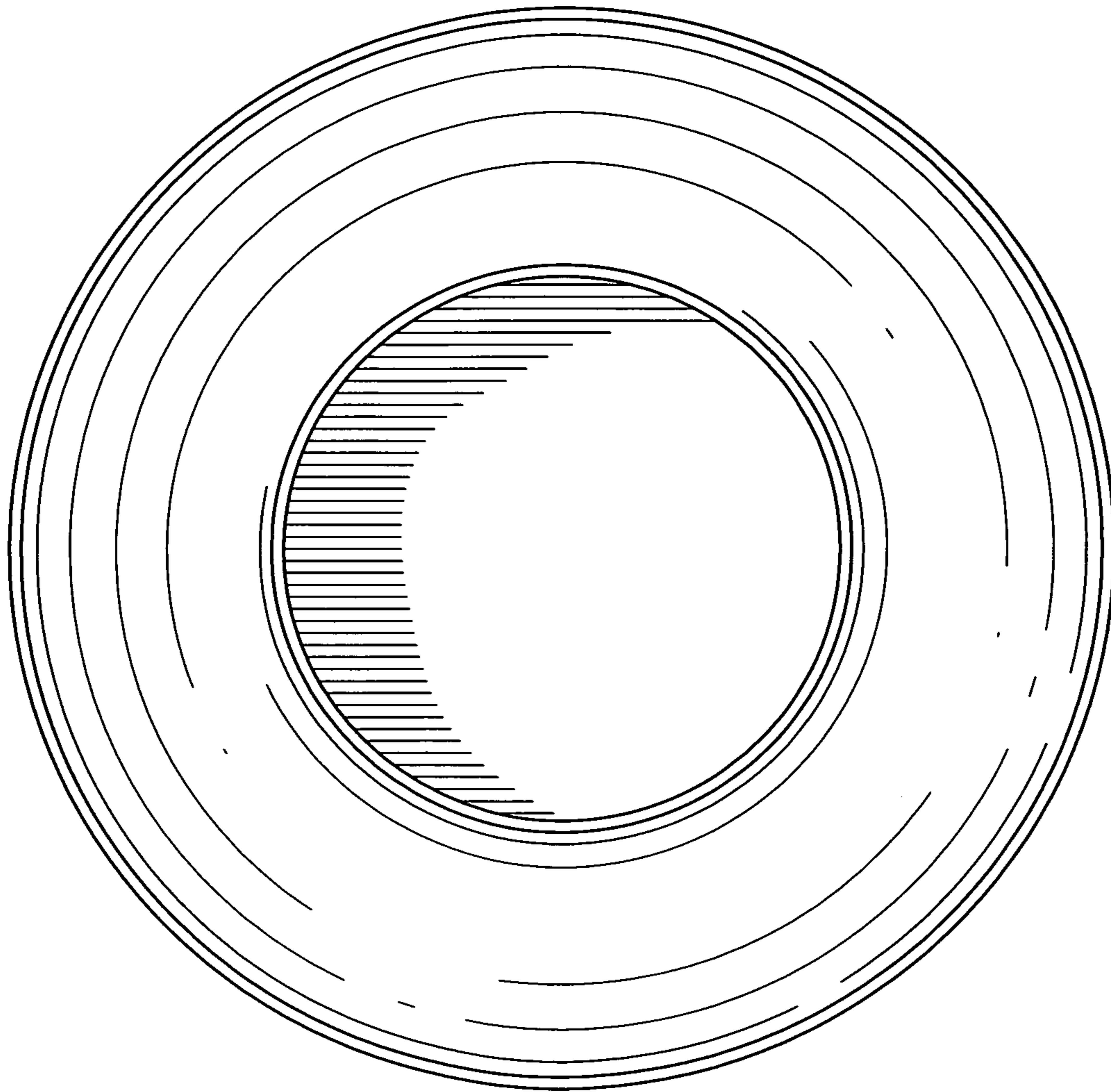


FIG. 8

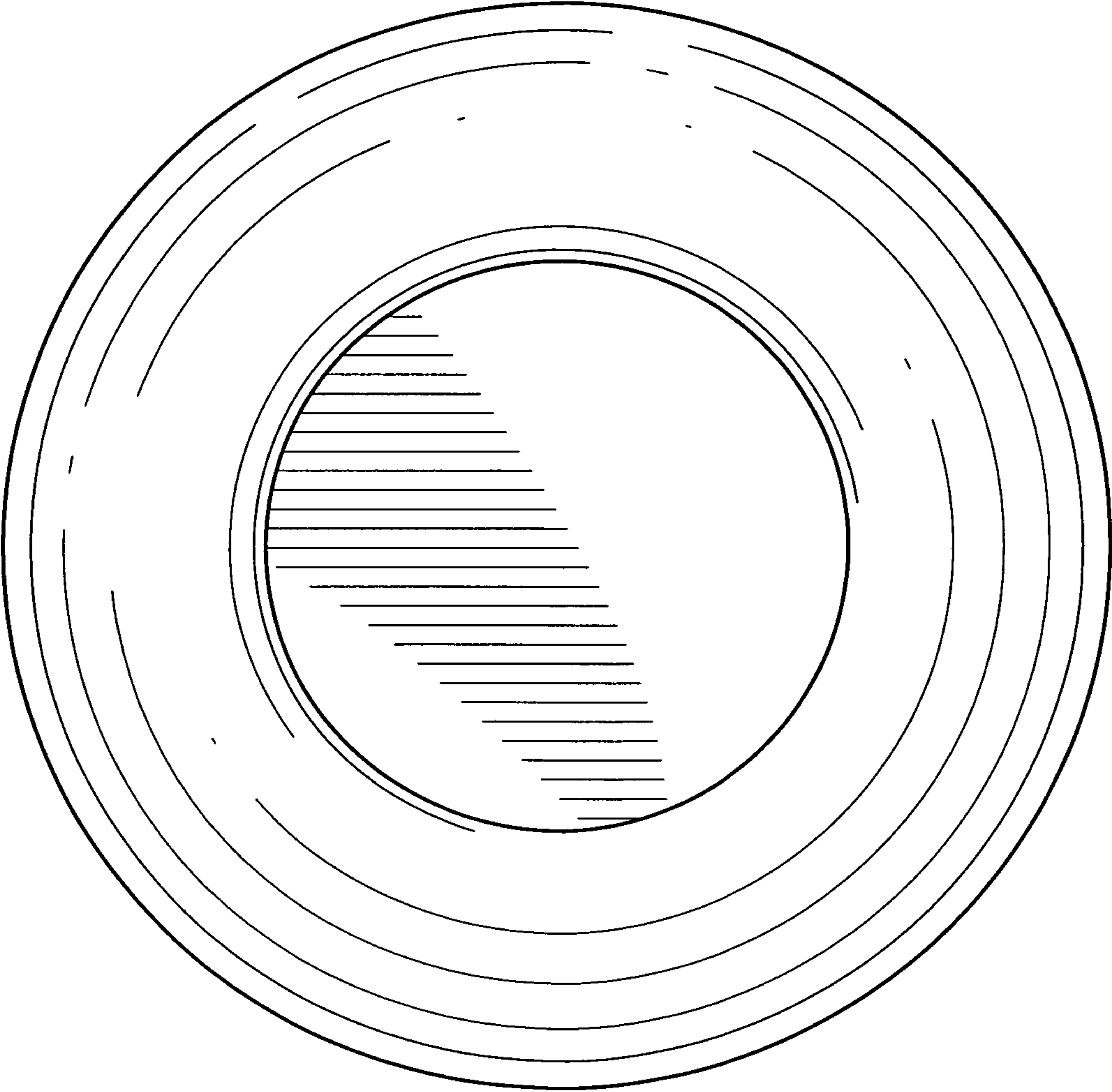


FIG. 9

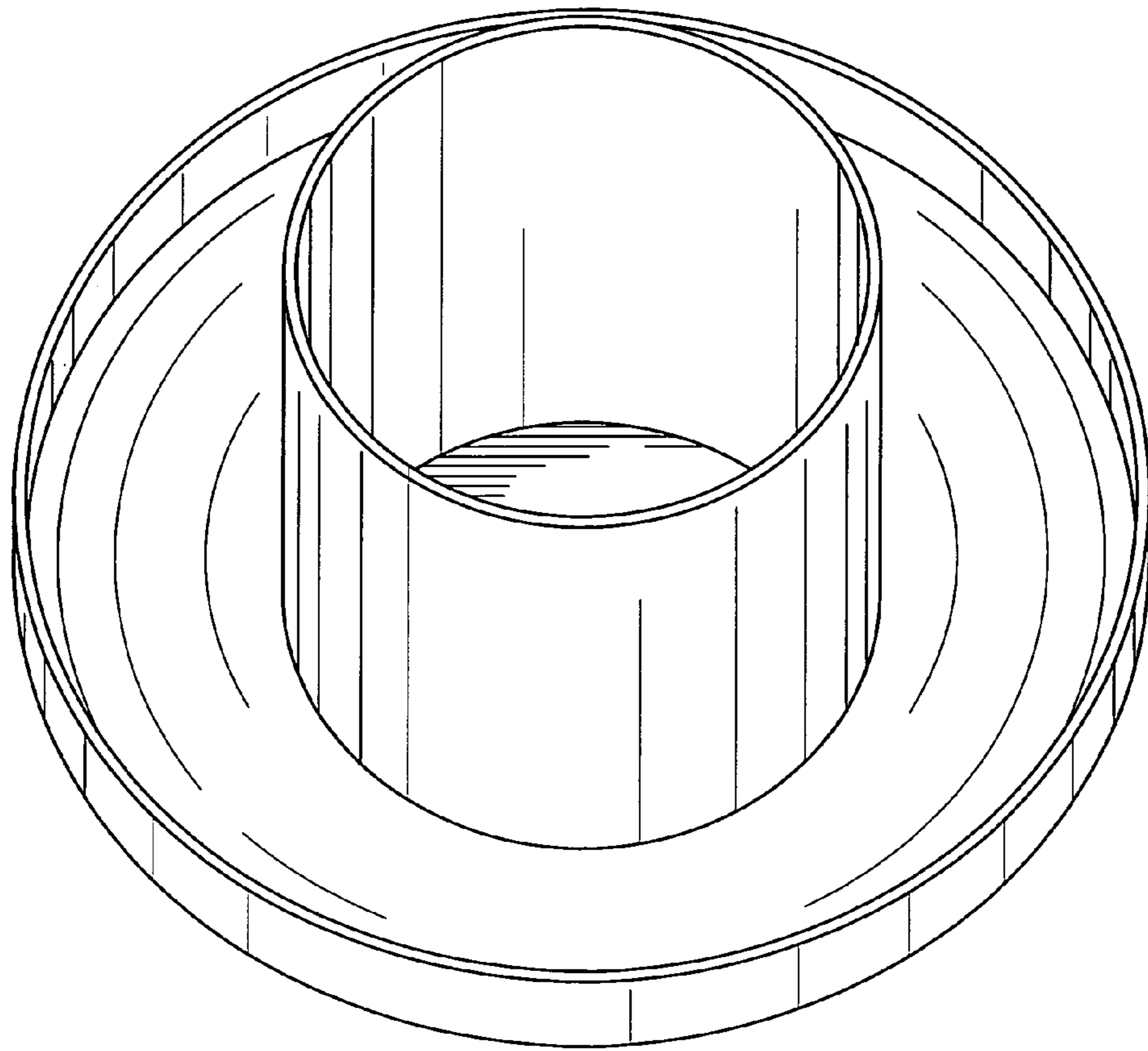


FIG. 10

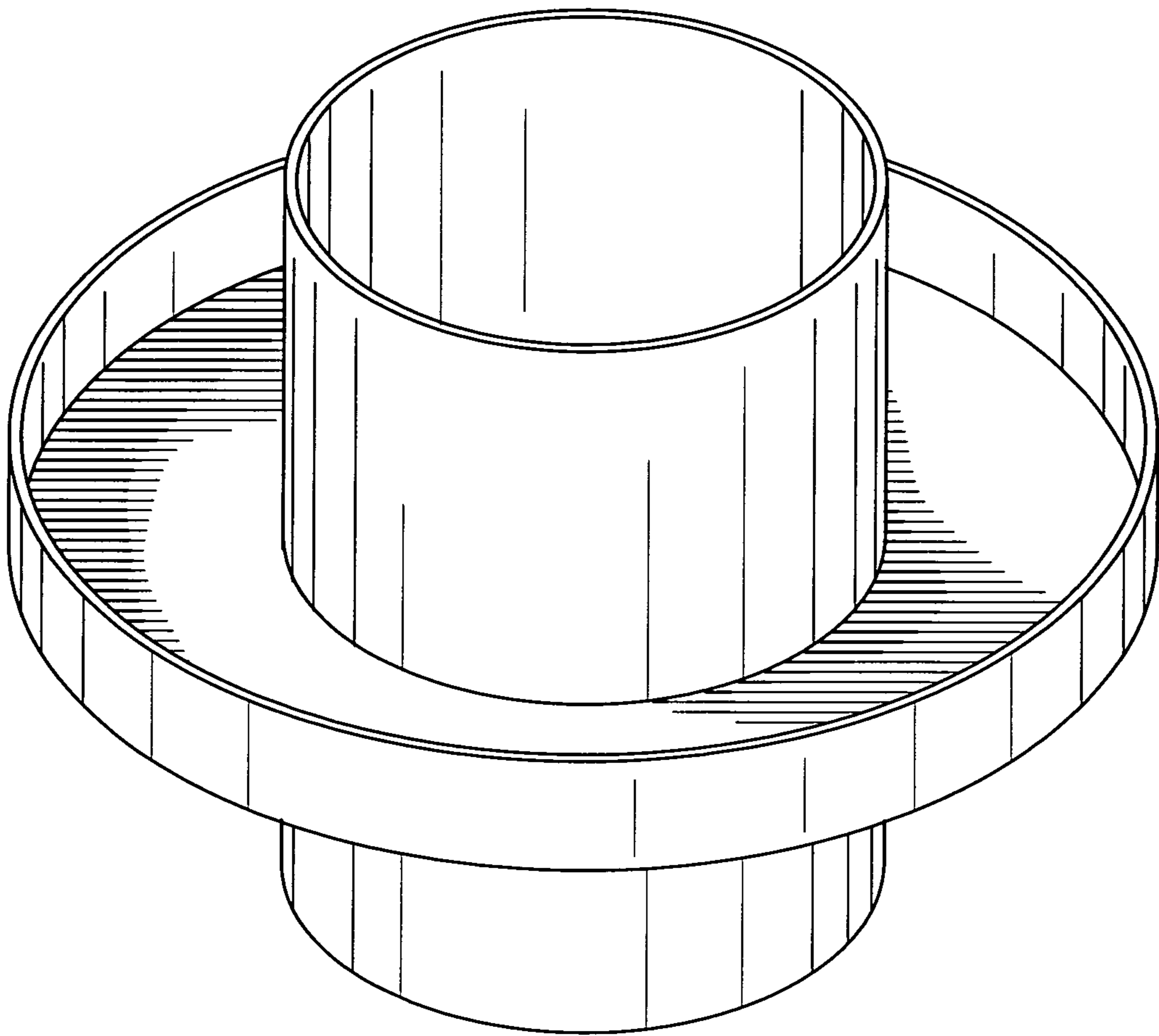


FIG. 11

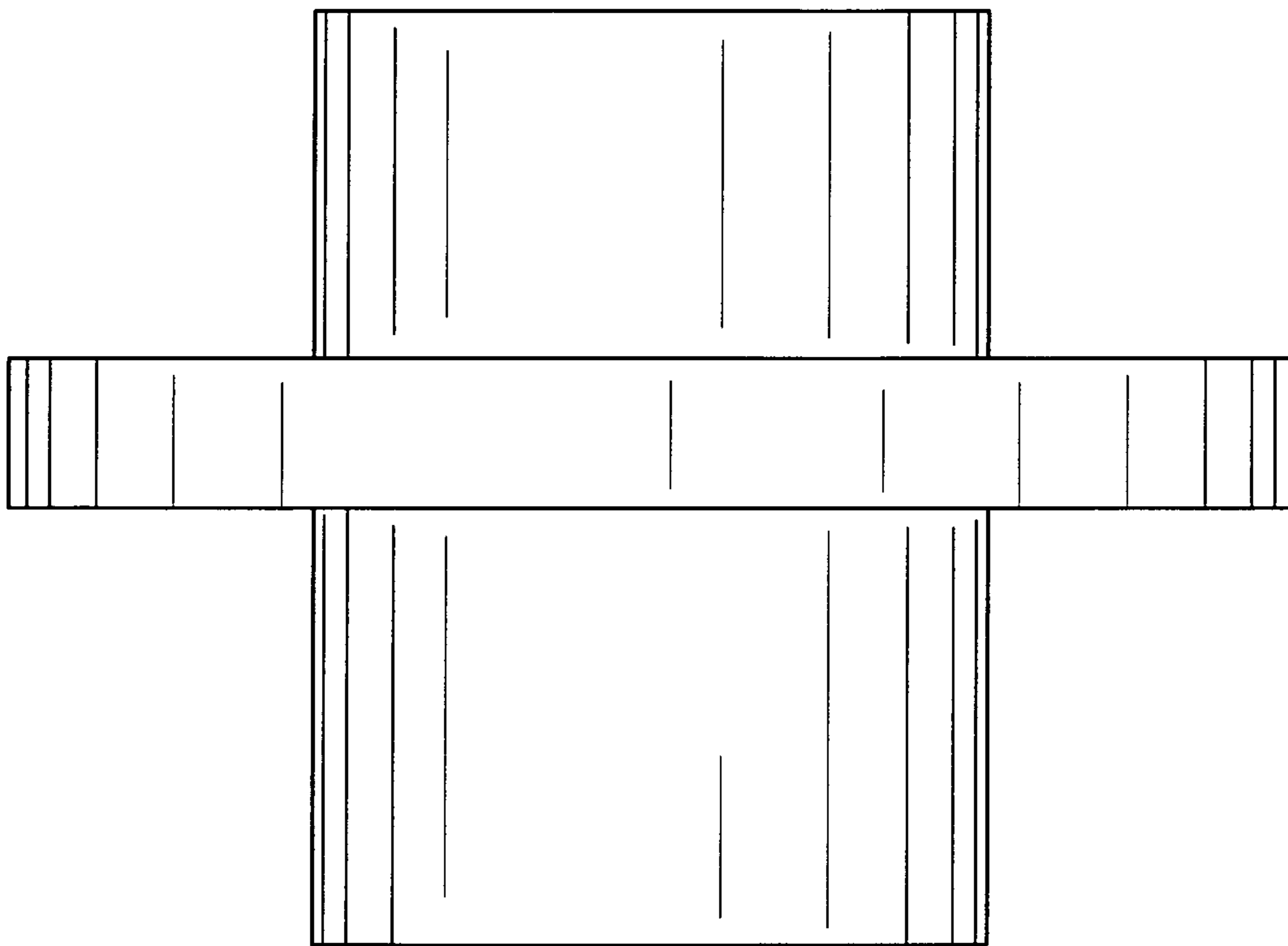


FIG. 12

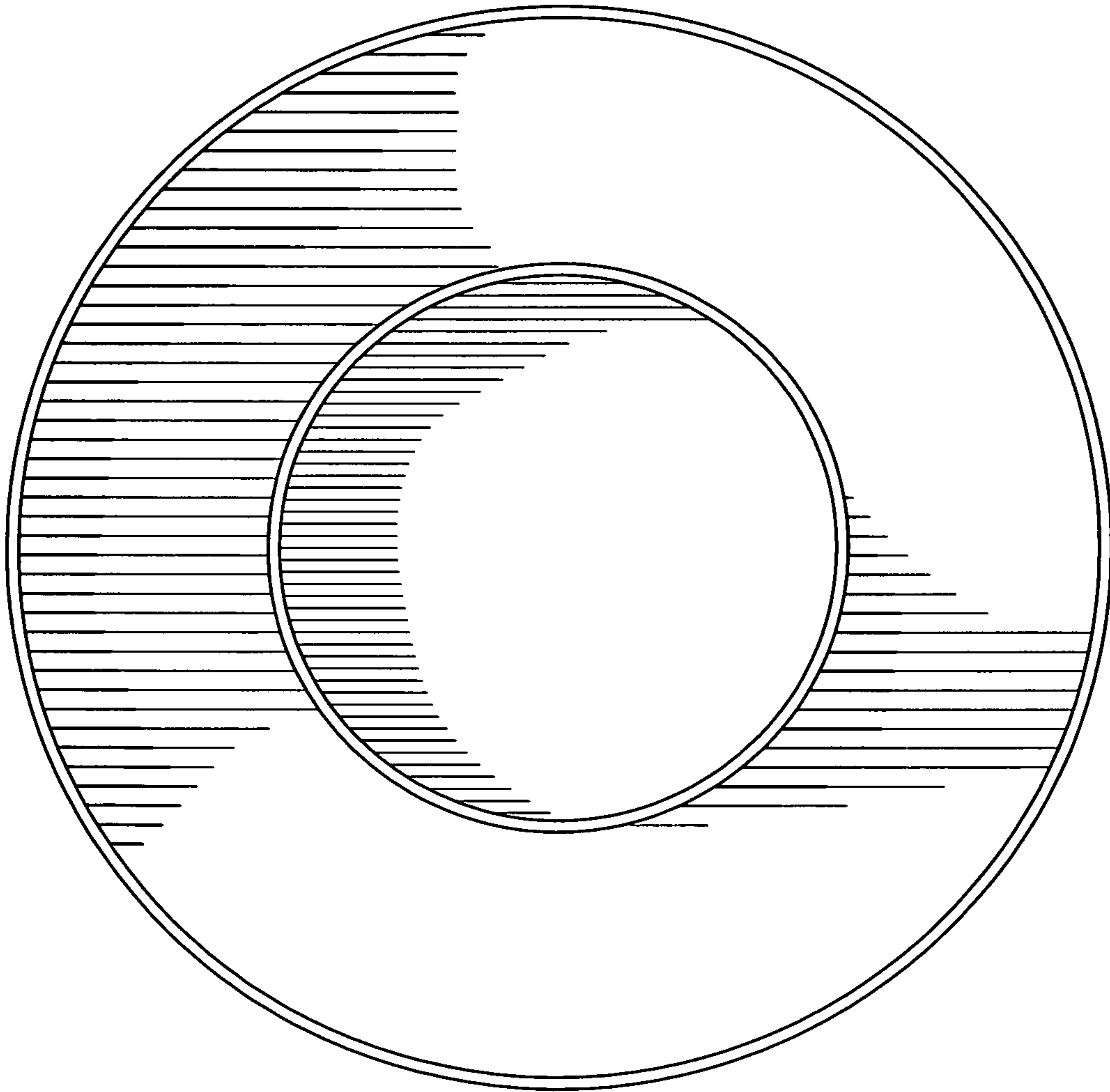


FIG. 13

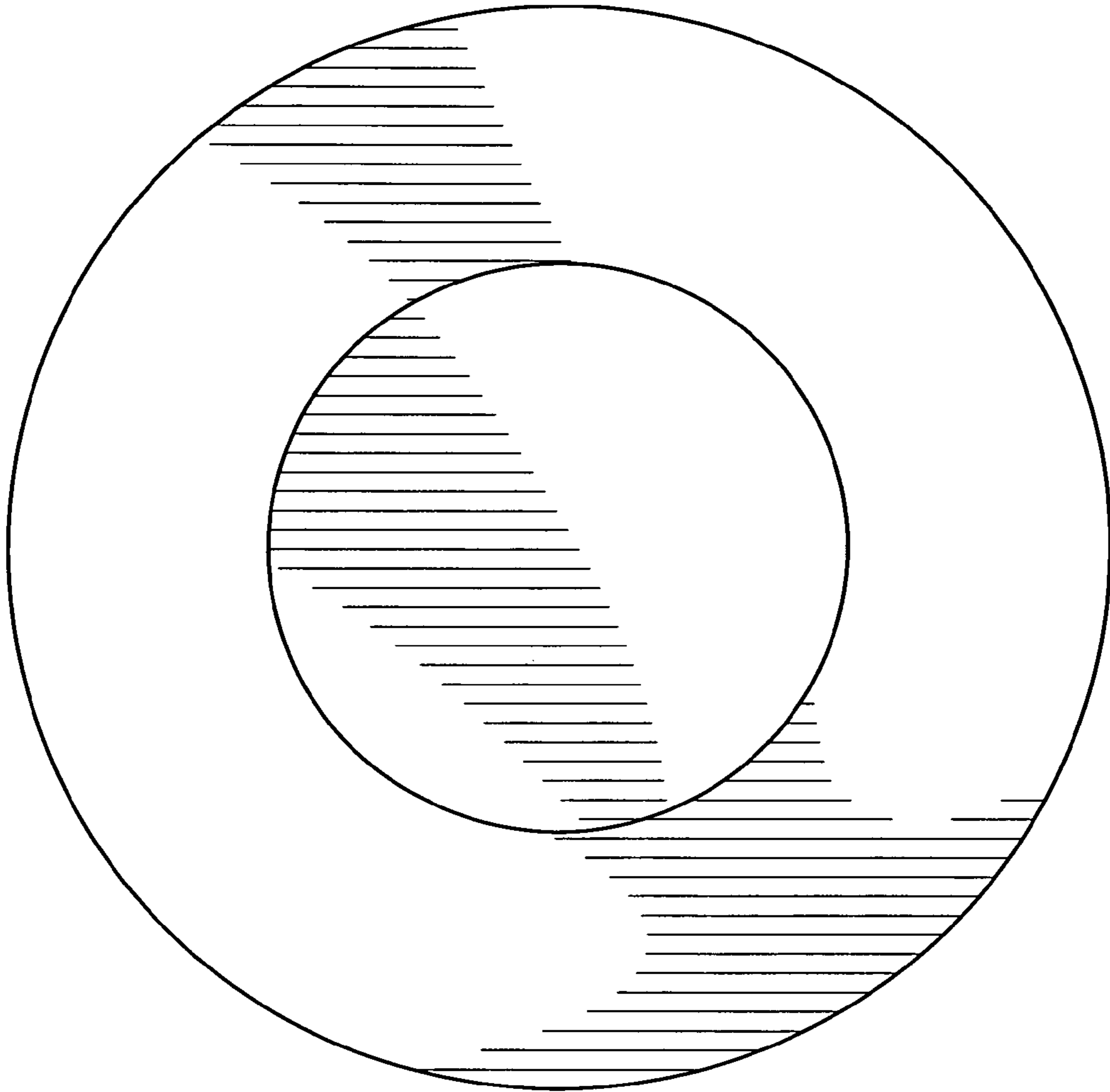


FIG. 14

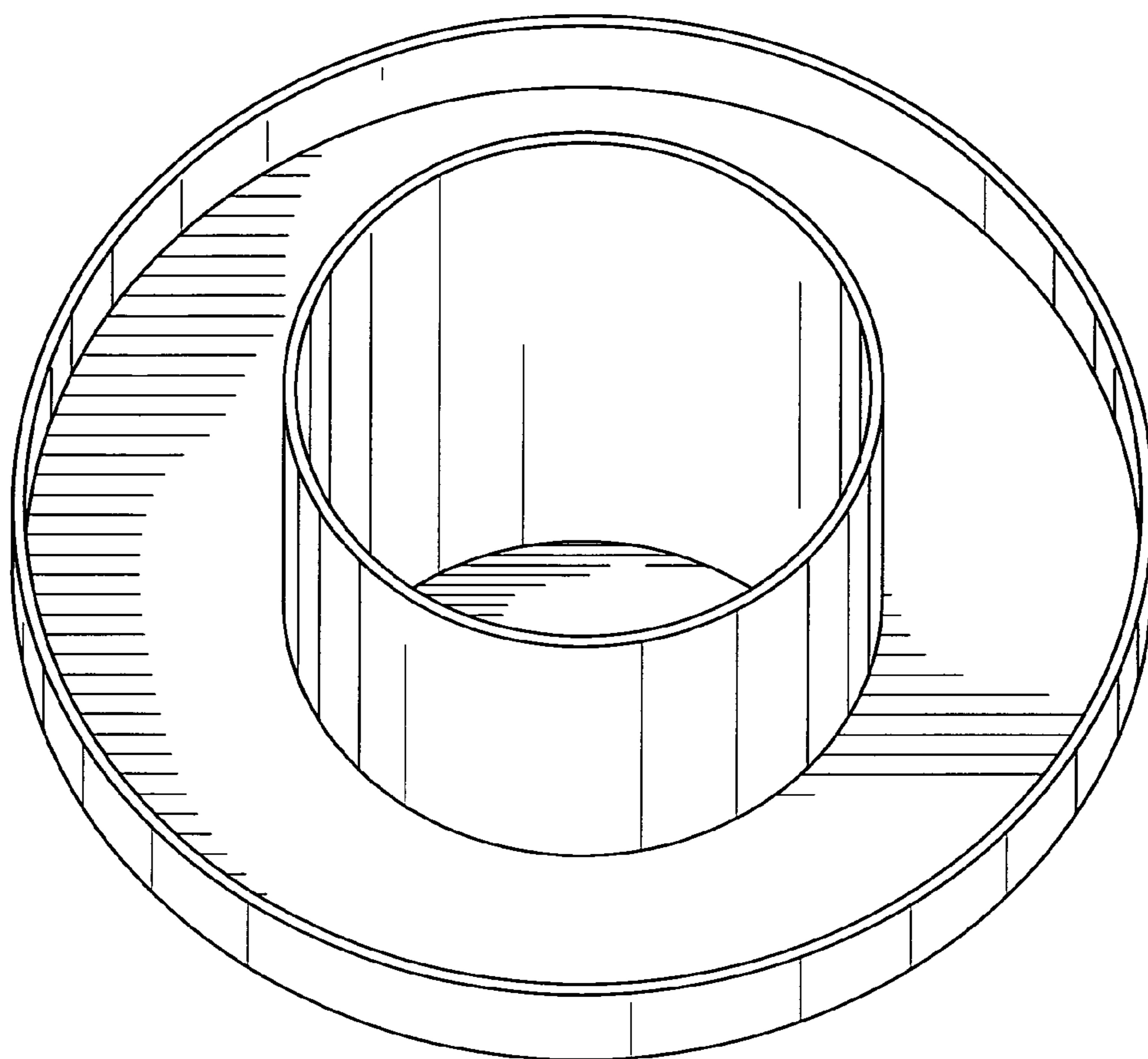


FIG. 15