



US00D688282S

(12) **United States Design Patent**
Lachmann et al.

(10) **Patent No.:** **US D688,282 S**

(45) **Date of Patent:** **** Aug. 20, 2013**

(54) **TOOL**

(76) Inventors: **Frank Friedrich Lachmann**, Burghaun
(DE); **Bernd Heinrich Ries**, Huenfeld
(DE)

(**) Term: **14 Years**

(21) Appl. No.: **29/428,971**

(22) Filed: **Aug. 6, 2012**

(30) **Foreign Application Priority Data**

Feb. 9, 2012 (EM) 001989518-0001
Feb. 9, 2012 (EM) 001989518-0002
Mar. 6, 2012 (EM) 002003731-0001
Mar. 6, 2012 (EM) 002003731-0002

(51) **LOC (9) Cl.** **15-08**

(52) **U.S. Cl.**
USPC **D15/140**; D8/71

(58) **Field of Classification Search**
USPC D8/70-74; D15/132, 138, 139, 140;
206/349; 209/106;
299/102-103, 105, 106-110; 408/204;
411/82.2, 82.5, 257, 258, 901-903, 914,
411/916, 930

See application file for complete search history.

(56) **References Cited**

U.S. PATENT DOCUMENTS

5,683,144 A 11/1997 Kammerer et al.
6,244,665 B1 * 6/2001 Bise et al. 299/106
6,644,755 B1 * 11/2003 Kammerer 299/104
7,300,115 B2 * 11/2007 Holl et al. 299/106
D567,270 S * 4/2008 Chiang D15/140
D574,689 S * 8/2008 Holl et al. D8/71

7,537,288 B2 * 5/2009 Chiang 299/102
7,547,075 B2 * 6/2009 Tewes et al. 299/106
D638,453 S 5/2011 Buhr et al.
D666,643 S 9/2012 Buhr et al.
2006/0119165 A1 * 6/2006 Holl et al. 299/106
2009/0085396 A1 * 4/2009 Chiang 299/102
2011/0006588 A1 * 1/2011 Monyak et al. 299/107
2011/0148178 A1 6/2011 Lehnert et al.
2011/0148179 A1 6/2011 Lehnert et al.
2012/0174366 A1 7/2012 Hahn et al.

FOREIGN PATENT DOCUMENTS

DE 19902766 A1 8/2000
DE 20121298 U1 9/2002
DE 102005001536 B3 1/2006
DE 202005001311 U1 3/2006

(Continued)

Primary Examiner — Patricia Palasik

(74) *Attorney, Agent, or Firm* — Dean W. Russell; Michael
A. Bertelson; Kilpatrick Townsend & Stockton LLP

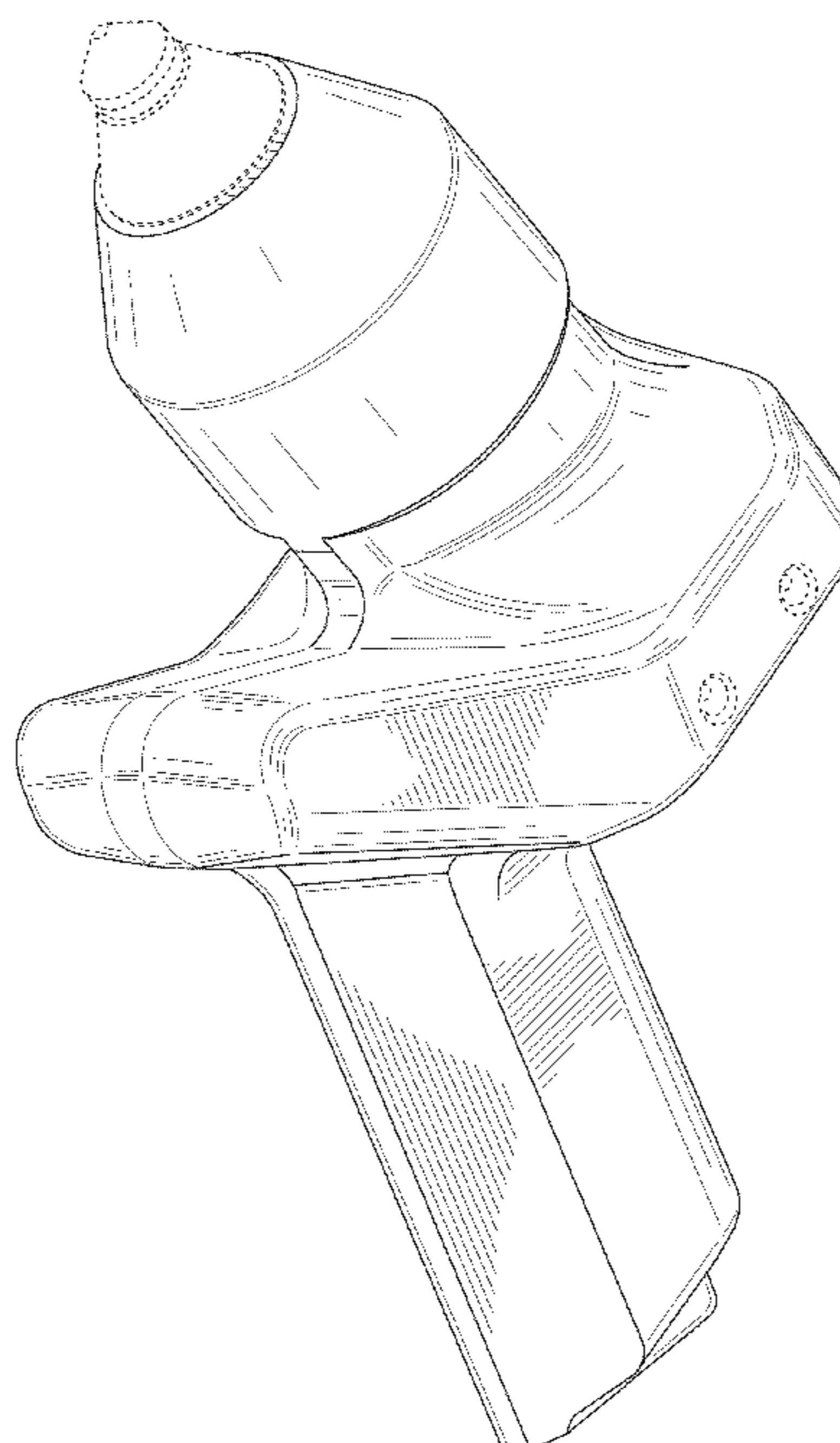
(57) **CLAIM**

The ornamental design for a tool, as shown and described.

DESCRIPTION

FIG. 1 is a perspective view of a tool.
FIG. 2 is another perspective view of the tool of FIG. 1.
FIG. 3 is another perspective view of the tool of FIG. 1.
FIG. 4 is a front view of the tool of FIG. 1.
FIG. 5 is a rear view of the tool of FIG. 1.
FIG. 6 is a right side view of the tool of FIG. 1.
FIG. 7 is a left side view of the tool of FIG. 1.
FIG. 8 is a top view of the tool of FIG. 1; and,
FIG. 9 is a bottom view of the tool of FIG. 1.
The broken lines illustrate environment and boundaries of the
claimed design, and form no part of the claimed design.

1 Claim, 9 Drawing Sheets



(56)

References Cited

FOREIGN PATENT DOCUMENTS

DE	102004044897	B3	6/2006
DE	102007030640	B3	10/2008
DE	102008045825	B3	5/2010
DE	102009059188	A1	6/2011
DE	102009059189	A1	6/2011
EM	0002555340001		2/2005
EM	0002555340002		2/2005
EM	0002555340003		2/2005
EM	0002555340004		2/2005
EM	0004931350001		4/2006
EM	0004931350002		4/2006
EM	0004931350003		4/2006
EM	0004931430001		4/2006
EM	0004931430002		4/2006
EM	0004931430003		4/2006

EM	0004931500001		4/2006
EM	0004931500002		4/2006
EM	0004931500003		4/2006
EP	1319801	B1	6/2003
EP	1509680	B1	3/2005
EP	1579105	B1	9/2005
EP	1851411	A1	11/2007
EP	2011961	A2	1/2009
EP	2128381	A2	12/2009
EP	2161375	A2	3/2010
EP	2318656		5/2011
EP	2336488	A2	6/2011
EP	2336489	A2	6/2011
WO	03098001		11/2003
WO	2006079389	A1	8/2006
WO	2010025788	A1	3/2010

* cited by examiner

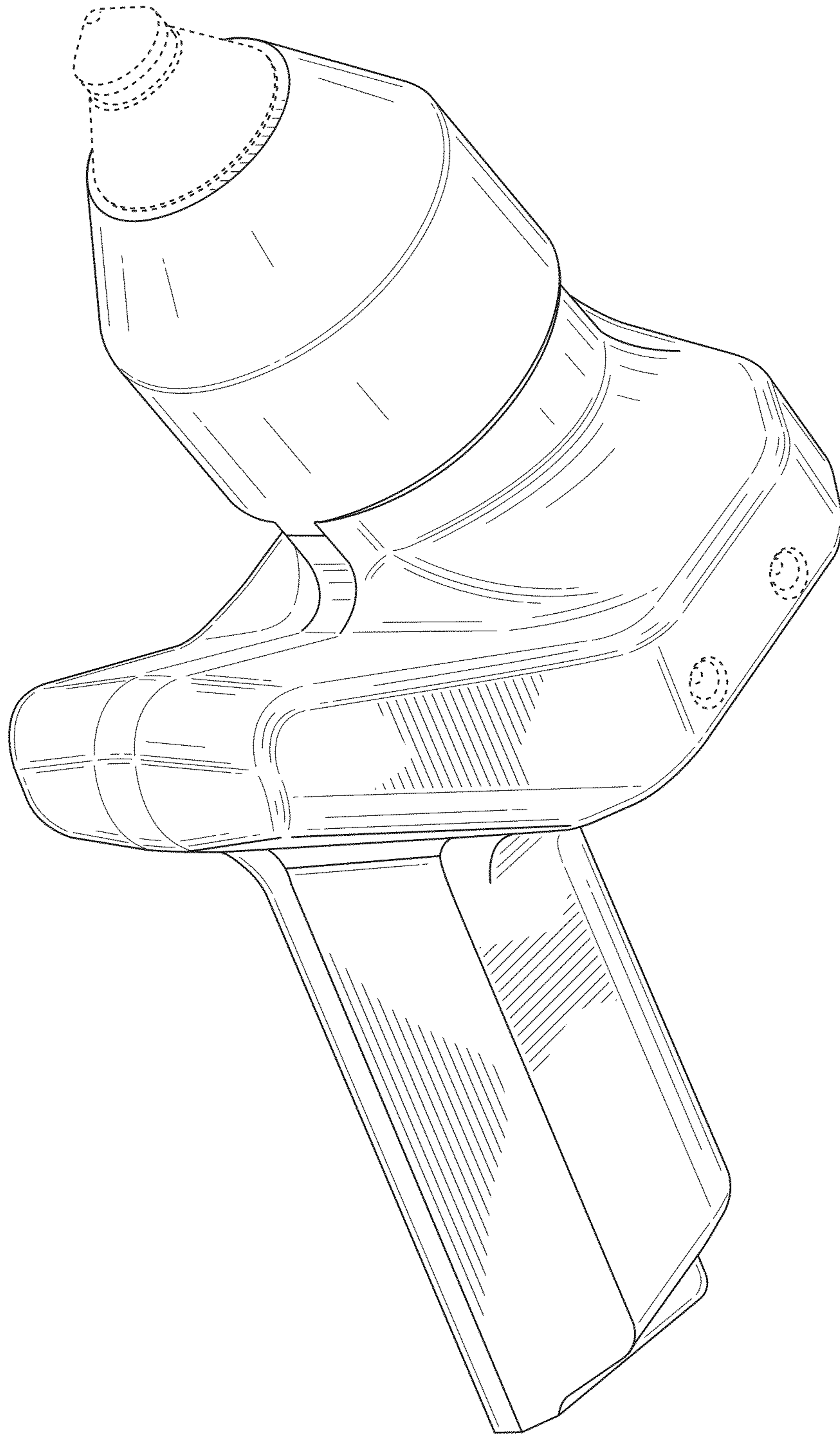


FIG. 1

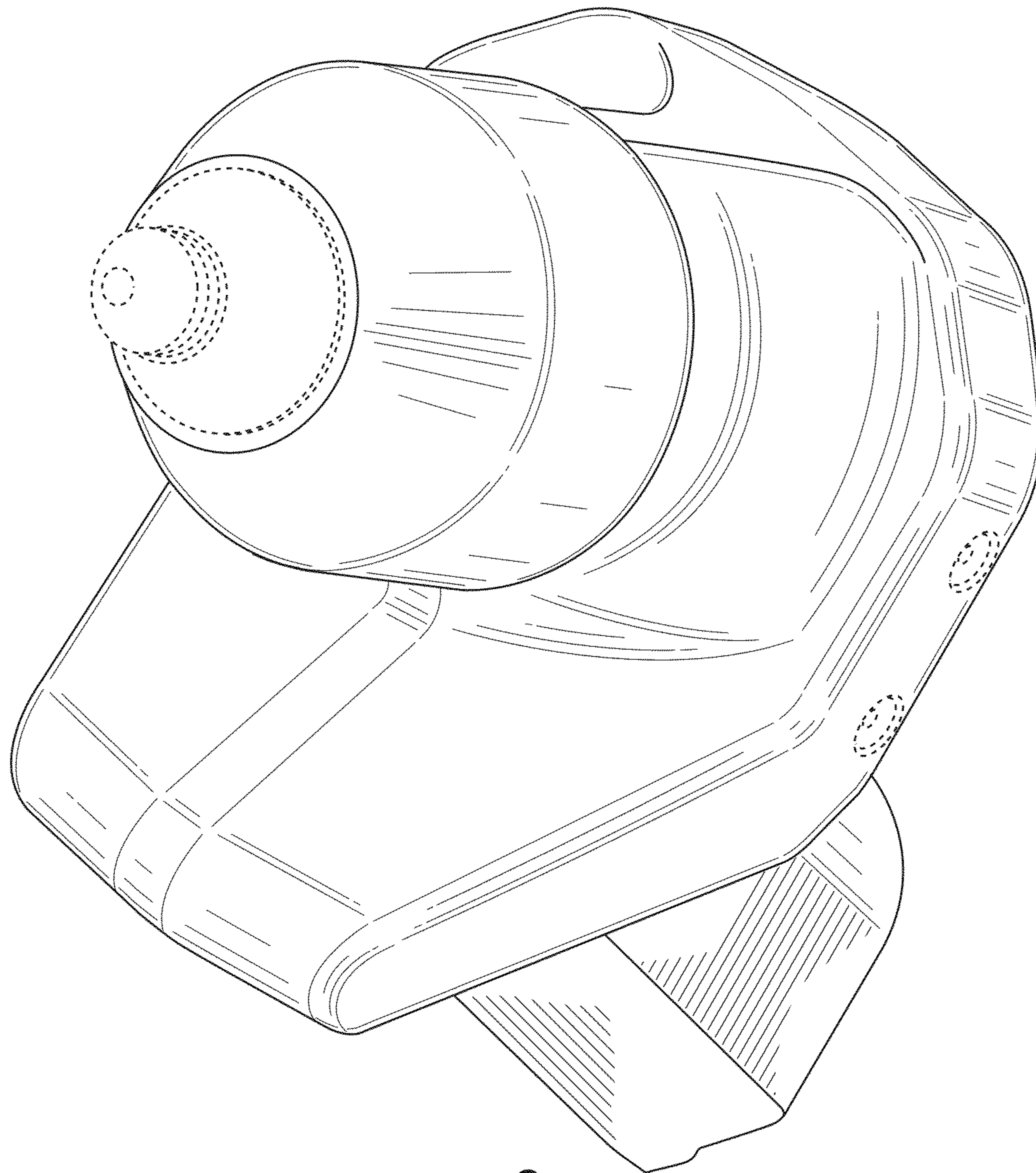


FIG. 2

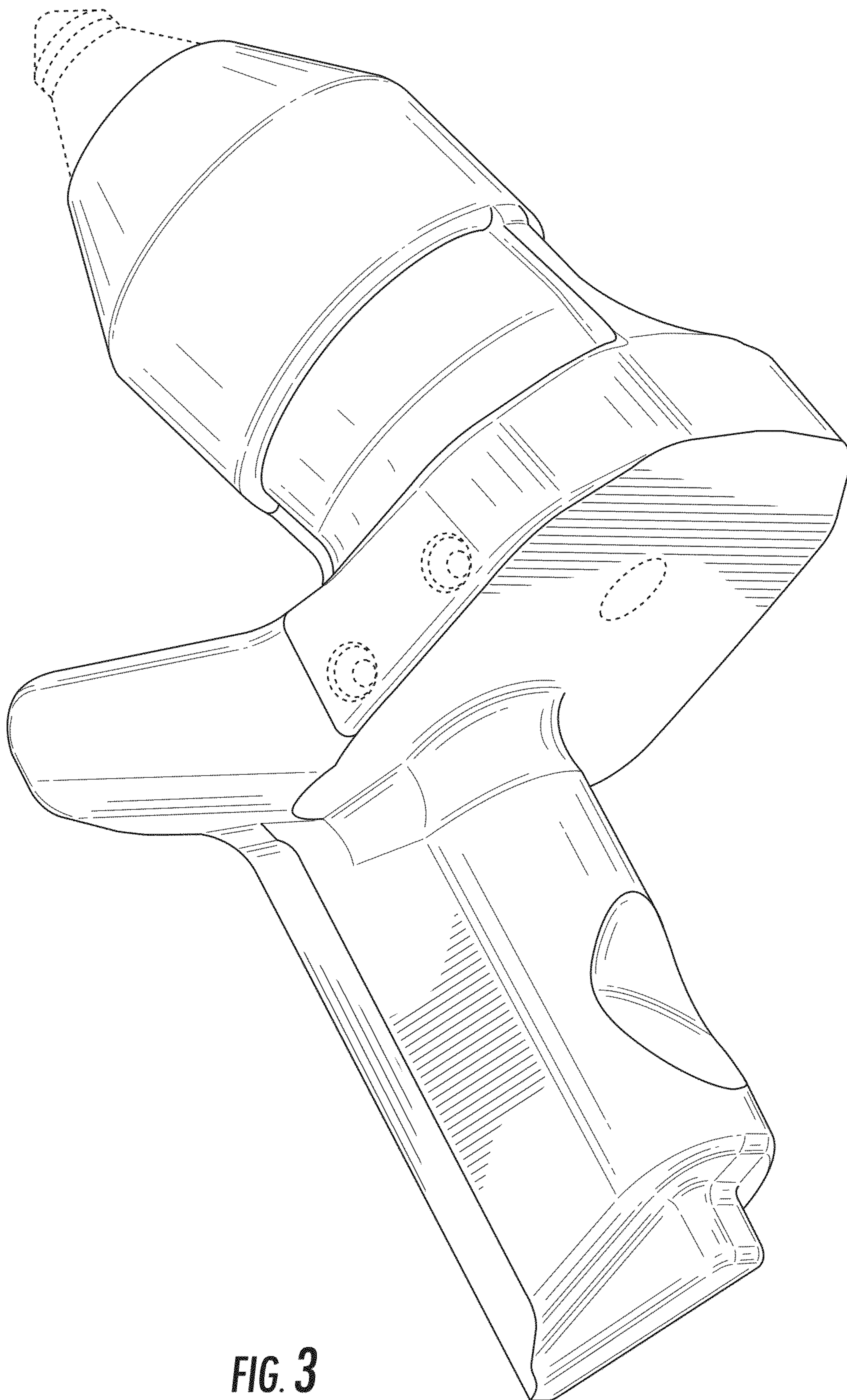


FIG. 3

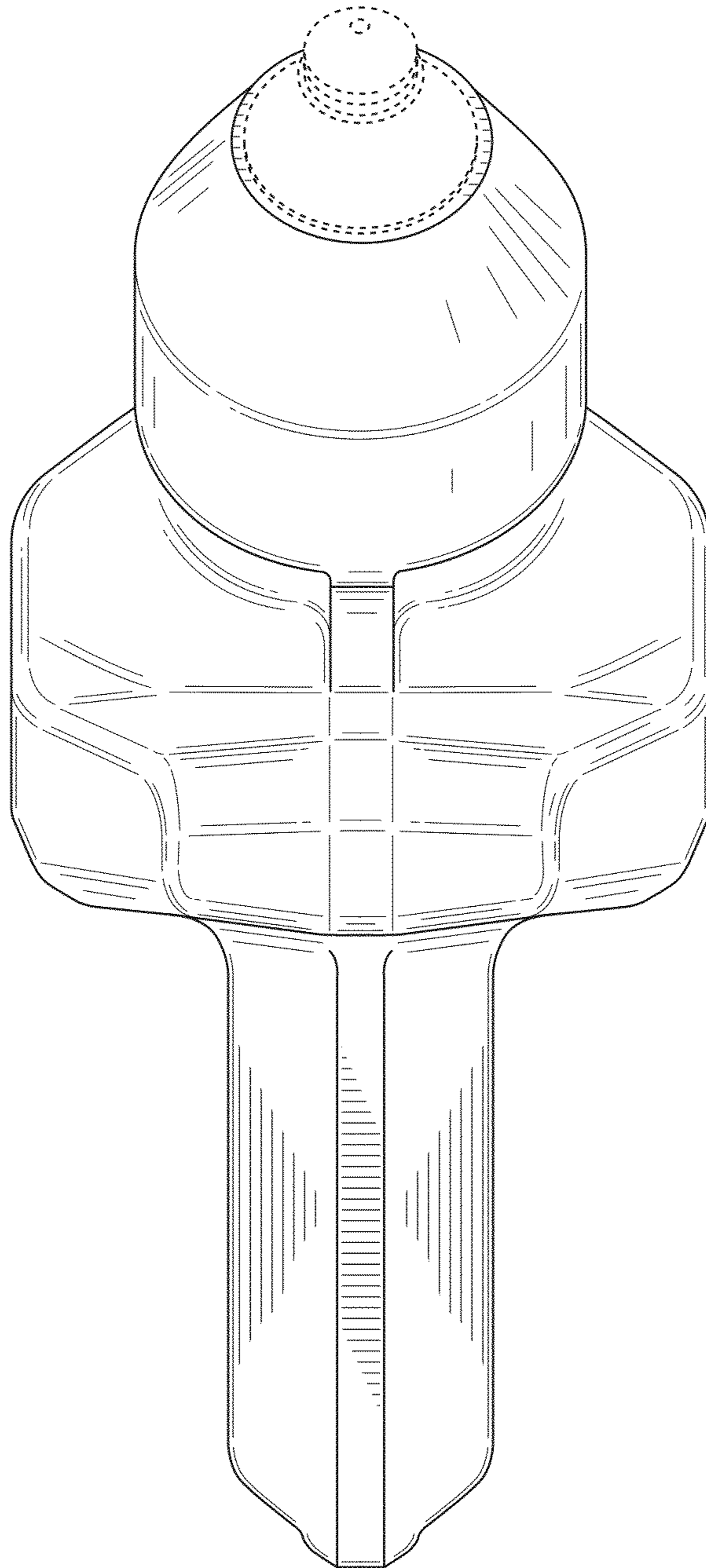


FIG. 4

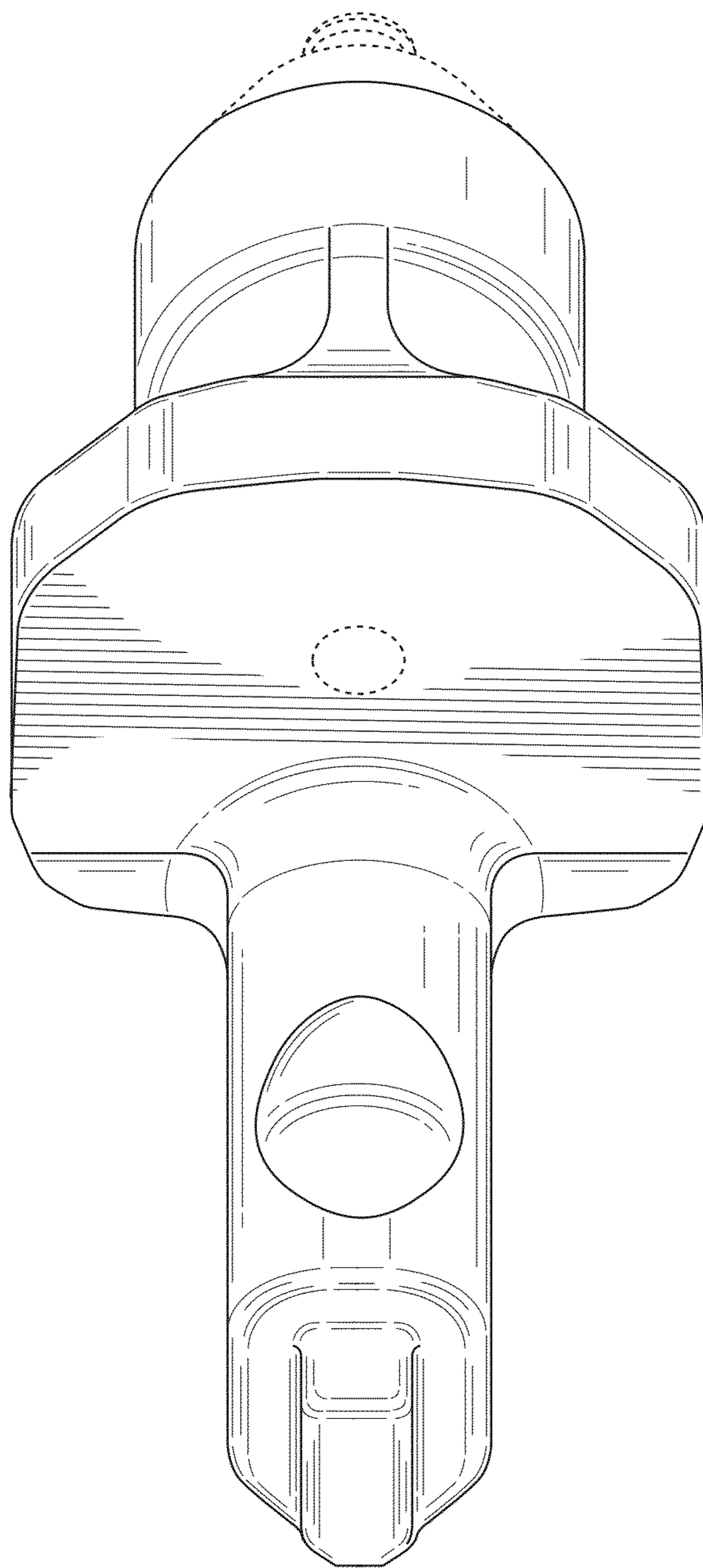


FIG. 5

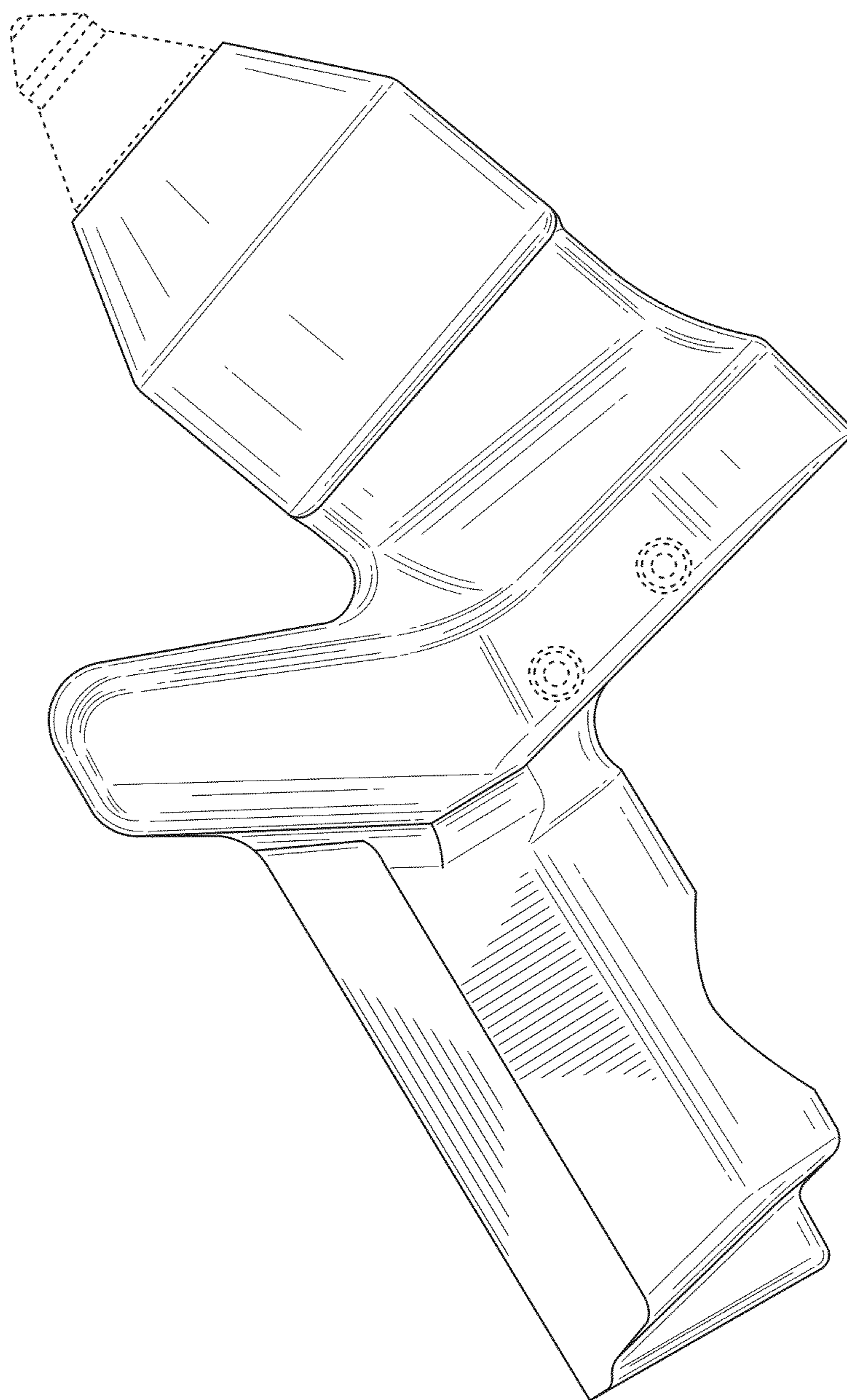


FIG. 6

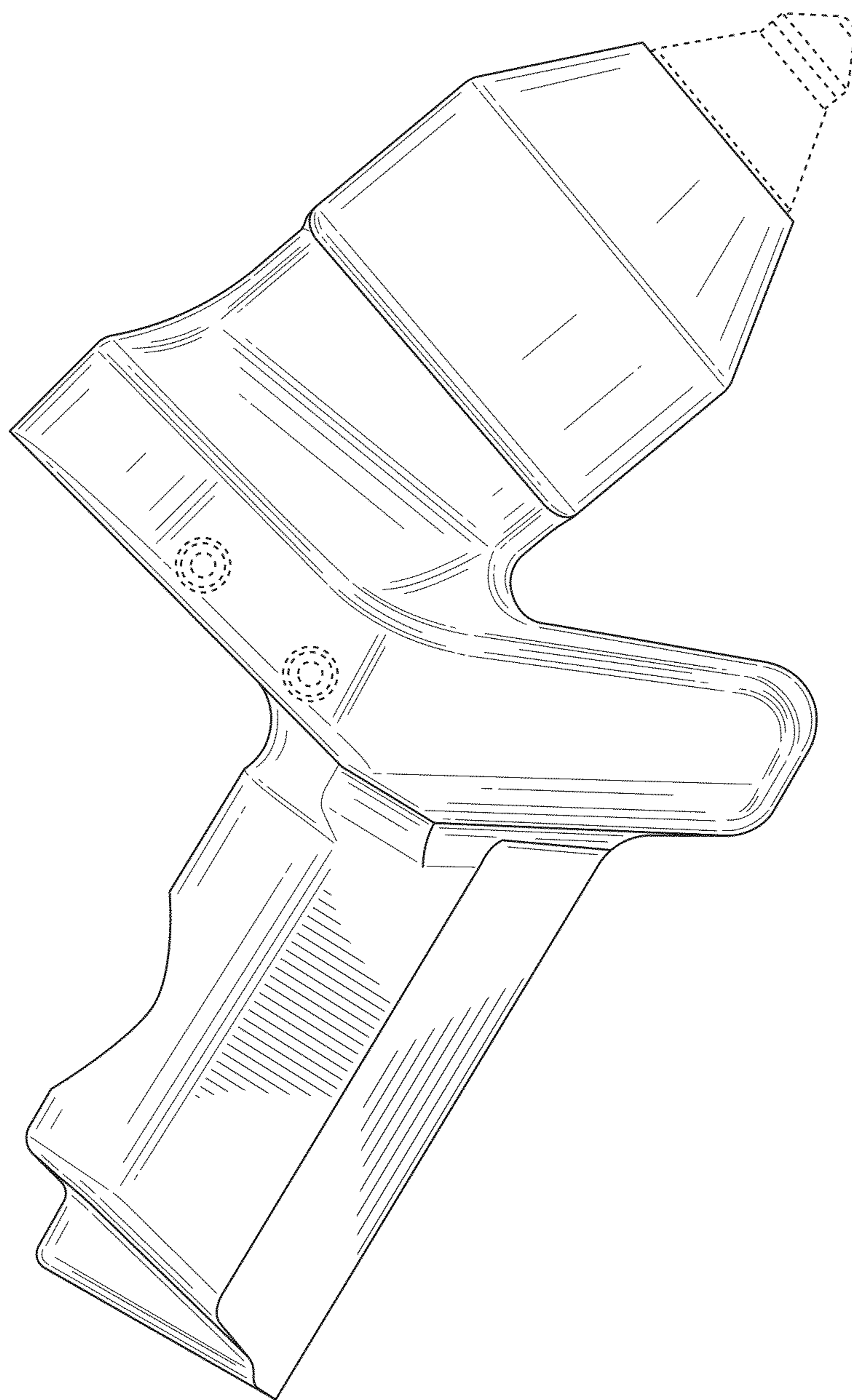


FIG. 7

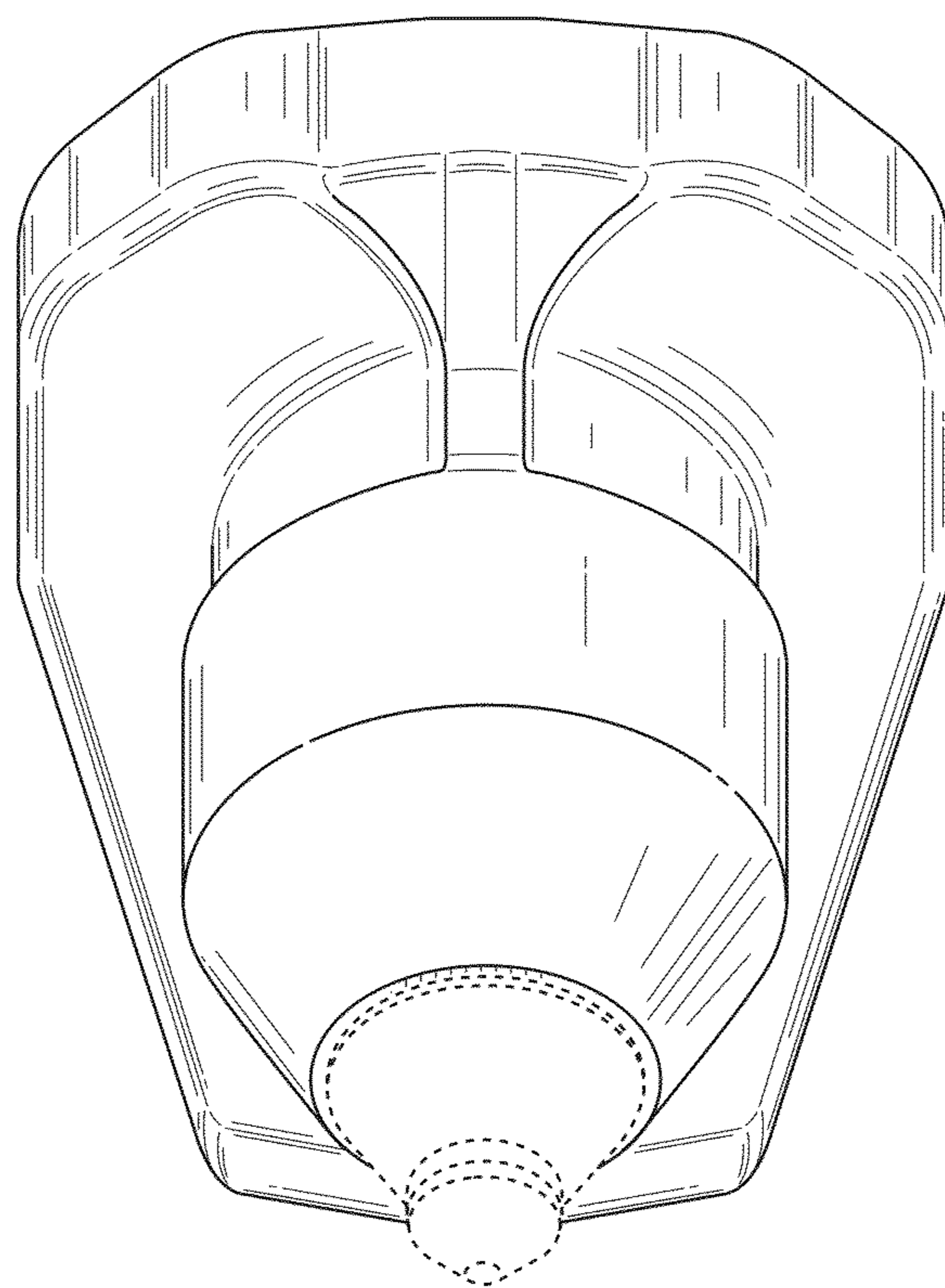


FIG. 8

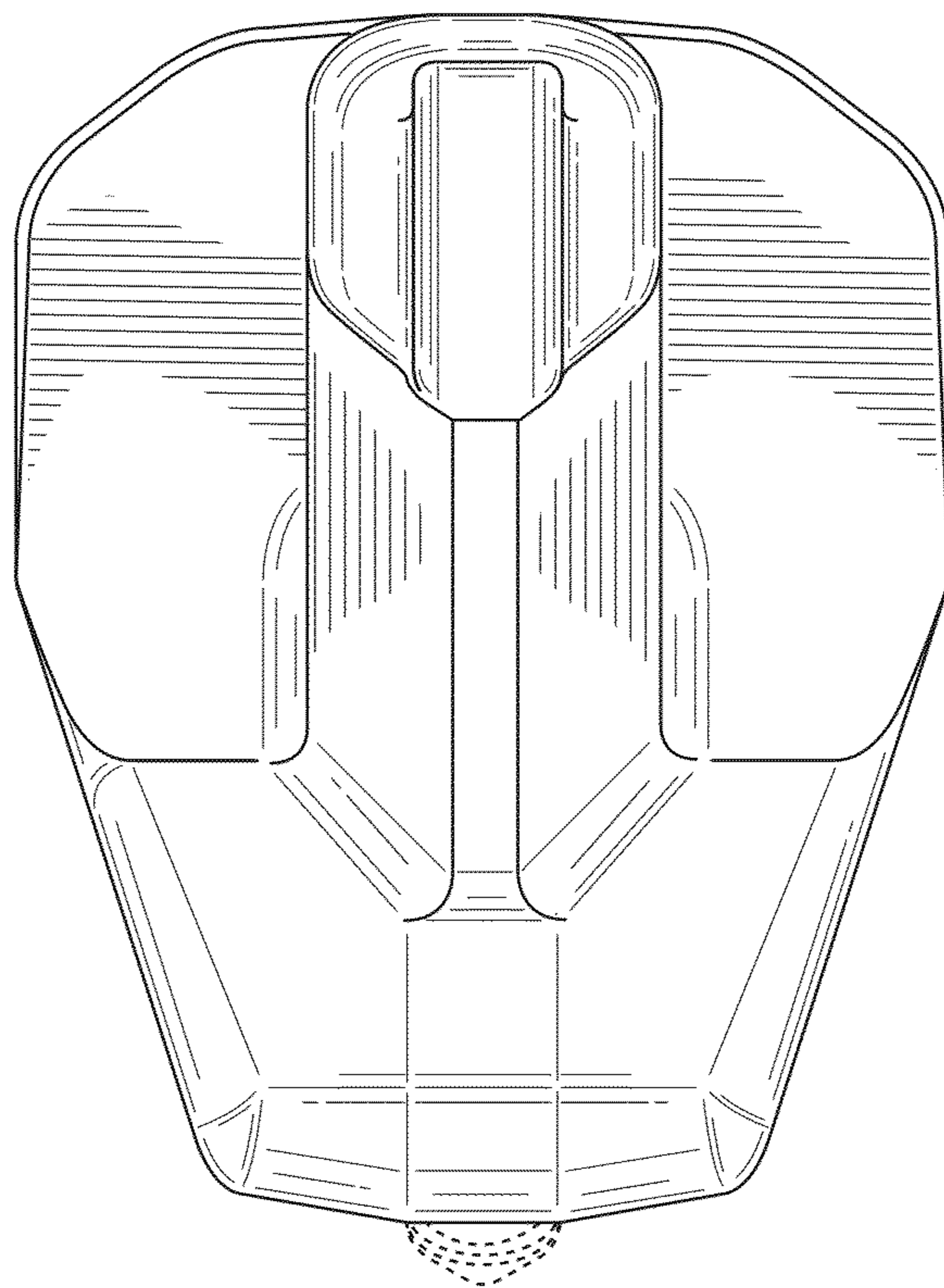


FIG. 9