



US00D688281S

(12) **United States Design Patent**  
**Lu**

(10) **Patent No.:** **US D688,281 S**

(45) **Date of Patent:** **\*\* Aug. 20, 2013**

(54) **DIE SET BLADE WITH A DOVETAILED WAVEFORM CUTTING EDGE**

(75) Inventor: **Chi-Ming Lu**, Kaohsiung (TW)

(73) Assignee: **JR DE Exact Industrial Co., Ltd.**,  
Kaohsiung (TW)

(\*\*) Term: **14 Years**

(21) Appl. No.: **29/431,229**

(22) Filed: **Sep. 5, 2012**

(30) **Foreign Application Priority Data**

Mar. 6, 2012 (TW) ..... 101301201

(51) **LOC (9) Cl.** ..... **15-09**

(52) **U.S. Cl.**  
USPC ..... **D15/139; D15/136**

(58) **Field of Classification Search**  
USPC ..... D8/16, 19, 20, 60, 64, 66, 70, 71,  
D8/90-99; D15/127, 133, 136, 138, 139,  
D15/140; D22/117, 118; D24/146, 147;  
7/118, 148; 30/142, 144, 165, 166.3, 272.1,  
30/307, 314, 320, 346, 346.5, 346.6, 347,  
30/349, 351, 355, 357, 388-391, 663, 676,  
30/835-838, 846-855; 83/338, 678;  
125/13.01, 15, 22; 144/174, 176, 373;  
241/242, 291, 526.1, 533.2, 541  
See application file for complete search history.

(56) **References Cited**

**U.S. PATENT DOCUMENTS**

D204,044 S \* 3/1966 Hawkins ..... D6/470  
D338,607 S \* 8/1993 Anderson ..... D8/98  
D358,643 S \* 5/1995 Knepshield et al. .... D24/146

D487,098 S \* 2/2004 Arfstrom et al. .... D15/17  
D513,273 S \* 12/2005 Sollami ..... D15/139  
D520,203 S \* 5/2006 Hardy et al. .... D32/46  
D555,443 S \* 11/2007 Hunt ..... D8/20  
D584,465 S \* 1/2009 Zach et al. .... D32/45  
D602,752 S \* 10/2009 Luciano et al. .... D8/20  
D608,376 S \* 1/2010 Wilson ..... D15/134  
D617,350 S \* 6/2010 Cummings ..... D15/11  
D637,876 S \* 5/2011 Williams ..... D8/20  
D637,880 S \* 5/2011 Kenny et al. .... D8/70

\* cited by examiner

*Primary Examiner* — Patricia Palasik

(74) *Attorney, Agent, or Firm* — Muncy, Geissler, Olds & Lowe, PLLC

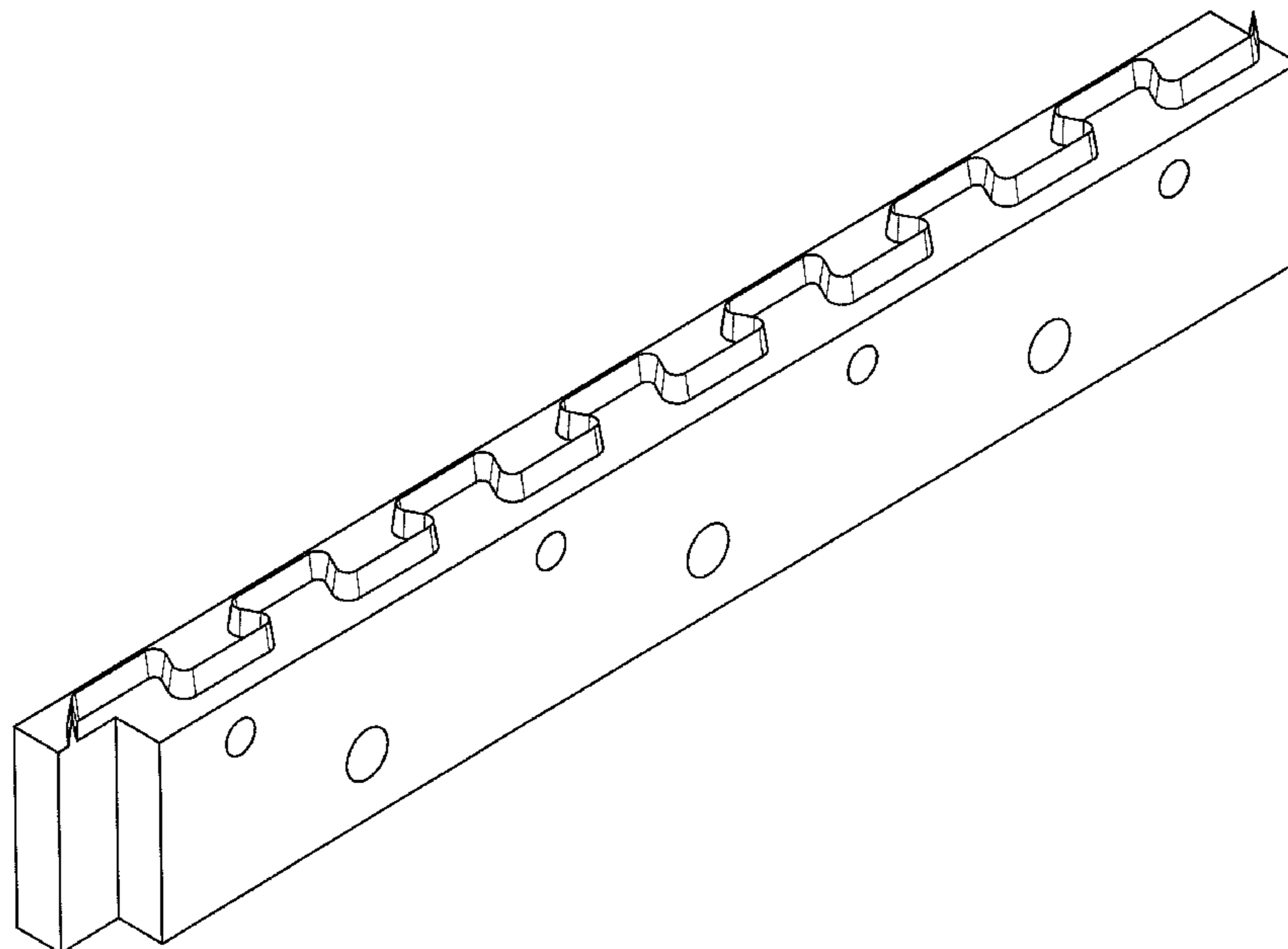
(57) **CLAIM**

The ornamental design for a die set blade with a dovetailed waveform cutting edge, as shown and described.

**DESCRIPTION**

FIG. 1 is a perspective view of a die set blade showing my new design;  
FIG. 2 is a front view of the article shown in FIG. 1;  
FIG. 3 is a rear view of the article shown in FIG. 1;  
FIG. 4 is a left side view of the article shown in FIG. 1;  
FIG. 5 is a right side view of the article shown in FIG. 1;  
FIG. 6 is a top view of the article shown in FIG. 1;  
FIG. 7 is a bottom view of the article shown in FIG. 1; and,  
FIG. 8 is a schematic figure of a die set blade with the die assembly shown in broken lines illustrating a practical application of the article shown in FIG. 1.  
The broken lines in the drawings depict unclaimed environmental subject matter.

**1 Claim, 5 Drawing Sheets**



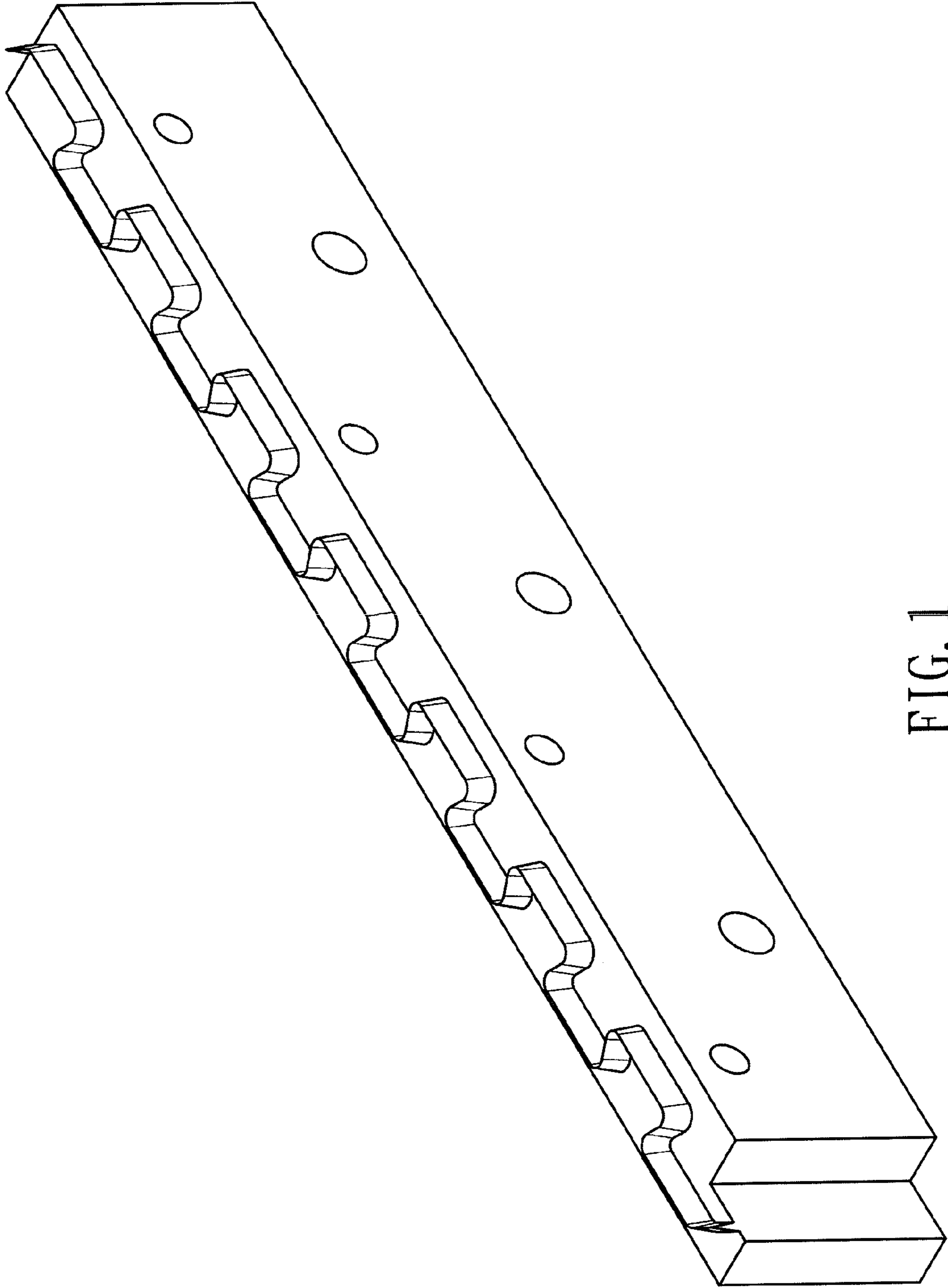


FIG. 1

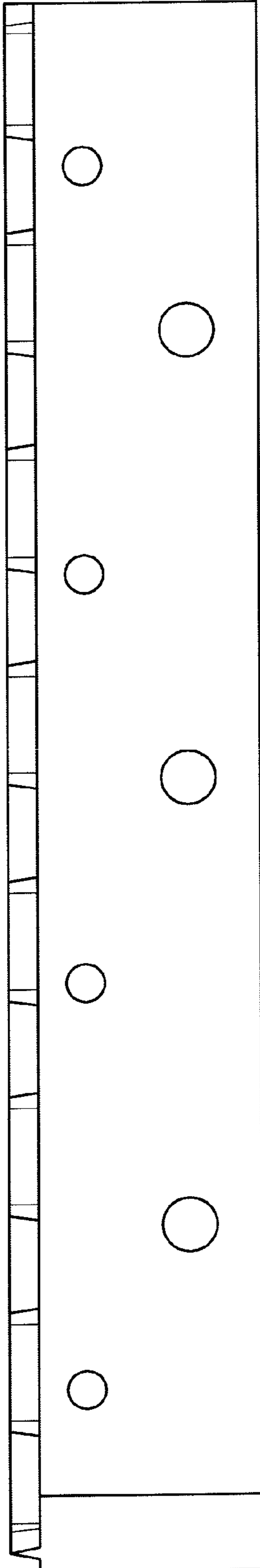


FIG. 2

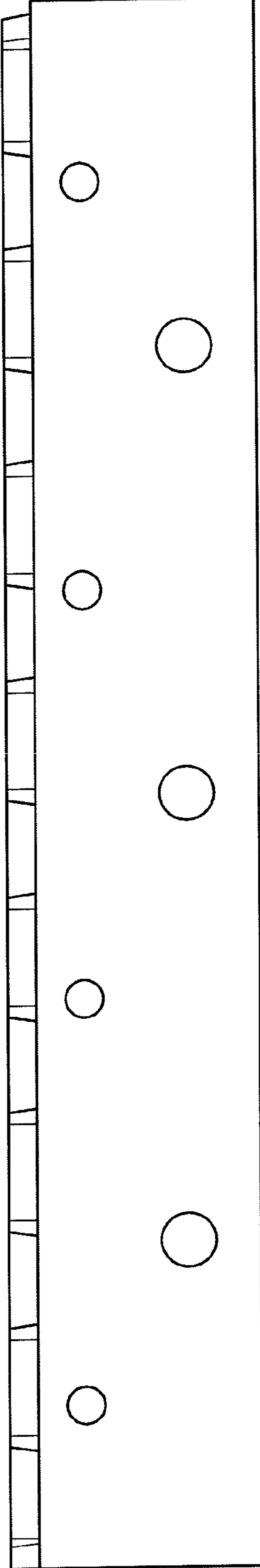


FIG. 3

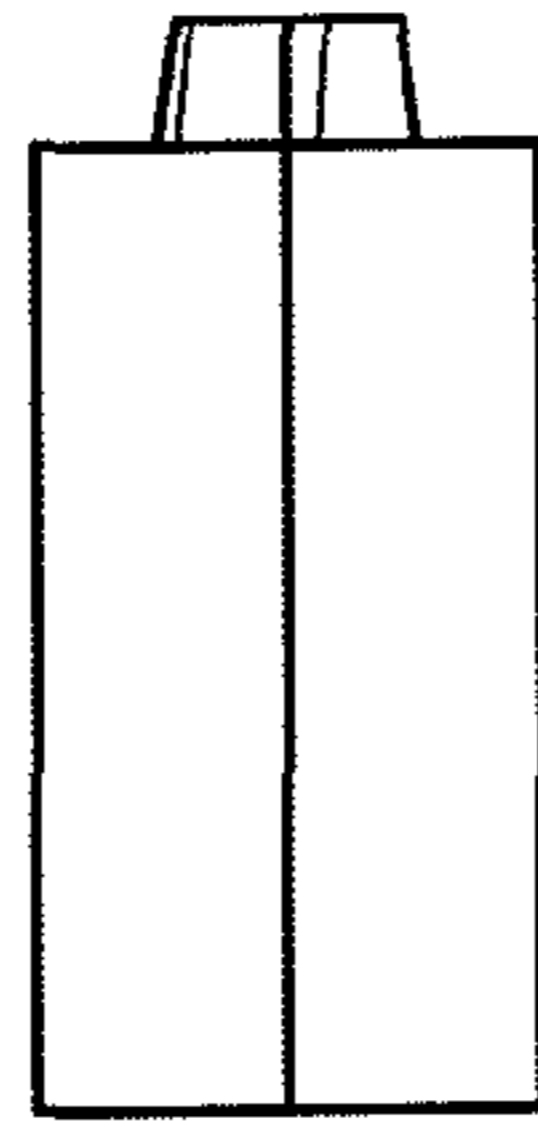


FIG. 4

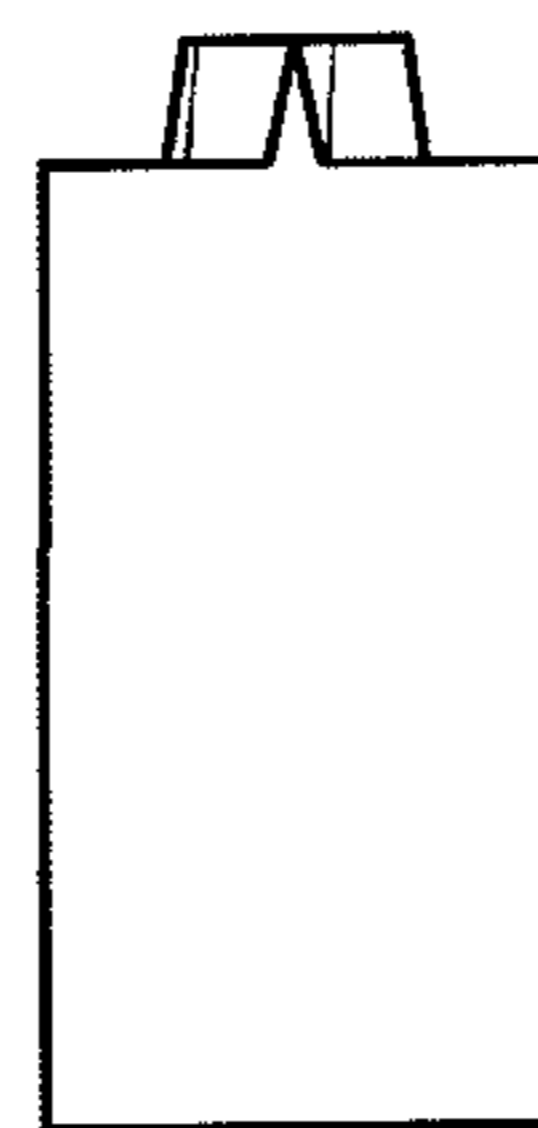


FIG. 5

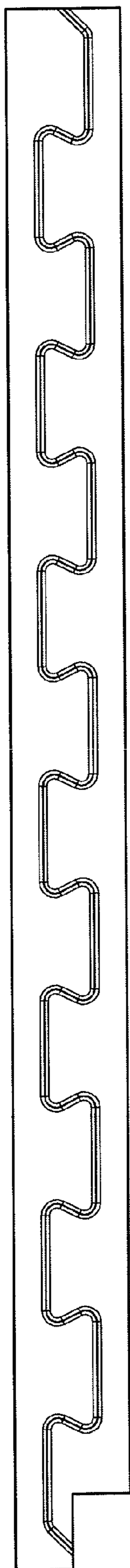


FIG. 6

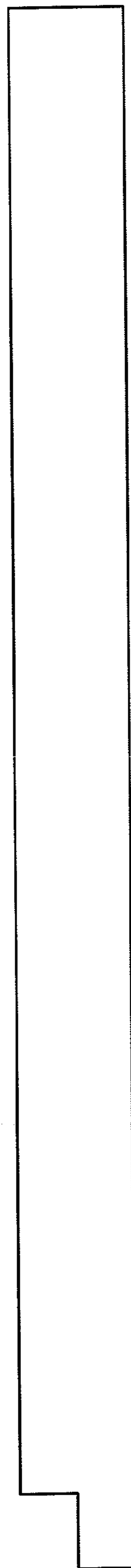


FIG. 7

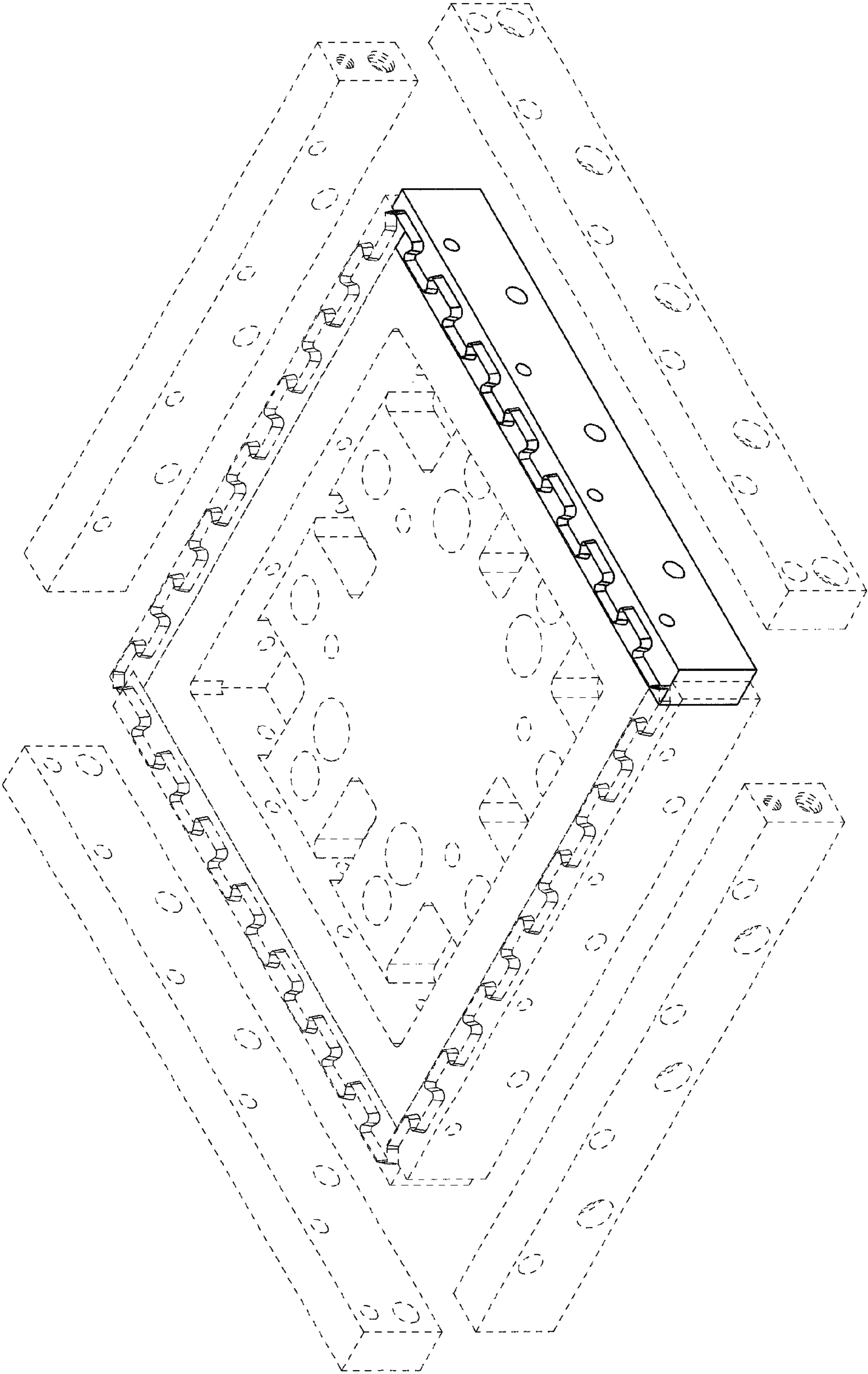


FIG. 8