



US00D688273S

(12) **United States Design Patent**
Magri

(10) **Patent No.:** **US D688,273 S**

(45) **Date of Patent:** **** Aug. 20, 2013**

(54) **PISTON PUMP**

(75) Inventor: **Maurizio Magri**, Modena (IT)

(73) Assignee: **Annovi Reverberi S.p.A.**, Modena (IT)

(**) Term: **14 Years**

(21) Appl. No.: **29/425,286**

(22) Filed: **Jun. 21, 2012**

(30) **Foreign Application Priority Data**

Jan. 26, 2012 (EM) 001981598-0001

(51) **LOC (9) Cl.** **15-02**

(52) **U.S. Cl.**
USPC **D15/7**

(58) **Field of Classification Search**
USPC D15/7-9; D23/231, 232, 225; 417/60,
417/235, 265, 321, 355, 358, 363, 359, 410.1,
417/415-416, 405, 900; 60/408, 412;
184/26-37; 415/140-147; 123/495, 509
See application file for complete search history.

(56) **References Cited**

U.S. PATENT DOCUMENTS

D245,779 S * 9/1977 Nobata D15/9
D250,113 S * 10/1978 Nobata D15/9

D536,005 S * 1/2007 Reverberi D15/5
D538,824 S * 3/2007 Tojo D15/7
D613,765 S * 4/2010 Reverberi et al. D15/5
D613,766 S * 4/2010 Reverberi et al. D15/5
D613,769 S * 4/2010 Kitamura et al. D15/7
D613,770 S * 4/2010 Kitamura et al. D15/7
D613,771 S * 4/2010 Gaertner D15/7
D616,467 S * 5/2010 Reverberi et al. D15/5

* cited by examiner

Primary Examiner — Ralf Seifert

(74) *Attorney, Agent, or Firm* — Volpe and Koenig, P.C.

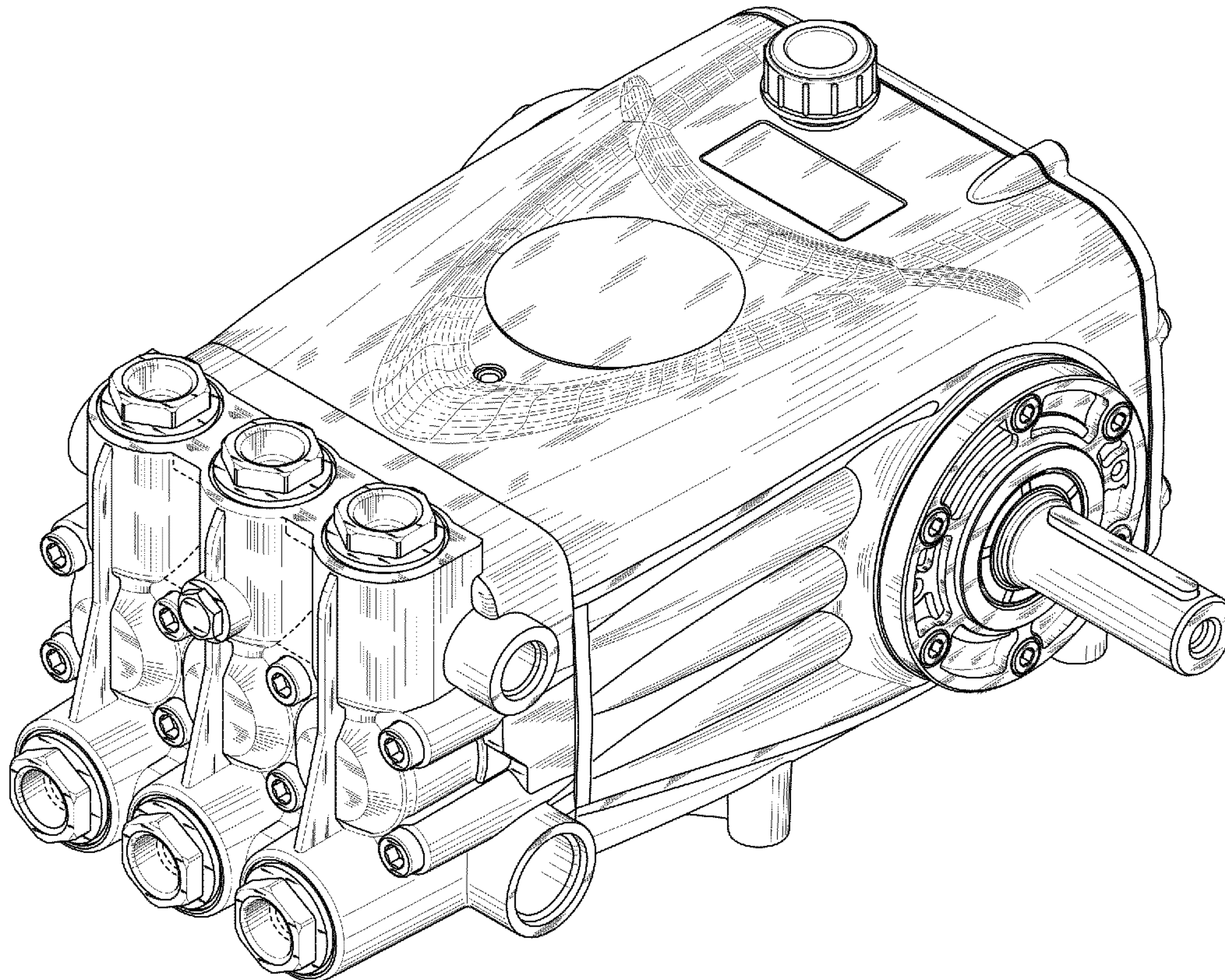
(57) **CLAIM**

The ornamental design for piston pump, as shown and described.

DESCRIPTION

FIG. 1 is a front view of the piston pump of my design; FIG. 2 is a rear view of the piston pump of FIG. 1; FIG. 3 is a bottom view of the piston pump of FIG. 1; FIG. 4 is a top plan view of the piston pump of FIG. 1; FIG. 5 is a left elevation of the piston pump of FIG. 1; FIG. 6 is a right elevation of the piston pump of FIG. 1; and, FIG. 7 is a perspective view of the piston pump of FIG. 1. The broken lines in FIGS. 1, 2, 3, 6 and 7 are included for the purpose of illustrating portions of the piston pump that form no part of the claimed design.

1 Claim, 7 Drawing Sheets



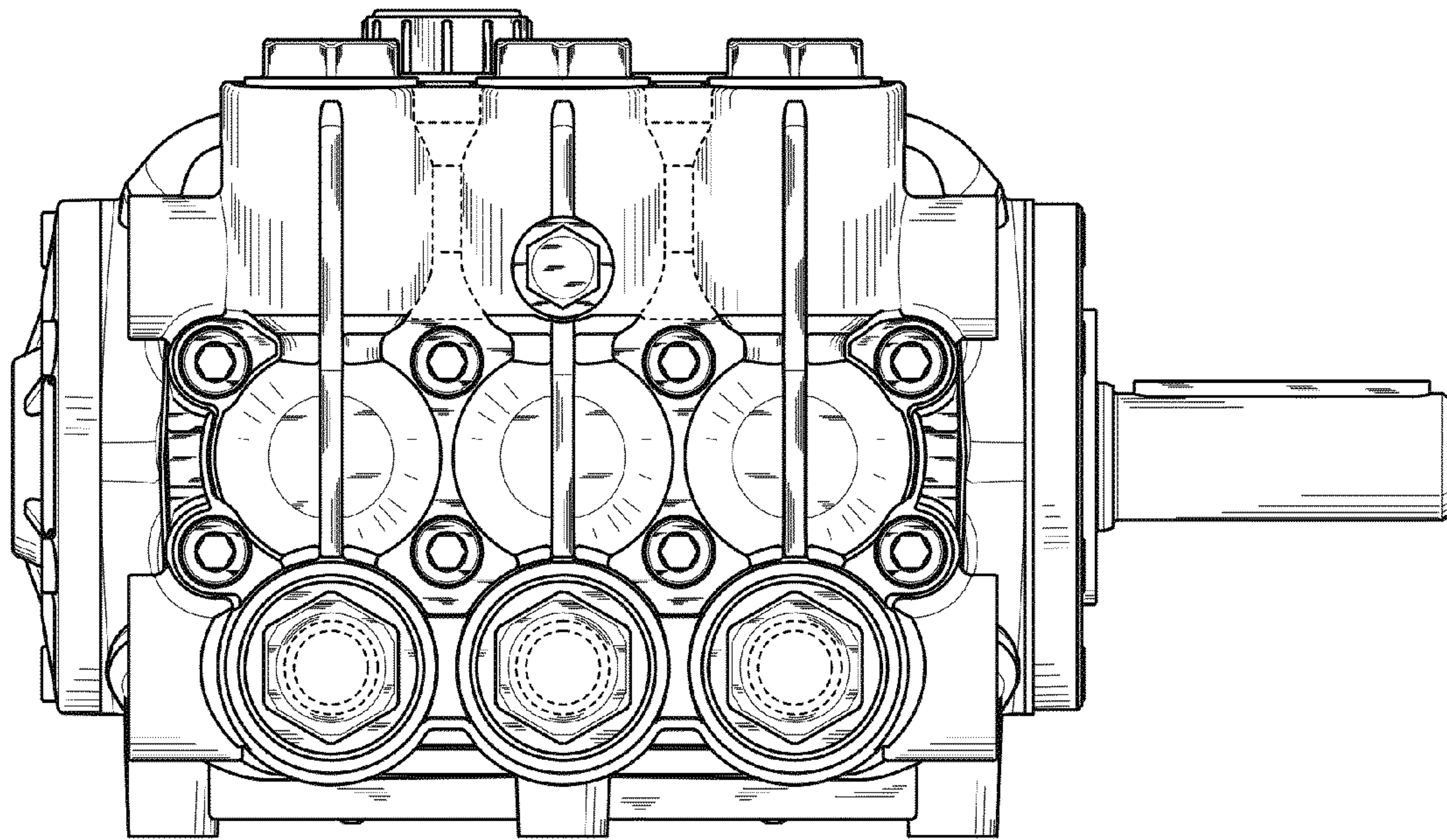


FIG. 1

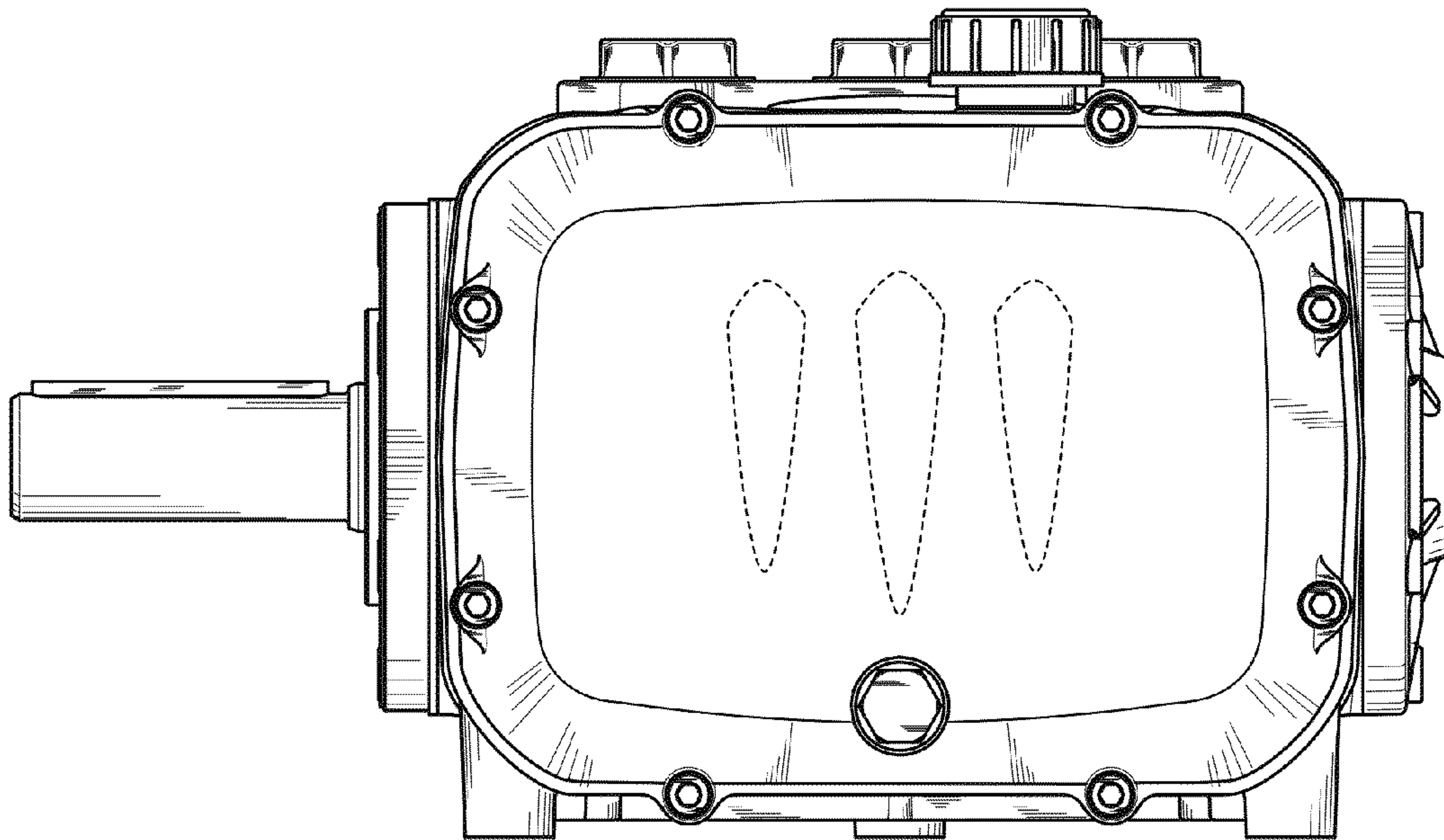


FIG. 2

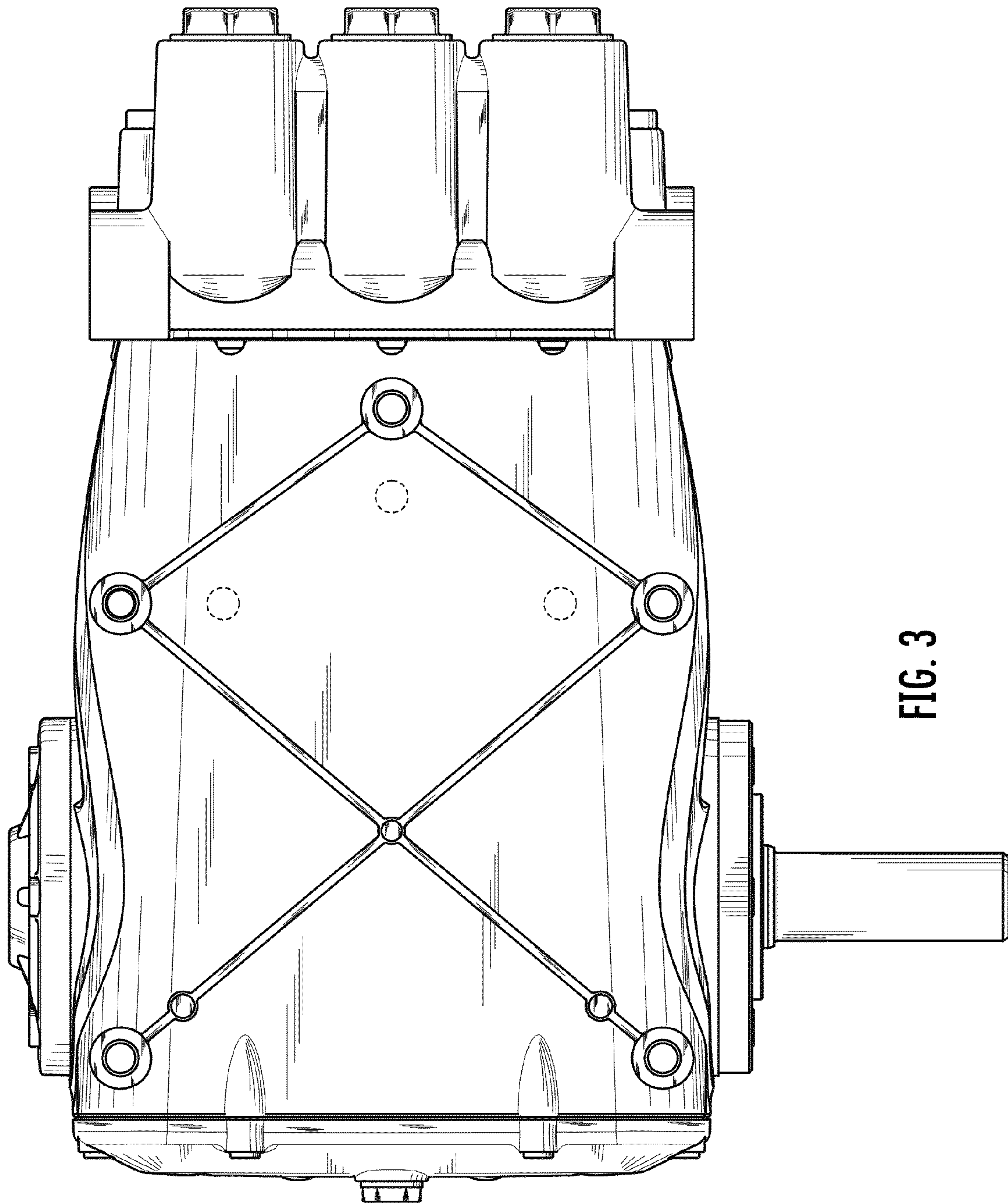


FIG. 3

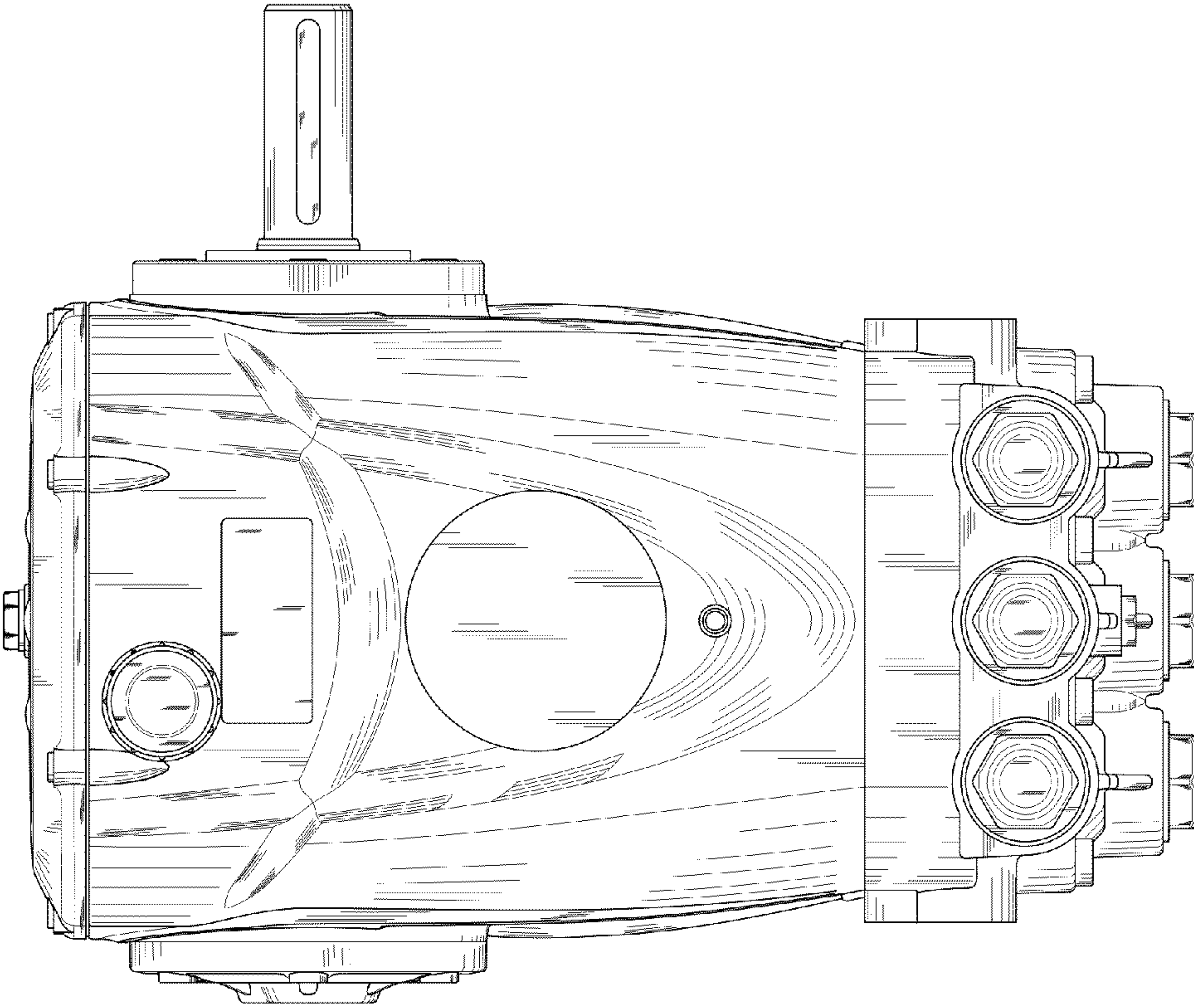


FIG.4

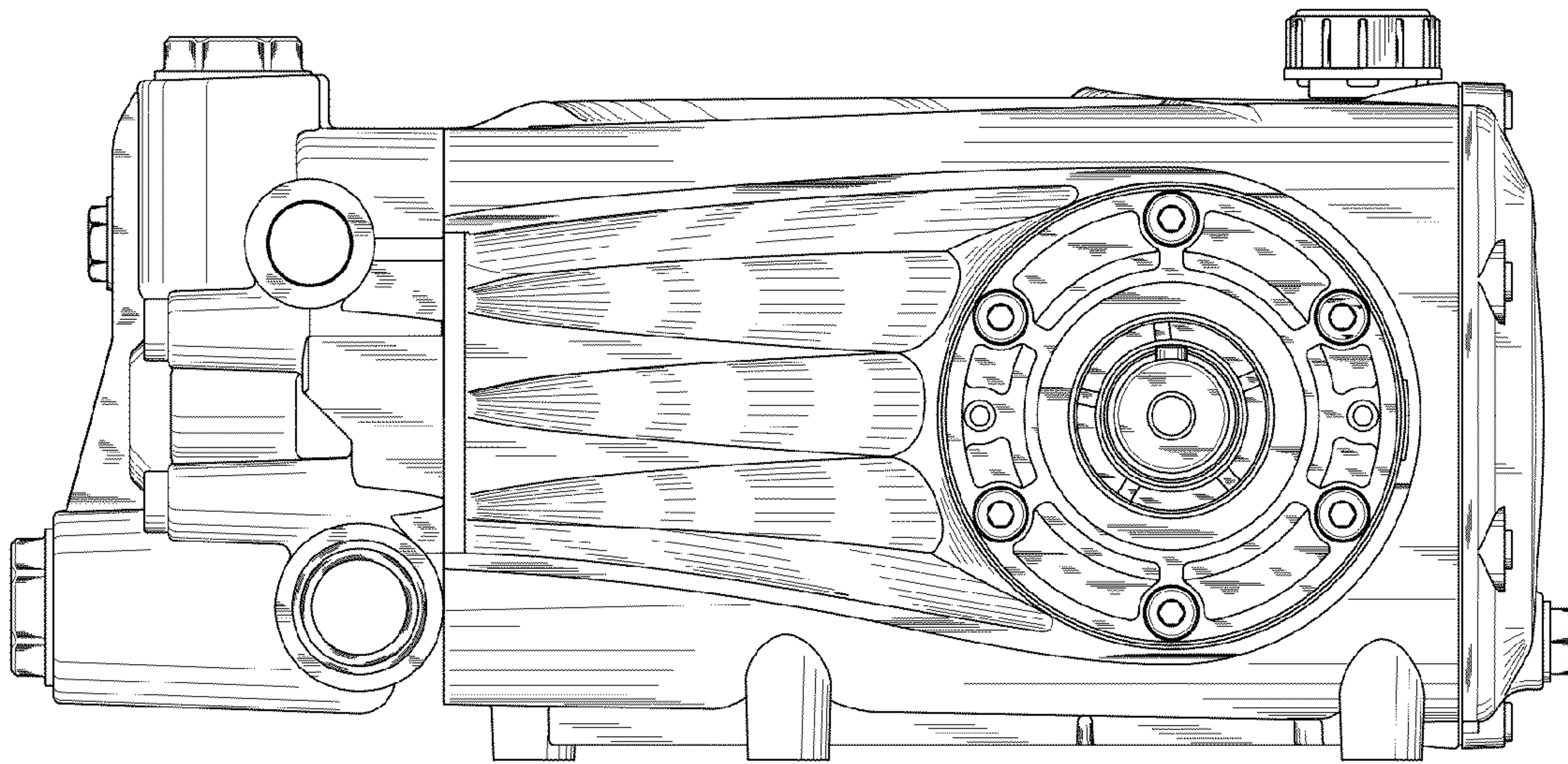


FIG. 5

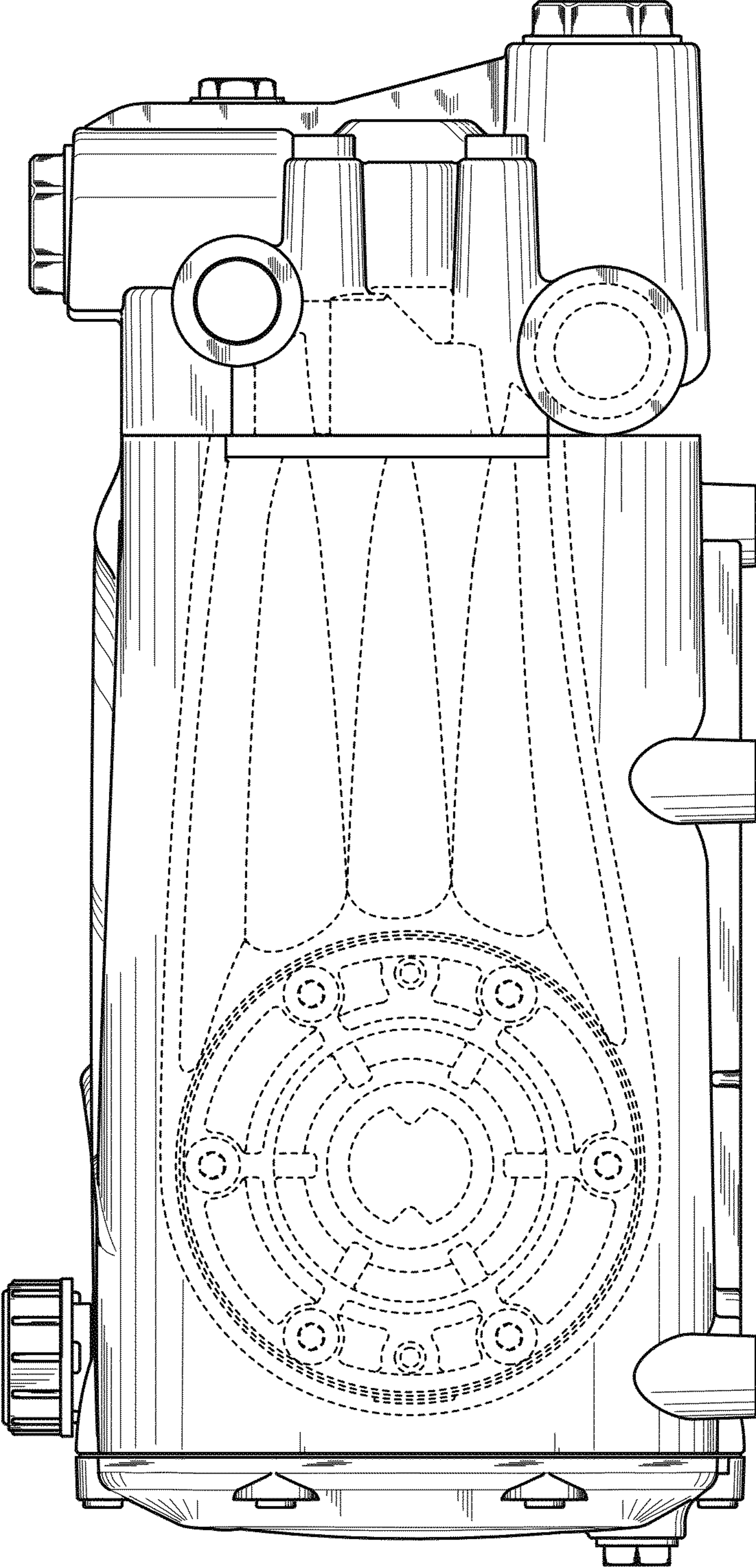


FIG. 6

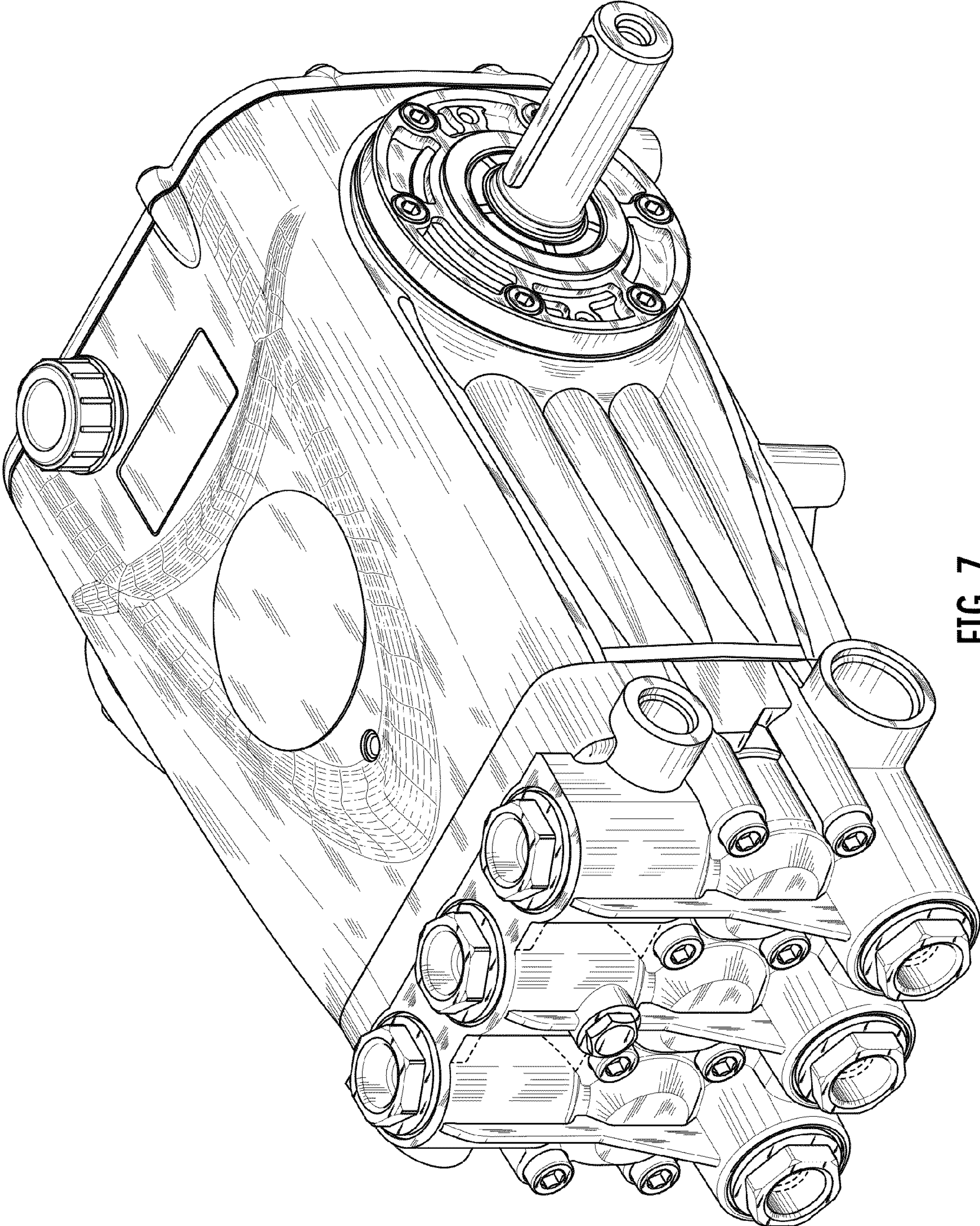


FIG. 7