



US00D688272S

(12) **United States Design Patent**  
**Lee**

(10) **Patent No.:** **US D688,272 S**

(45) **Date of Patent:** **\*\* Aug. 20, 2013**

(54) **USB PORTABLE MEDIA PLAYER**

(75) Inventor: **Johann Lee**, Syosset, NY (US)

(73) Assignee: **Coby Electronics Corp.**, Lake Success, NY (US)

(\*\*) Term: **14 Years**

(21) Appl. No.: **29/417,979**

(22) Filed: **Apr. 11, 2012**

(51) **LOC (9) Cl.** ..... **14-03**

(52) **U.S. Cl.**  
USPC ..... **D14/496**

(58) **Field of Classification Search**  
USPC ..... D14/496, 401, 435, 474, 483, 217,  
D14/137, 138, 160, 168, 356, 203.1–203.8,  
D14/507; 345/156, 169, 173–179, 905;  
715/727–729, 864; 710/1, 5, 8; 713/1, 600;  
455/1.1, 1.7, 73, 344–347, 93, 95, 3.01–3.06,  
455/550.1, 573.1; 370/342–344; 369/1,  
369/2, 6–12; 463/43–47; 273/148 B  
See application file for complete search history.

D529,044 S \* 9/2006 Andre et al. .... D14/203.3  
D558,783 S \* 1/2008 Andre et al. .... D14/496  
D592,227 S \* 5/2009 Oh et al. .... D14/496  
D597,068 S \* 7/2009 Whang ..... D14/203.7  
D629,011 S \* 12/2010 Lee ..... D14/496  
D630,614 S \* 1/2011 Lee ..... D14/203.3

\* cited by examiner

*Primary Examiner* — Prabhakar Deshmukh

(74) *Attorney, Agent, or Firm* — Mayer Brown LLP

(57) **CLAIM**

The ornamental design for a USB portable media player, as shown and described.

**DESCRIPTION**

A portion of the disclosure of this patent document contains material to which a claim for copyright is made. The copyright owner has no objection to the facsimile reproduction by anyone of the patent document or the patent disclosure, as it appears in the Patent and Trademark Office patent file or records, but reserves all other copyright rights whatsoever.

FIG. 1 is a side front perspective view of a USB portable media player according to an embodiment of my new design; FIG. 2 is a front view thereof; FIG. 3 is a rear view thereof; FIG. 4 is a right side view thereof; FIG. 5 is a left side view thereof; FIG. 6 is a top view thereof; FIG. 7 is a bottom view thereof; and, FIG. 8 is a front view thereof with cap removed.

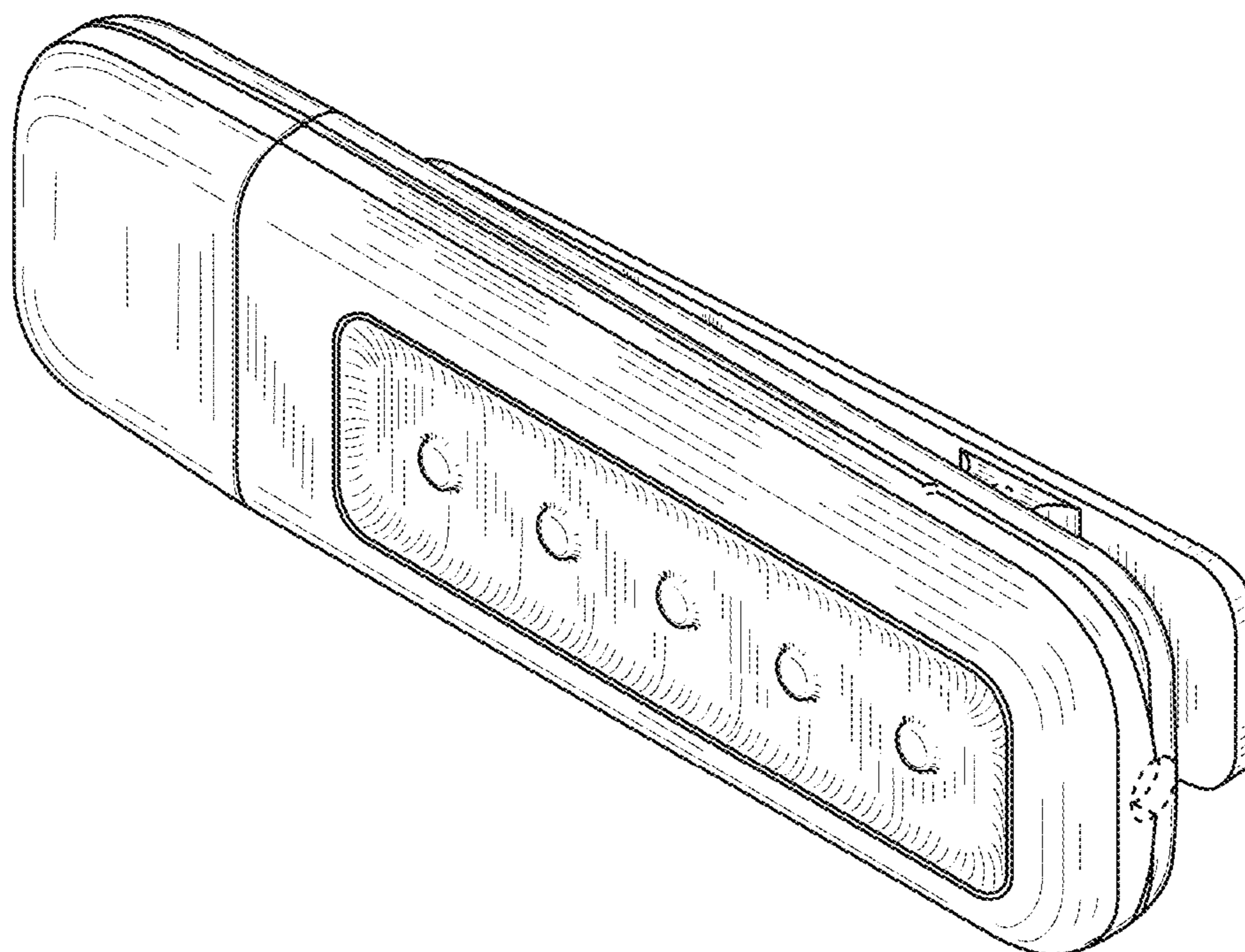
The broken lines are for illustrative purpose only and form no part of the claimed design.

**1 Claim, 4 Drawing Sheets**

(56) **References Cited**

U.S. PATENT DOCUMENTS

6,671,808 B1 \* 12/2003 Abbott et al. .... 726/4  
6,733,329 B2 \* 5/2004 Yang ..... 439/518  
6,807,591 B2 \* 10/2004 Kao ..... 710/74  
D500,382 S \* 12/2004 Phillips ..... D26/92  
D511,519 S \* 11/2005 Bone et al. .... D14/480.1  
D518,065 S \* 3/2006 Kobayashi ..... D14/203.2



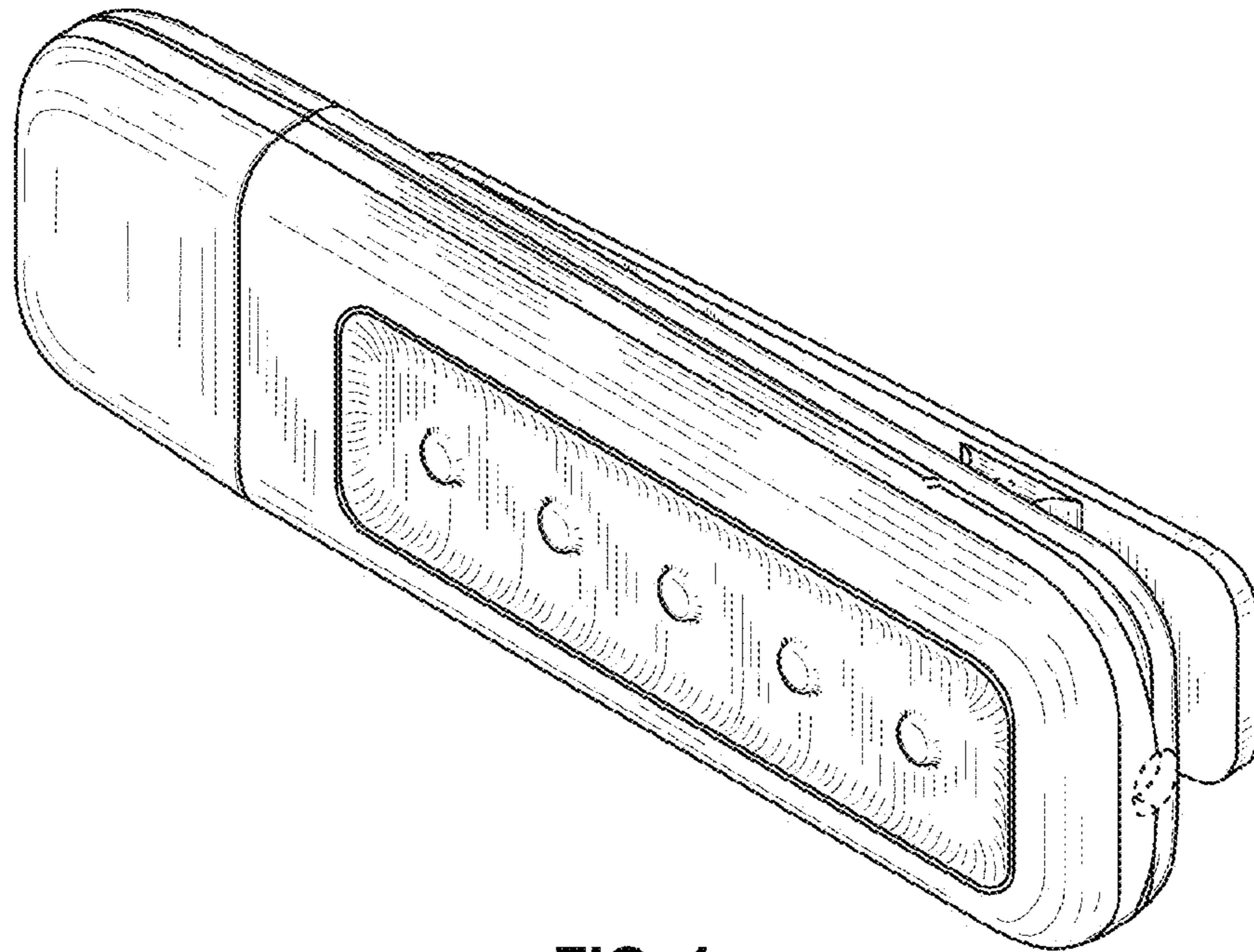


FIG. 1

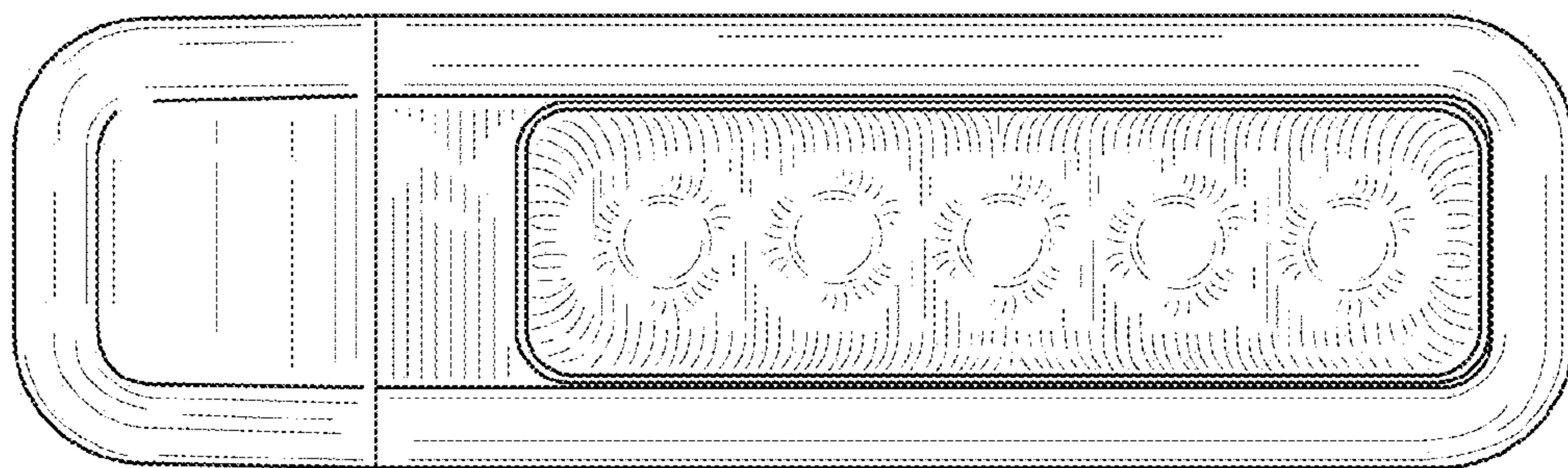


FIG. 2

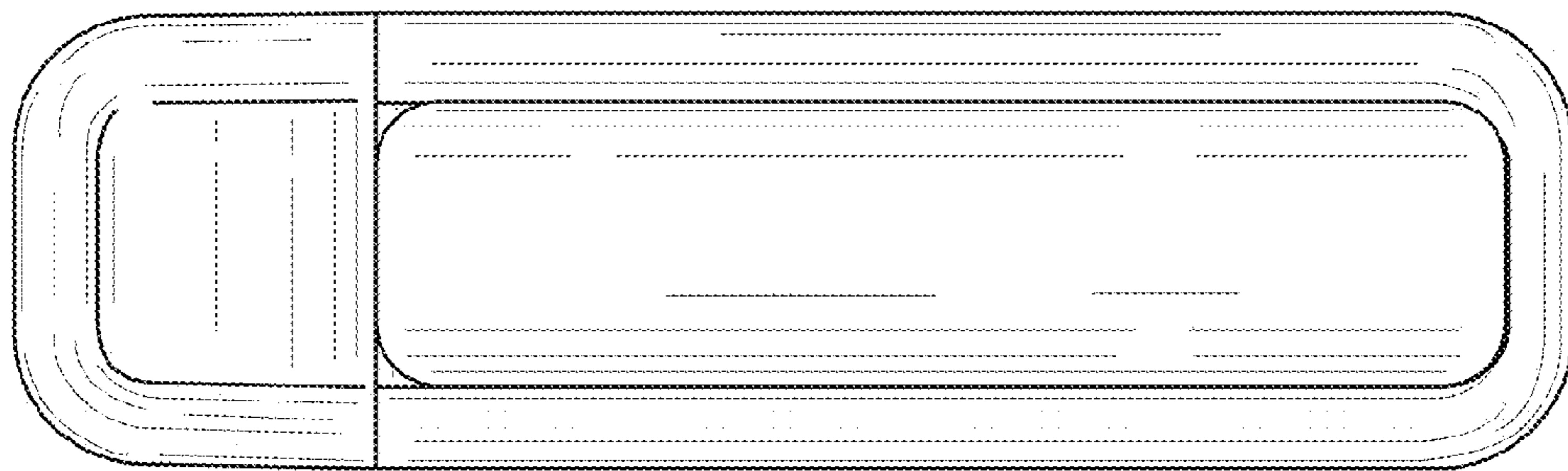


FIG. 3

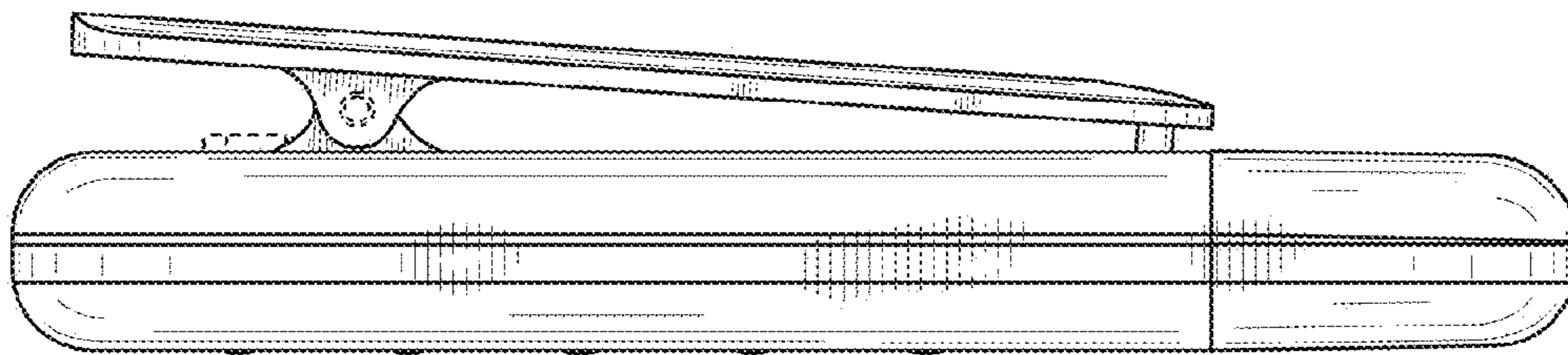


FIG. 4

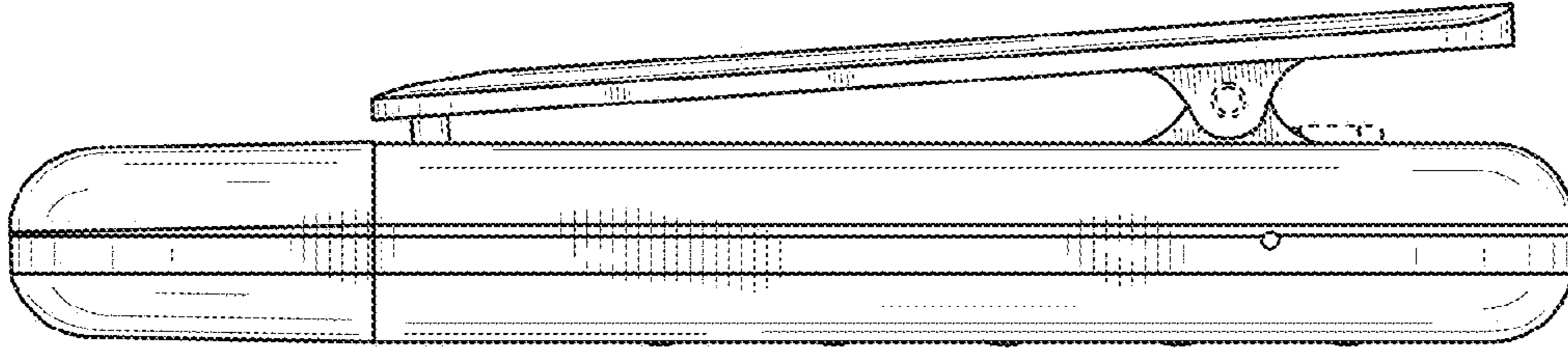


FIG. 5

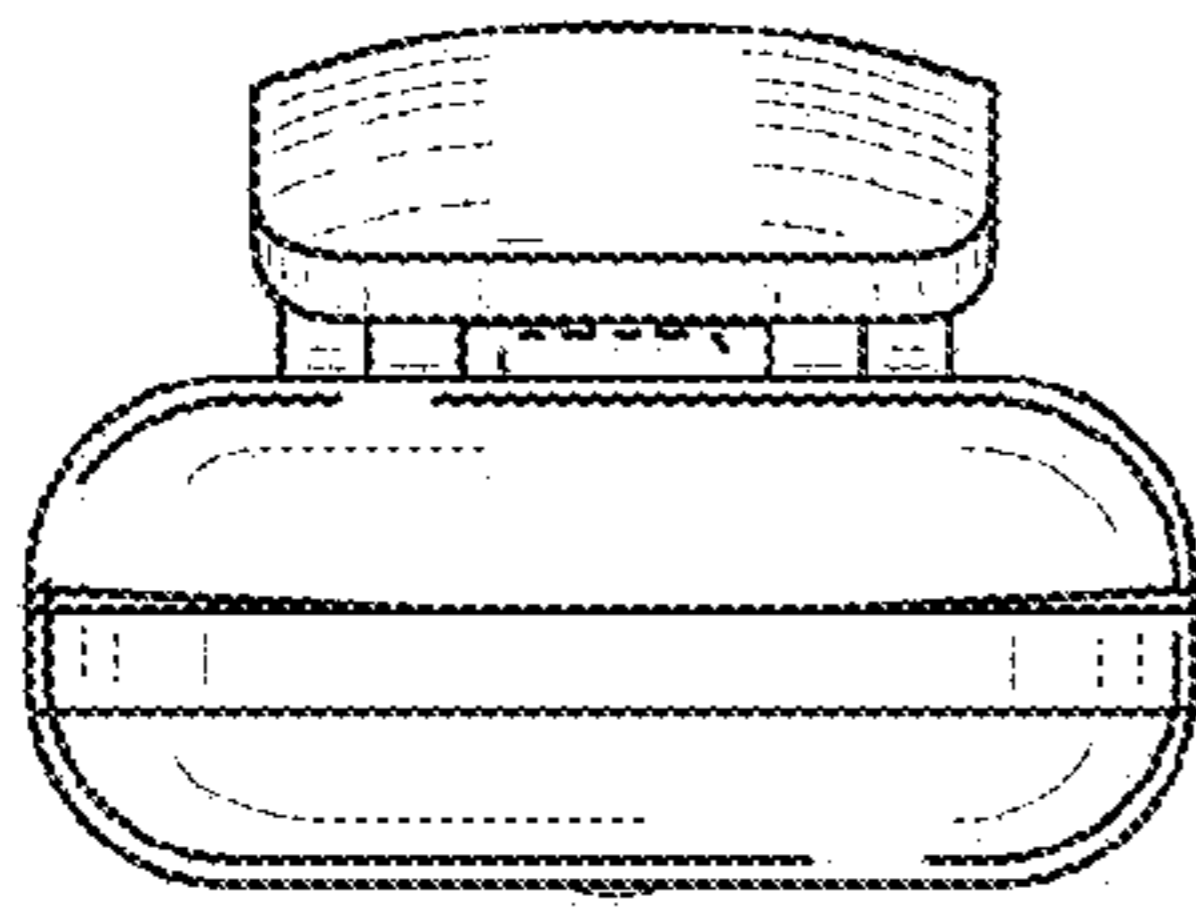


FIG. 6

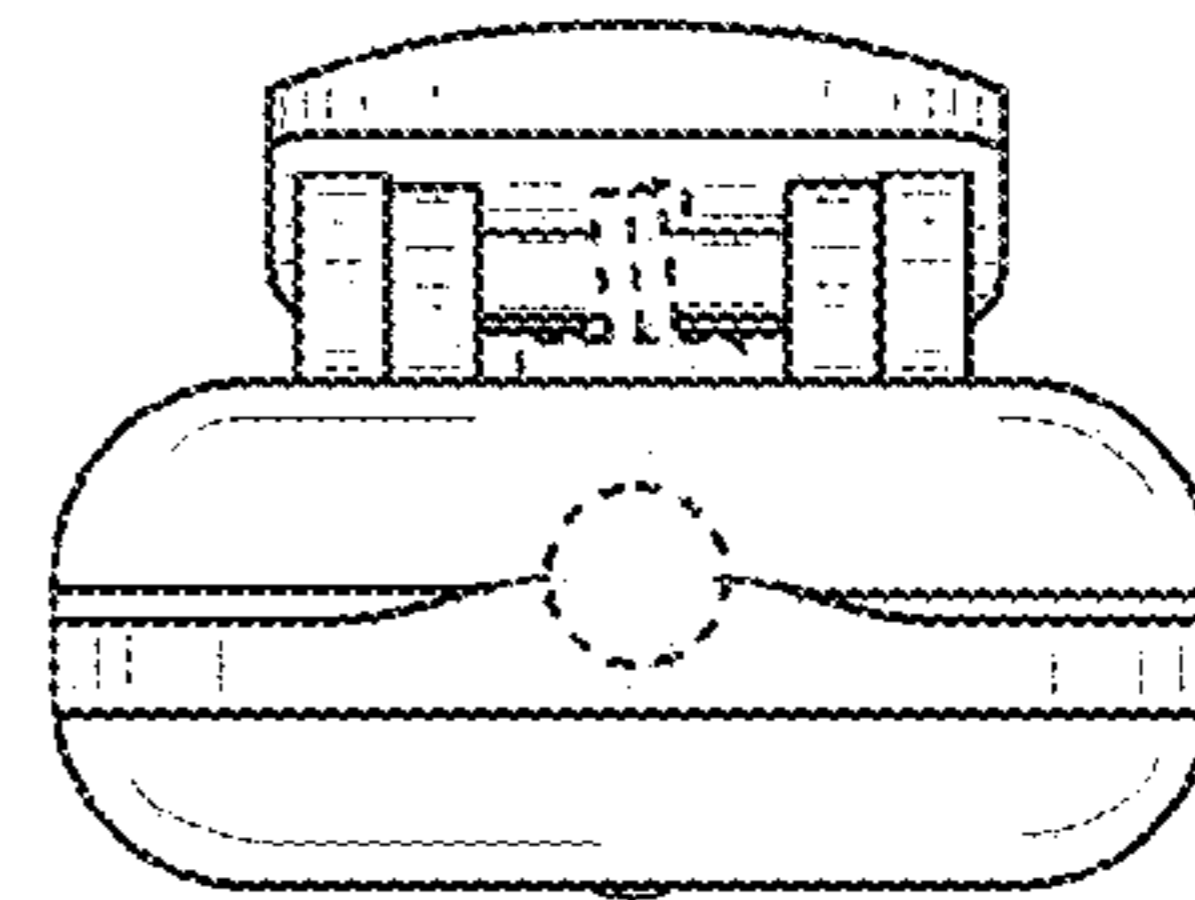


FIG. 7

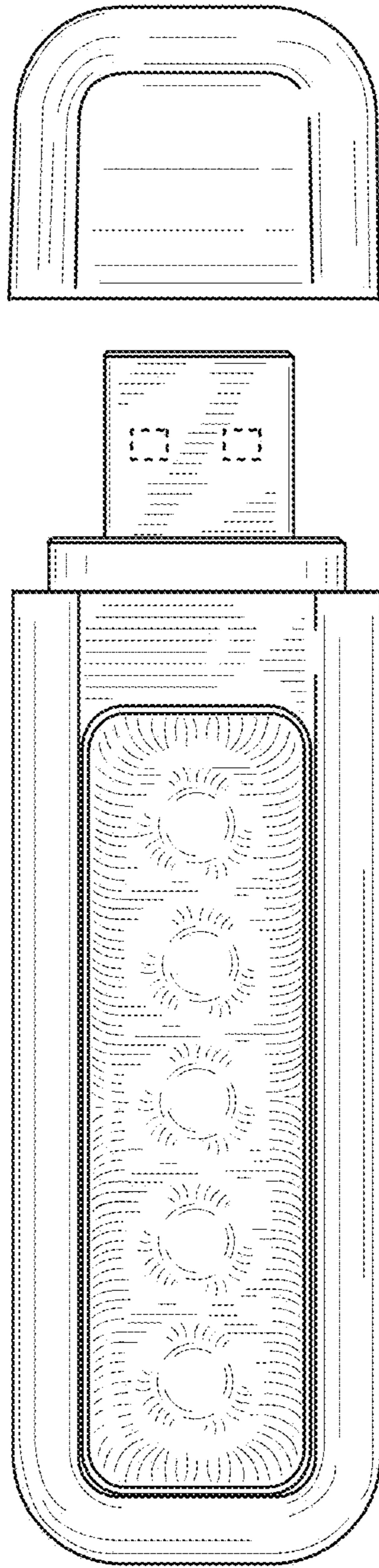


FIG. 8