



US00D688254S

(12) **United States Design Patent**  
**Brooks et al.**

(10) **Patent No.:** **US D688,254 S**

(45) **Date of Patent:** **\*\* Aug. 20, 2013**

(54) **DISPLAY**

(71) Applicant: **Hewlett-Packard Development Company, L.P.**, Houston, TX (US)

(72) Inventors: **Robert C. Brooks**, Houston, TX (US);  
**Hai-Lung Hung**, Taipei (TW)

(73) Assignee: **Hewlett-Packard Development Company, L.P.**, Houston, TX (US)

(\*\*) Term: **14 Years**

(21) Appl. No.: **29/434,902**

(22) Filed: **Oct. 18, 2012**

(51) **LOC (9) Cl.** ..... **14-02**

(52) **U.S. Cl.**  
USPC ..... **D14/448**

(58) **Field of Classification Search**  
USPC ..... D14/448, 374, 379, 126–129; 345/104,  
345/133, 156, 168, 173; 348/180, 184, 325,  
348/739; 341/12; 349/1, 2, 11, 62;  
248/917–924  
See application file for complete search history.

(56) **References Cited**

U.S. PATENT DOCUMENTS

D462,358 S \* 9/2002 Mah ..... D14/447  
D471,914 S \* 3/2003 Kanatani ..... D14/448  
6,987,666 B2 \* 1/2006 Medica et al. .... 361/679.05

D598,446 S \* 8/2009 Pan et al. .... D14/337  
7,684,185 B2 \* 3/2010 Farrugia ..... 361/679.41  
D626,964 S \* 11/2010 Richardson et al. .... D14/447  
D642,561 S \* 8/2011 Tang et al. .... D14/336  
8,020,330 B2 \* 9/2011 Common ..... 40/741  
D651,607 S \* 1/2012 Akana et al. .... D14/448  
D670,703 S \* 11/2012 Hasbrook et al. .... D14/447  
D676,855 S \* 2/2013 Yoo et al. .... D14/448  
D678,288 S \* 3/2013 Feldstein et al. .... D14/439

\* cited by examiner

*Primary Examiner* — Cynthia Ramirez

(57) **CLAIM**

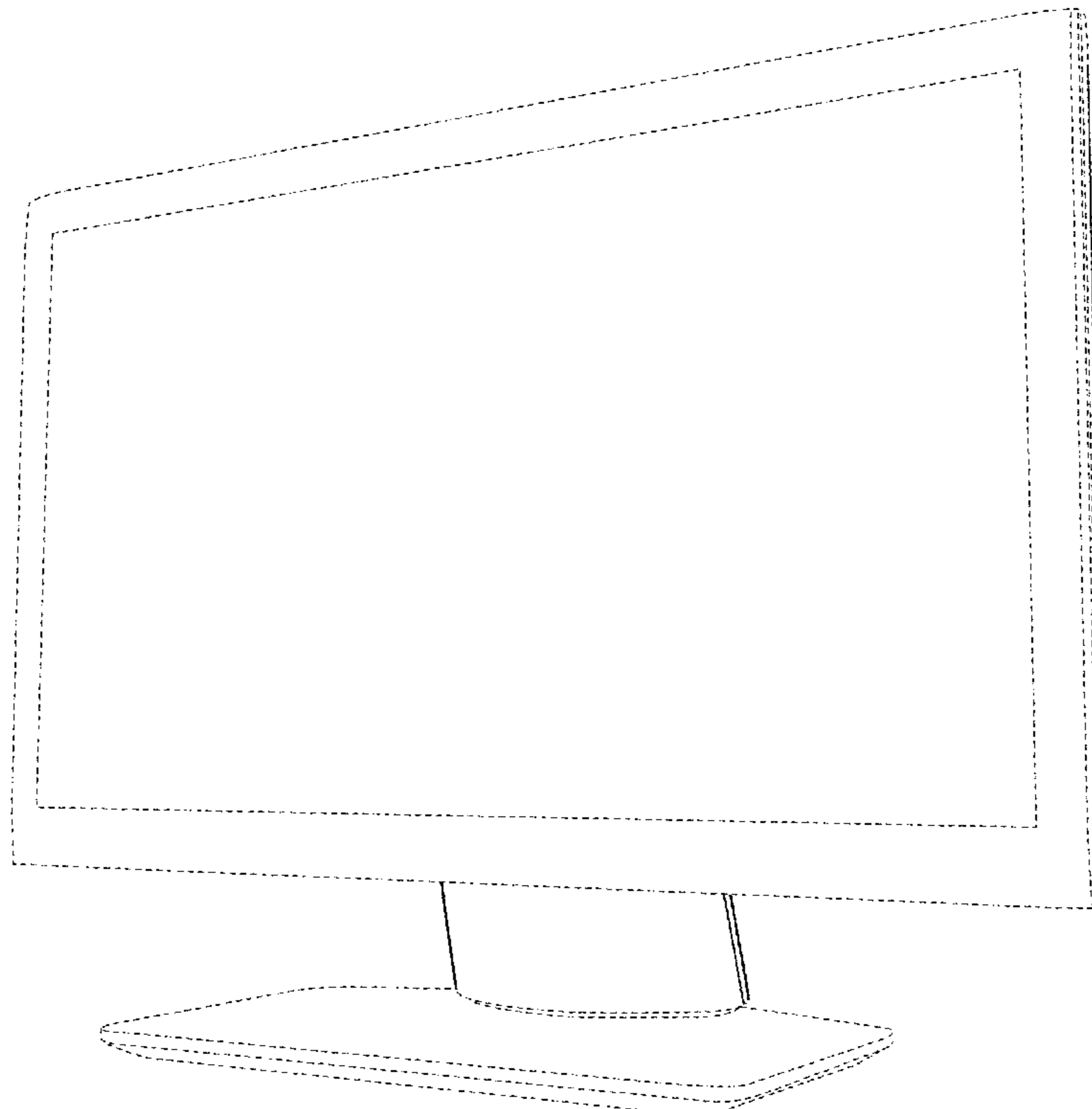
We claim the ornamental design for a display, as shown and described.

**DESCRIPTION**

FIG. 1 is a front perspective view of a display;  
FIG. 2 is a rear perspective view thereof;  
FIG. 3 is an enlarged view thereof taken along line 3-3 of FIG. 2;  
FIG. 4 is an enlarged view thereof taken along line 4-4 of FIG. 2;  
FIG. 5 is a rear view thereof;  
FIG. 6 is a left side view thereof;  
FIG. 7 is a right side view thereof; and,  
FIG. 8 is a top view thereof.

The dash-dash broken lines in the drawings are environmental lines which do not form part of the claimed design. The short dash-long dash lines are boundary lines which do not form part of the claimed design.

**1 Claim, 5 Drawing Sheets**



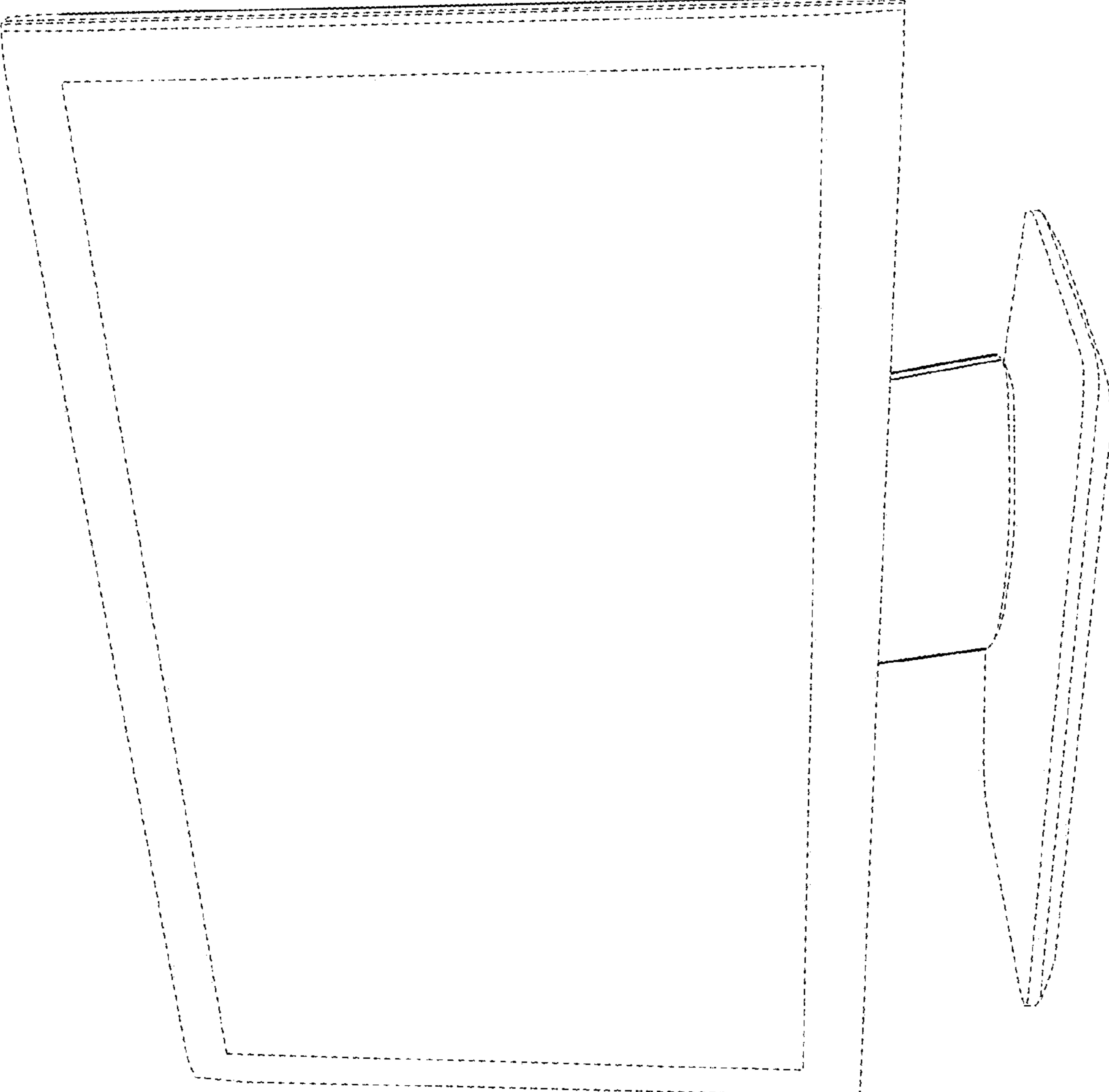


FIG. 1

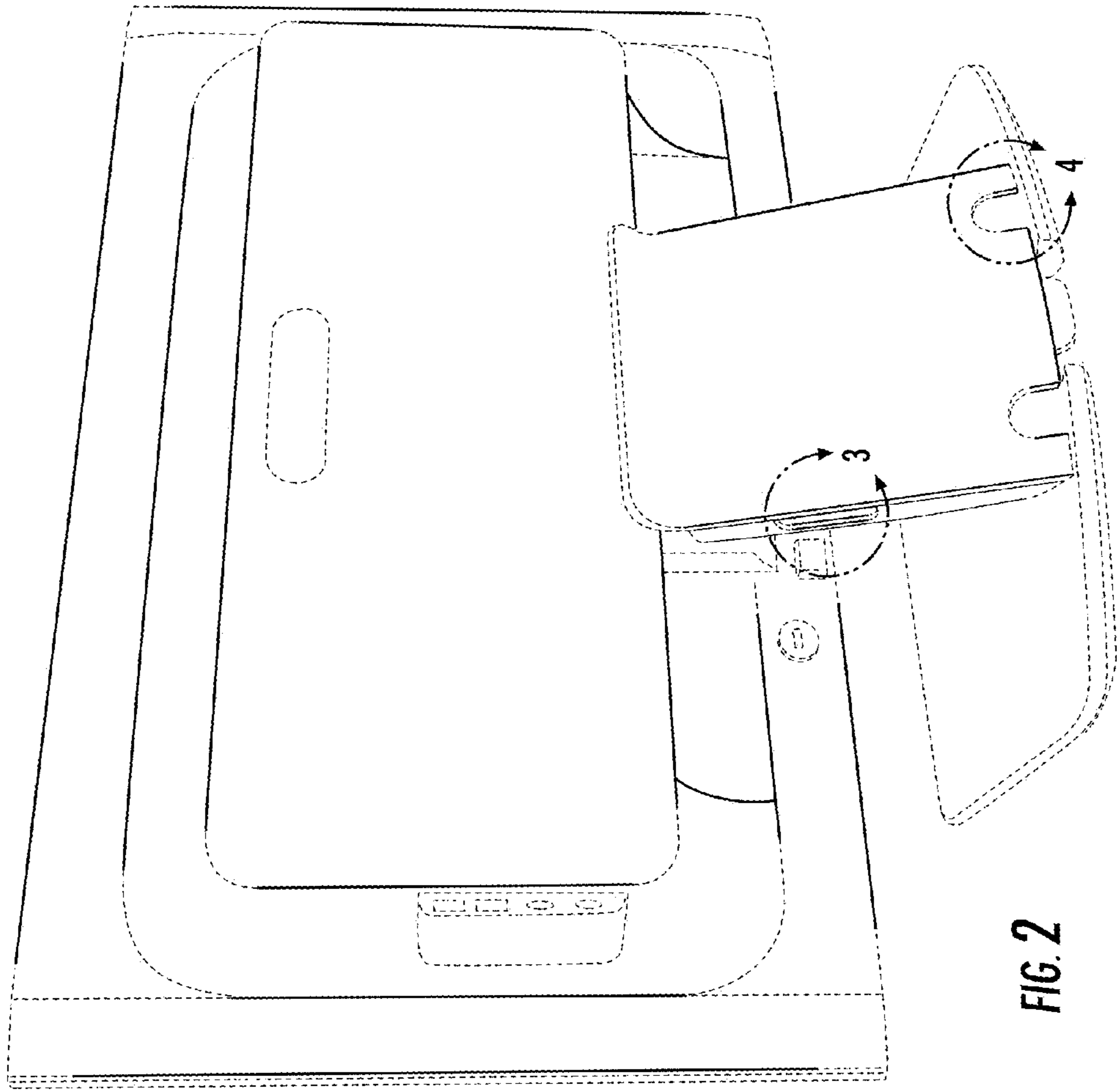


FIG. 2

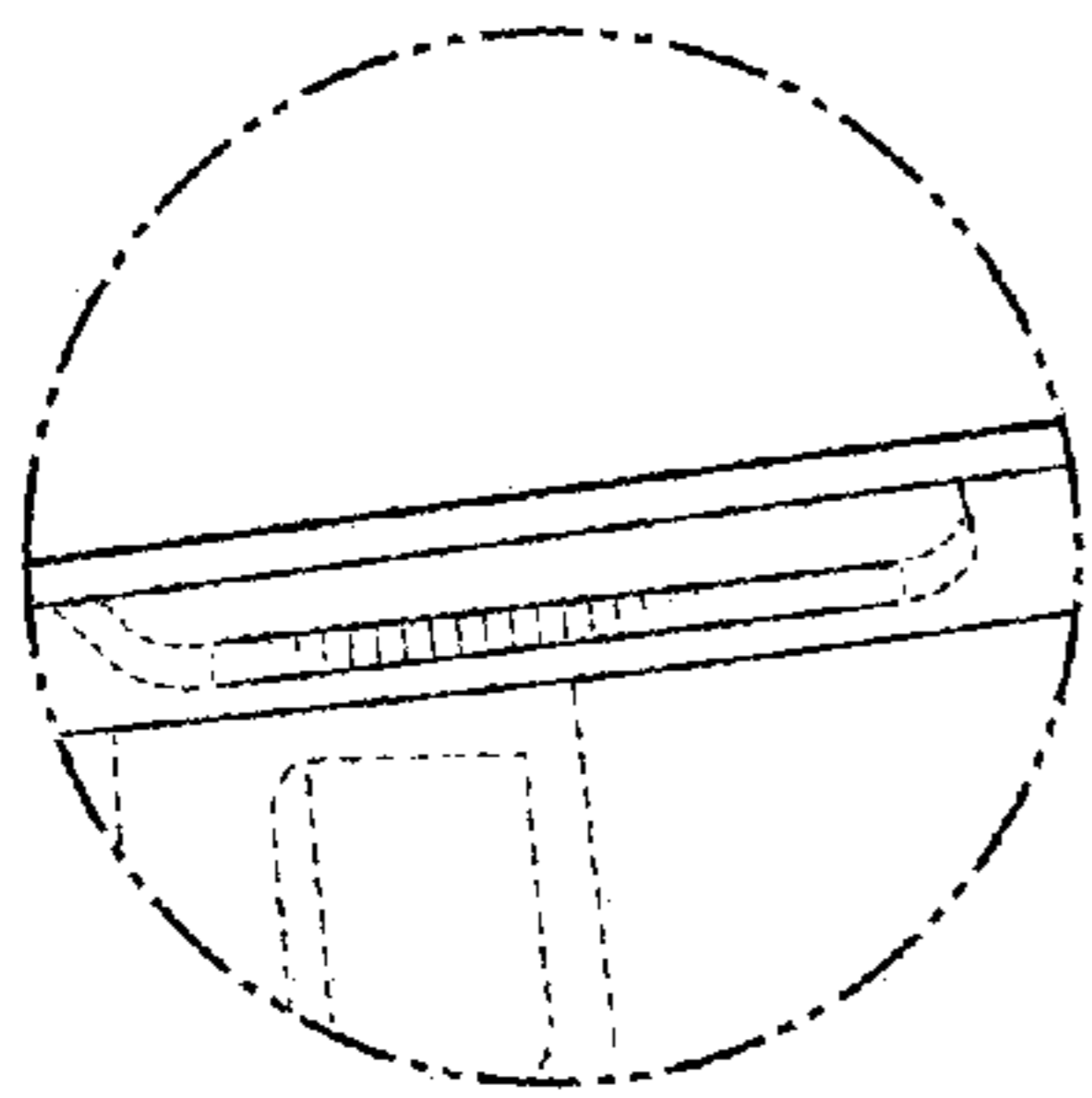


FIG. 3

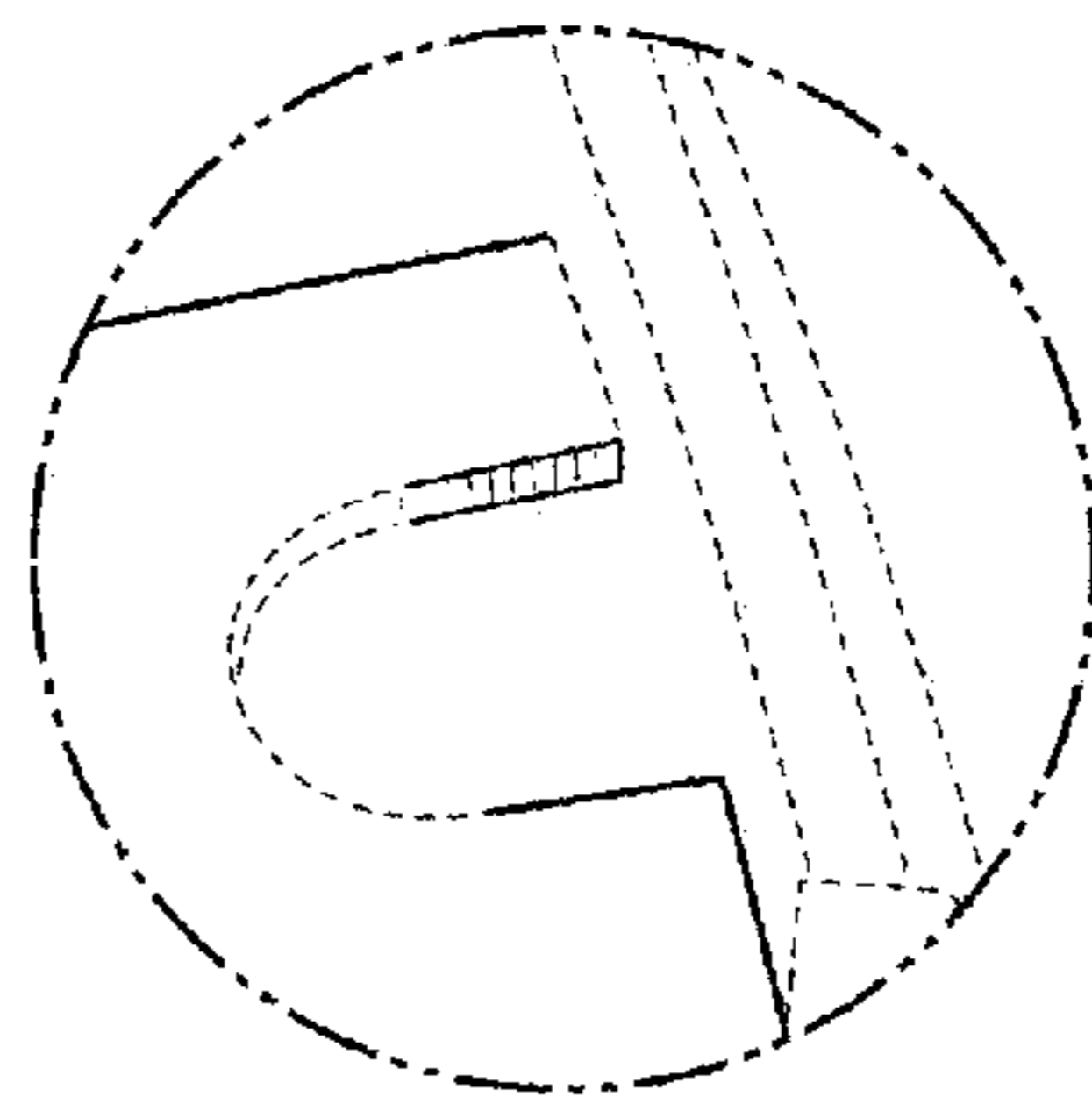


FIG. 4

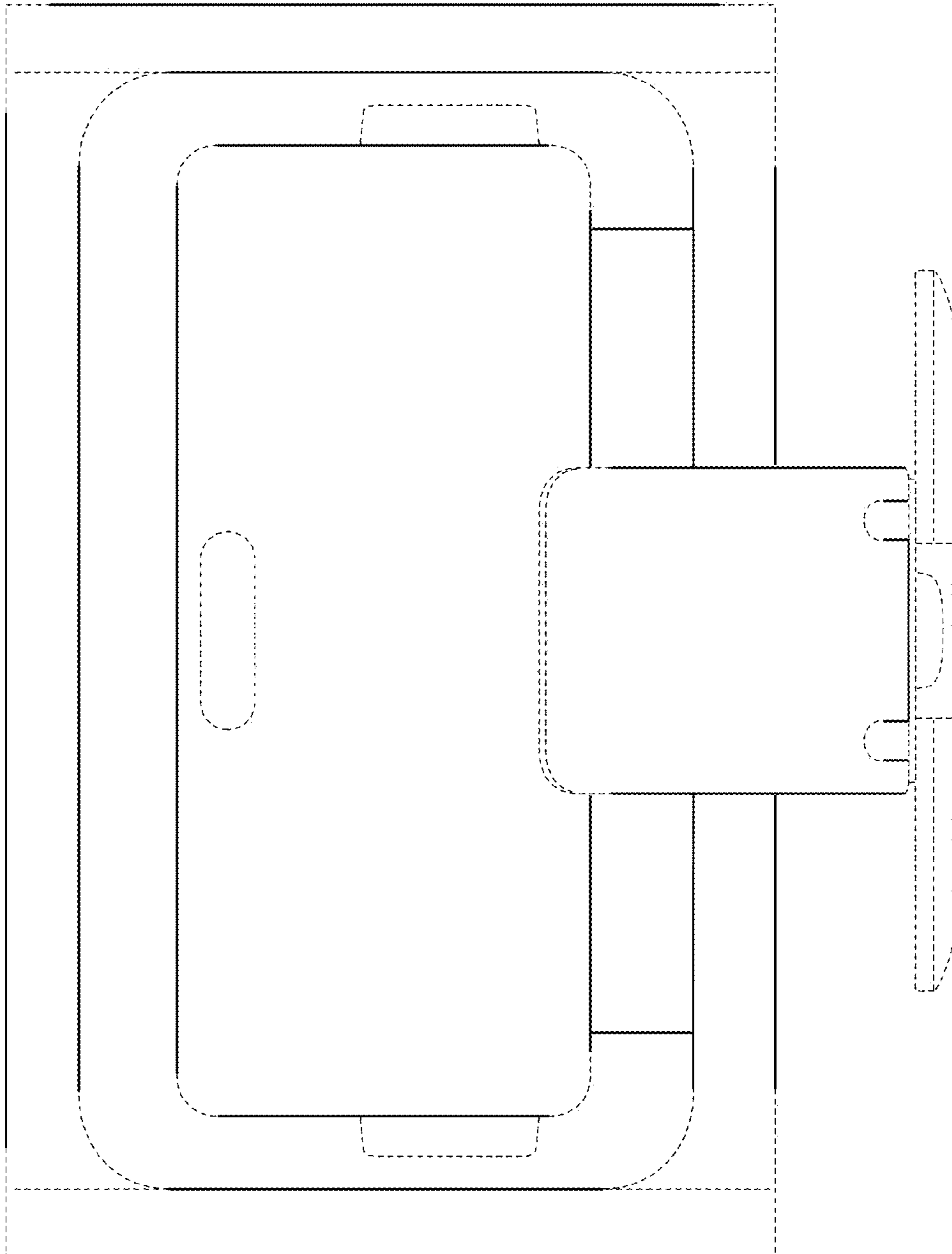


FIG. 5

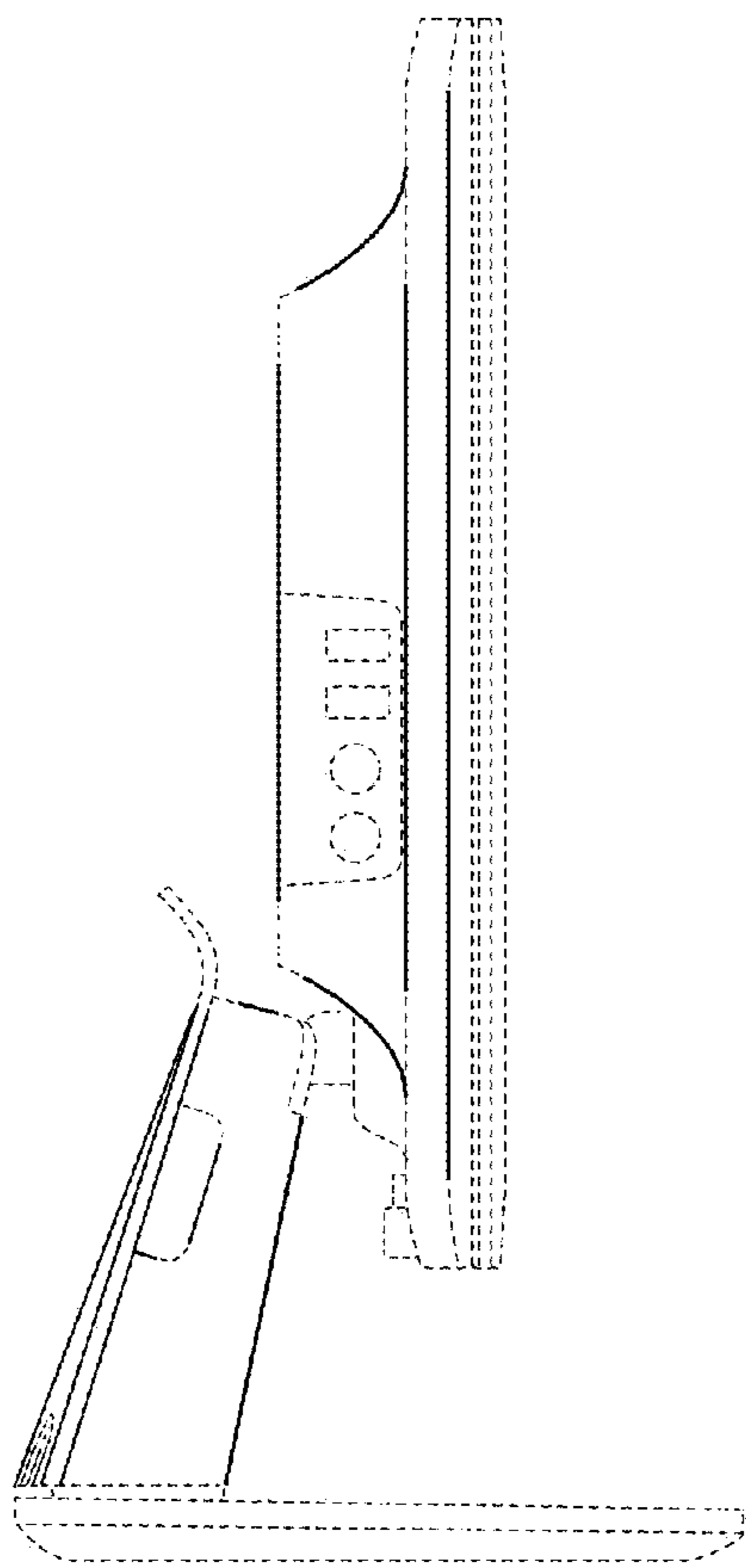


FIG. 6

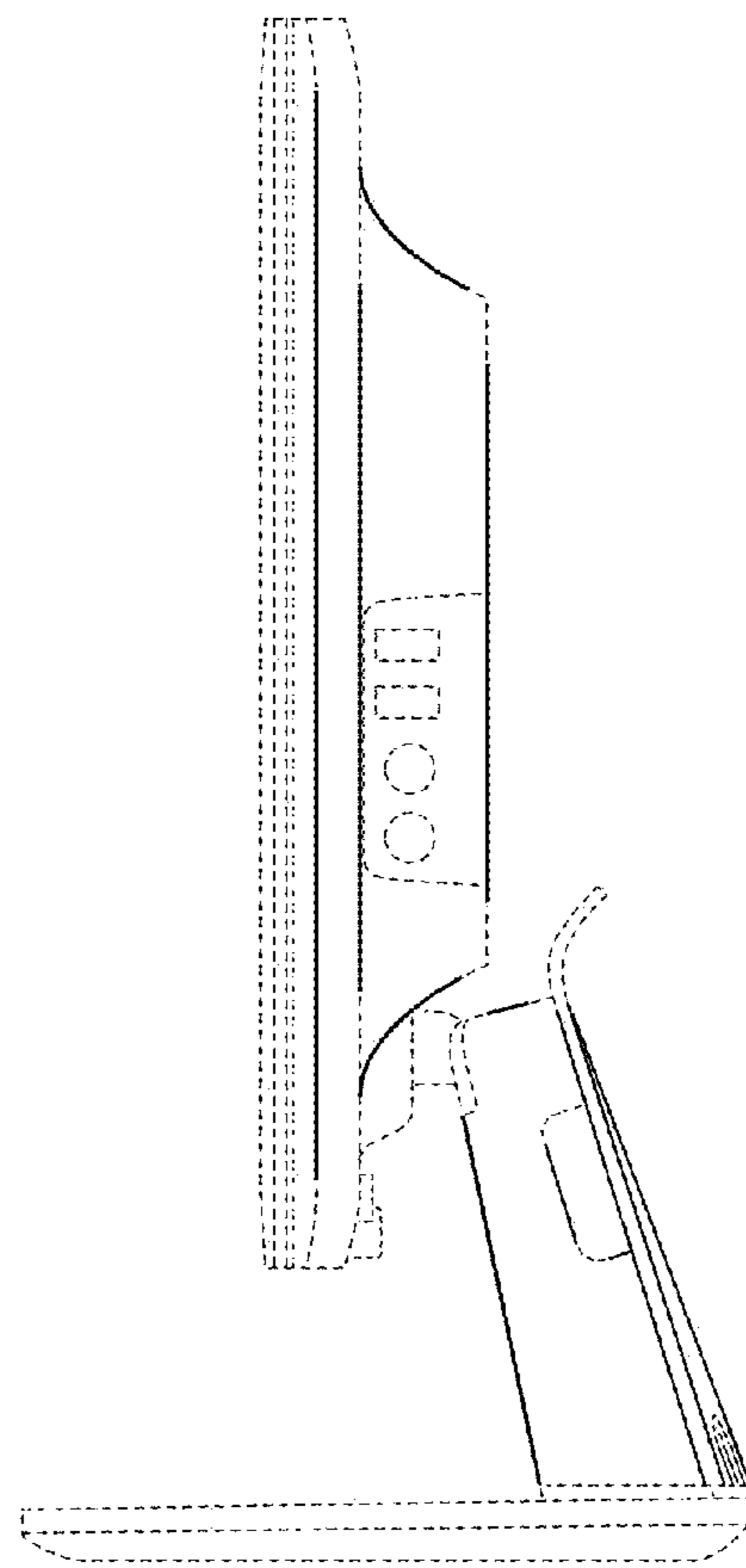


FIG. 7

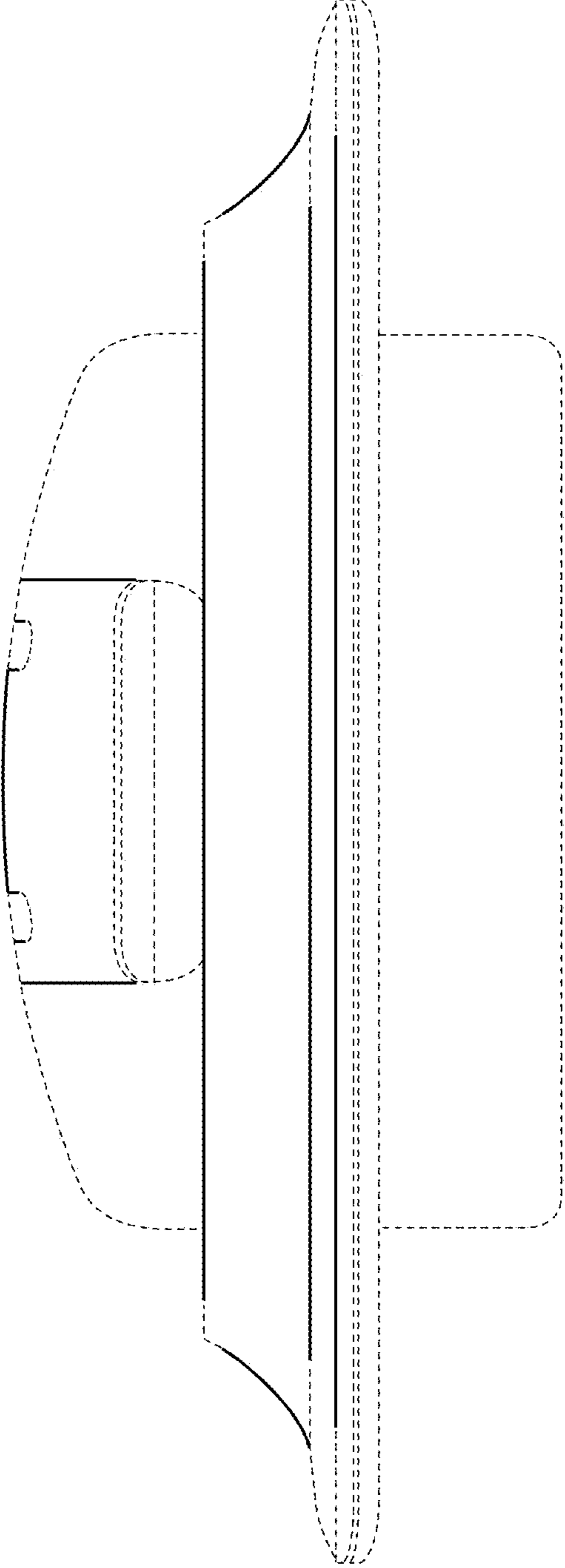


FIG. 8