



US00D688253S

(12) **United States Design Patent**
Cho et al.

(10) **Patent No.:** **US D688,253 S**

(45) **Date of Patent:** **** Aug. 20, 2013**

(54) **ELECTRONIC DEVICE STAND**

(75) Inventors: **Chih-Kang Cho**, New Taipei (TW);
Ke-Fei Zou, Shenzhen (CN)

(73) Assignee: **Hon Hai Precision Industry Co., Ltd.**,
New Taipei (TW)

(**) Term: **14 Years**

(21) Appl. No.: **29/429,500**

(22) Filed: **Aug. 13, 2012**

(51) **LOC (9) Cl.** **08-07**

(52) **U.S. Cl.**
USPC **D14/447**

(58) **Field of Classification Search**

USPC D14/432, 433, 434, 439, 440, 451,
D14/452, 239, 217, 224.1, 251, 252, 253,
D14/457, 458, 459, 460, 461; D6/406.1,
D6/406.2, 406.3, 406.4, 406.5, 406.6;
361/679.06, 679.21, 679.22, 679.24, 679.26,
361/679.27, 679.28, 679.3, 679.55, 679.56,
361/709; 248/917-924, 133, 136, 139, 150,
248/176.1, 188.6; D13/108, 110

See application file for complete search history.

(56) **References Cited**

U.S. PATENT DOCUMENTS

D437,600 S * 2/2001 Calfee D14/447
D437,709 S * 2/2001 Edstrom D6/406.4
D455,755 S * 4/2002 Levine et al. D14/447
D499,574 S * 12/2004 Spicer D6/406.3
D513,008 S * 12/2005 Takizawa et al. D14/447
D557,698 S * 12/2007 Lye D14/447

D629,399 S * 12/2010 Camarena et al. D14/356
D667,012 S * 9/2012 Chen et al. D14/447
D672,352 S * 12/2012 Gengler D14/440
D673,961 S * 1/2013 Matsui et al. D14/447
D674,396 S * 1/2013 Yang et al. D14/447
D676,055 S * 2/2013 Izen et al. D14/447
D677,261 S * 3/2013 Hsu et al. D14/447

* cited by examiner

Primary Examiner — Angela J Lee

(74) *Attorney, Agent, or Firm* — Altis Law Group, Inc.

(57) **CLAIM**

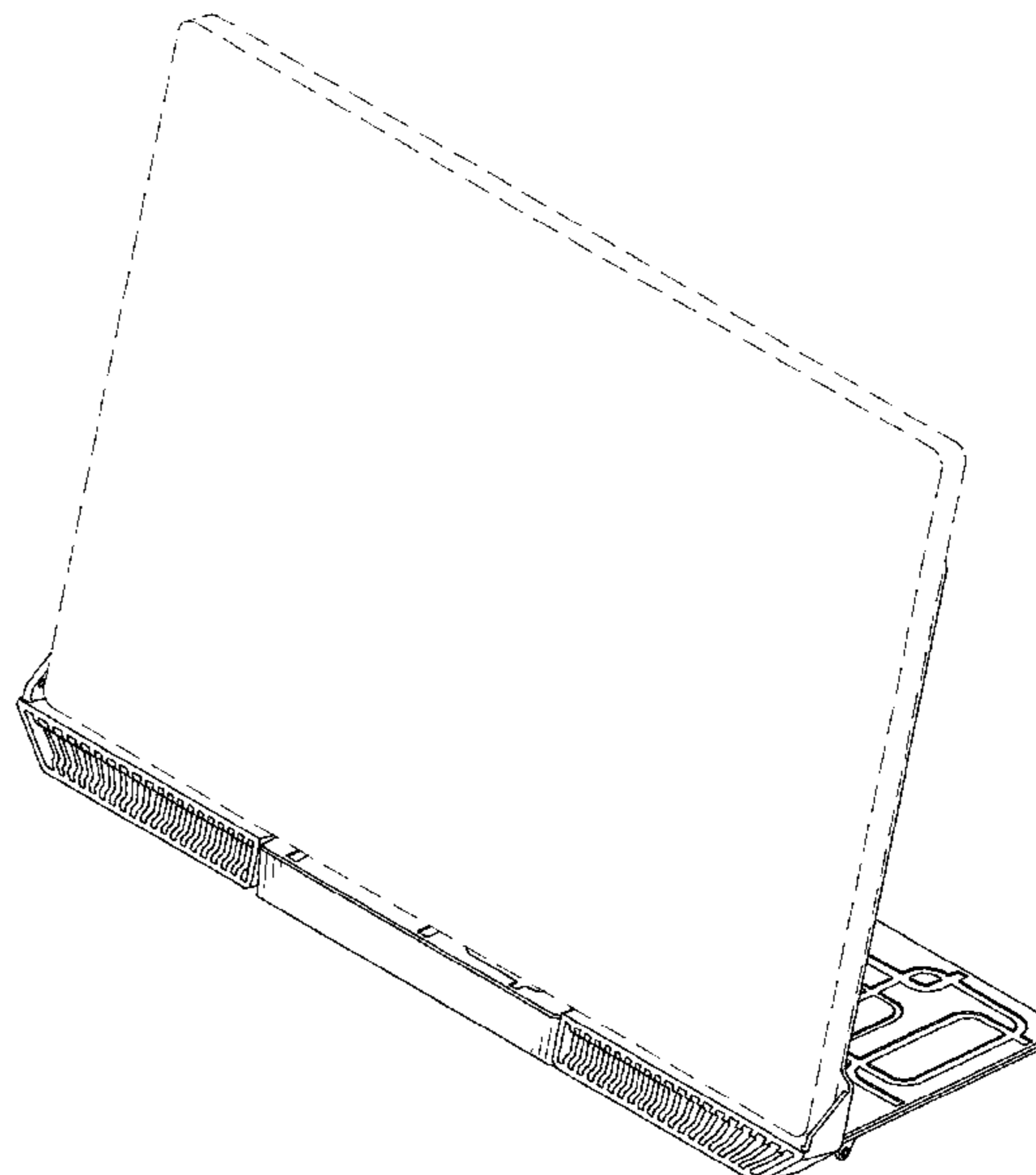
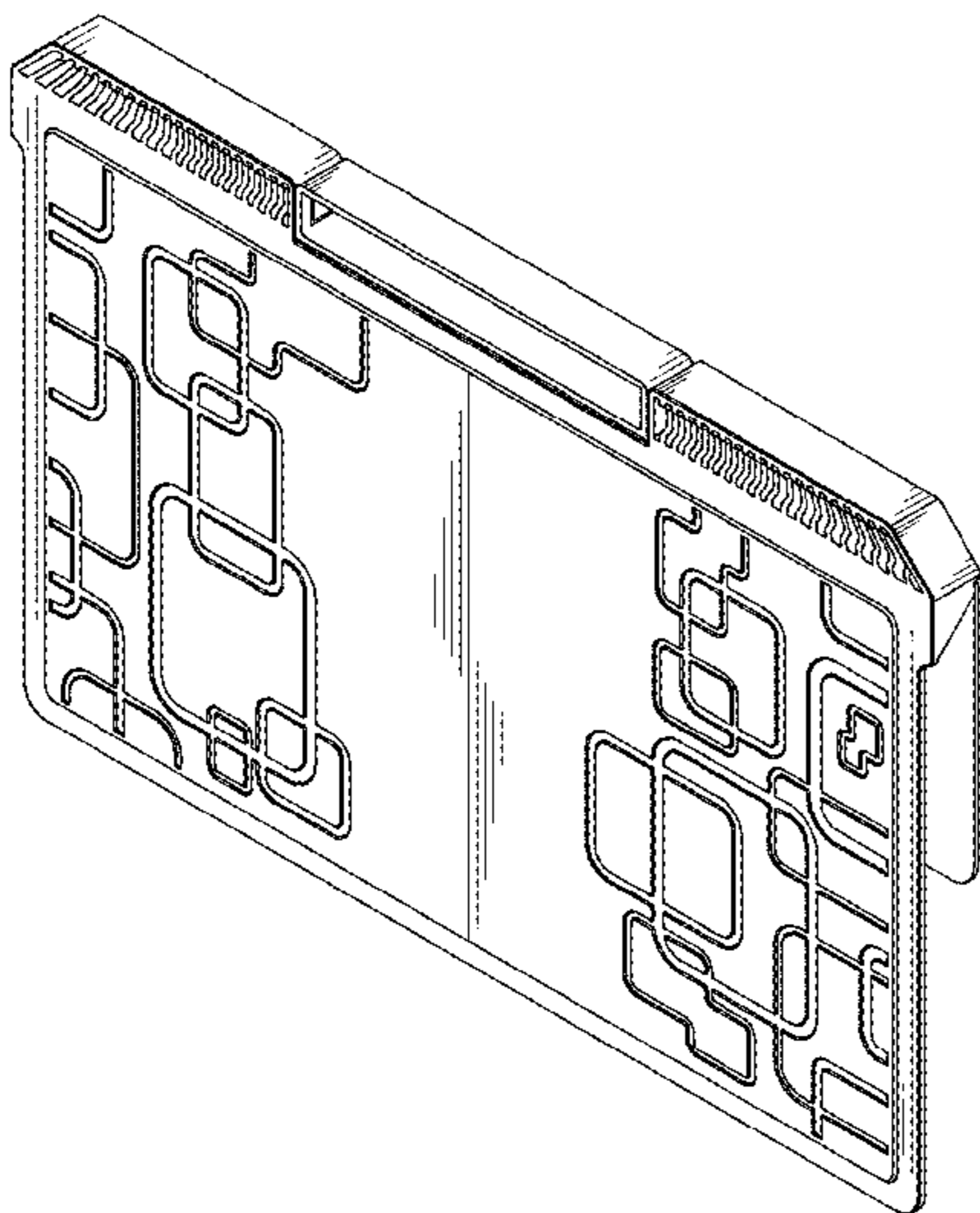
The ornamental design for an electronic device stand, as shown and described.

DESCRIPTION

FIG. 1 is a perspective view of an electronic device stand showing our new design;
FIG. 2 is a front elevational view thereof;
FIG. 3 is a rear elevational view thereof;
FIG. 4 is a left side elevational view thereof;
FIG. 5 is a right side elevational view thereof;
FIG. 6 is a top plan view thereof;
FIG. 7 is a bottom plan view thereof;
FIG. 8 is a perspective view thereof, but shown in a closed position with an electronic device shown in broken lines; and,
FIG. 9 is a perspective view thereof, but shown in an alternate supporting position with an electronic device shown in broken lines.

The broken lines shown in the figures form no part of the claimed design and the shade lines in the figures show contour and not surface ornamentation.

1 Claim, 9 Drawing Sheets



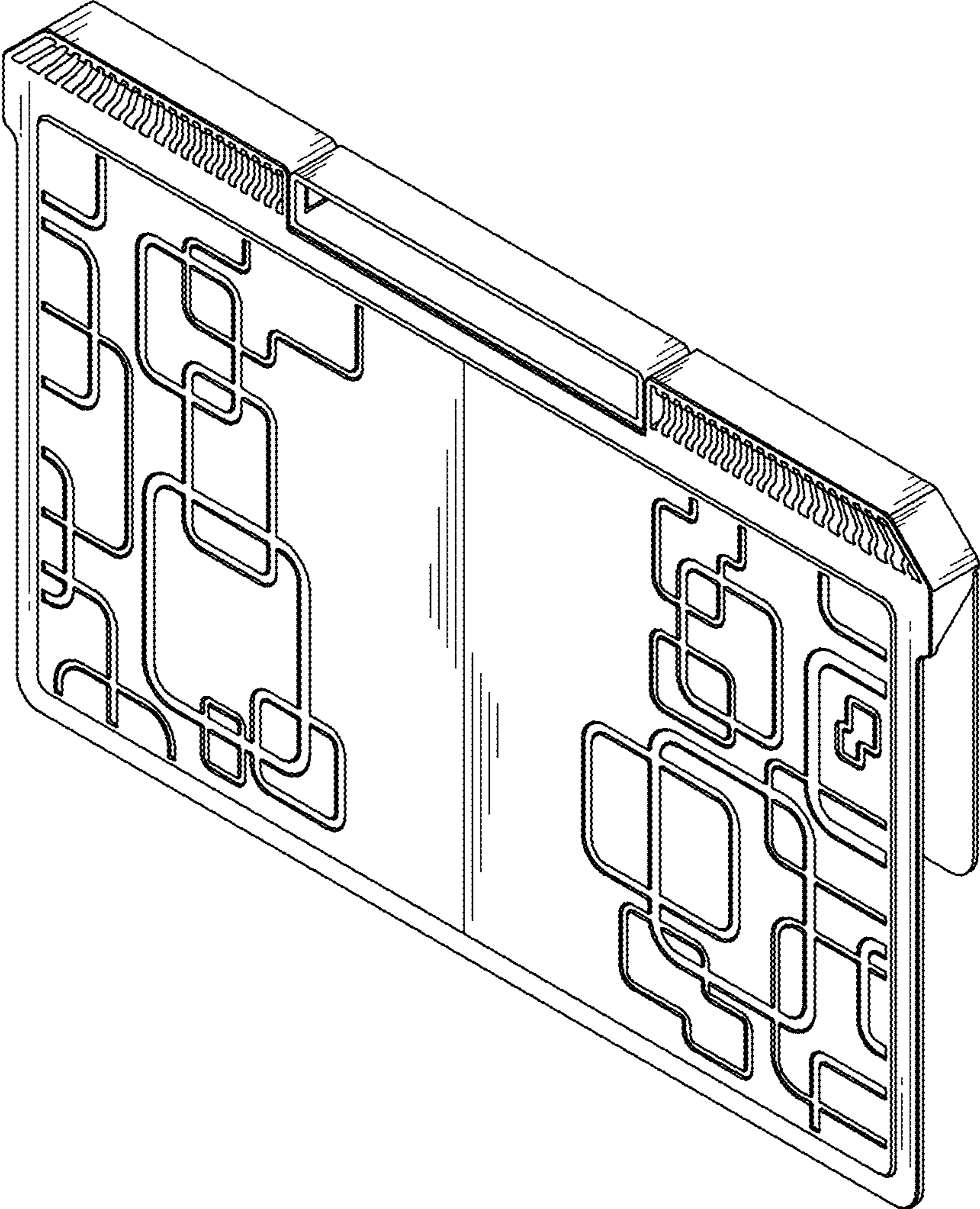


FIG. 1

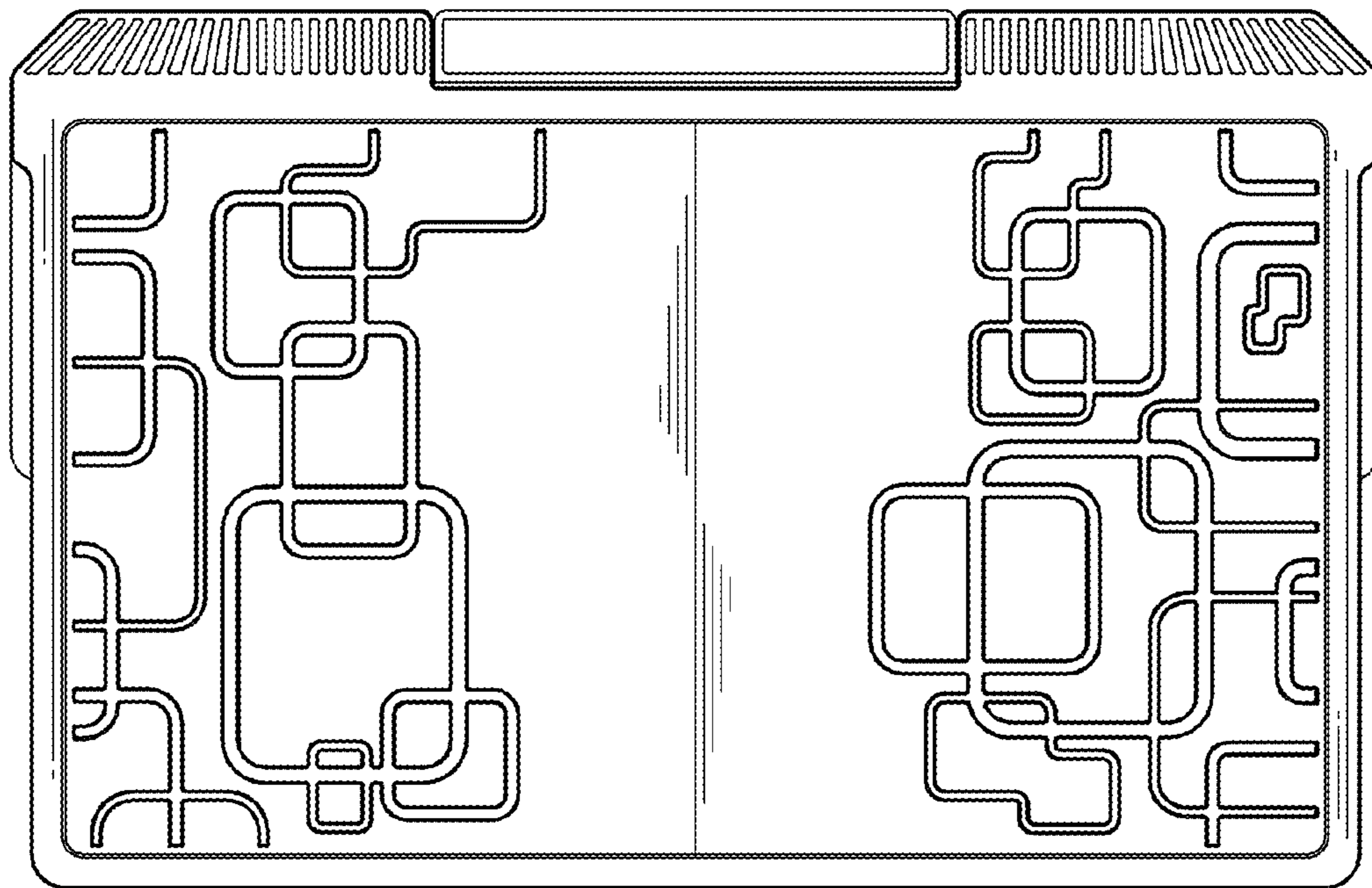


FIG. 2

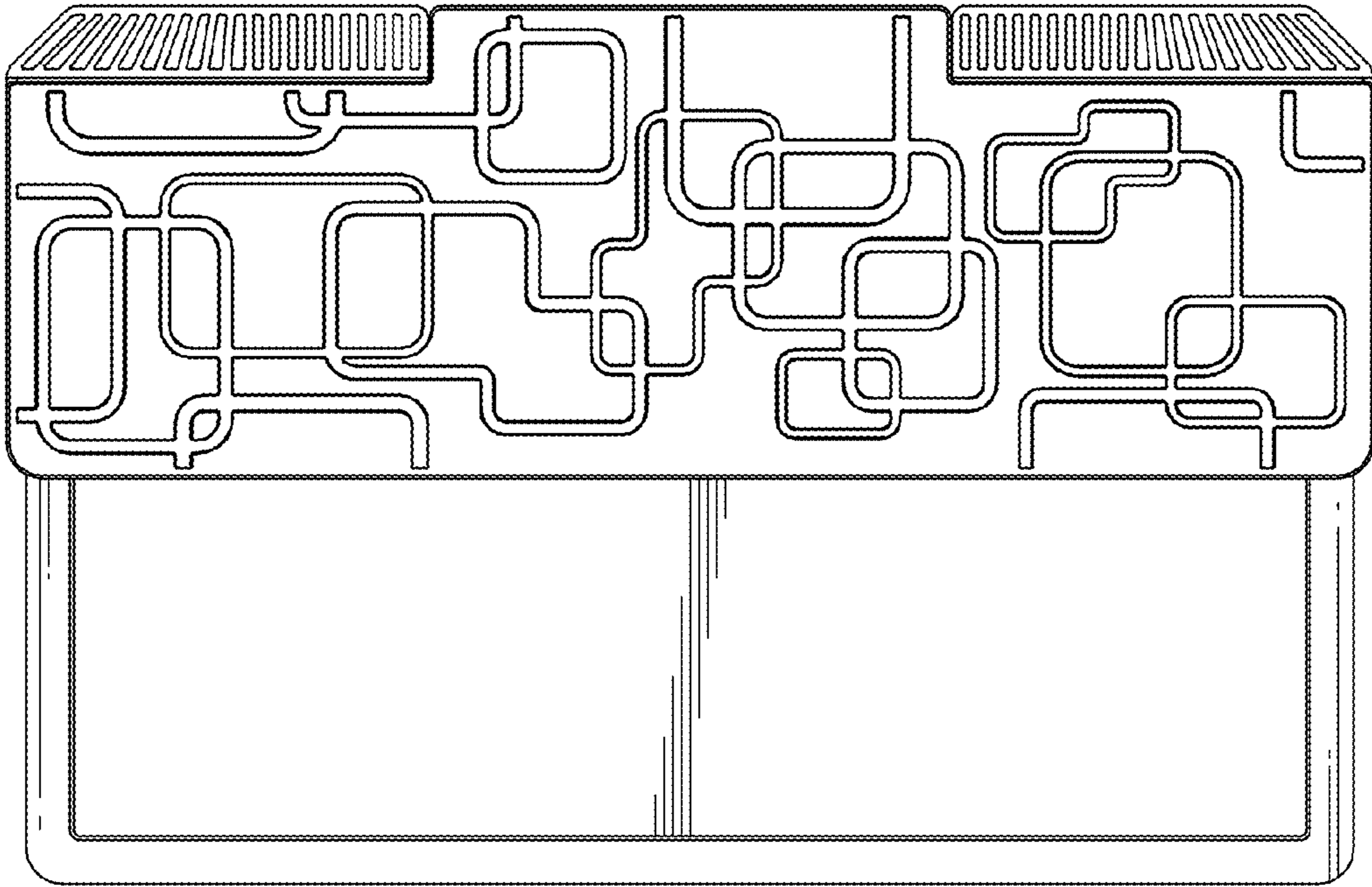


FIG. 3



FIG. 4



FIG. 5



FIG. 6



FIG. 7

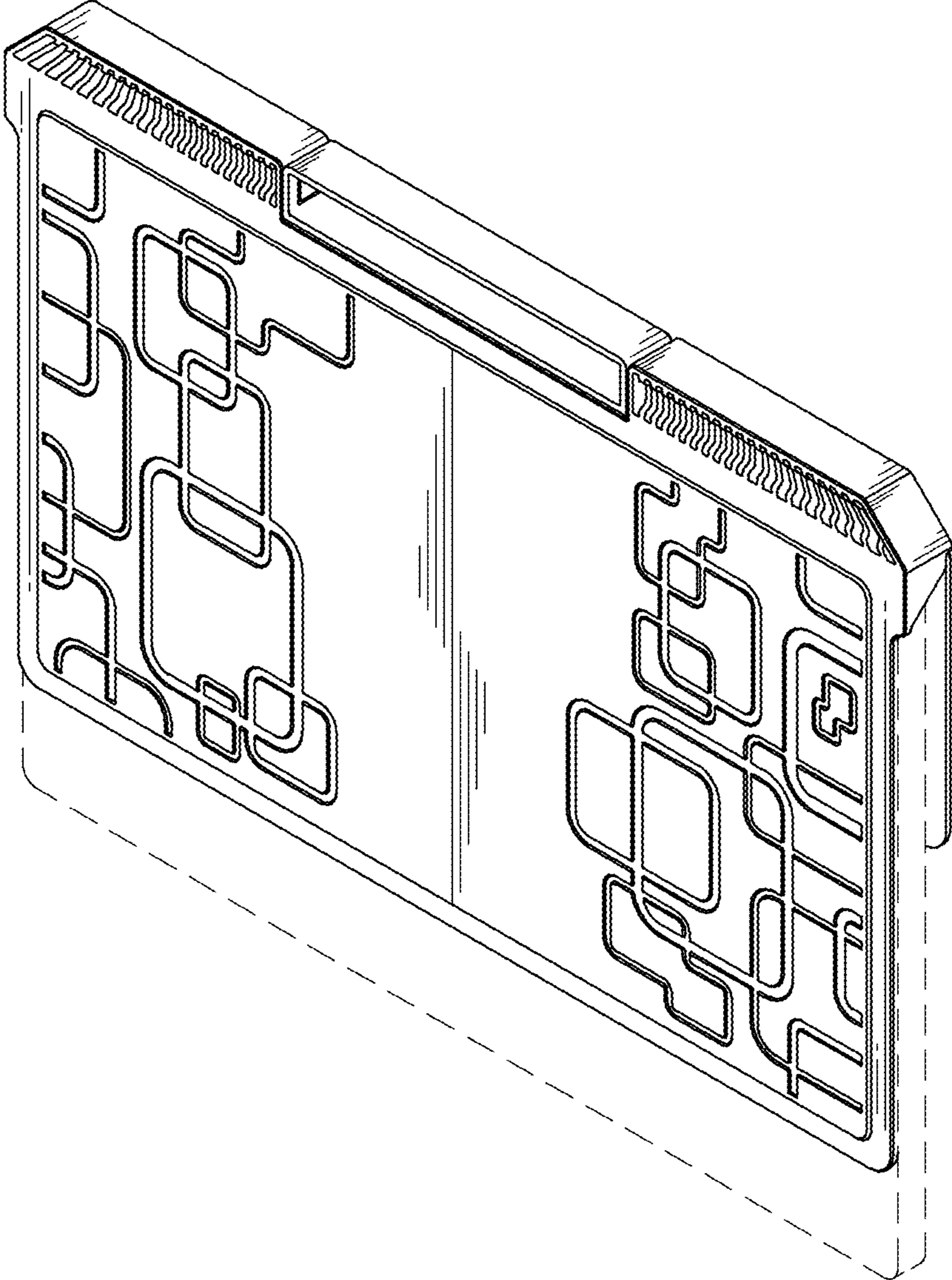


FIG. 8

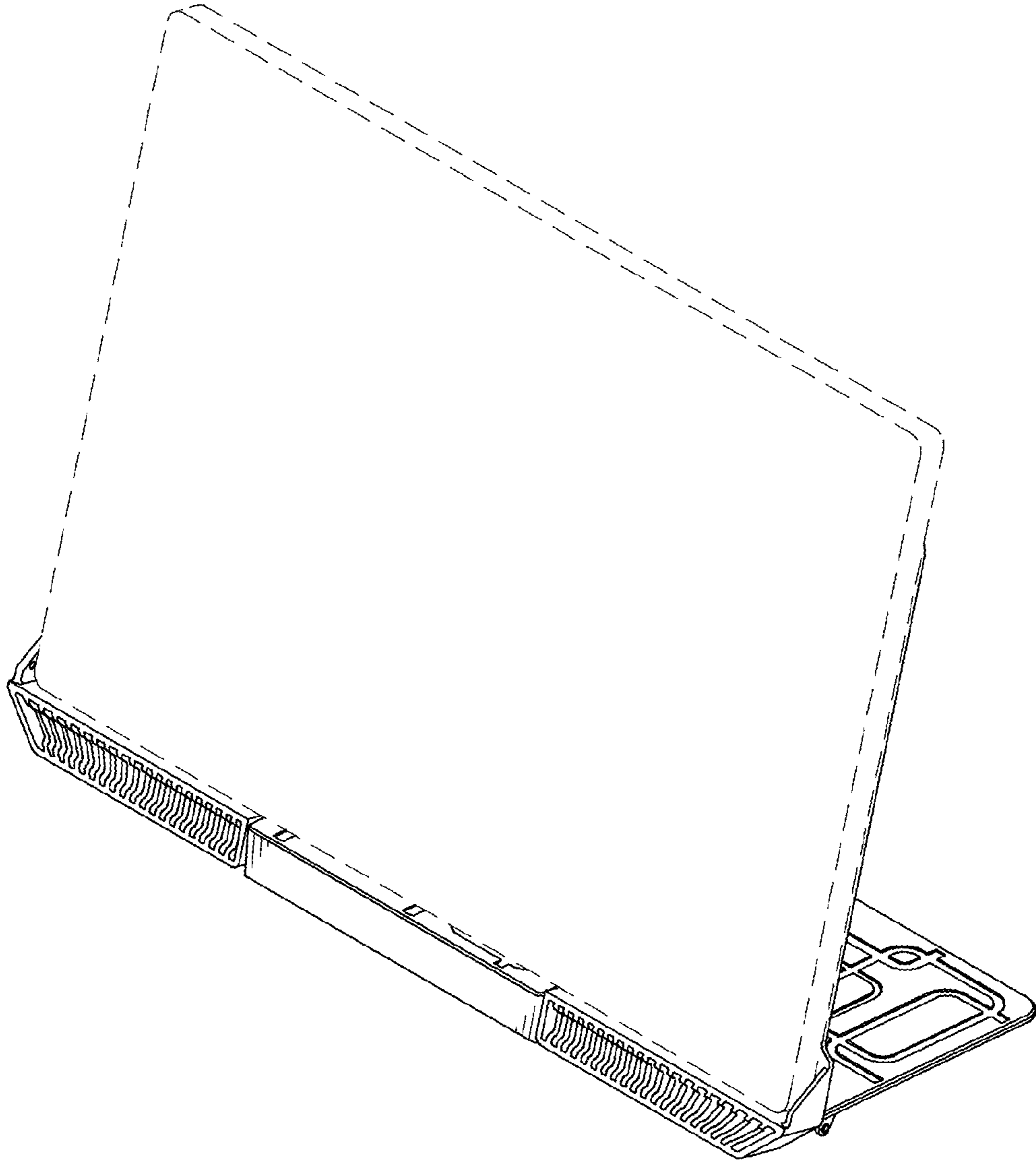


FIG. 9