



US00D688251S

(12) **United States Design Patent**  
**Akana et al.**

(10) **Patent No.:** **US D688,251 S**  
(45) **Date of Patent:** **\*\* Aug. 20, 2013**

(54) **CASE**

220/4.02; 248/309.1; 345/173; 455/575.1,  
455/575.8; 190/100

(75) Inventors: **Jody Akana**, San Francisco, CA (US);  
**Bartley K. Andre**, Palo Alto, CA (US);  
**Jeremy Bataillou**, San Francisco, CA  
(US); **Daniel J. Coster**, San Francisco,  
CA (US); **Daniele De Iuliis**, San  
Francisco, CA (US); **M. Evans Hankey**,  
San Francisco, CA (US); **Julian Hoenig**,  
San Francisco, CA (US); **Richard P.**  
**Howarth**, San Francisco, CA (US);  
**Jonathan P. Ive**, San Francisco, CA  
(US); **Duncan Robert Kerr**, San  
Francisco, CA (US); **Shin Nishibori**,  
Kailua, HI (US); **Matthew Dean**  
**Rohrbach**, San Francisco, CA (US);  
**Peter Russell-Clarke**, San Francisco,  
CA (US); **Christopher J. Stringer**,  
Woodside, CA (US); **Eugene Antony**  
**Whang**, San Francisco, CA (US); **Rico**  
**Zörkendörfer**, San Francisco, CA (US)

See application file for complete search history.

(56)

**References Cited**

U.S. PATENT DOCUMENTS

2,968,176 A	1/1961	Collings	
3,442,371 A	5/1969	Deshong et al.	
4,718,550 A	1/1988	Johnson	
D321,855 S	11/1991	Ross, Jr.	
5,066,158 A	11/1991	Huang	
5,092,354 A	3/1992	Pacelli, Jr.	
D331,191 S	11/1992	Ventola et al.	
D340,701 S *	10/1993	Takeuchi	D14/341
D356,120 S	3/1995	Allen	
D364,191 S	11/1995	Allen	
D409,667 S	5/1999	Riley et al.	
D418,867 S *	1/2000	Platte, III	D19/33
D454,110 S	3/2002	Andre et al.	
D461,469 S *	8/2002	Wang et al.	D14/497
D467,429 S	12/2002	Bone et al.	
D512,100 S	11/2005	Howes et al.	
D517,512 S *	3/2006	Peng	D14/129
D518,007 S *	3/2006	Peng	D14/129
D518,008 S *	3/2006	Peng	D14/129
D538,096 S	3/2007	Bartell et al.	
D538,787 S *	3/2007	Tsai	D14/209.1
D542,772 S *	5/2007	Shimizu	D14/171
D555,667 S *	11/2007	Hussaini et al.	D14/496
D556,681 S	12/2007	Kim	
D557,814 S *	12/2007	Glenn et al.	D24/217
D574,819 S	8/2008	Andre et al.	
D577,743 S *	9/2008	Liu	D14/496
D582,405 S	12/2008	Andre et al.	
D583,360 S *	12/2008	Gredler	D14/171
D583,479 S	12/2008	Yim	
D584,141 S	1/2009	Smith et al.	
D593,540 S *	6/2009	Skurdal	D14/215
D594,876 S *	6/2009	Hwang	D14/496
D599,821 S *	9/2009	Tang	D14/496
D604,744 S *	11/2009	Tseng et al.	D14/496
D606,096 S *	12/2009	Bui	D14/496
D606,751 S	12/2009	Andre et al.	
D608,794 S *	1/2010	Xiao et al.	D14/496
D609,718 S *	2/2010	Chang et al.	D14/496
D616,416 S *	5/2010	Lin	D14/189
D616,464 S *	5/2010	Park	D14/496
D619,361 S	7/2010	Andre et al.	
D622,258 S *	8/2010	Joseph	D14/171
D622,716 S	8/2010	Andre et al.	
D627,777 S	11/2010	Akana et al.	

(73) Assignee: **Apple Inc.**, Cupertino, CA (US)

(\*\*) Term: **14 Years**

(21) Appl. No.: **29/415,062**

(22) Filed: **Mar. 7, 2012**

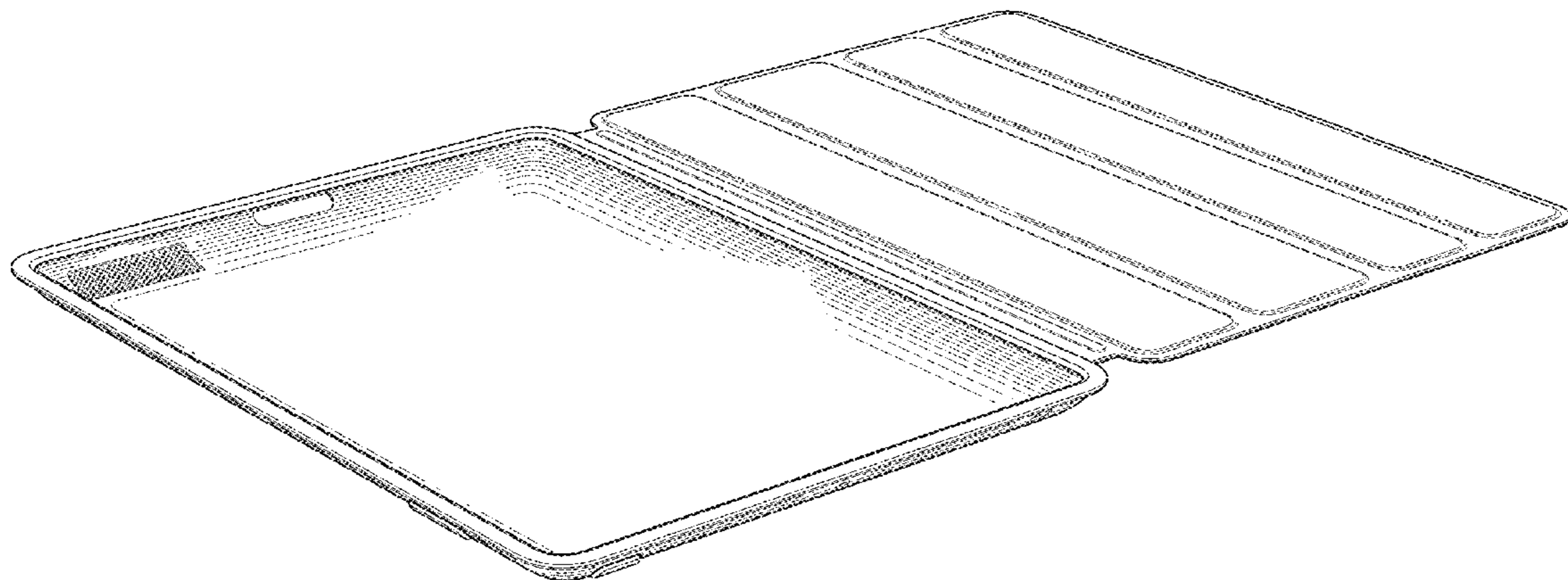
**Related U.S. Application Data**

(63) Continuation of application No. 29/415,035, filed on  
Mar. 6, 2012, now abandoned.

(51) **LOC (9) Cl.** ..... **14-02**

(52) **U.S. Cl.**  
USPC ..... **D14/440**

(58) **Field of Classification Search**  
USPC ..... D14/248, 130, 432, 439, 300, 246,  
D14/223, 138 AA, 240, 217, 496, 250, 251,  
D14/253, 440, 203.3, 203.4, 203.5, 203.8;  
D3/218, 215, 201; 206/320; 361/679.03,  
361/679.56, 683, 679.09; 112/475.19;  
162/134, 140, 231; 156/148, 209; 5/413 AM,  
5/709; 379/88.17, 387.01, 388.02, 419, 440;



D633,388	S	3/2011	Andre et al.	
D637,814	S	5/2011	Akana et al.	
D644,248	S *	8/2011	Kim et al. ....	D14/496
D656,495	S	3/2012	Andre et al.	
8,132,670	B1 *	3/2012	Chen .....	206/320
D656,929	S *	4/2012	Hsiung .....	D14/250
D658,186	S	4/2012	Akana et al.	
D658,187	S	4/2012	Diebel	
D658,188	S	4/2012	Diebel	
D660,833	S *	5/2012	Bau .....	D14/250
D662,100	S	6/2012	Van Den Nieuwenhuizen et al.	
D662,503	S	6/2012	Akana et al.	
D663,724	S *	7/2012	Lee et al. ....	D14/248
D664,564	S *	7/2012	Gillett et al. ....	D14/496
D669,059	S *	10/2012	Huang .....	D14/240
D671,114	S *	11/2012	Akana et al. ....	D14/341
2009/0107858	A1	4/2009	Huang	
2009/0194209	A1	8/2009	De Filippis et al.	
2010/0289390	A1	11/2010	Kenney	
2010/0300909	A1	12/2010	Hung	
2011/0164365	A1 *	7/2011	McClure et al. ....	361/679.3
2011/0227463	A1 *	9/2011	Hou et al. ....	312/223.1

FOREIGN PATENT DOCUMENTS

EM	001266266-0001	3/2011
EM	001266282-0001	3/2011
EM	001266290-0001	3/2011
GB	4020173	6/2011

OTHER PUBLICATIONS

Incase, "Introducing the Convertible Magazine Jacket for iPad," goincase.com, accessed at <http://goincase.com/blog/2010/11/23/introducing-the-convertible-magazine-jacket-for-ipad/>, posted Nov. 23, 2010, 7 pages.

Case-Parts, "Original Targus Folding Genuine Leather Case for Apple iPad with Built-in Holder," <http://www.case-parts.com/details/Original-Targus-Folding-Genuine-Leather-Case-for-Apple-iPad-with-Built-in-Holder-IPAD-570/photos.htm>, 3 pages.

Design U.S. Appl. No. 29/382,846, filed Jan. 7, 2011, "Portable Display Device," Andre et al. (not published).

"Review: A ViiQ Smart Case for iPad 2", which was published on YouTube at <http://www.youtube.com/watch?v=DaHizeVWEuA>, May 24, 2011, 3 pages.

"A ViiQ Smart Case for iPad 2 compliments Apple's Smart Cover (Review)", which was published on YouTube at <http://www.youtube.com/watch?v=wMoZM-ZSn4g>, Aug. 31, 2011, 2 pages.

Youtube.com, "iPad 2—Best Protective Case—Smart Cover + Smart Back Cover by Simplism", (<http://www.youtube.com/watch?v=SRHhU98NAd0&feature=endscreen&NR=1>), May 15, 2011, 2 pages.

\* cited by examiner

Primary Examiner — Cynthia Underwood  
(74) Attorney, Agent, or Firm — Sterne, Kessler, Goldstein & Fox PLLC

(57) **CLAIM**  
The ornamental design for a case, as shown and described.

**DESCRIPTION**

FIG. 1 is a top front perspective view of a case in an open position showing our new design in an open position; FIG. 2 is a bottom rear perspective view thereof; FIG. 3 is a front view thereof; FIG. 4 is a rear view thereof; and FIG. 5 is a bottom view thereof; FIG. 6 is a top view thereof; FIG. 7 is a left side view thereof showing the case in an open position; FIG. 8 is a right side view thereof showing the case in an open position; FIG. 9 is a front view thereof showing the case in a closed position; FIG. 10 is a bottom view of the case in an open position in two parts; FIG. 11 is a top view thereof in two parts; FIG. 12 is a cross-sectional view taken along line 12-12 of FIG. 3; FIG. 13 is a cross-sectional view taken along line 13-13 of FIG. 9; FIG. 14 is a cross-sectional view taken along lines 14-14 of FIG. 3; and, FIG. 15 is an enlarged cross-sectional view of a portion of FIG. 14.

The broken lines in the Figures show portions of the case which form no part of the claimed design.

The dot-dash-dot lines in FIGS. 10 and 11 show the location at which the two parts of each figure are divided for ease of illustration, and form no part of the claimed design. The dot-dot-dash line in FIG. 14 forms no part of the claimed design.

**1 Claim, 9 Drawing Sheets**

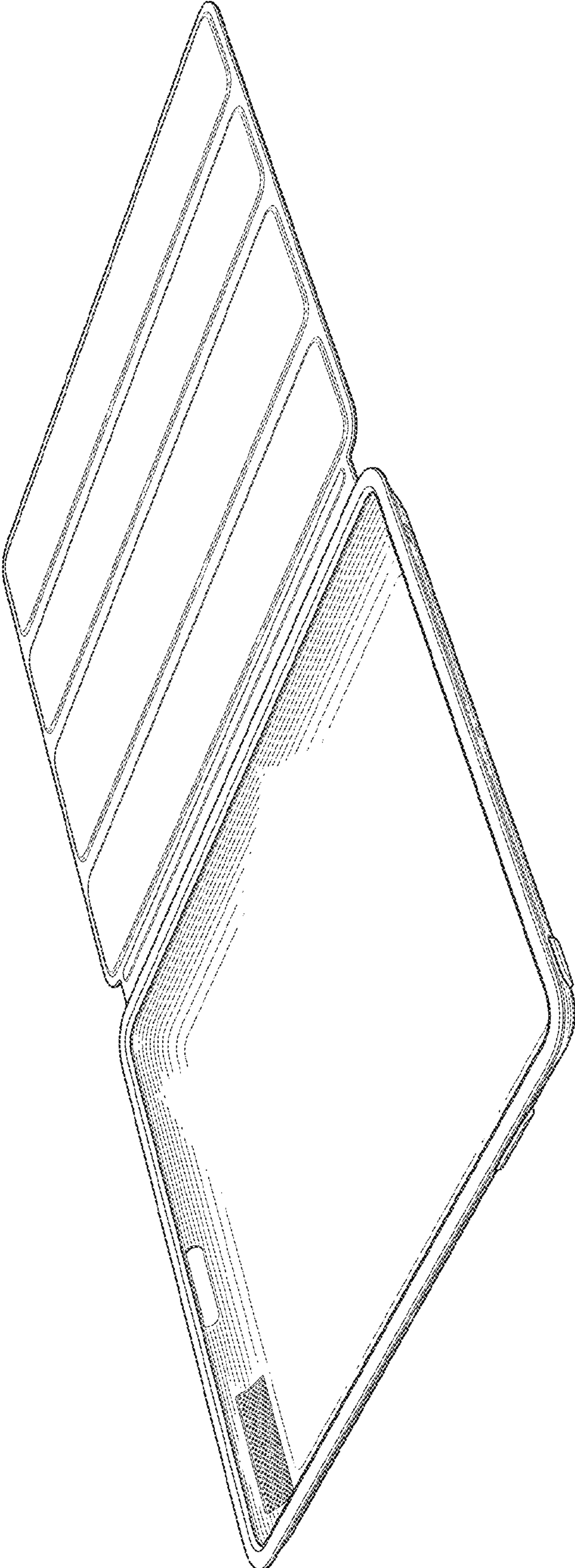


FIG. 1

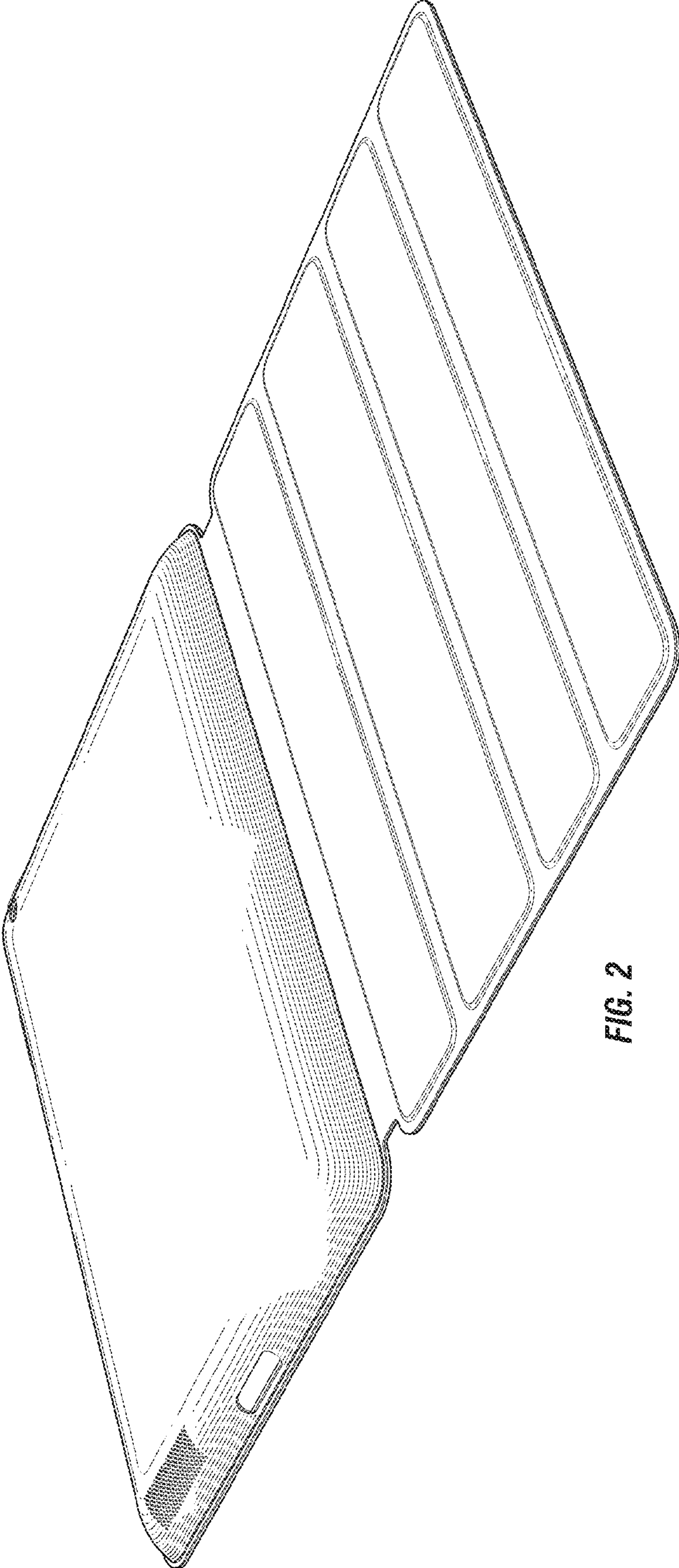


FIG. 2

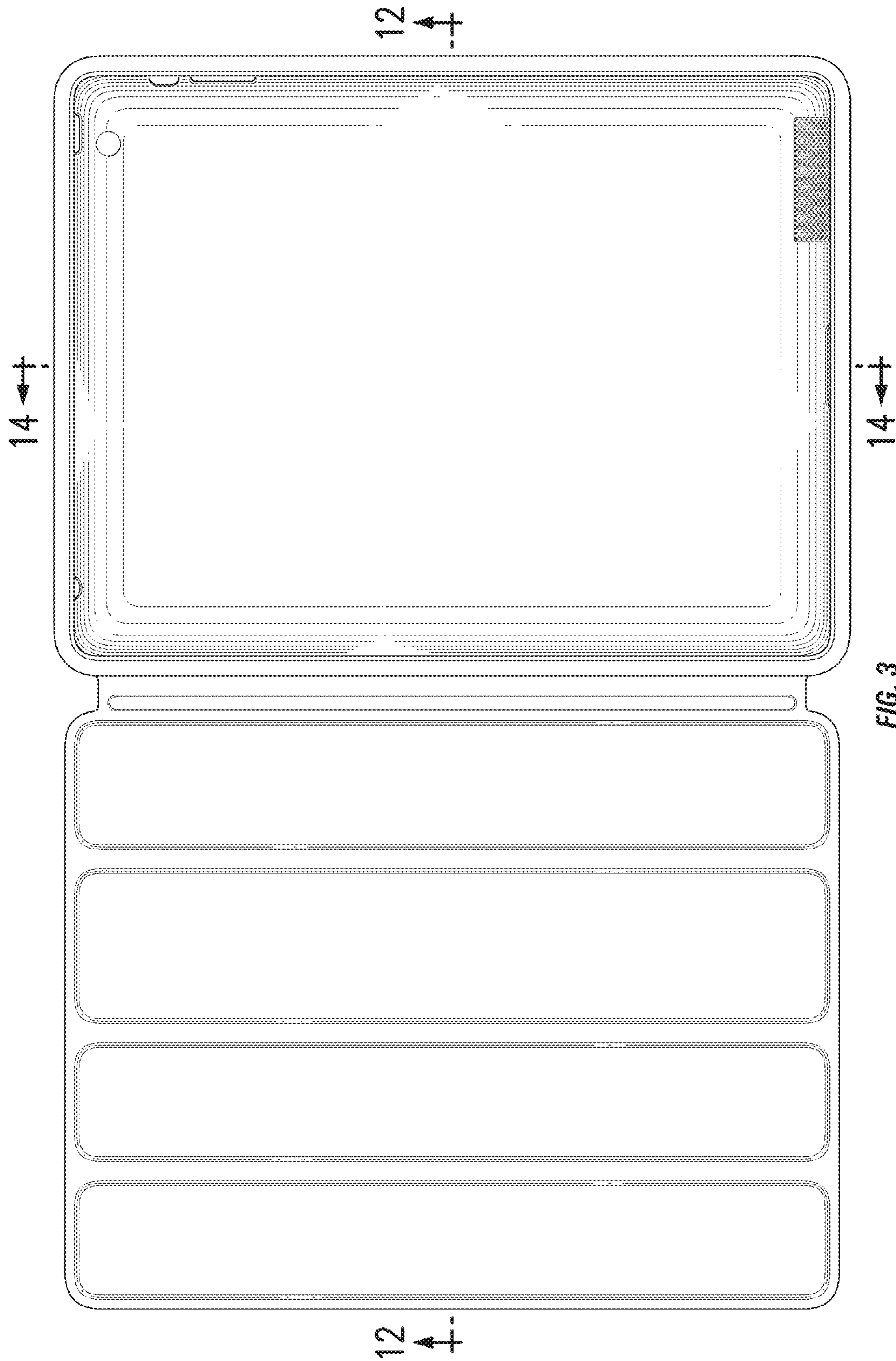


FIG. 3

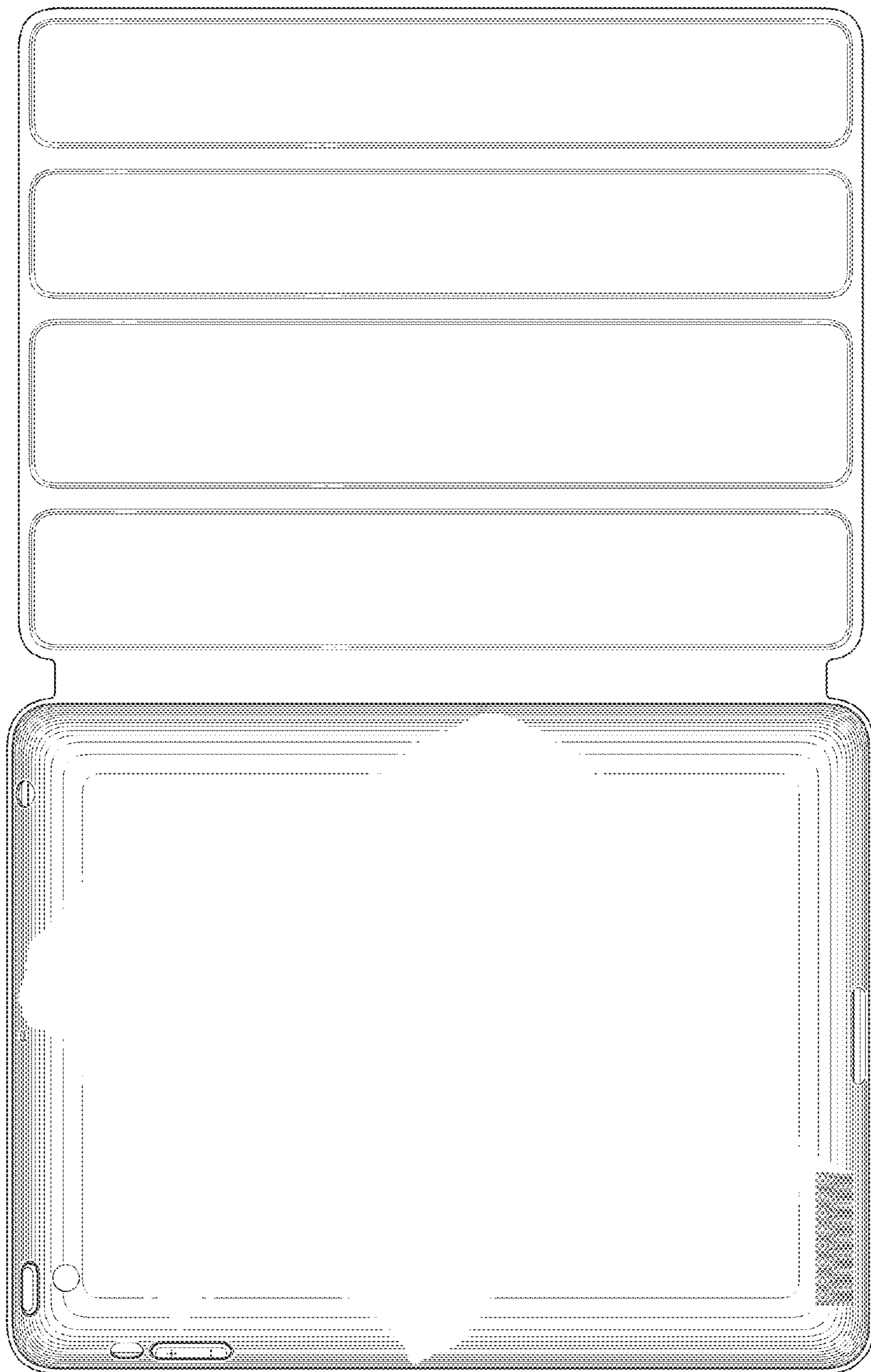


FIG. 4

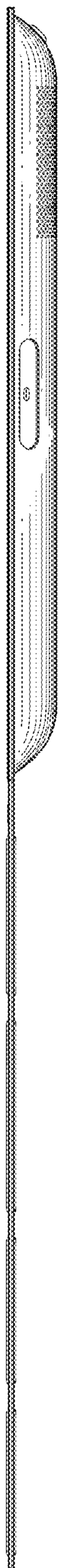


FIG. 5

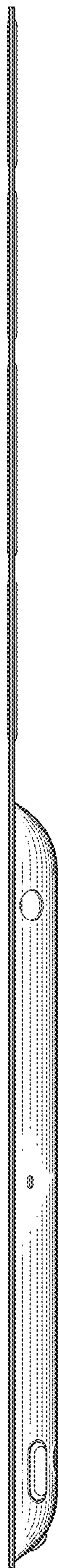


FIG. 6

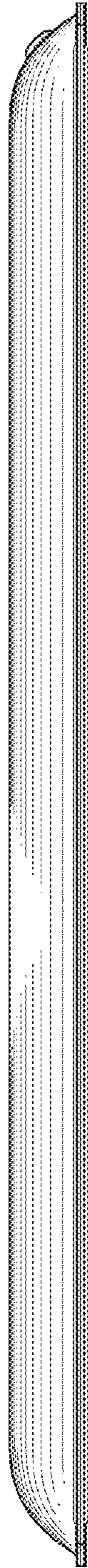


FIG. 7

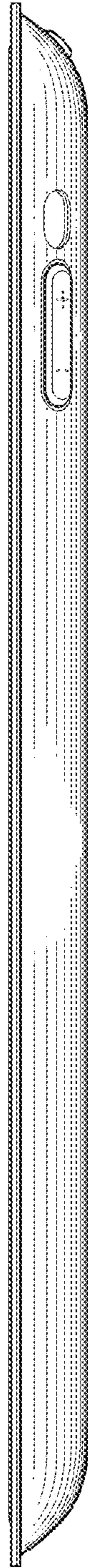


FIG. 8



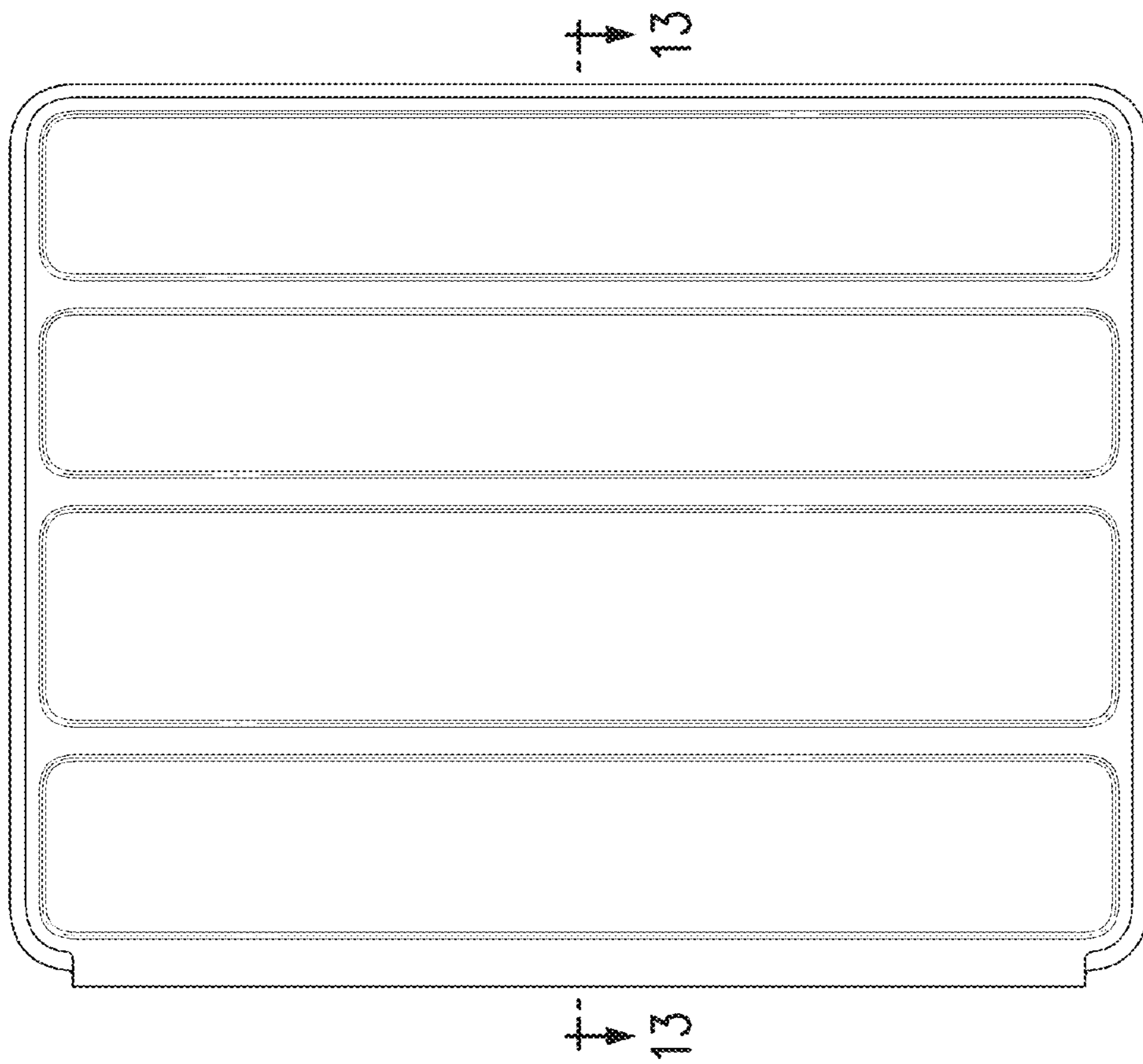


FIG. 9

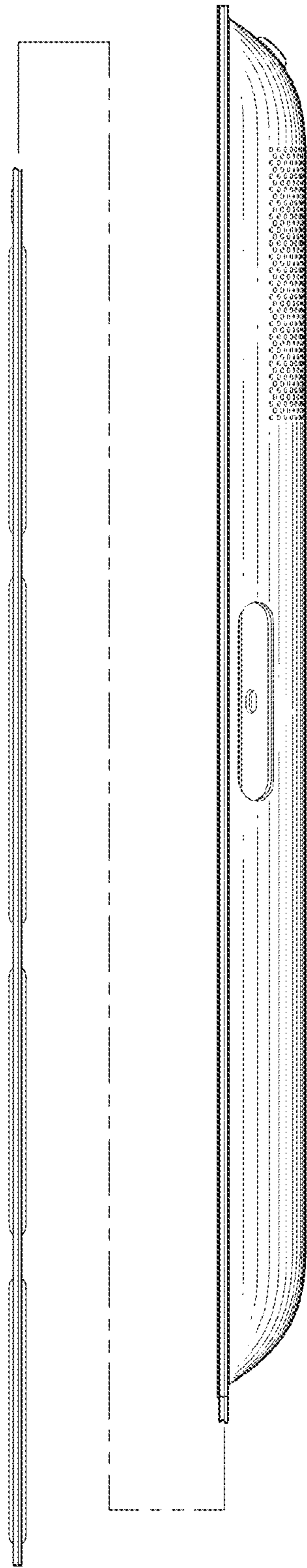


FIG. 10

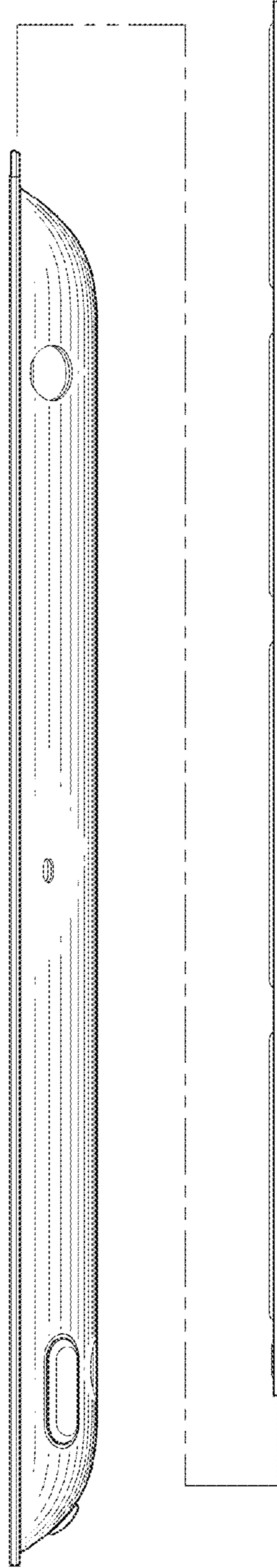


FIG. 11

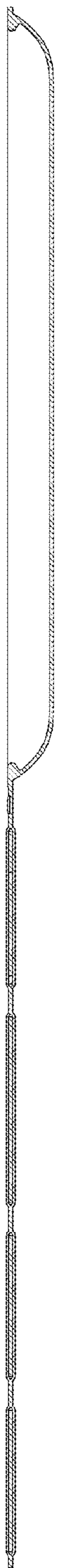


FIG. 12

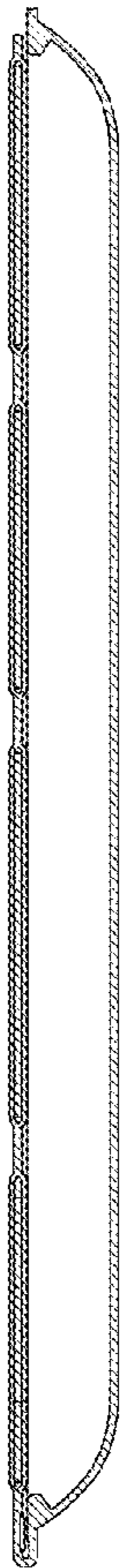


FIG. 13

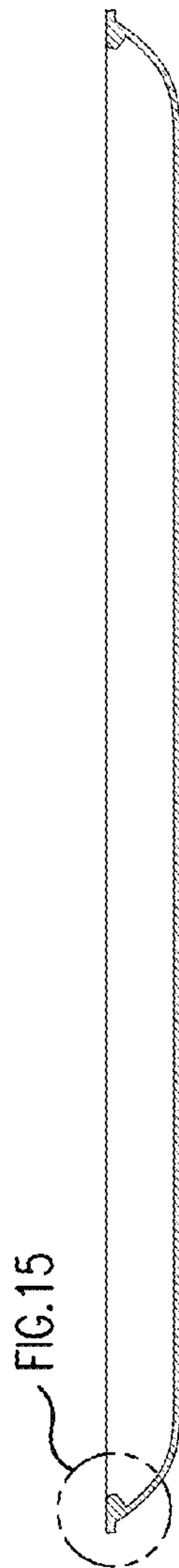


FIG. 14

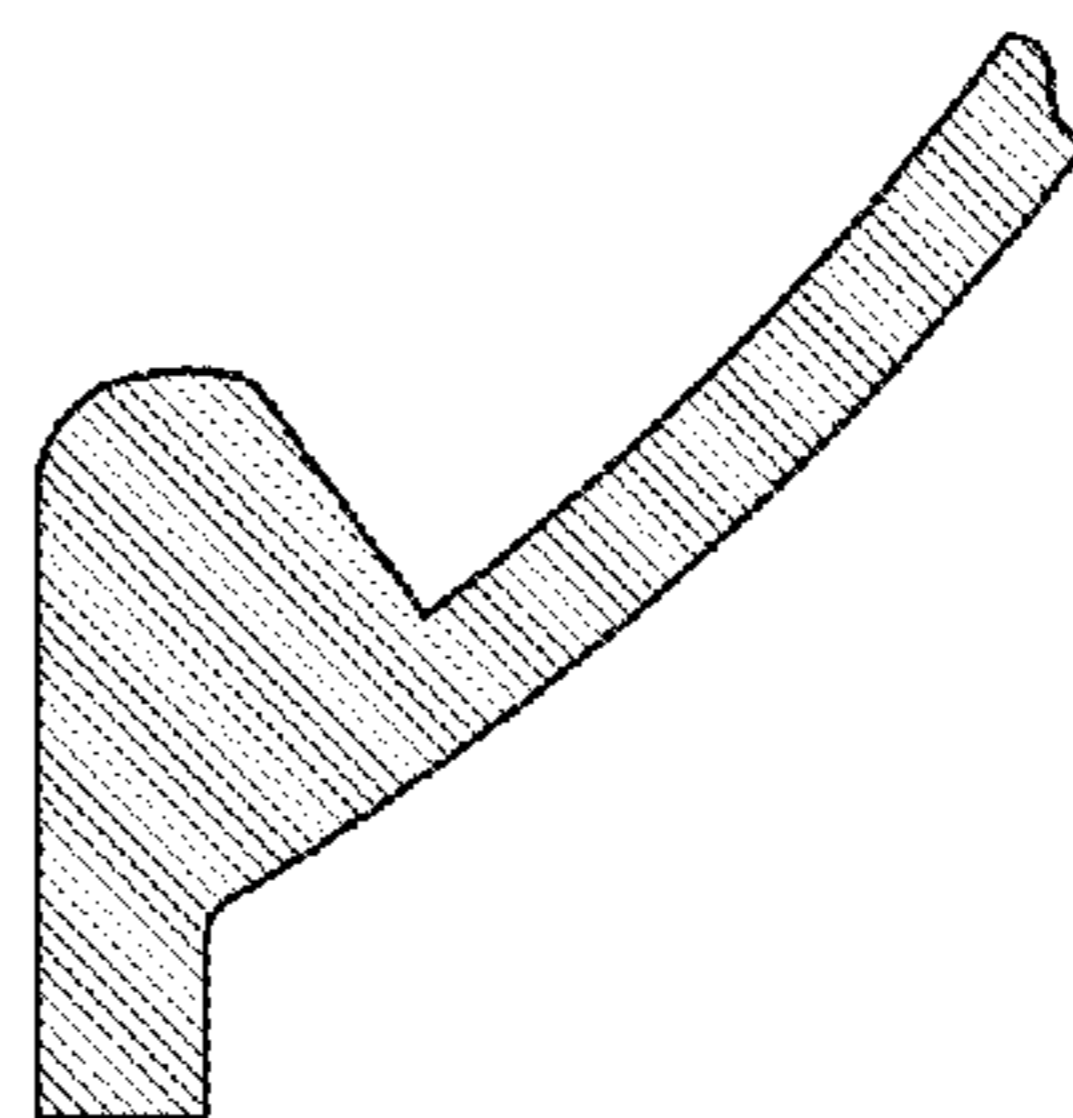


FIG. 15