



US00D688250S

(12) **United States Design Patent**  
**Phillips et al.**

(10) **Patent No.:** **US D688,250 S**

(45) **Date of Patent:** **\*\* Aug. 20, 2013**

(54) **ELECTRONIC DEVICE CONVERTIBLE CASE**

(75) Inventors: **Alison Phillips**, Toronto (CA); **Caitlin Curran-Blaney**, Toronto (CA); **Todd Andrew Wood**, Toronto (CA)

(73) Assignee: **Research In Motion Limited**, Waterloo, Ontario (CA)

(\*\*) Term: **14 Years**

(21) Appl. No.: **29/410,953**

(22) Filed: **Jan. 13, 2012**

(51) **LOC (9) Cl.** ..... **14-02**

(52) **U.S. Cl.**  
USPC ..... **D14/440**

(58) **Field of Classification Search**  
USPC ..... D14/447, 440, 439, 250, 251, 252,  
D14/432; 361/679.56; 220/4.02  
See application file for complete search history.

(56) **References Cited**

U.S. PATENT DOCUMENTS

D118,197 S \* 12/1939 Trussell ..... D19/26  
D323,348 S \* 1/1992 Tooker ..... D19/26

D374,037 S \* 9/1996 Wyant et al. .... D19/26  
D449,166 S \* 10/2001 Shapiro ..... D3/303  
D529,963 S \* 10/2006 Hough et al. .... D19/90  
D600,699 S \* 9/2009 Johnston et al. .... D14/440  
D649,185 S \* 11/2011 Bakrania ..... D19/26  
D678,884 S \* 3/2013 Phillips et al. .... D14/440  
D679,279 S \* 4/2013 Yang et al. .... D14/440  
2010/0300909 A1 \* 12/2010 Hung ..... 206/320

\* cited by examiner

*Primary Examiner* — Cynthia Underwood

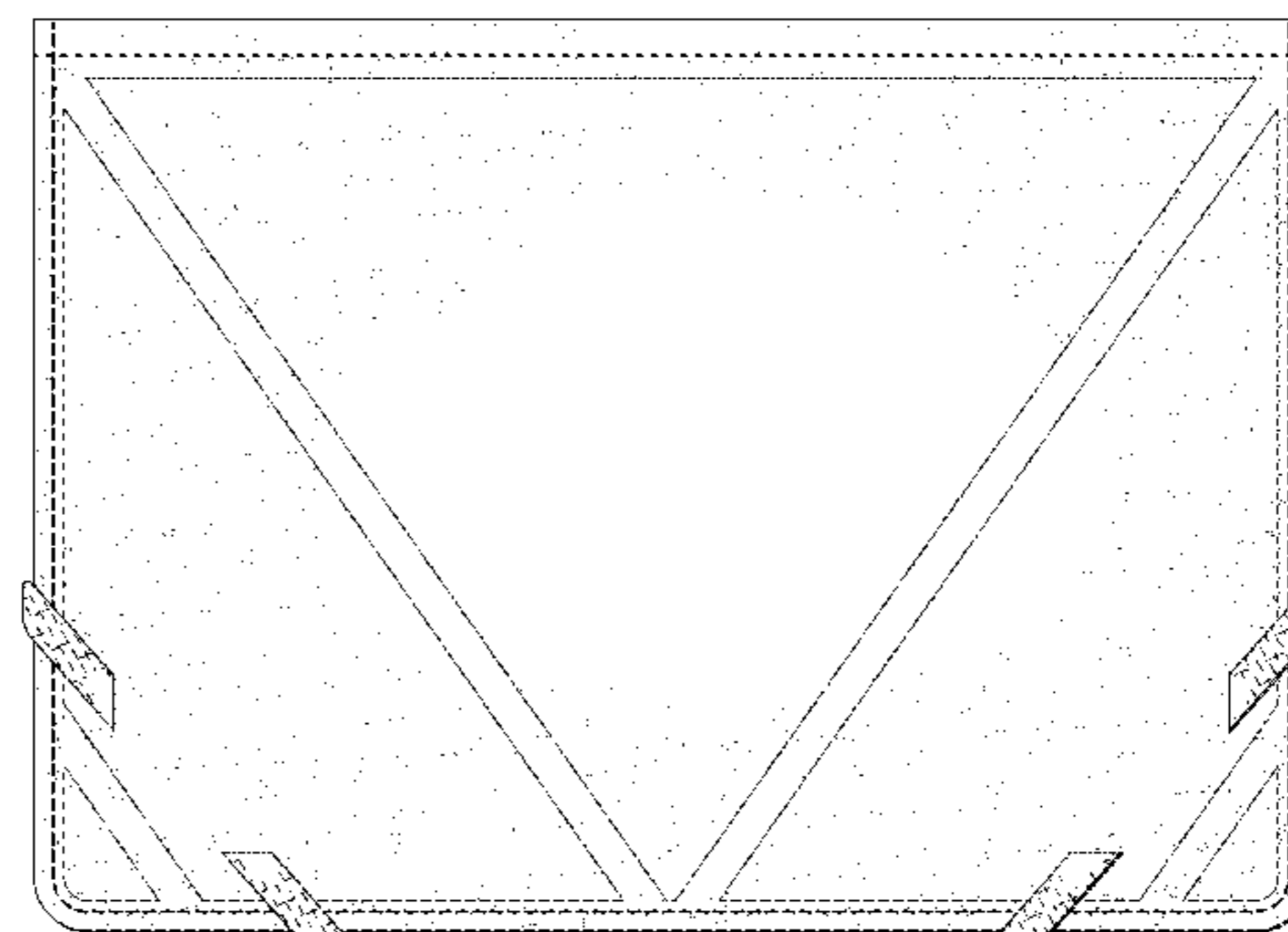
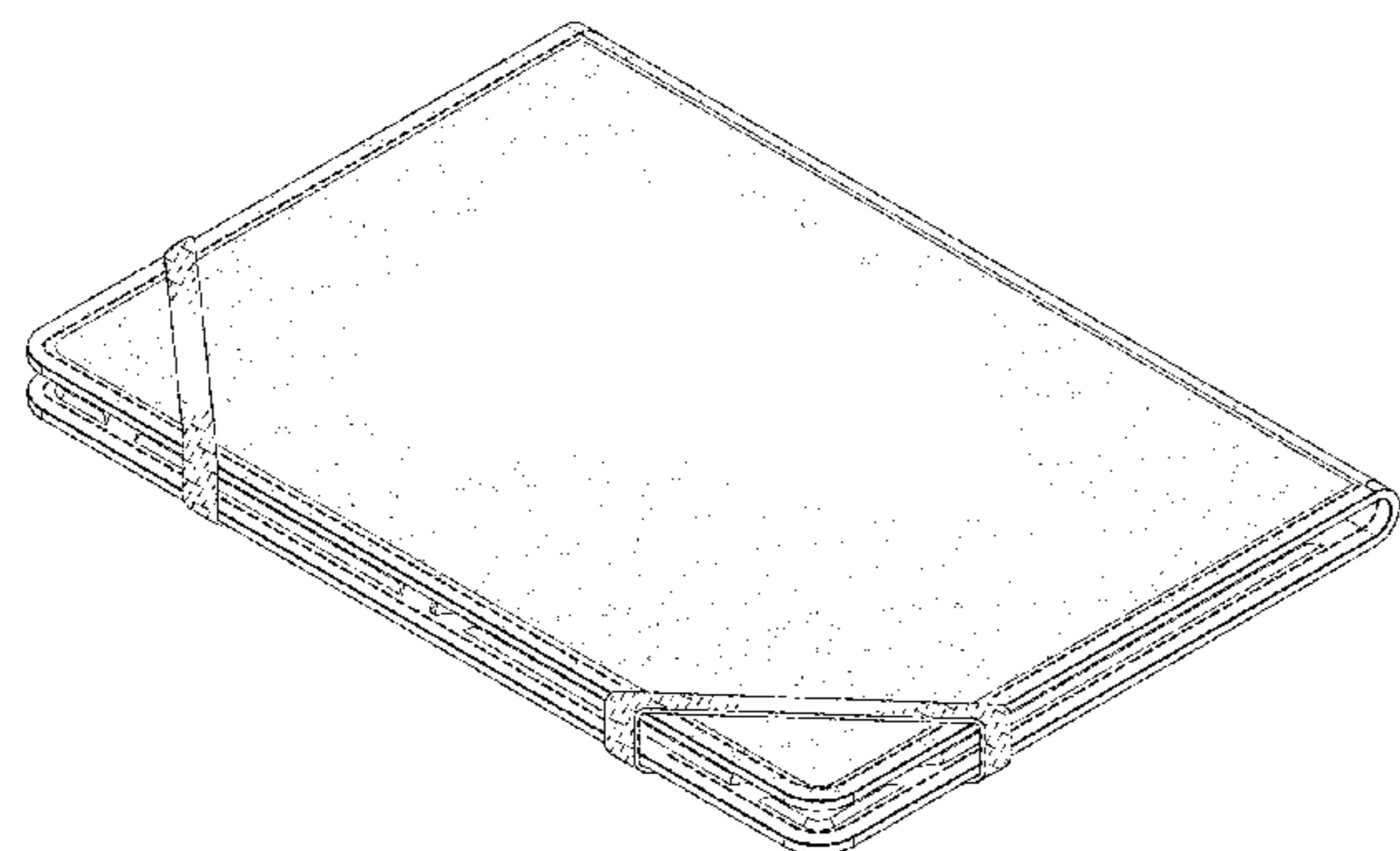
(57) **CLAIM**

We claim the ornamental design for an electronic device convertible case, as shown and described.

**DESCRIPTION**

FIG. 1 is a front perspective view of an electronic device convertible case;  
FIG. 2 is a top plan view of the electronic device convertible case;  
FIG. 3 is a bottom plan view thereof;  
FIG. 4 is a left elevational view thereof;  
FIG. 5 is a right bottom elevational view thereof;  
FIG. 6 is a back elevational view thereof; and,  
FIG. 7 is a front bottom elevational view thereof.  
The broken lines represent stitching are part of the claim.

**1 Claim, 5 Drawing Sheets**



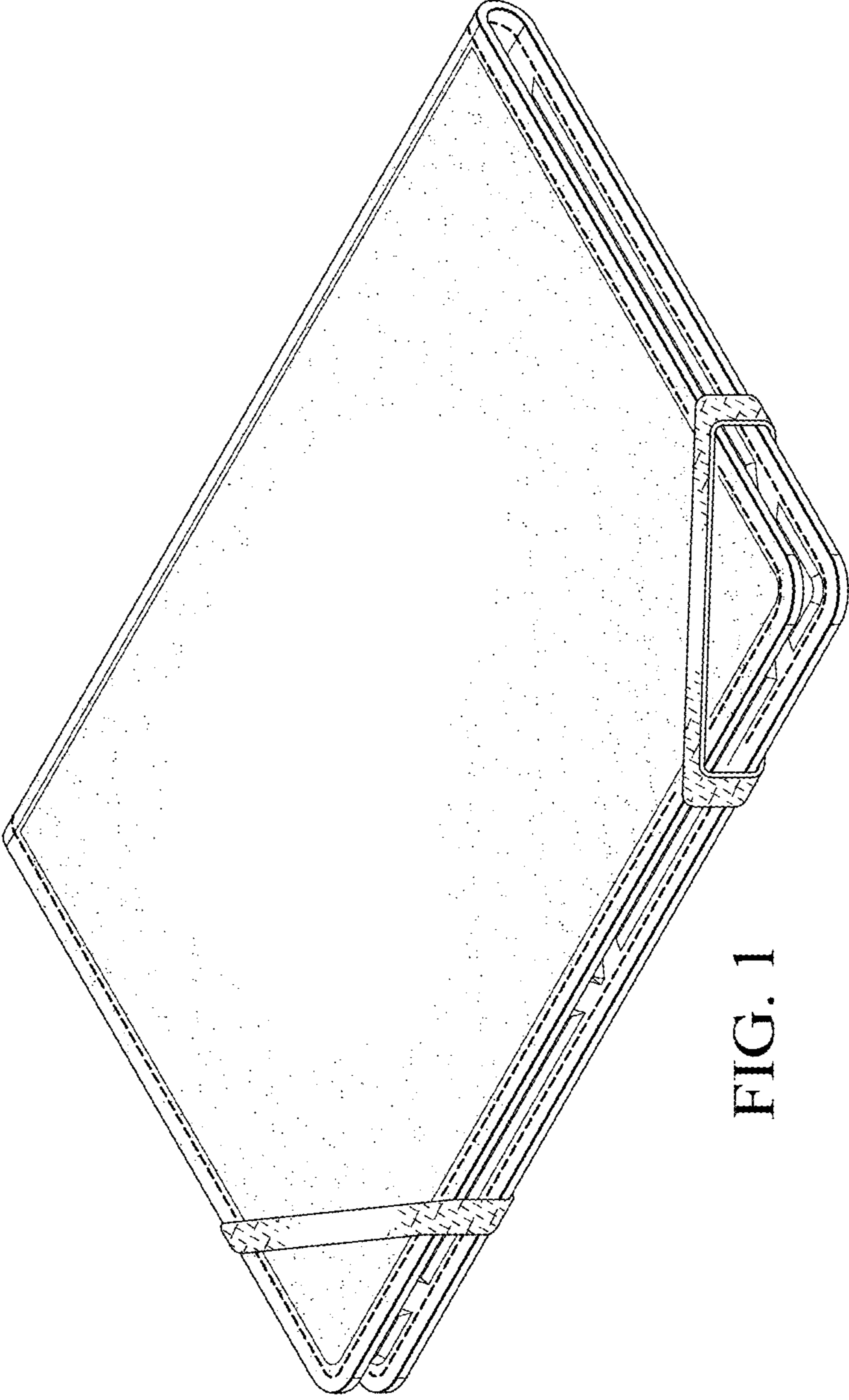


FIG. 1

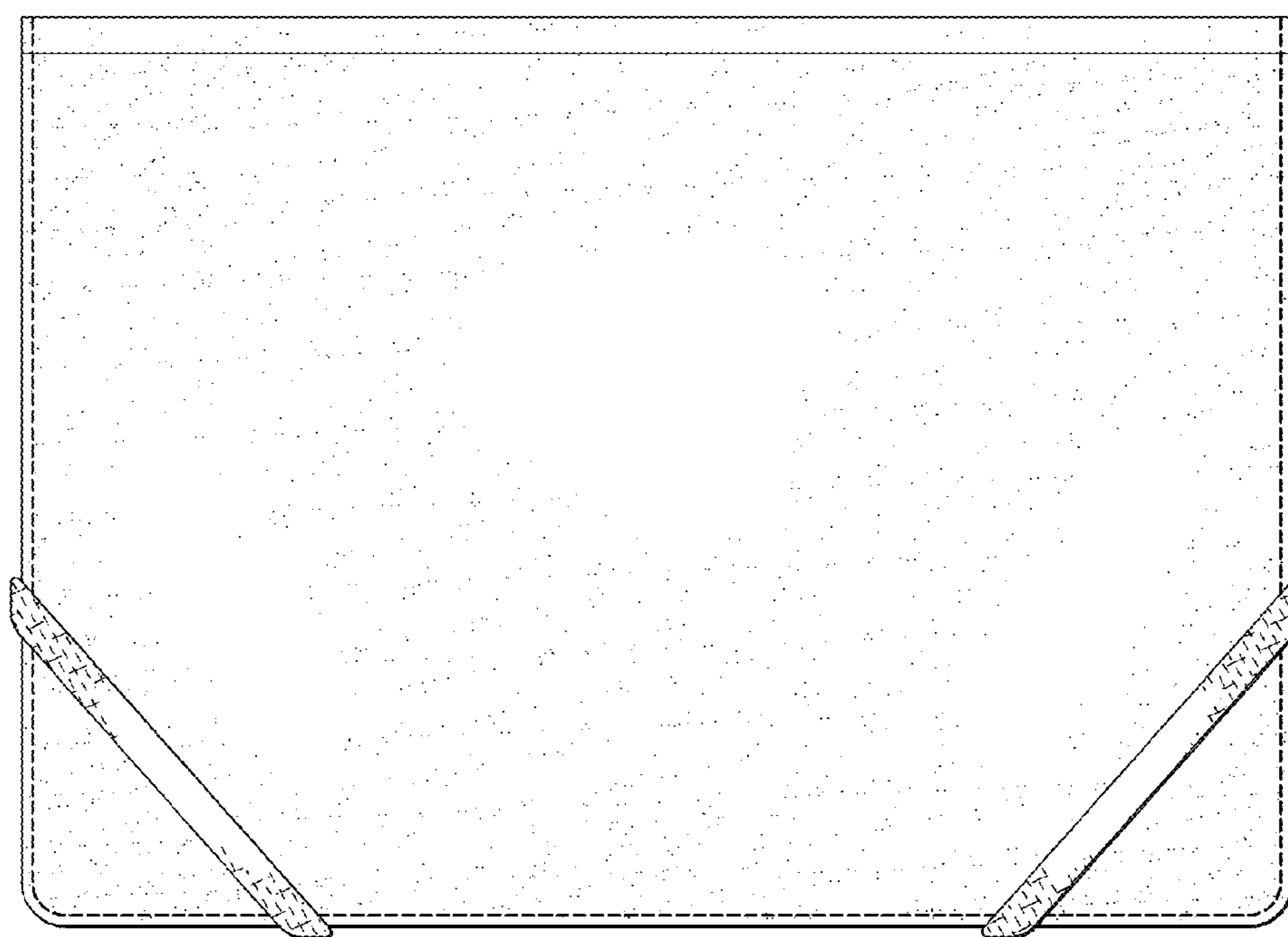


FIG. 2

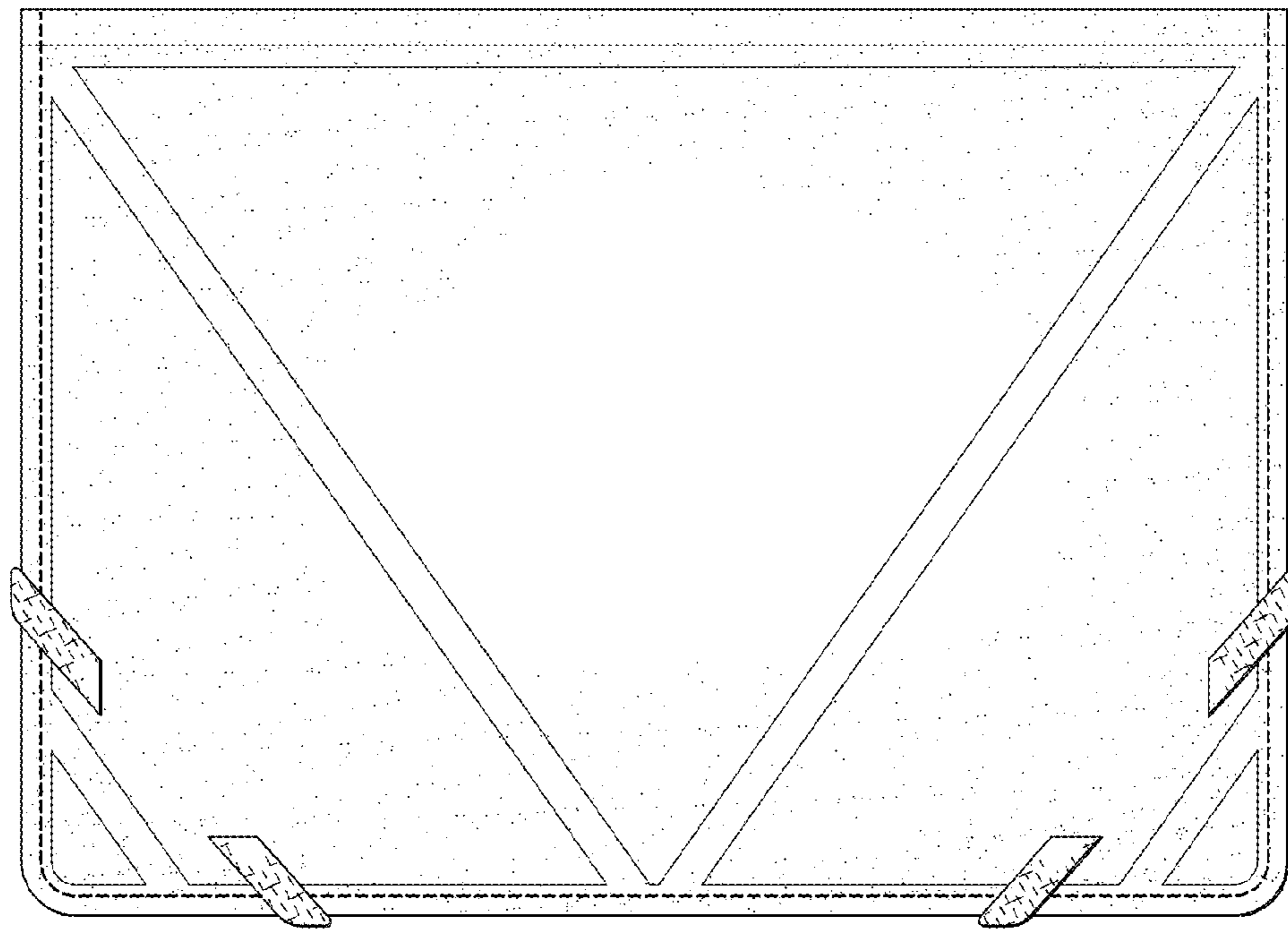


FIG. 3

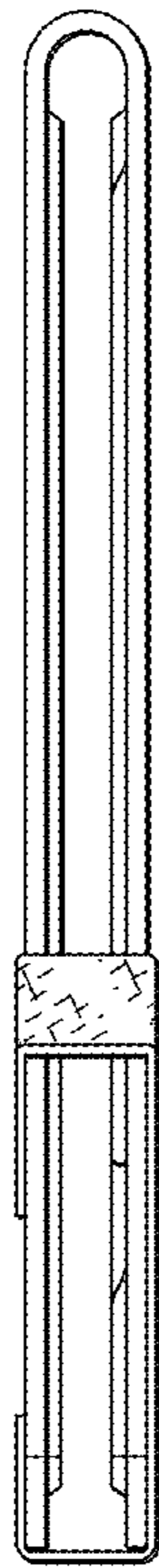


FIG. 4

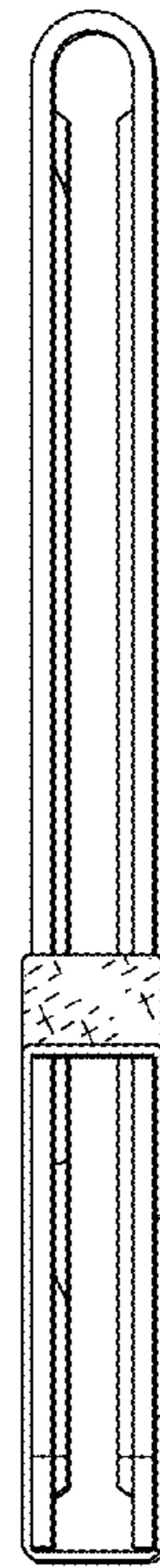


FIG. 5

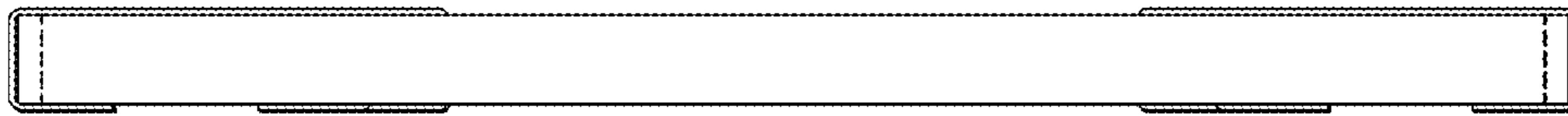


FIG. 6

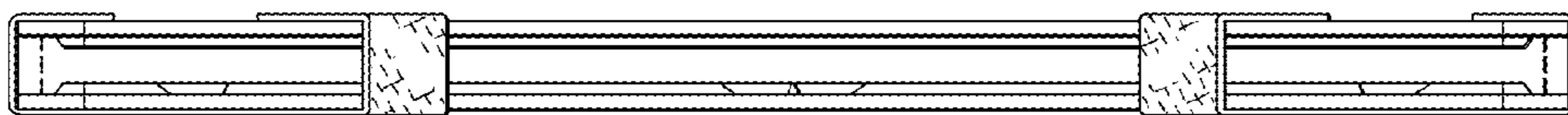


FIG. 7