



US00D688248S

(12) **United States Design Patent**
Tsuda et al.

(10) **Patent No.:** **US D688,248 S**

(45) **Date of Patent:** **** Aug. 20, 2013**

(54) **SIGNAL CONVERSION MODULE FOR RECORDER**

(71) Applicant: **Yokogawa Electric Corporation,**
Musashino (JP)

(72) Inventors: **Toshiro Tsuda,** Musashino (JP); **Noriaki Senba,** Musashino (JP); **Yuusuke Fujitani,** Musashino (JP)

(73) Assignee: **Yokogawa Electric Corporation,** Tokyo (JP)

(**) Term: **14 Years**

(21) Appl. No.: **29/445,547**

(22) Filed: **Feb. 13, 2013**

(30) **Foreign Application Priority Data**

Aug. 22, 2012 (JP) 2012-020080

(51) **LOC (9) Cl.** **14-02**

(52) **U.S. Cl.**
USPC **D14/439; D14/433**

(58) **Field of Classification Search**
USPC D14/300–302, 308–313, 314, 348,
D14/353–355, 432, 439–446, 240; 361/679.02,
361/679.31, 679.5, 690, 694, 679.23, 801,
361/802; 312/332.1, 334.1; D13/162; D10/50

See application file for complete search history.

(56) **References Cited**

U.S. PATENT DOCUMENTS

D374,663	S	*	10/1996	Rodrigues et al.	D14/433
D391,938	S	*	3/1998	D'Agaro et al.	D14/439
D434,395	S	*	11/2000	Mazzetti et al.	D14/439
D474,154	S	*	5/2003	Lai	D13/147
D488,815	S	*	4/2004	Hashimoto et al.	D14/433
D523,014	S	*	6/2006	Liu et al.	D14/433
D524,815	S	*	7/2006	McRae et al.	D14/433
D539,852	S	*	4/2007	Hussaini et al.	D21/332
D583,379	S	*	12/2008	Lindner et al.	D14/439
D583,380	S	*	12/2008	Lindner et al.	D14/439
D609,195	S	*	2/2010	Yamashita et al.	D13/162

* cited by examiner

Primary Examiner — Austin Murphy

(74) *Attorney, Agent, or Firm* — Sugrue Mion, PLLC

(57) **CLAIM**

The ornamental design for a signal conversion module for recorder, as shown and described.

DESCRIPTION

FIG. 1 is a perspective view of front, top and right side of a signal conversion module for recorder according to our new design;

FIG. 2 is a front view thereof;

FIG. 3 is a rear view thereof;

FIG. 4 is a left side view thereof;

FIG. 5 is a right side view thereof;

FIG. 6 is a top view thereof;

FIG. 7 is a bottom view thereof; and,

FIG. 8 is a perspective view showing a state that a terminal cover is attached thereof.

The portions of the article in broken lines are shown for illustrative purposes only and form no part of the claimed design.

1 Claim, 8 Drawing Sheets

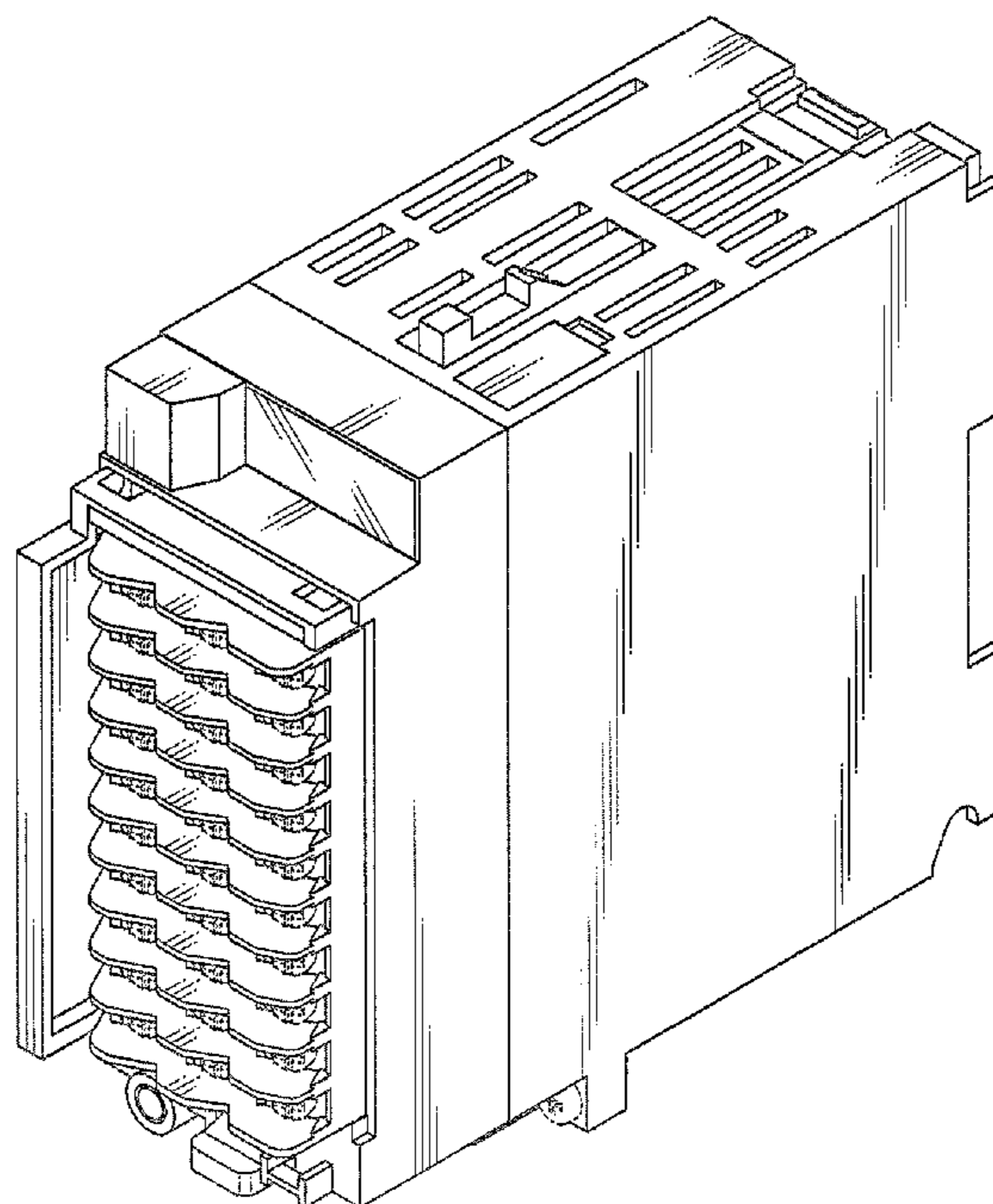


Fig. 1

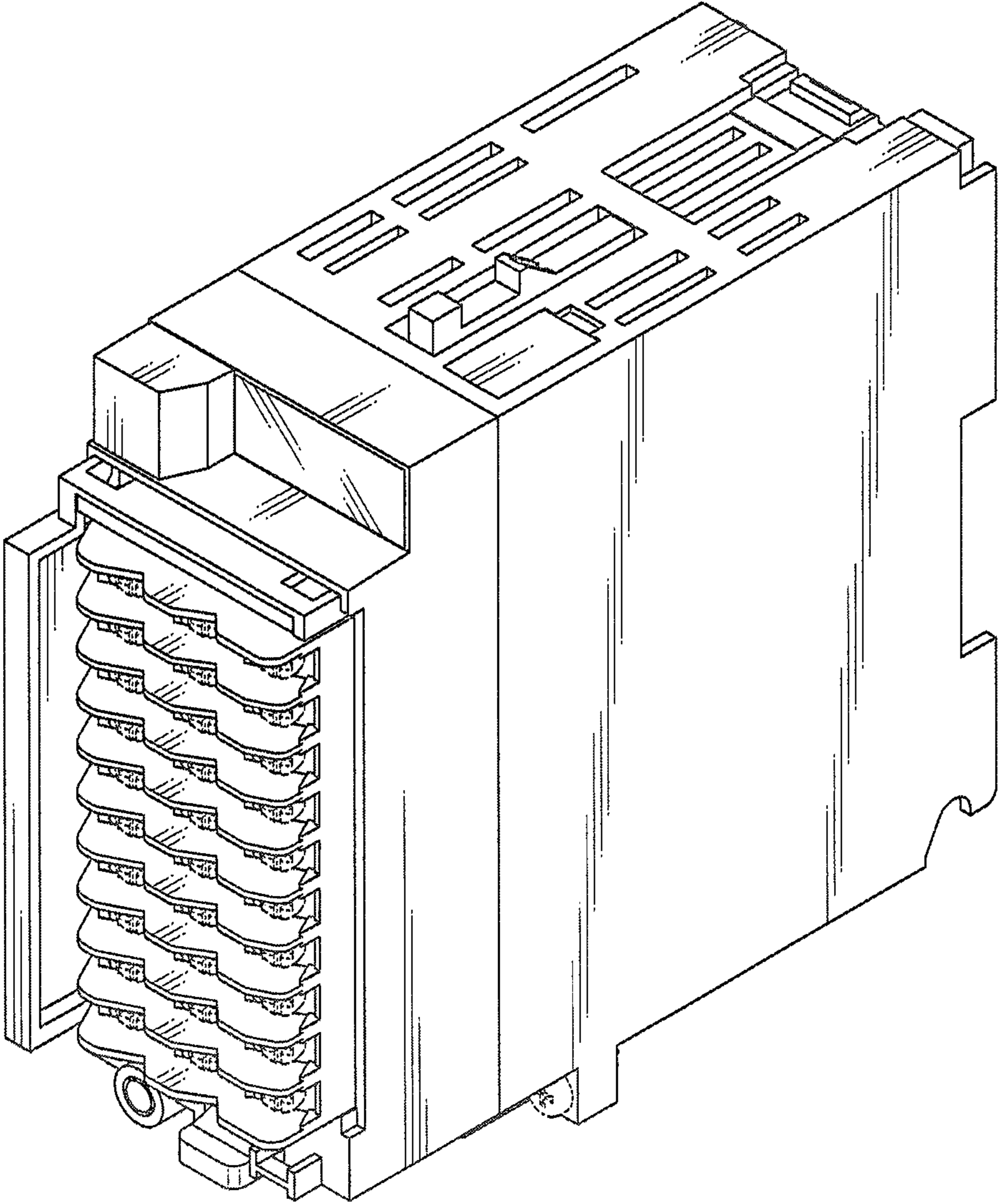


Fig. 2

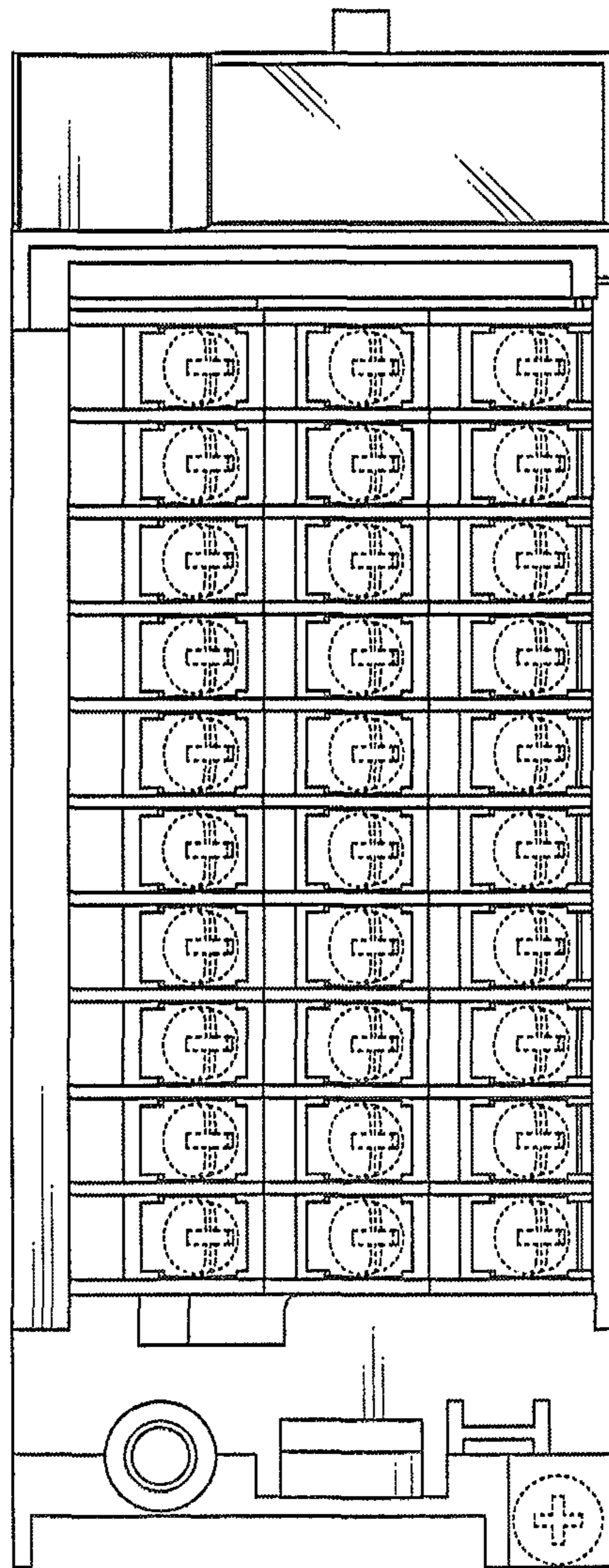


Fig. 3

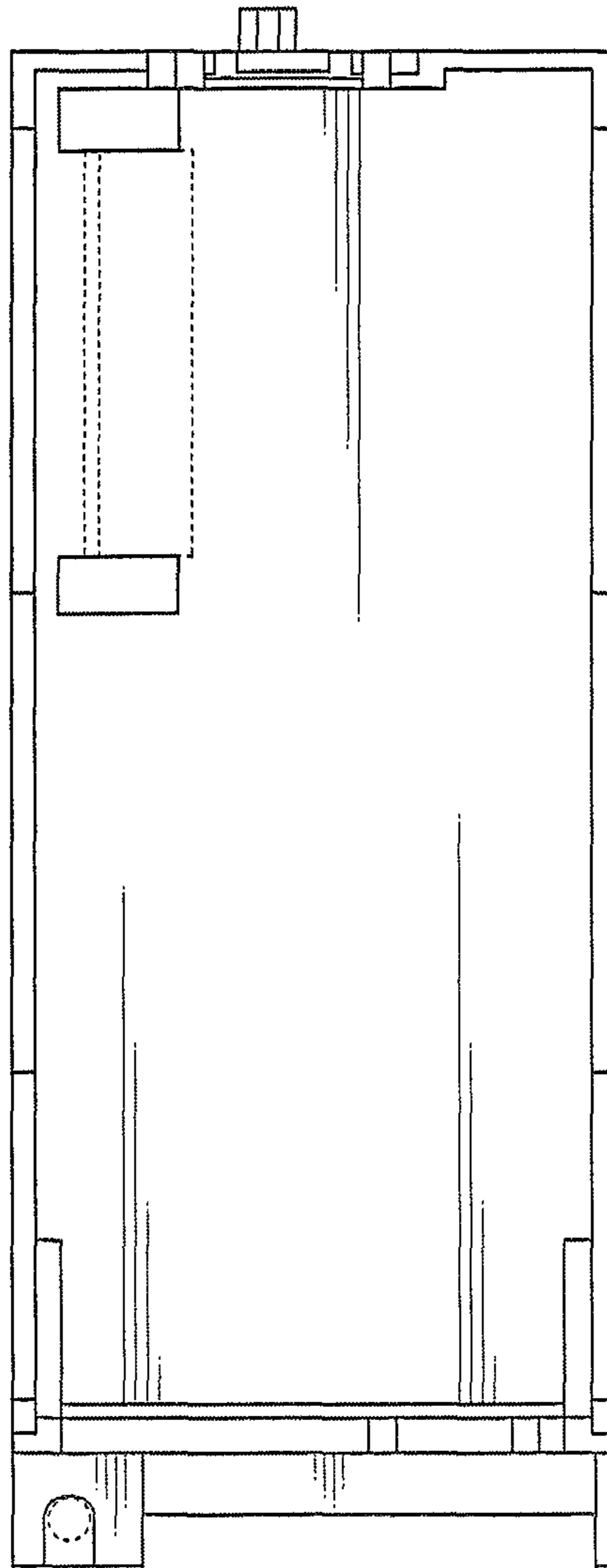


Fig. 4

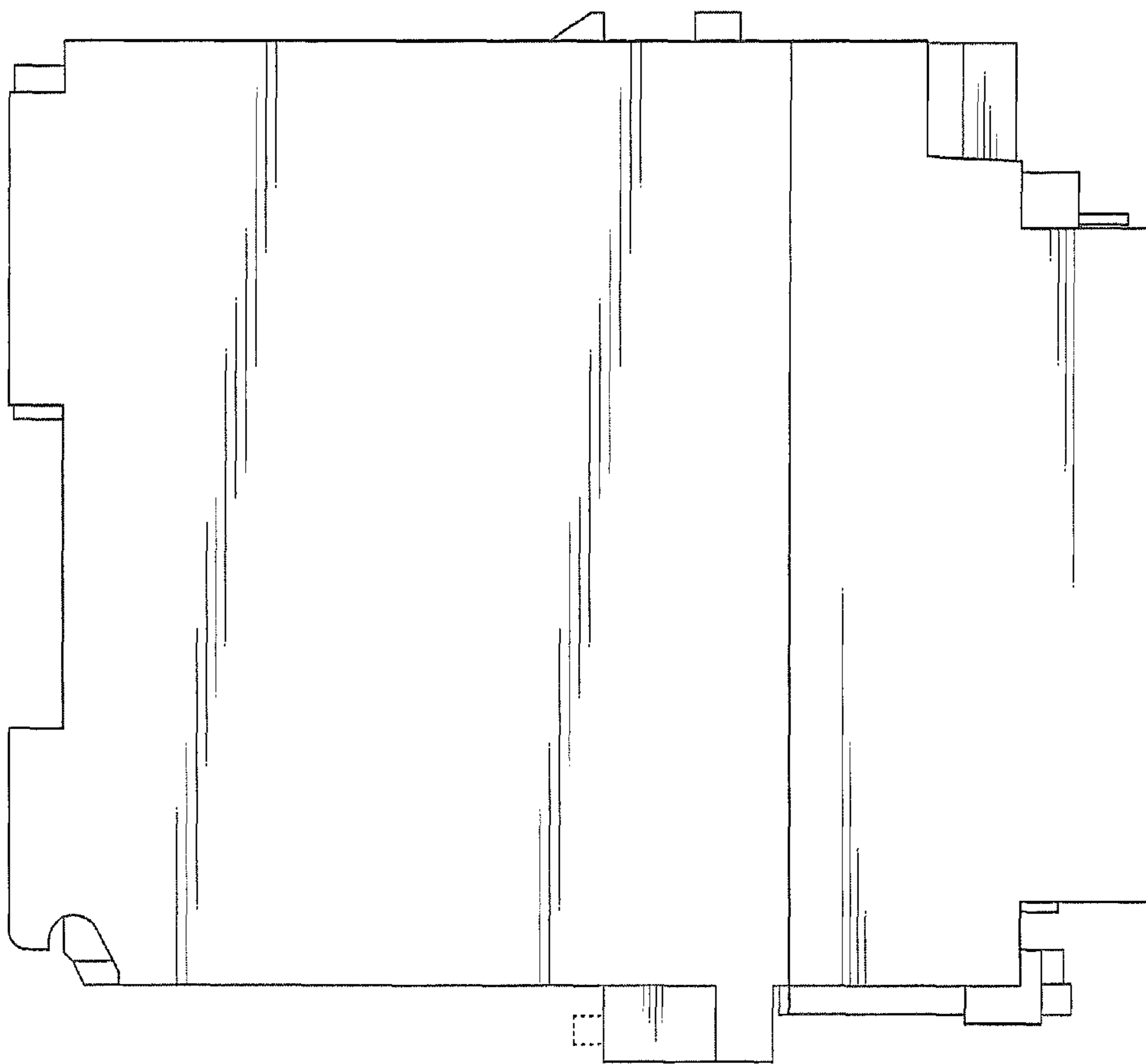


Fig. 5

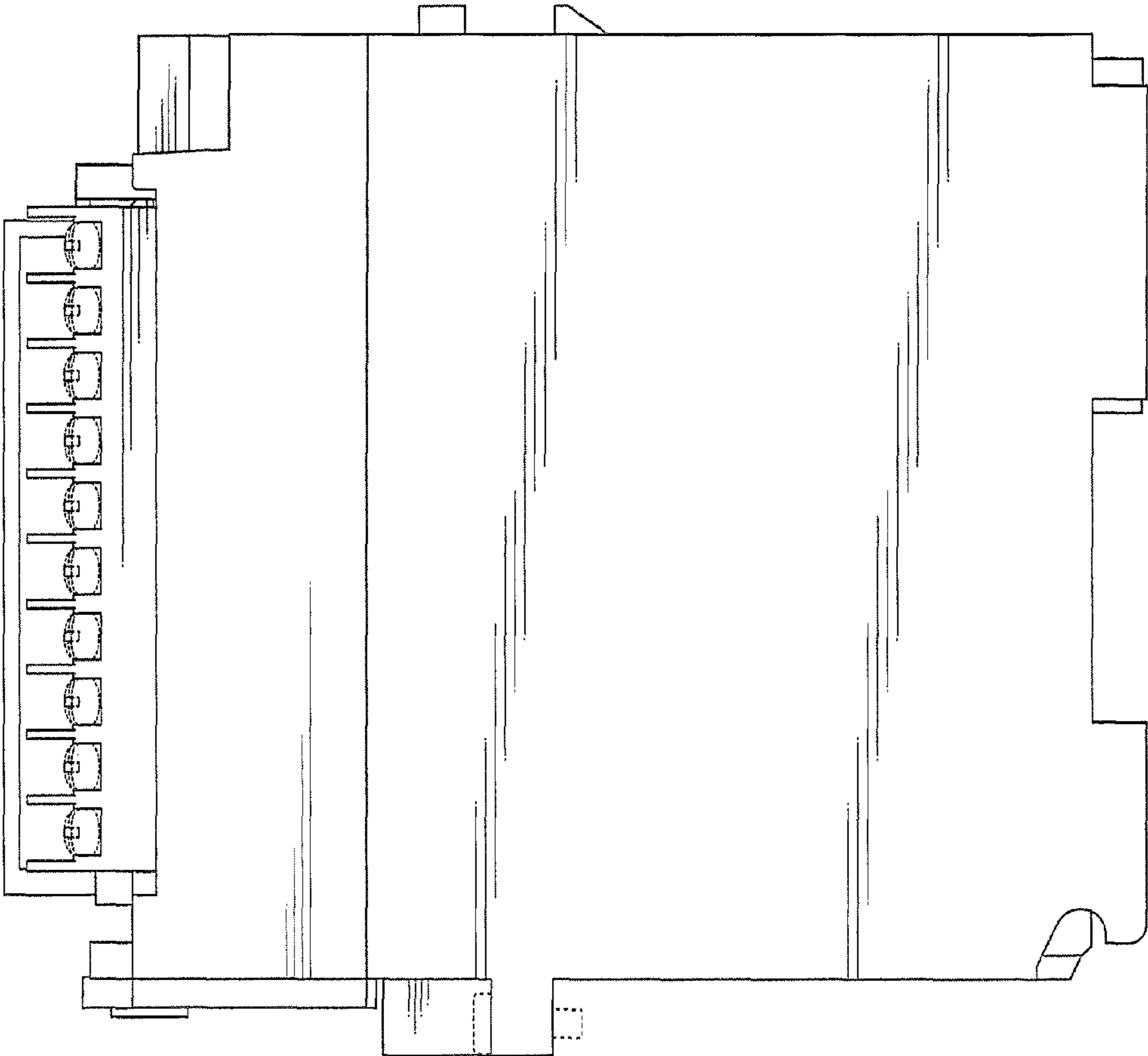


Fig. 6

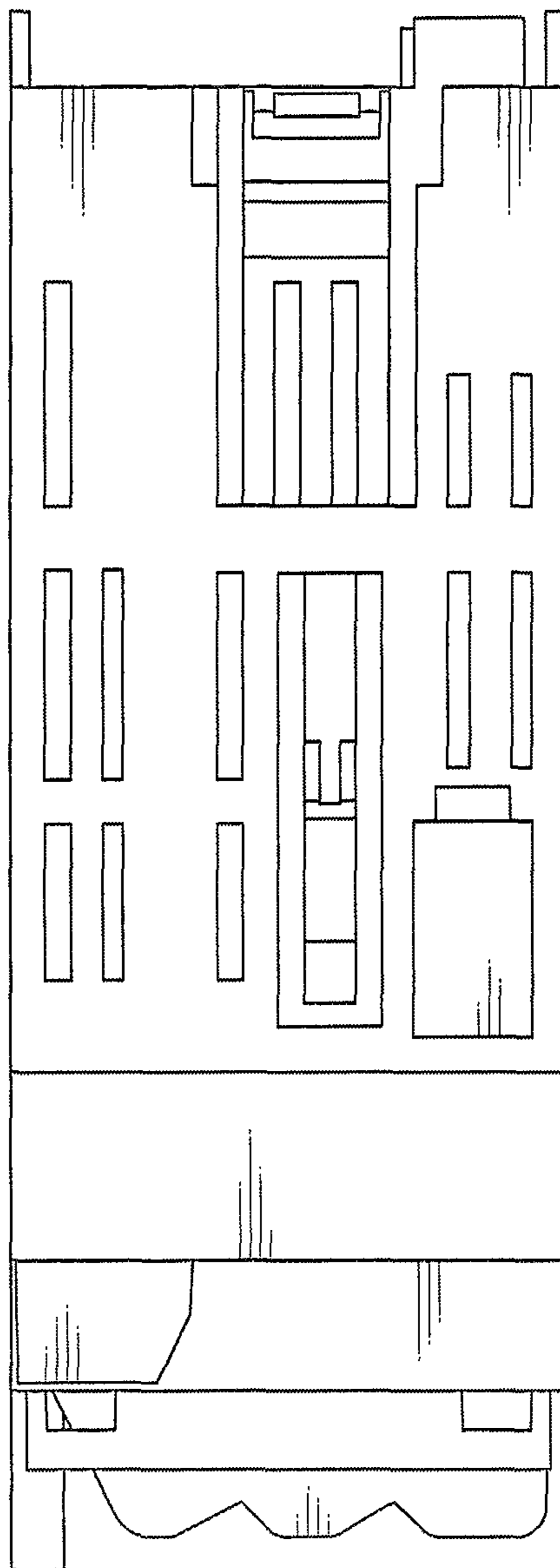


Fig. 7

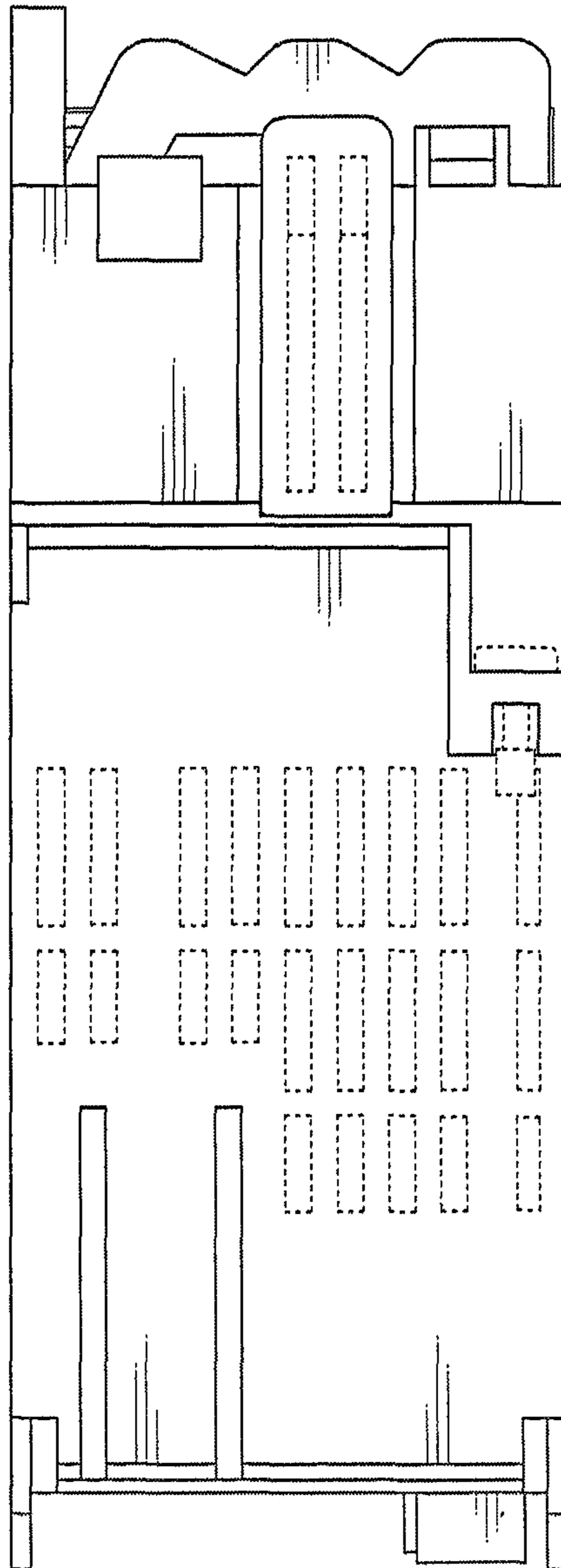


Fig. 8

