



US00D688242S

(12) **United States Design Patent**
Smith et al.

(10) **Patent No.:** **US D688,242 S**

(45) **Date of Patent:** **** *Aug. 20, 2013**

(54) **KEYBOARD**

361/679.08, 679.09, 679.11–679.19;
400/484–489, 492, 472

(75) Inventors: **Dustin Jonathan Smith**, Kitchener (CA); **Donald Somerset McKenzie**, Waterloo (CA); **Kevin Roy Sugden**, Toronto (CA); **Shannon Tyler Moore**, Waterloo (CA); **Anders Fahrendorff**, Ottawa (CA); **Jason Tyler Griffin**, Kitchener (CA); **Laura Mahan**, Kanata (CA)

See application file for complete search history.

(56) **References Cited**

U.S. PATENT DOCUMENTS

D456,025	S	*	4/2002	Komuta et al.	D14/439
D485,266	S	*	1/2004	Wilson et al.	D14/341
D601,148	S	*	9/2009	Akita	D14/391
D612,388	S	*	3/2010	Chan et al.	D14/456
D620,909	S	*	8/2010	Lee et al.	D14/138 AD
D645,860	S	*	9/2011	Andre et al.	D14/318
2009/0111508	A1	*	4/2009	Yeh et al.	455/552.1

* cited by examiner

(73) Assignee: **Research In Motion Limited**, Waterloo, Ontario (CA)

Primary Examiner — Freda S Nunn

(*) Notice: This patent is subject to a terminal disclaimer.

(**) Term: **14 Years**

(57) **CLAIM**

We claim the ornamental design for a keyboard, as shown and described.

(21) Appl. No.: **29/414,275**

DESCRIPTION

(22) Filed: **Feb. 27, 2012**

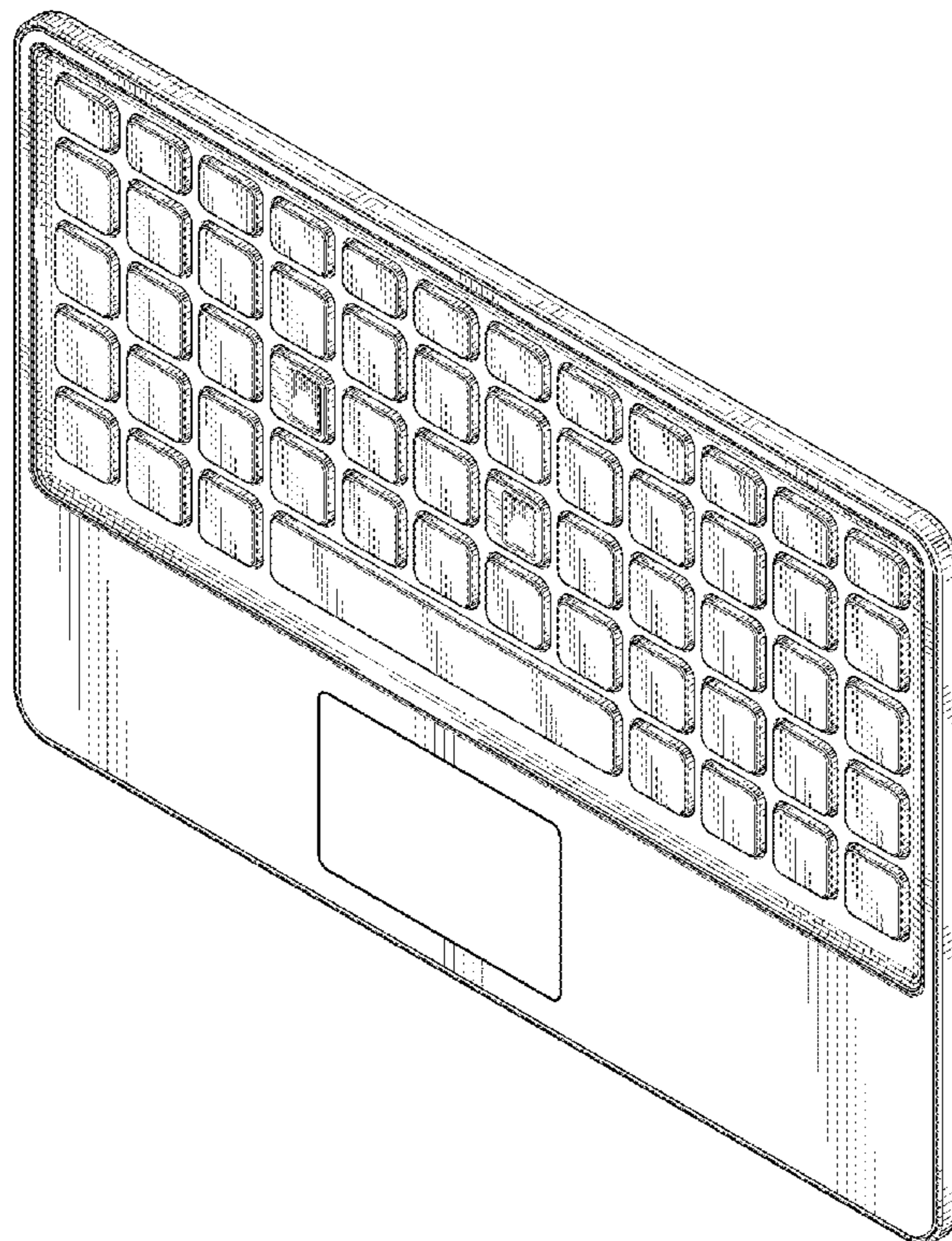
(51) **LOC (9) Cl.** **14-02**

(52) **U.S. Cl.**
USPC **D14/391**

(58) **Field of Classification Search**
USPC D14/240, 138, 318, 341, 391–399,
D14/443, 455, 456; D18/1, 2, 7, 11; 178/17 A,
178/17 C; 200/5 A, 5 R, 6 A, 6 R; 235/145 A,
235/145 R; 341/20–23; 345/156, 160, 168,
345/169, 173;

FIG. 1 is a front perspective view of a keyboard;
FIG. 2 is a back perspective view thereof;
FIG. 3 is a front elevational view thereof;
FIG. 4 is a back elevational view thereof;
FIG. 5 is a left elevational view thereof;
FIG. 6 is a right elevational view thereof;
FIG. 7 is a top plan view thereof; and,
FIG. 8 is a bottom plan view thereof.

1 Claim, 6 Drawing Sheets



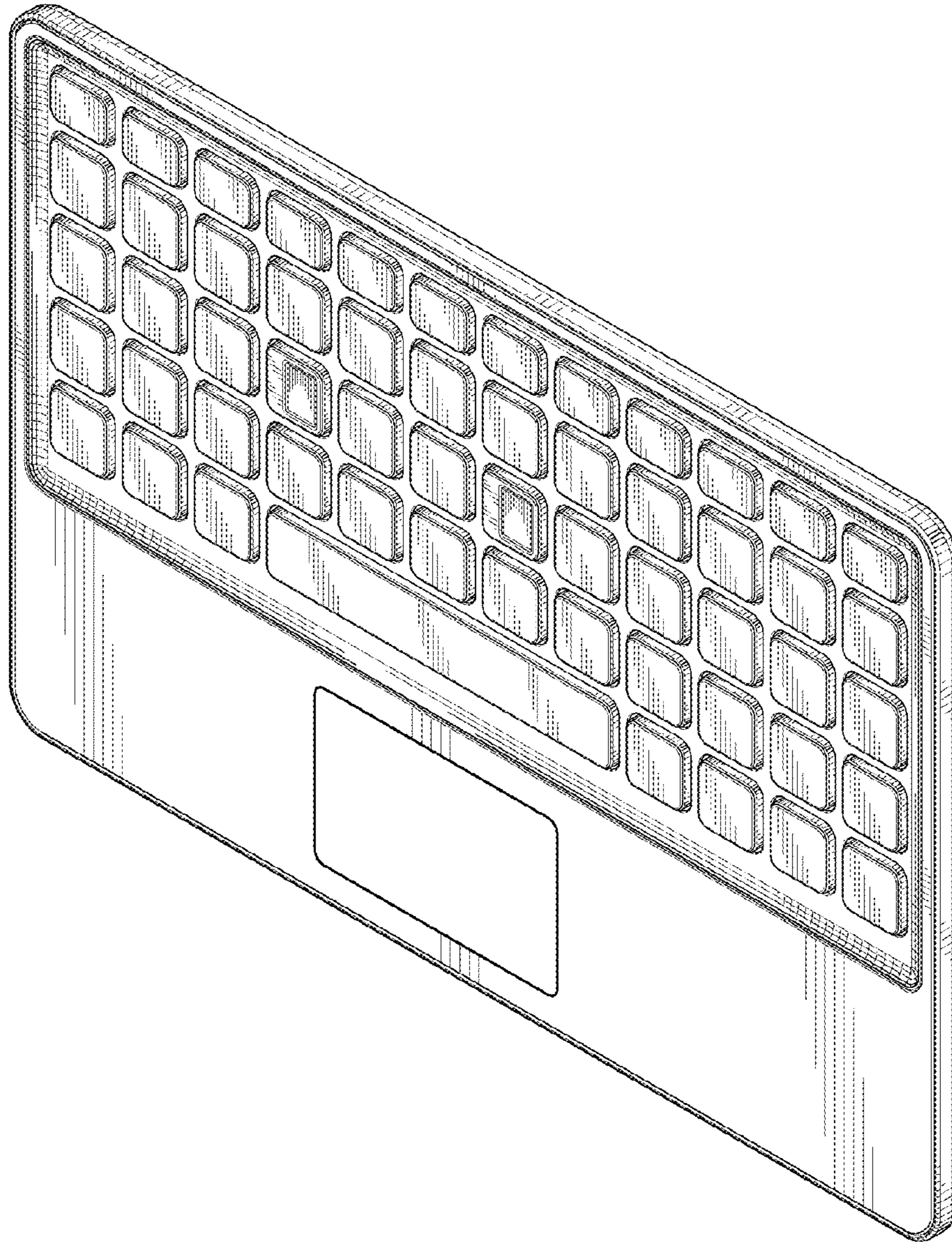


FIG.1

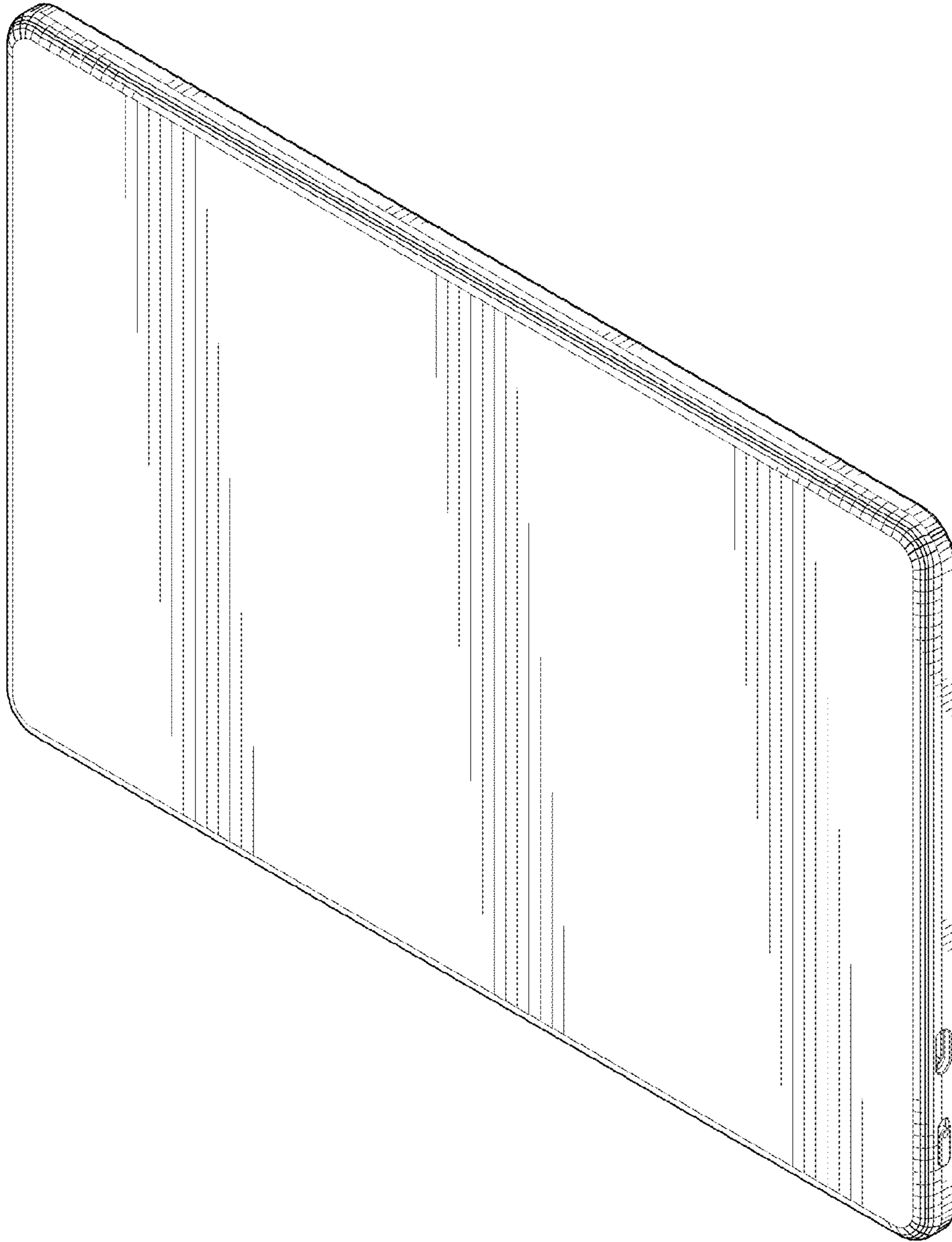


FIG.2

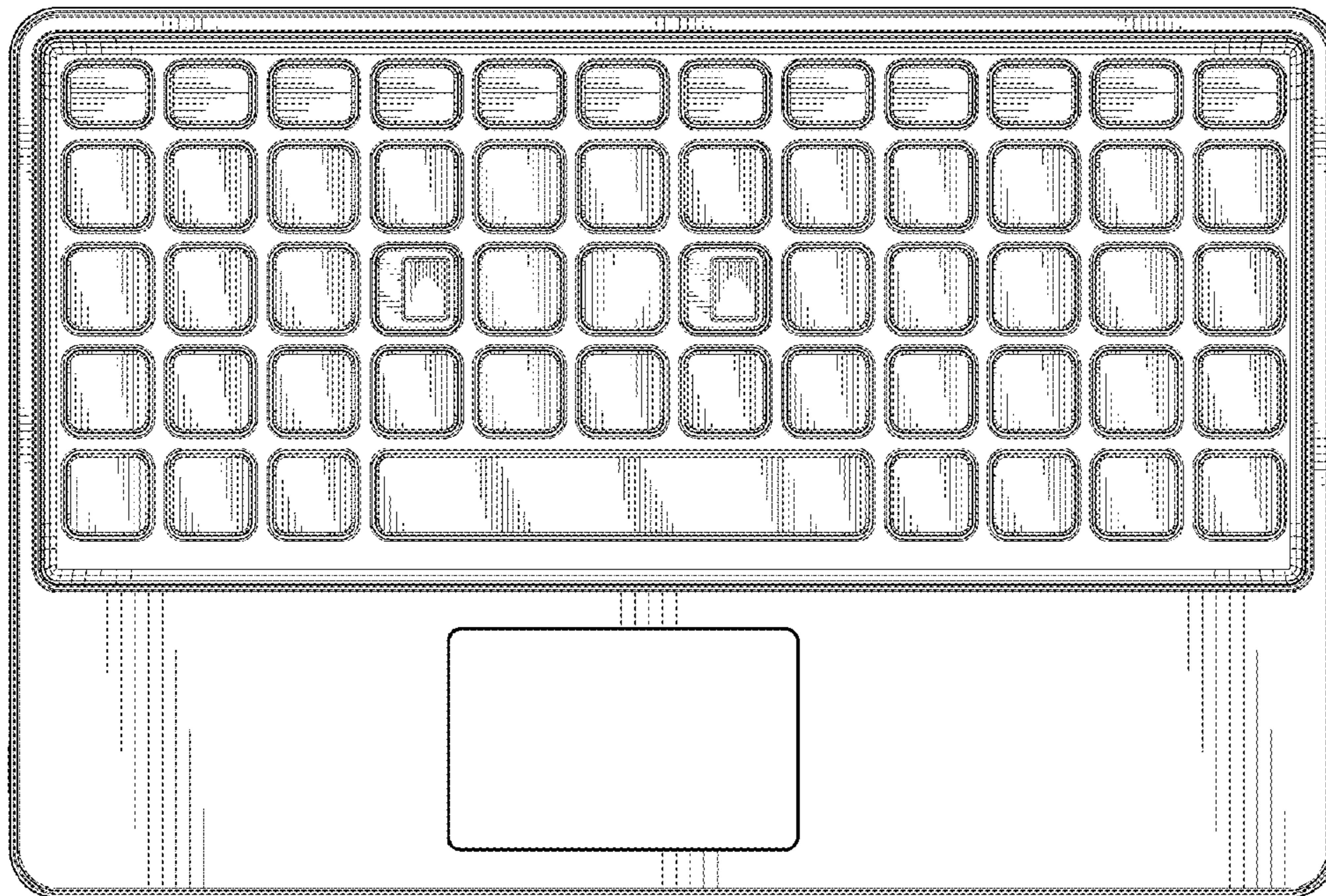


FIG.3

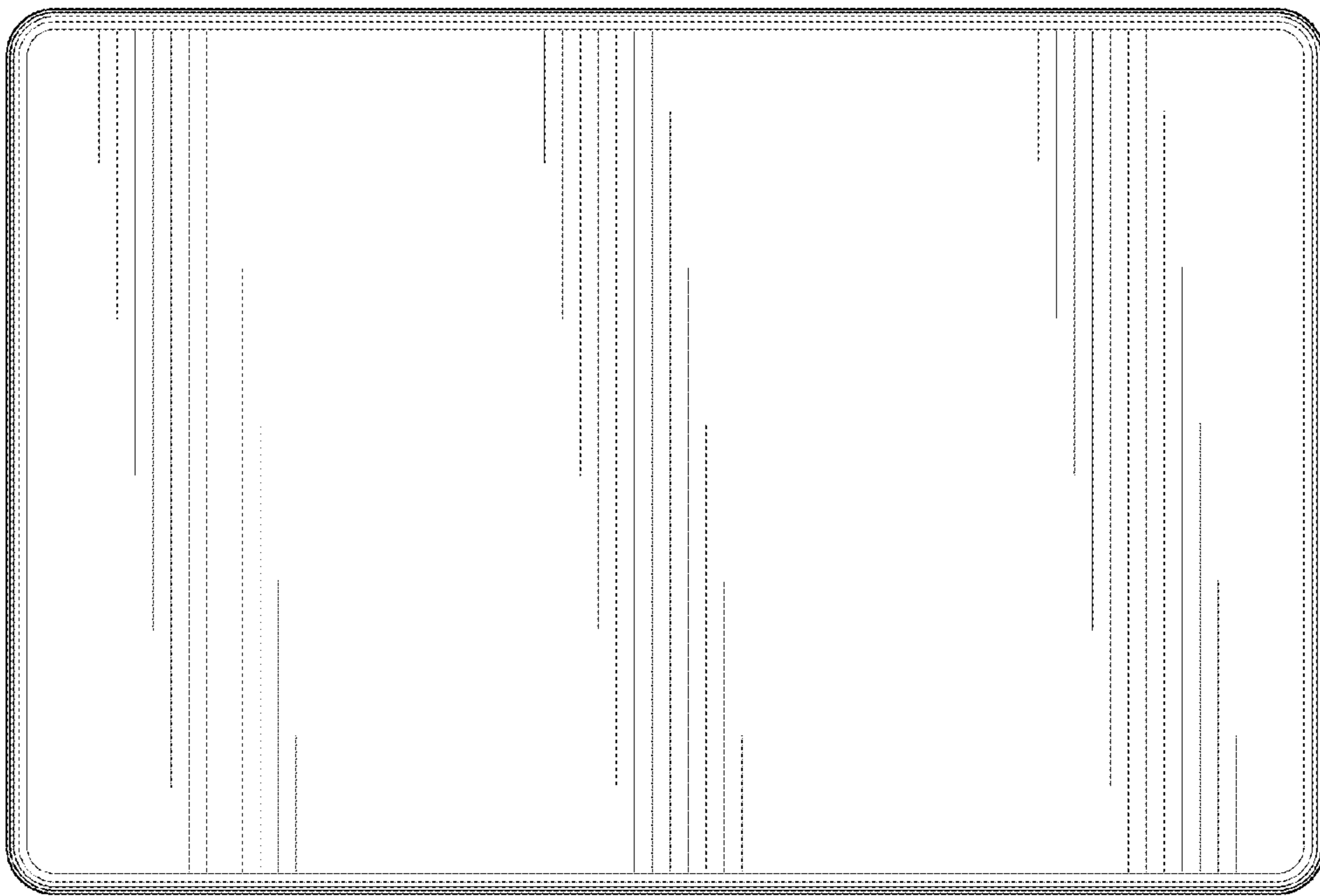


FIG.4

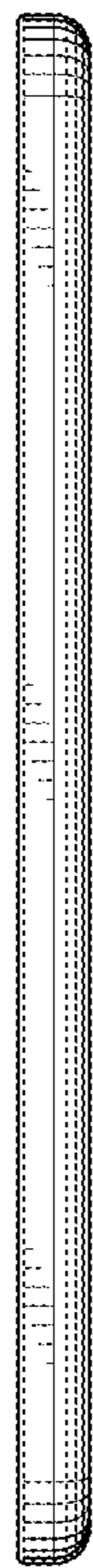


FIG. 5

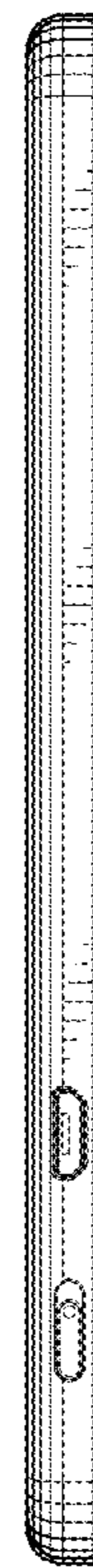


FIG. 6

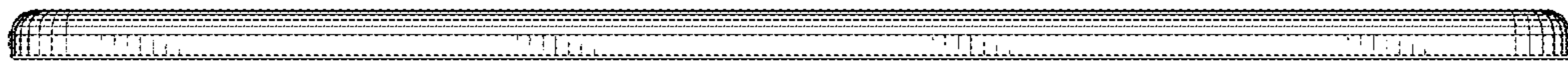


FIG. 7

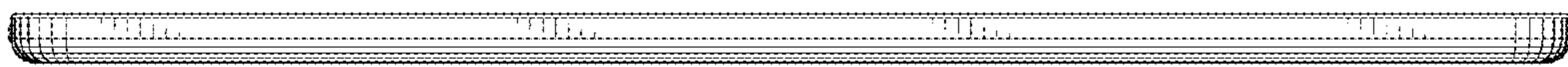


FIG. 8