



US00D688235S

(12) **United States Design Patent**  
**Song**

(10) **Patent No.:** **US D688,235 S**

(45) **Date of Patent:** **\*\* Aug. 20, 2013**

(54) **CRADLE FOR CELLULAR PHONE**

(75) Inventor: **Seunghwan Song**, Seoul (KR)

(73) Assignee: **LG Electronics Inc.**, Seoul (KR)

(\*\*) Term: **14 Years**

(21) Appl. No.: **29/422,429**

(22) Filed: **May 21, 2012**

(30) **Foreign Application Priority Data**

Dec. 28, 2011 (KR) ..... 30-2011-0055884

(51) **LOC (9) Cl.** ..... **14-03**

(52) **U.S. Cl.**  
USPC ..... **D14/253**

(58) **Field of Classification Search**  
USPC ..... D14/140, 140.8, 142, 243–256, 434,  
D14/447; D3/215, 218; D2/861; D6/300,  
D6/310, 467, 553–574; 292/342, 343; D19/90  
See application file for complete search history.

(56) **References Cited**

**U.S. PATENT DOCUMENTS**

D557,698 S *	12/2007	Lye	.....	D14/447
D577,361 S *	9/2008	Beilstein et al.	.....	D14/447
D590,404 S *	4/2009	Kim et al.	.....	D14/447
D656,500 S *	3/2012	Maruyama et al.	.....	D14/447
D664,528 S *	7/2012	Chen et al.	.....	D14/253
D666,174 S *	8/2012	Du et al.	.....	D14/217
D666,614 S *	9/2012	Ding	.....	D14/253
D667,004 S *	9/2012	Goodrich	.....	D14/253

D667,831 S *	9/2012	Stravitz	.....	D14/447
D668,662 S *	10/2012	Suiter	.....	D14/447
D669,064 S *	10/2012	Huang	.....	D14/251
D670,296 S *	11/2012	Seehoff	.....	D14/447
D671,934 S *	12/2012	Alman et al.	.....	D14/253
D672,783 S *	12/2012	Robinson	.....	D14/447
D673,961 S *	1/2013	Matsui et al.	.....	D14/447
8,387,938 B2 *	3/2013	Lin	.....	248/456
2012/0074286 A1 *	3/2012	Chou	.....	248/346.03

\* cited by examiner

*Primary Examiner* — George D Kirschbaum

*Assistant Examiner* — Janice Hallmark

(74) *Attorney, Agent, or Firm* — Morgan, Lewis & Bockius LLP

(57) **CLAIM**

The ornamental design for a cradle for cellular phone, as shown and described.

**DESCRIPTION**

FIG. 1 is a front, right side, perspective view of a cradle for cellular phone showing my new design;  
FIG. 2 is a front view thereof;  
FIG. 3 is a rear view thereof;  
FIG. 4 is a left side view thereof;  
FIG. 5 is a right side view thereof;  
FIG. 6 is a top view thereof; and,  
FIG. 7 is a bottom view thereof.

The broken line showing of structure is included for the purpose of illustrating portions of the “article” and forms no part of the claimed design.

**1 Claim, 7 Drawing Sheets**

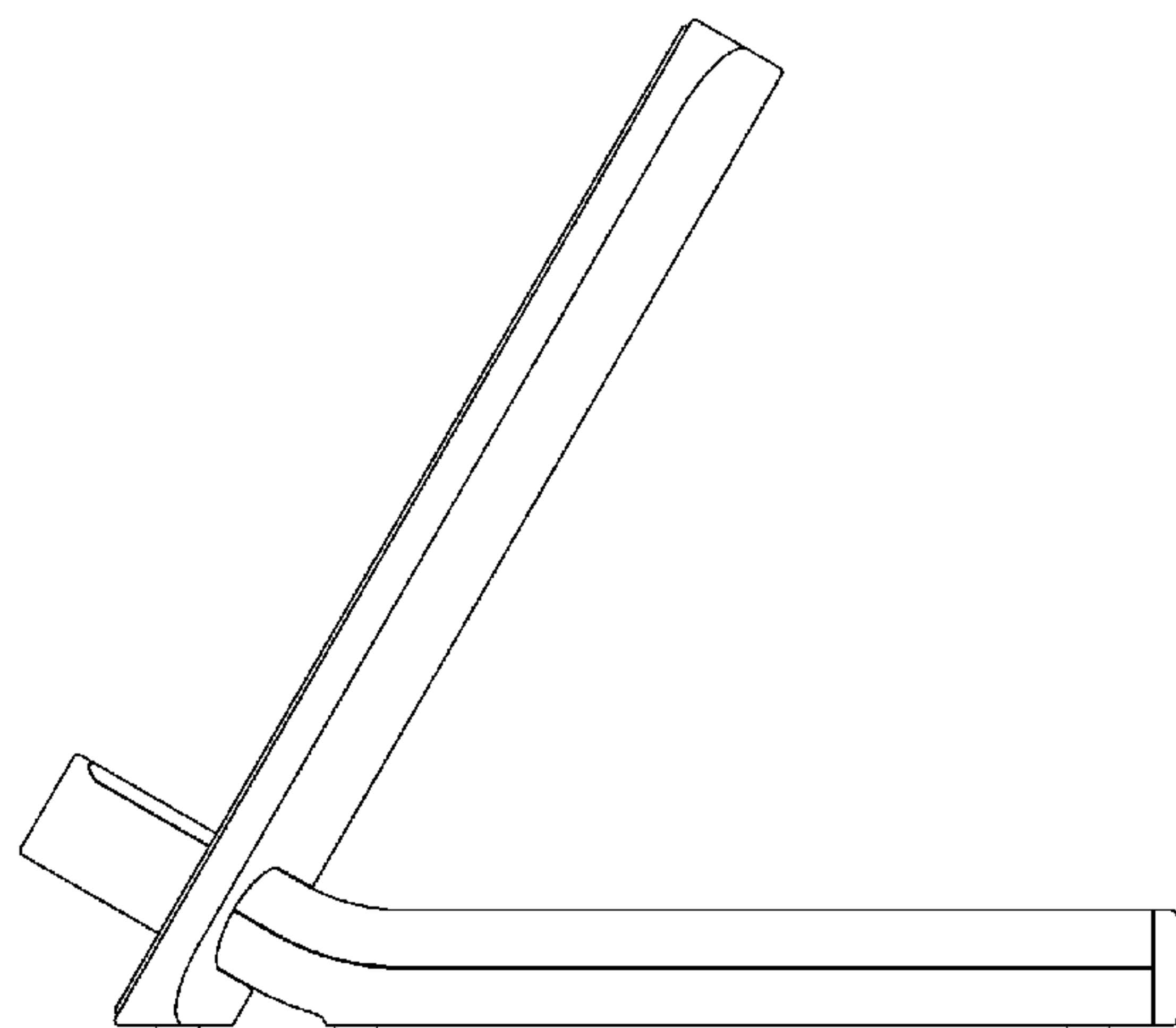
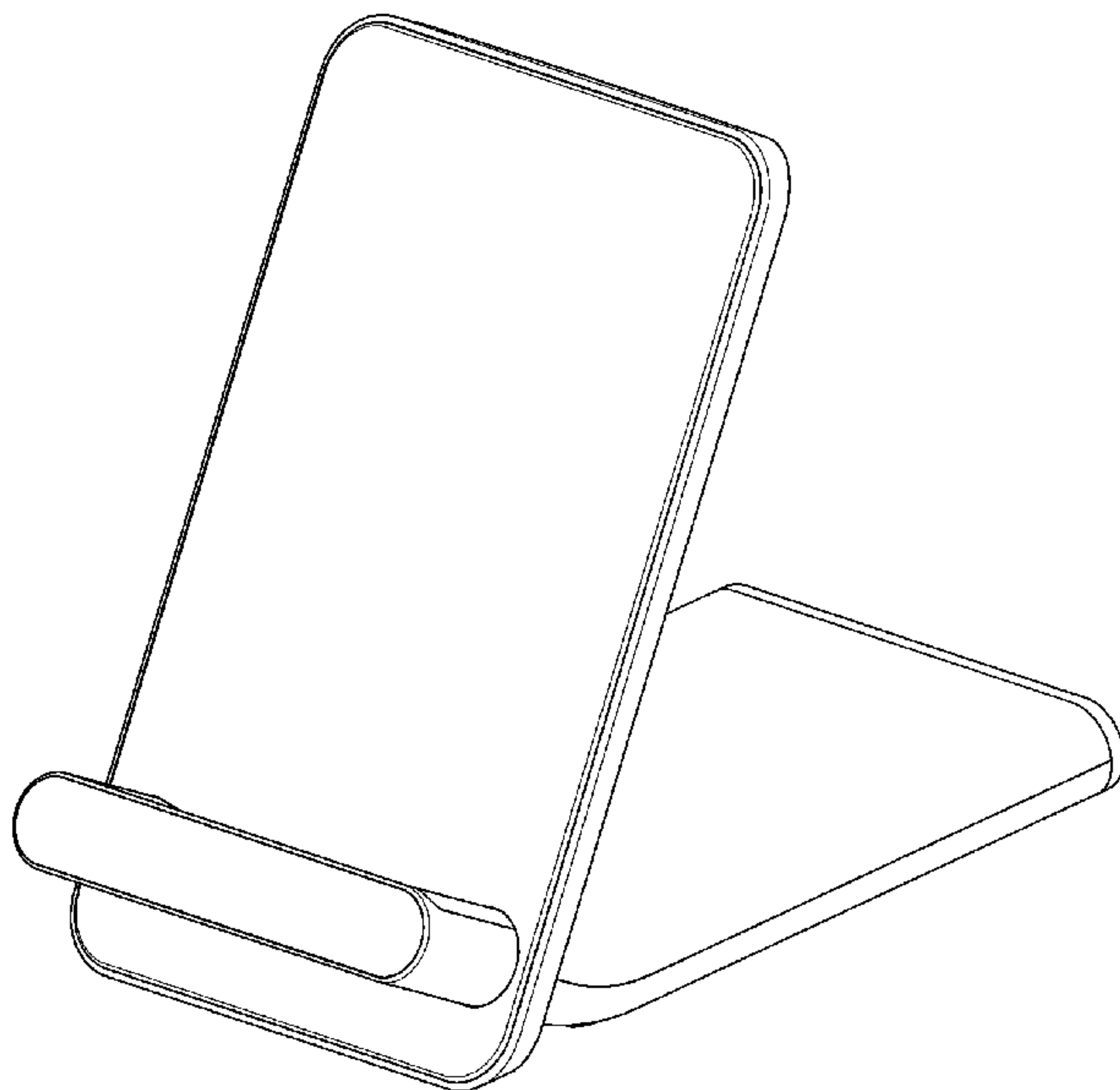


FIG. 1

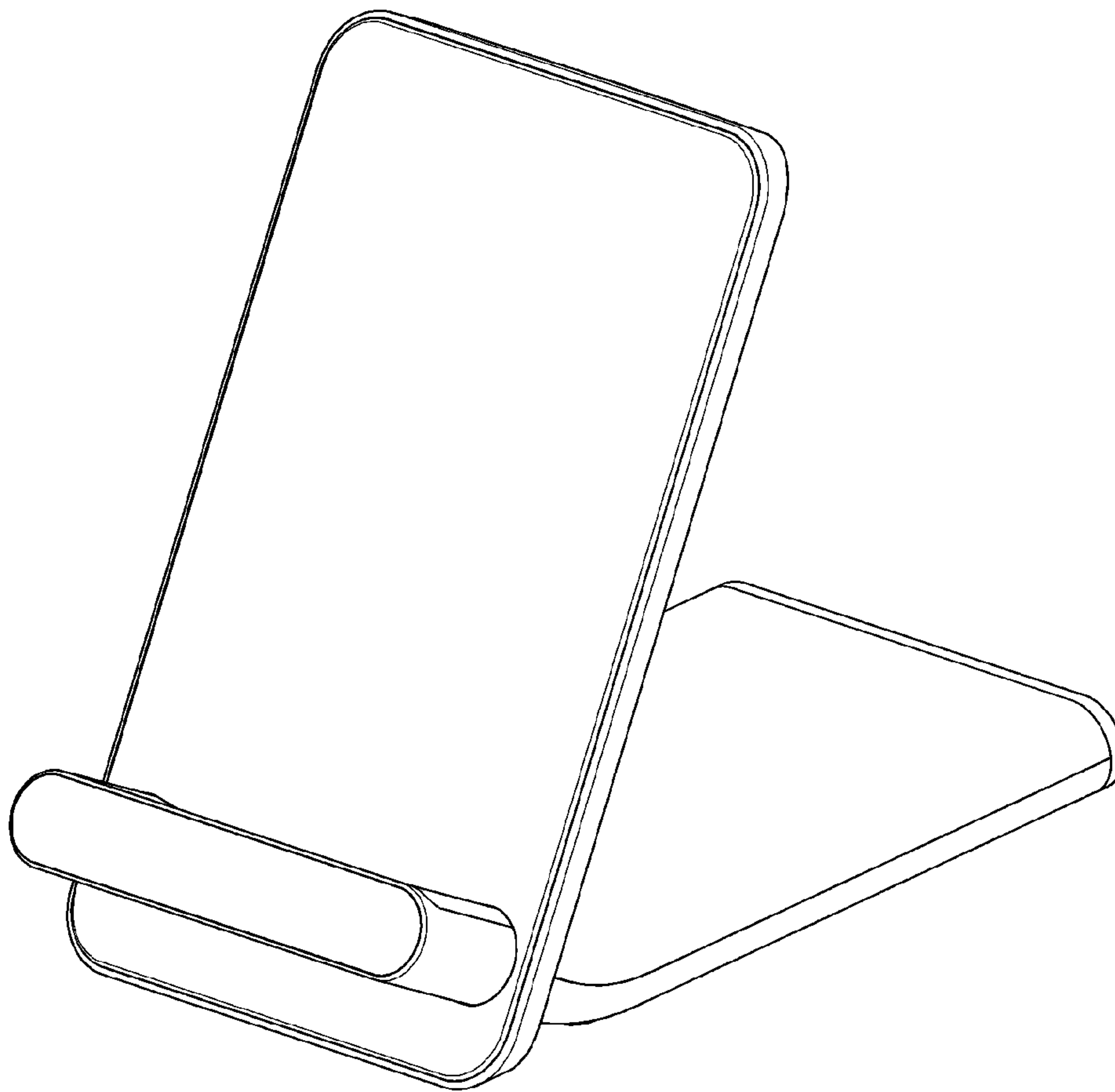


FIG. 2

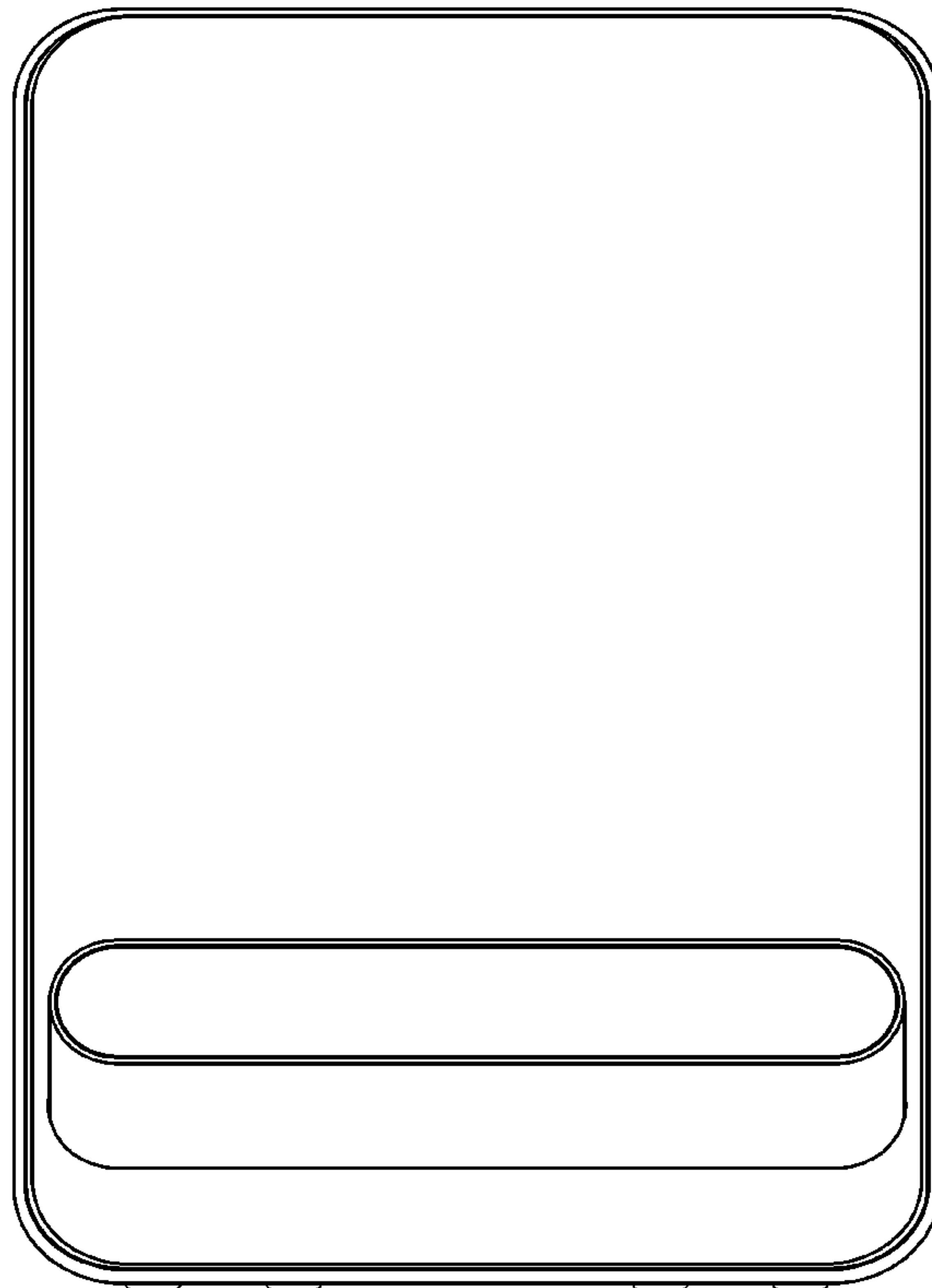


FIG. 3

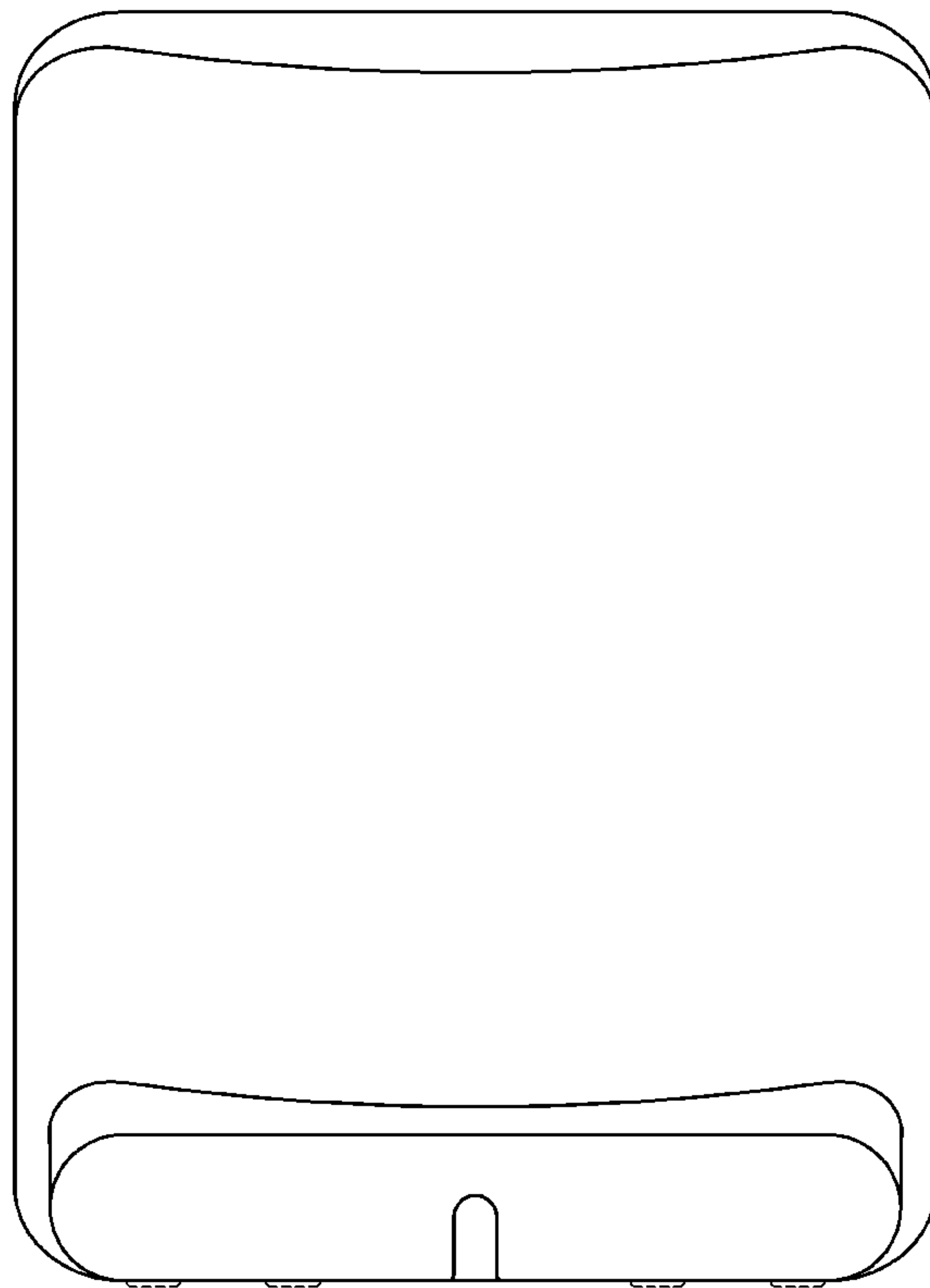


FIG. 4

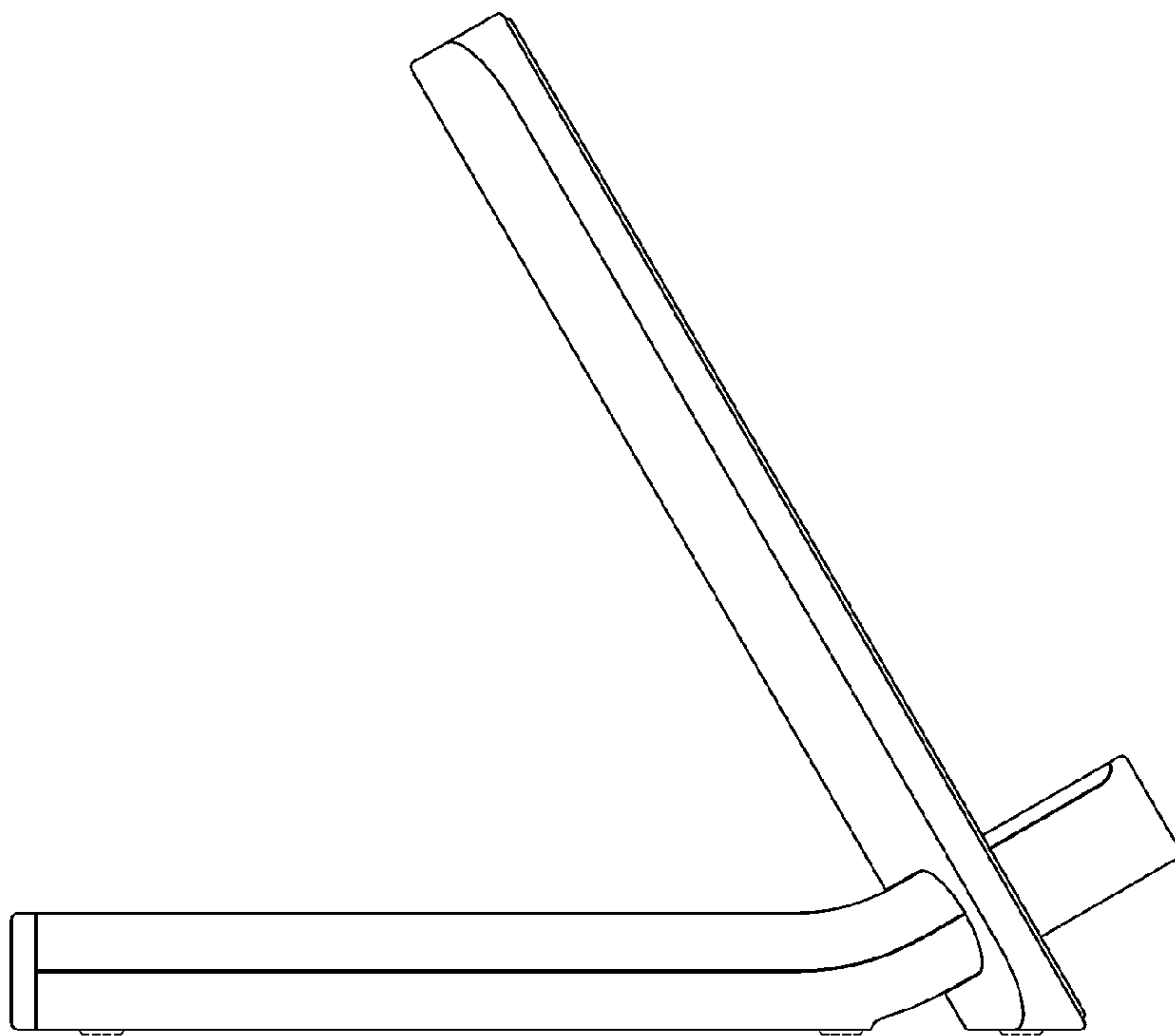


FIG. 5

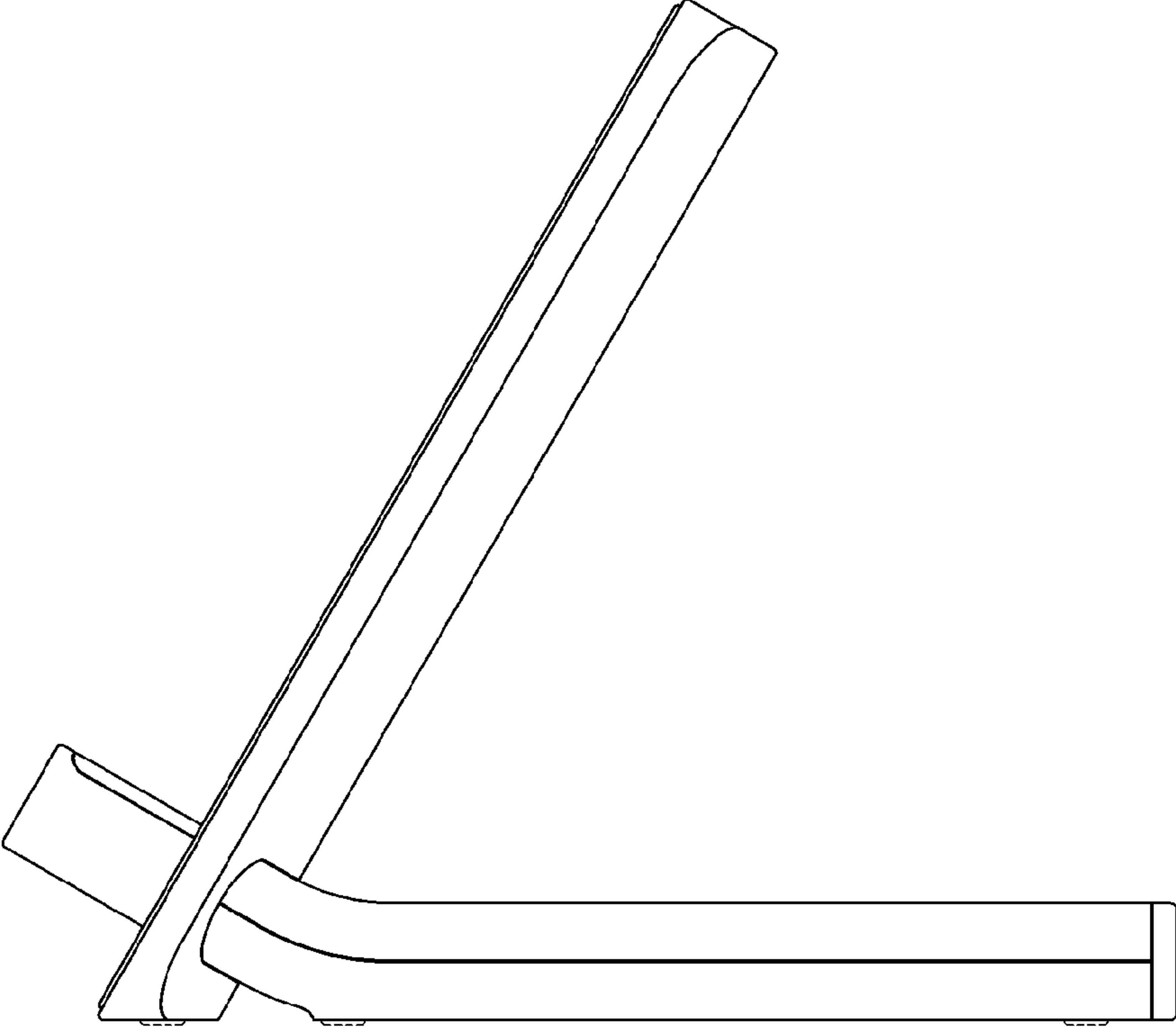


FIG. 6

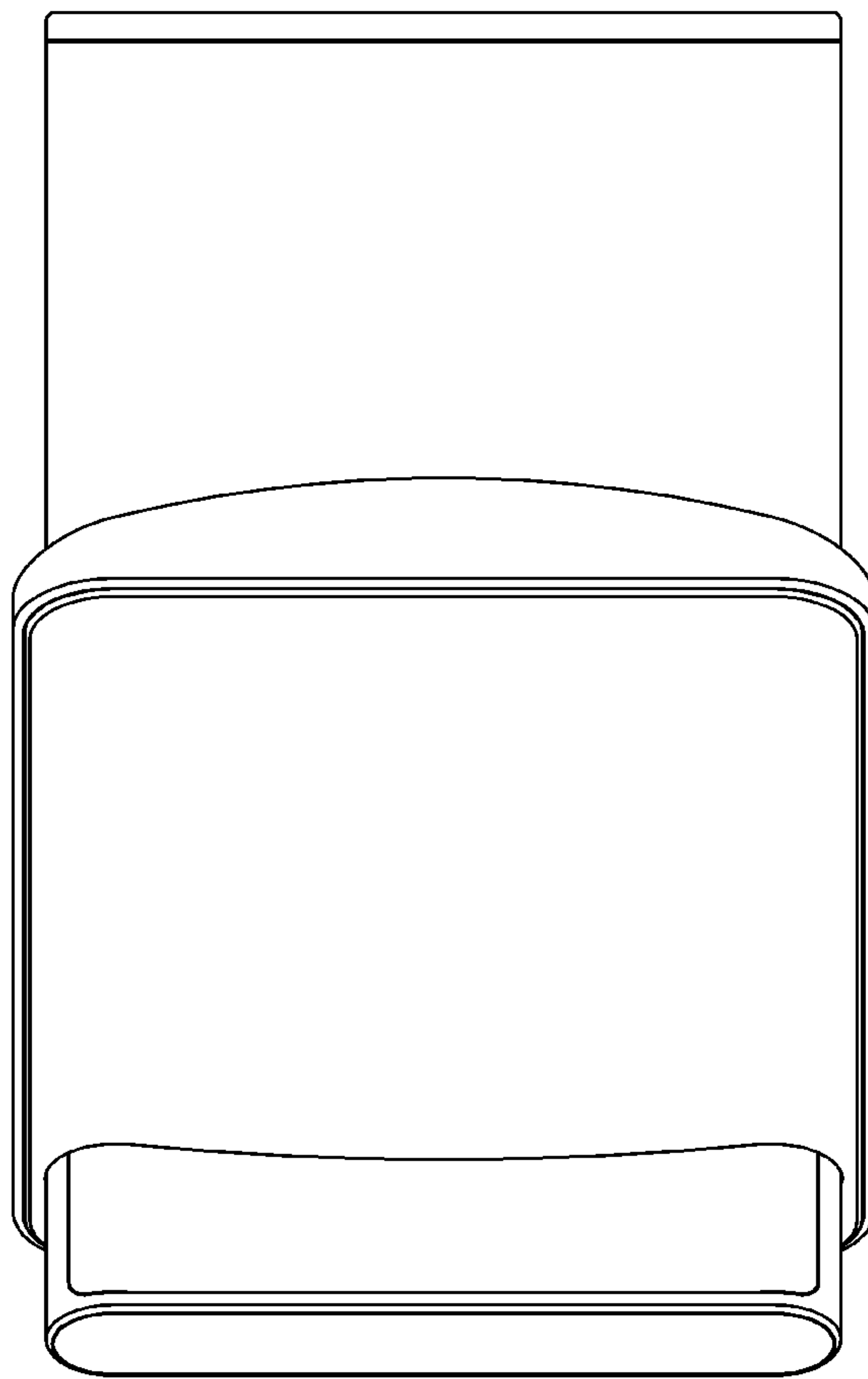


FIG. 7

