



US00D688232S

(12) **United States Design Patent**  
**Zhang**

(10) **Patent No.:** **US D688,232 S**

(45) **Date of Patent:** **\*\* Aug. 20, 2013**

(54) **LASER PRESENTER**

(75) Inventor: **Yinhu Zhang**, Guangdong (CN)

(73) Assignee: **Vson Technology Co., Ltd** (CN)

(\*\*) Term: **14 Years**

(21) Appl. No.: **29/393,759**

(22) Filed: **Jun. 9, 2011**

(51) **LOC (9) Cl.** ..... **14-03**

(52) **U.S. Cl.**  
USPC ..... **D14/218**

(58) **Field of Classification Search**  
USPC ..... D14/218, 455; D13/168; D21/566;  
D10/104, 106; 345/169; 348/14.05, 114,  
348/211.99, 734; 340/825.24; 341/22; 455/92,  
455/95, 128, 151.1–151.4, 352, 355, FOR. 121;  
700/65

See application file for complete search history.

(56) **References Cited**

**U.S. PATENT DOCUMENTS**

D366,876 S *	2/1996	Labohm	.....	D14/218
D415,441 S *	10/1999	Pinchuk	.....	D10/104.1
D459,340 S *	6/2002	Leyde et al.	.....	D14/198
D467,911 S *	12/2002	Lee	.....	D14/243
D470,627 S *	2/2003	Kuo	.....	D28/77
D487,733 S *	3/2004	Lucaci et al.	.....	D14/138 AC
D493,150 S *	7/2004	Murtaugh et al.	.....	D13/168
D506,476 S *	6/2005	Andre et al.	.....	D14/203.7
D506,982 S *	7/2005	Murtaugh et al.	.....	D13/168
D513,233 S *	12/2005	Stauffer	.....	D13/168
D527,712 S *	9/2006	Indio da Costa	.....	D13/168
D539,814 S *	4/2007	Andre et al.	.....	D14/203.3
D550,654 S *	9/2007	Miyawaki	.....	D14/218

D571,305 S *	6/2008	Thursfield	.....	D13/168
D580,413 S *	11/2008	Tsao	.....	D14/218
D584,291 S *	1/2009	Tsao	.....	D14/218
D595,669 S *	7/2009	Endo et al.	.....	D13/168
D602,473 S *	10/2009	Moller et al.	.....	D14/218
D605,635 S *	12/2009	Edahiro et al.	.....	D14/218
D609,670 S *	2/2010	Finney et al.	.....	D14/138 AC
D612,839 S *	3/2010	Kato	.....	D14/218
D626,530 S *	11/2010	Andre et al.	.....	D14/203.3
D645,848 S *	9/2011	Arnholt et al.	.....	D14/218
D657,778 S *	4/2012	Chiu	.....	D14/218
D668,243 S *	10/2012	Aquillano	.....	D14/218
D669,055 S *	10/2012	Chiu	.....	D14/218
D669,452 S *	10/2012	Akana et al.	.....	D14/218
2004/0203523 A1 *	10/2004	Harmon	.....	455/90.3
2005/0024321 A1 *	2/2005	Tsai	.....	345/156
2005/0137000 A1 *	6/2005	Toh et al.	.....	455/575.4

\* cited by examiner

*Primary Examiner* — John Windmuller

(74) *Attorney, Agent, or Firm* — Garcia-Zamor IP Law; Ruy M. Garcia-Zamor

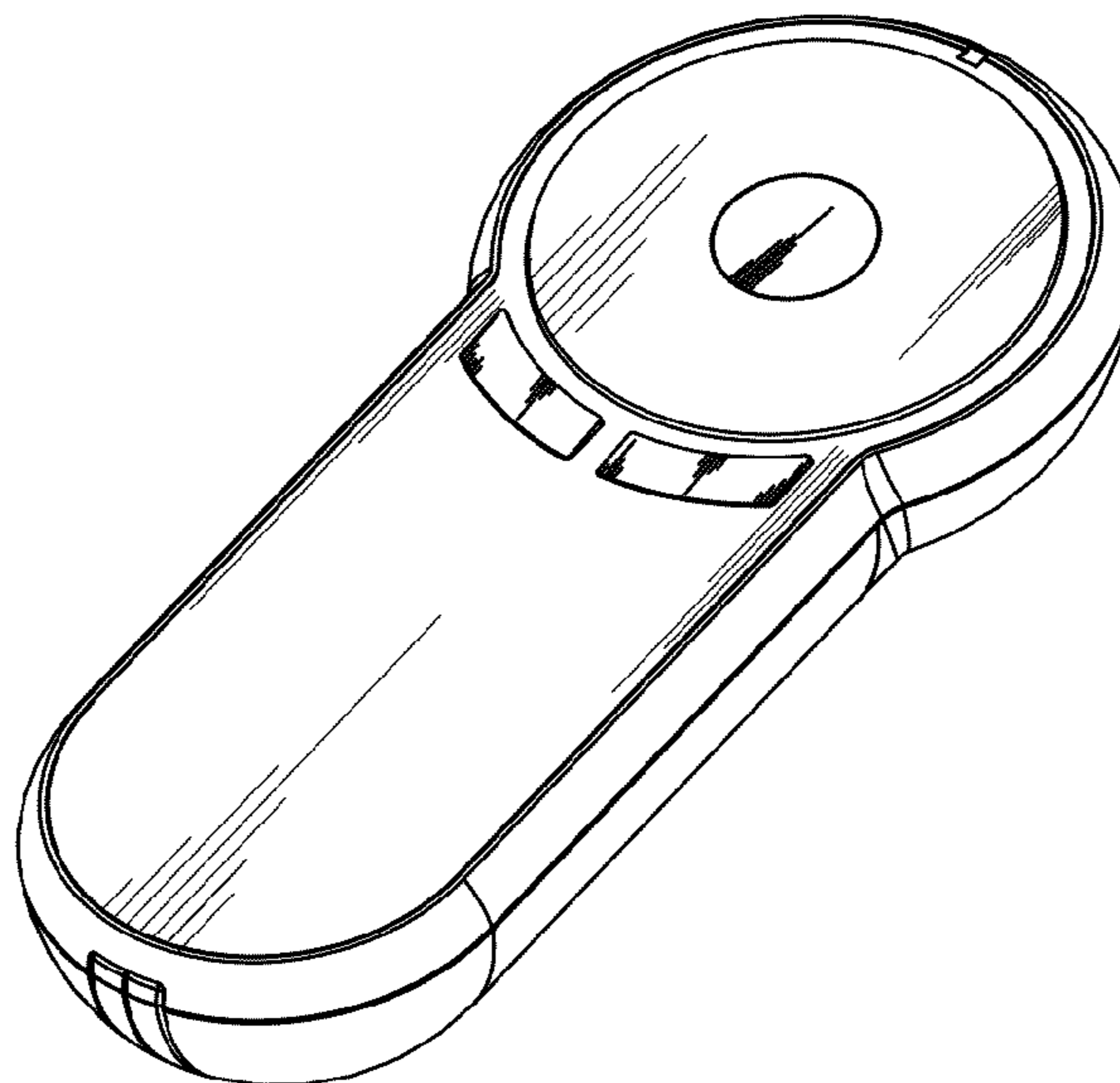
(57) **CLAIM**

The ornamental design for a laser presenter, as shown and described.

**DESCRIPTION**

FIG. 1 is a perspective view of the laser presenter;  
FIG. 2 is a front view of FIG. 1;  
FIG. 3 is a rear view of FIG. 1;  
FIG. 4 is a left view of FIG. 1;  
FIG. 5 is a rear view of FIG. 1;  
FIG. 6 is a top plan view of FIG. 1; and,  
FIG. 7 is a bottom plan view of FIG. 1.

**1 Claim, 3 Drawing Sheets**



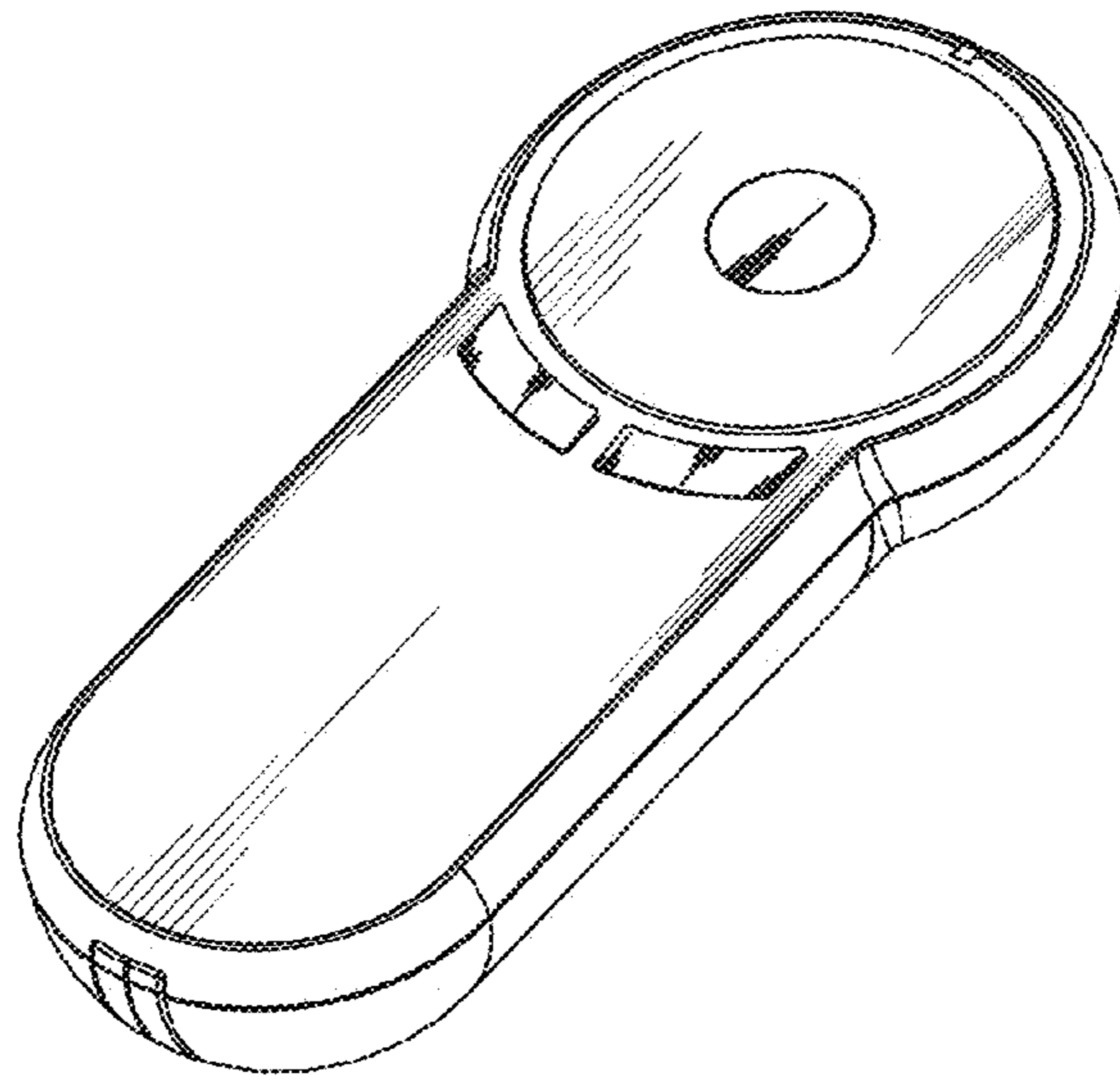


FIG. 1

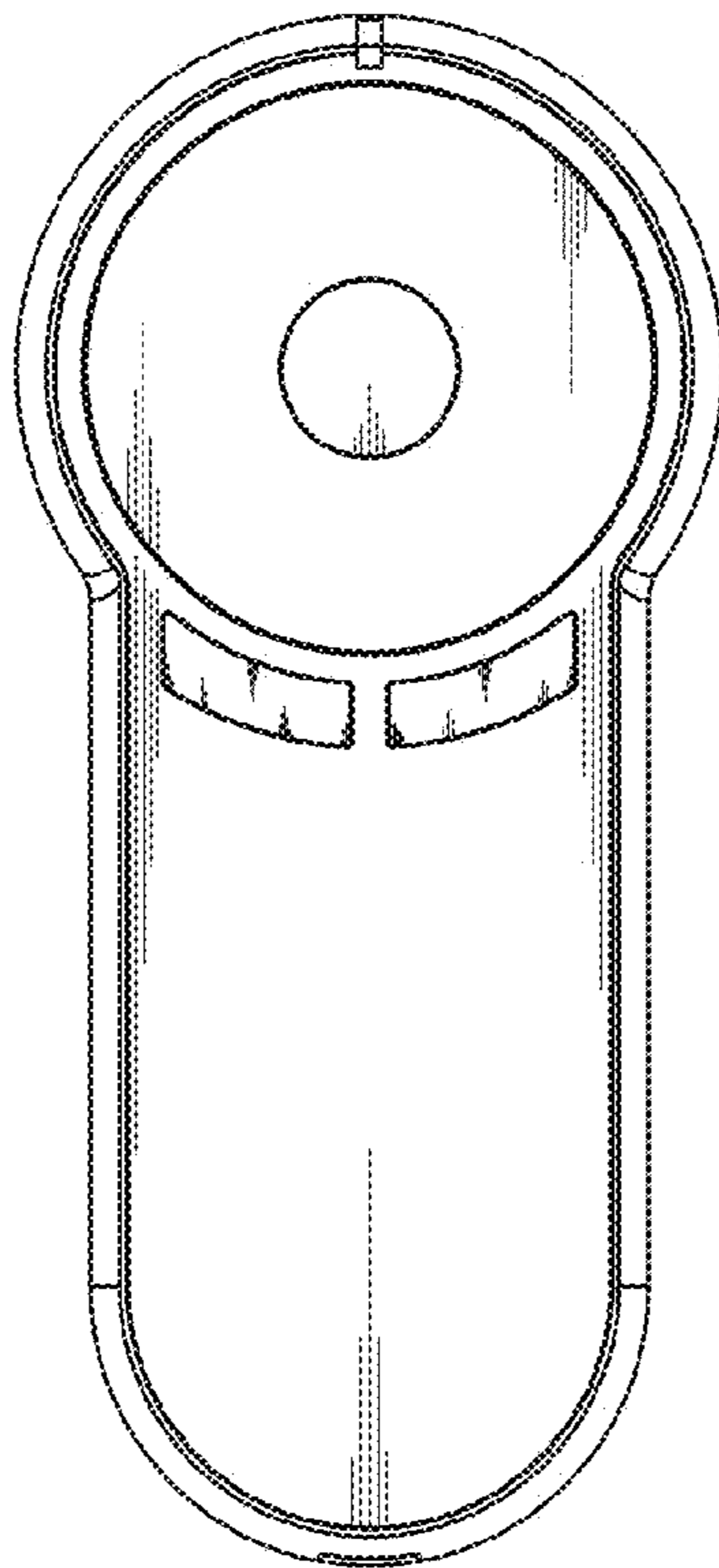


FIG. 2

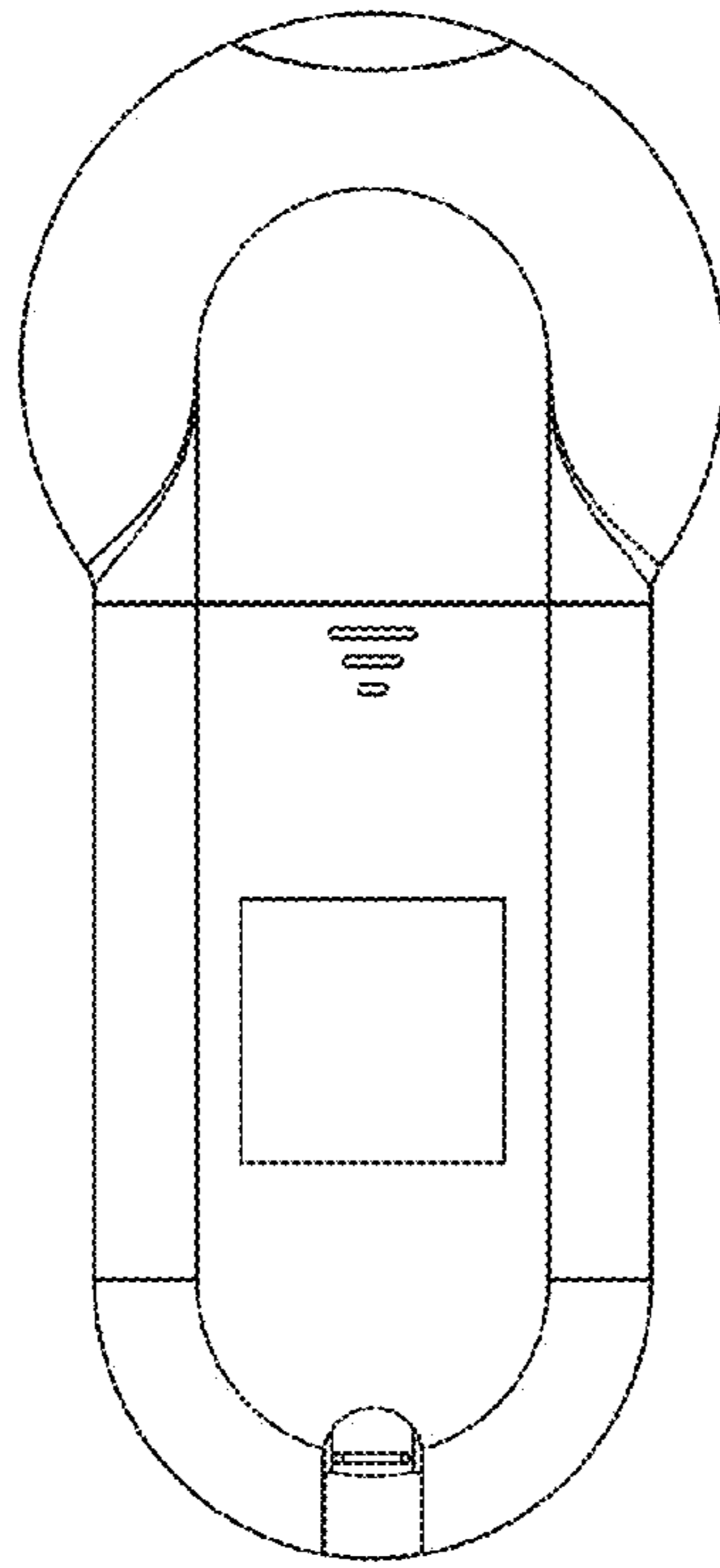


FIG. 3

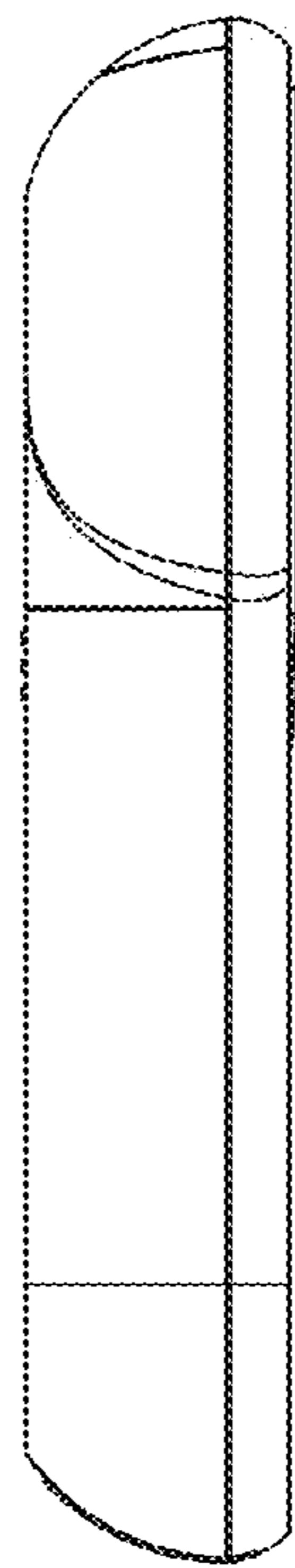


FIG. 4

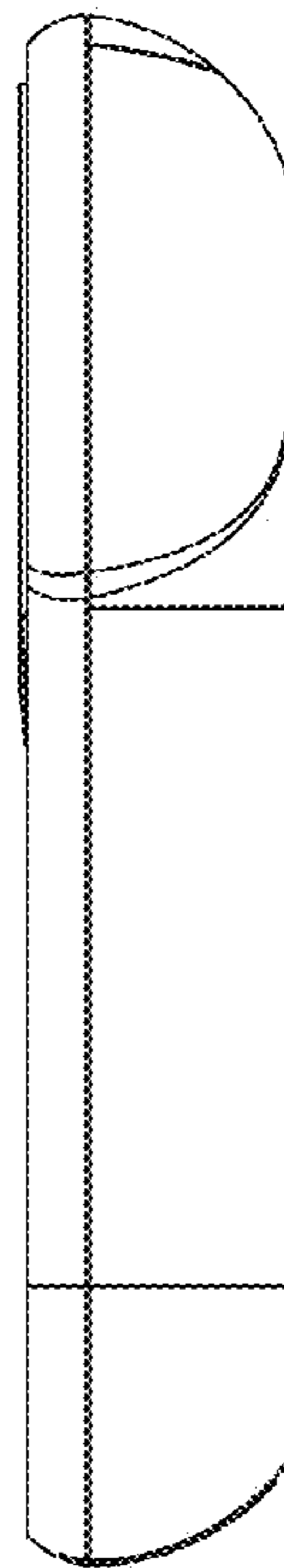


FIG. 5

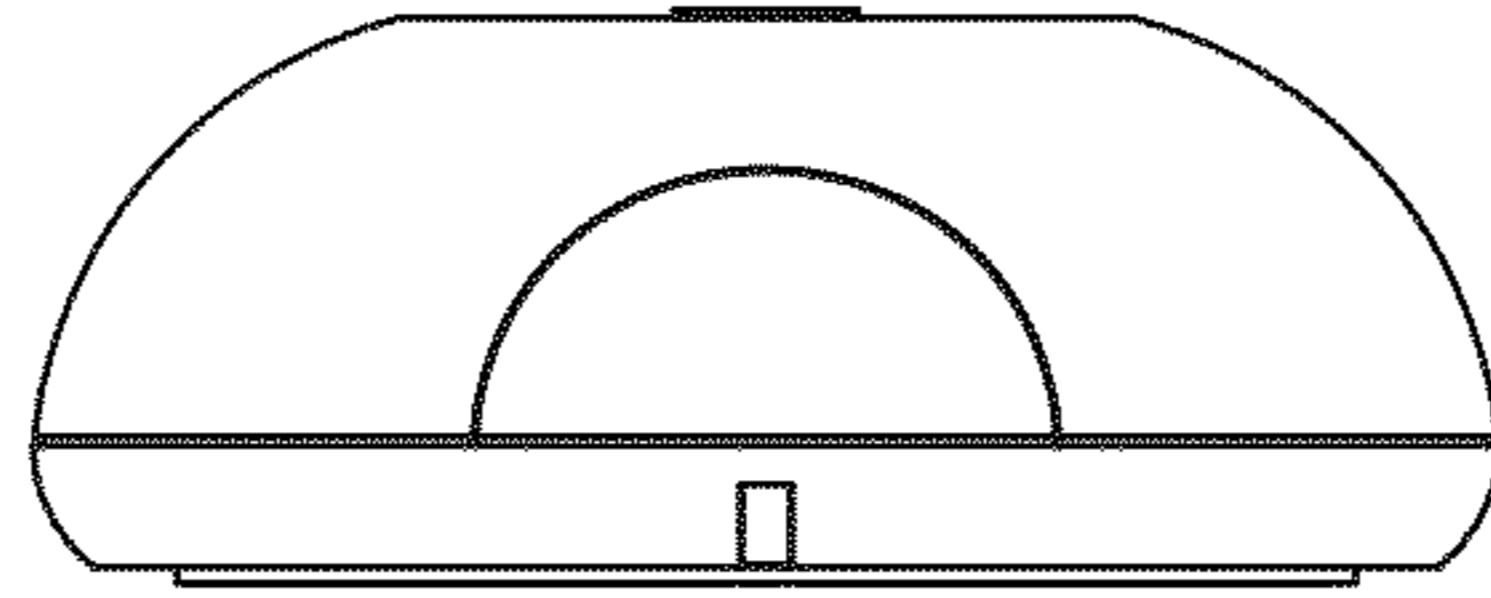


FIG. 6

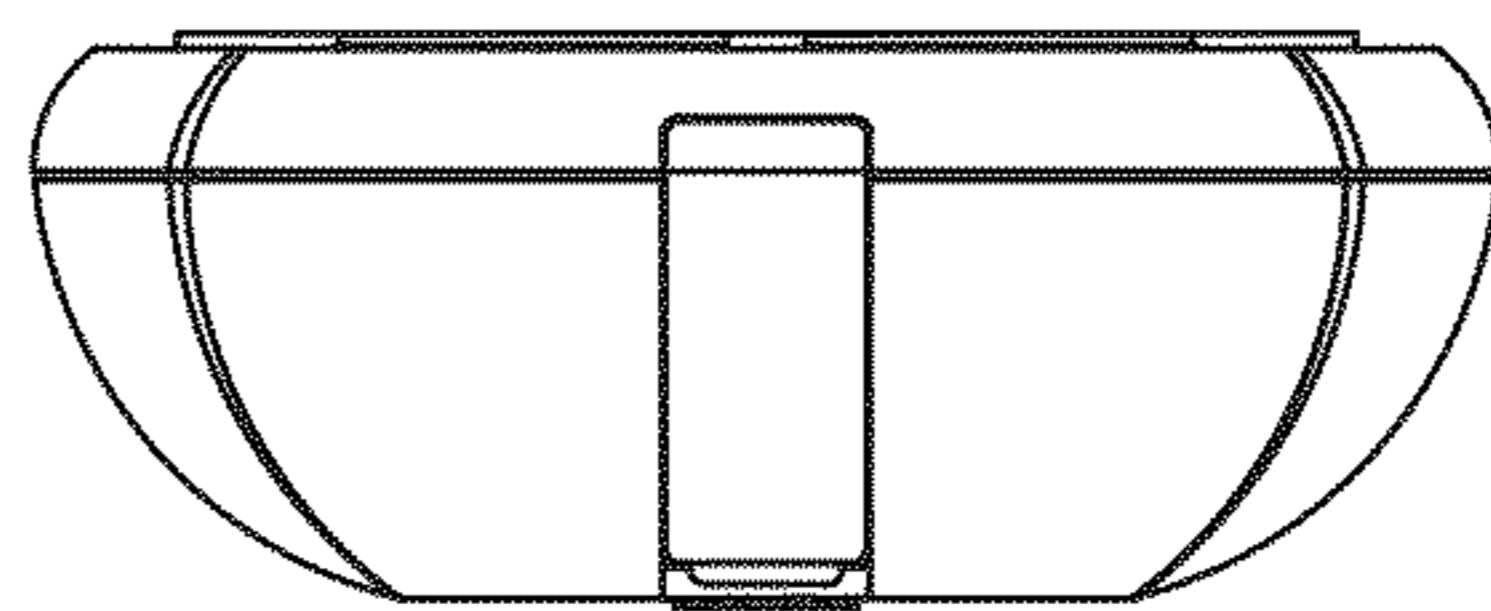


FIG. 7