



US00D688231S

(12) **United States Design Patent**
Nishii

(10) **Patent No.:** **US D688,231 S**

(45) **Date of Patent:** **** Aug. 20, 2013**

(54) **SPEAKER BOX**

(71) Applicant: **Panasonic Corporation**, Osaka (JP)

(72) Inventor: **Hiroki Nishii**, Osaka (JP)

(73) Assignee: **Panasonic Corporation**, Osaka (JP)

(**) Term: **14 Years**

(21) Appl. No.: **29/440,740**

(22) Filed: **Dec. 27, 2012**

(51) **LOC (9) Cl.** **14-03**

(52) **U.S. Cl.**
USPC **D14/214**

(58) **Field of Classification Search**
USPC D14/167, 172, 194–196, 204, 207,
D14/209.1, 210–216, 221, 222; 181/143,
181/144, 147, 148, 150, 153, 157, 198, 199;
381/300–303, 306, 332, 333, 336, 345, 361–364,
381/386–388

See application file for complete search history.

(56) **References Cited**

U.S. PATENT DOCUMENTS

D470,126 S * 2/2003 Ljungberg et al. D14/214
D522,493 S * 6/2006 Tanaka et al. D14/214

D538,260 S * 3/2007 Wada D14/188
D558,736 S * 1/2008 Kita D14/214
D660,284 S 5/2012 Carbone
D669,883 S * 10/2012 Cheng D14/214
D681,009 S * 4/2013 Meng et al. D14/214

* cited by examiner

Primary Examiner — Keli L Hill

(74) *Attorney, Agent, or Firm* — Panasonic Patent Center

(57) **CLAIM**

I claim the ornamental design for a speaker box, as shown and described.

DESCRIPTION

FIG. 1 is a front perspective view of a speaker box of the present invention;
FIG. 2 is a front view thereof;
FIG. 3 is a rear view thereof;
FIG. 4 is a first side view thereof;
FIG. 5 is a second side view thereof;
FIG. 6 is a top view thereof; and,
FIG. 7 is a bottom view thereof.

The broken line showing of speaker box is included for the purpose of illustrating environment and forms no part of the claimed design.

1 Claim, 7 Drawing Sheets

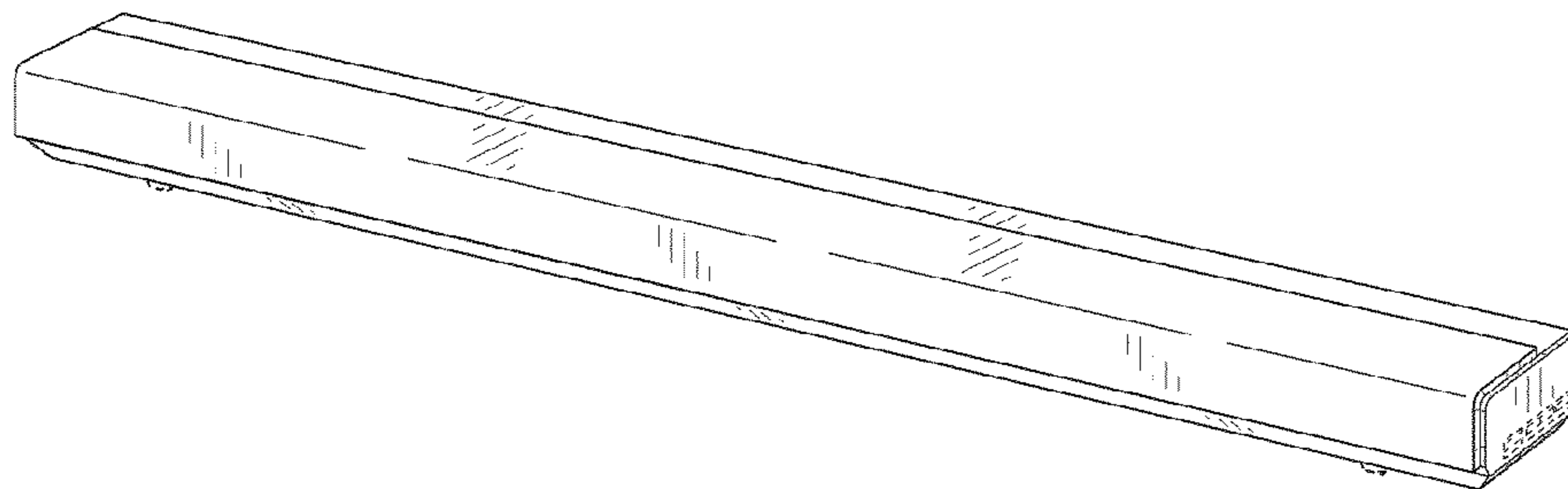


FIG. 1

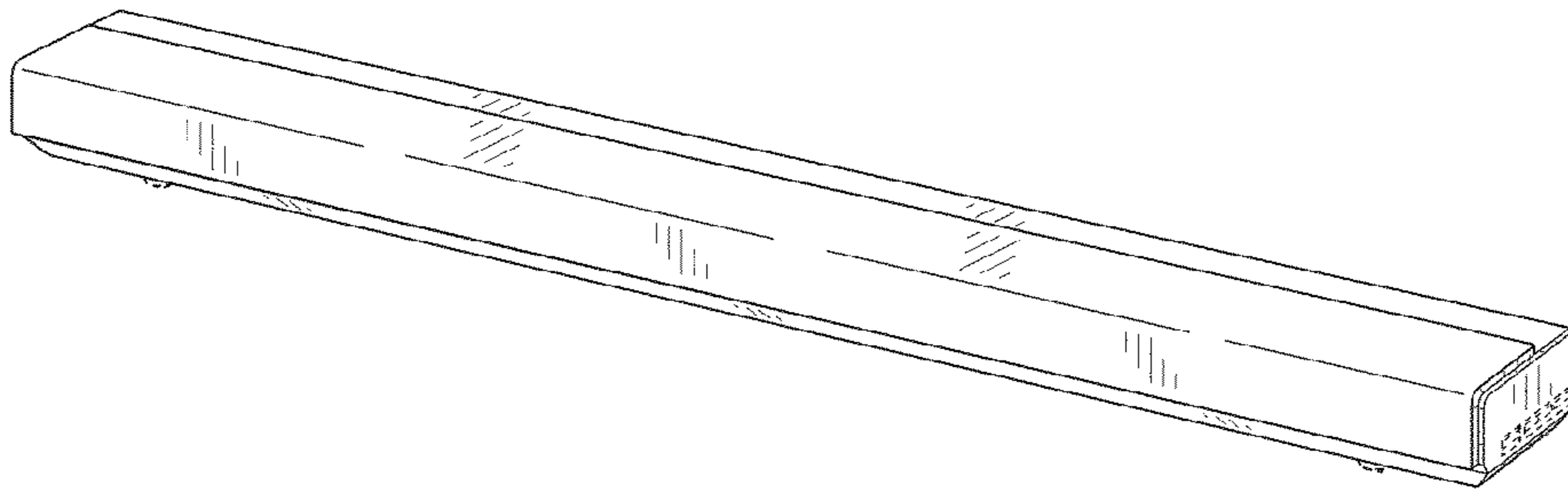


FIG. 2



FIG. 3

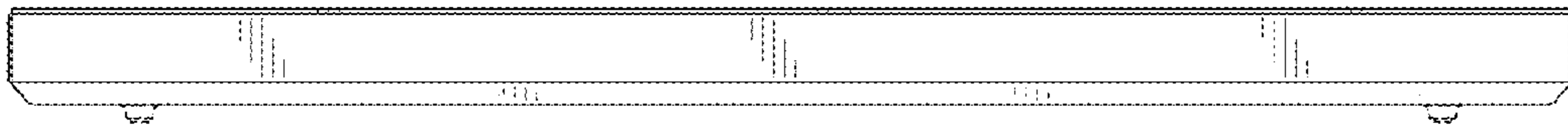


FIG. 4



FIG. 5



FIG. 6

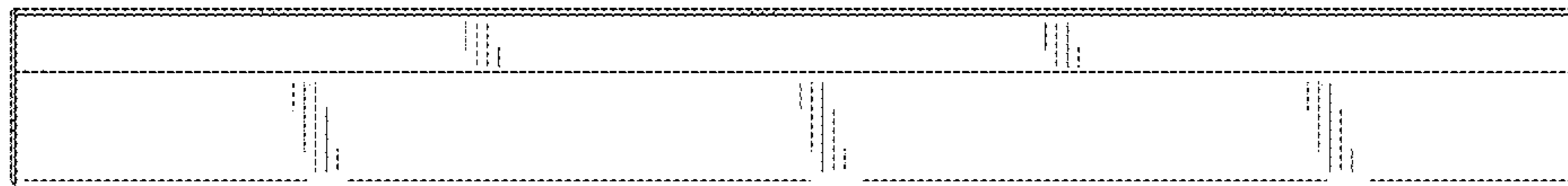


FIG. 7

