



US00D688230S

(12) **United States Design Patent**  
**Yoneya et al.**

(10) **Patent No.:** **US D688,230 S**

(45) **Date of Patent:** **\*\* Aug. 20, 2013**

(54) **SPEAKER SYSTEM FOR PORTABLE DEVICE**

(71) Applicant: **Panasonic Corporation**, Osaka (JP)

(72) Inventors: **Kiyoshi Yoneya**, Osaka (JP); **Hiroki Nishii**, Osaka (JP)

(73) Assignee: **Panasonic Corporation**, Osaka (JP)

(\*\*) Term: **14 Years**

(21) Appl. No.: **29/440,739**

(22) Filed: **Dec. 27, 2012**

(51) **LOC (9) Cl.** ..... **14-03**

(52) **U.S. Cl.**

USPC ..... **D14/214; D14/212**

(58) **Field of Classification Search**

USPC ..... D14/167, 172, 194-196, 204, 207,  
D14/209.1, 210-216, 221, 222; 181/143,  
181/144, 147, 148, 150, 153, 157, 198, 199;  
381/300-303, 306, 332, 333, 336, 345, 361-364,  
381/386-388

See application file for complete search history.

(56) **References Cited**

**U.S. PATENT DOCUMENTS**

D370,680 S \* 6/1996 Kobayashi ..... D14/214  
D442,933 S \* 5/2001 Sawai ..... D14/500

D486,814 S \* 2/2004 Nakamura ..... D14/167  
D512,408 S \* 12/2005 Suzuki ..... D14/167  
D550,649 S \* 9/2007 Thursfield ..... D14/199  
D582,887 S \* 12/2008 Poandl ..... D14/172  
D596,614 S \* 7/2009 Wilson ..... D14/188  
D629,387 S \* 12/2010 Lee ..... D14/203.7  
D669,879 S \* 10/2012 Iijima ..... D14/167

**FOREIGN PATENT DOCUMENTS**

JP D1140599 5/2002

\* cited by examiner

*Primary Examiner* — Keli L Hill

(74) *Attorney, Agent, or Firm* — Panasonic Patent Center

(57) **CLAIM**

We claim the ornamental design for a speaker system for portable device, as shown and described.

**DESCRIPTION**

FIG. 1 is a perspective view of a speaker system for portable device of the present invention;

FIG. 2 is a front view thereof;

FIG. 3 is a rear view thereof;

FIG. 4 is a first side view thereof;

FIG. 5 is a second side view thereof;

FIG. 6 is a top view thereof; and,

FIG. 7 is a bottom view thereof.

The broken line showing of speaker system for portable device is included for the purpose of illustrating environment and forms no part of the claimed design.

**1 Claim, 7 Drawing Sheets**

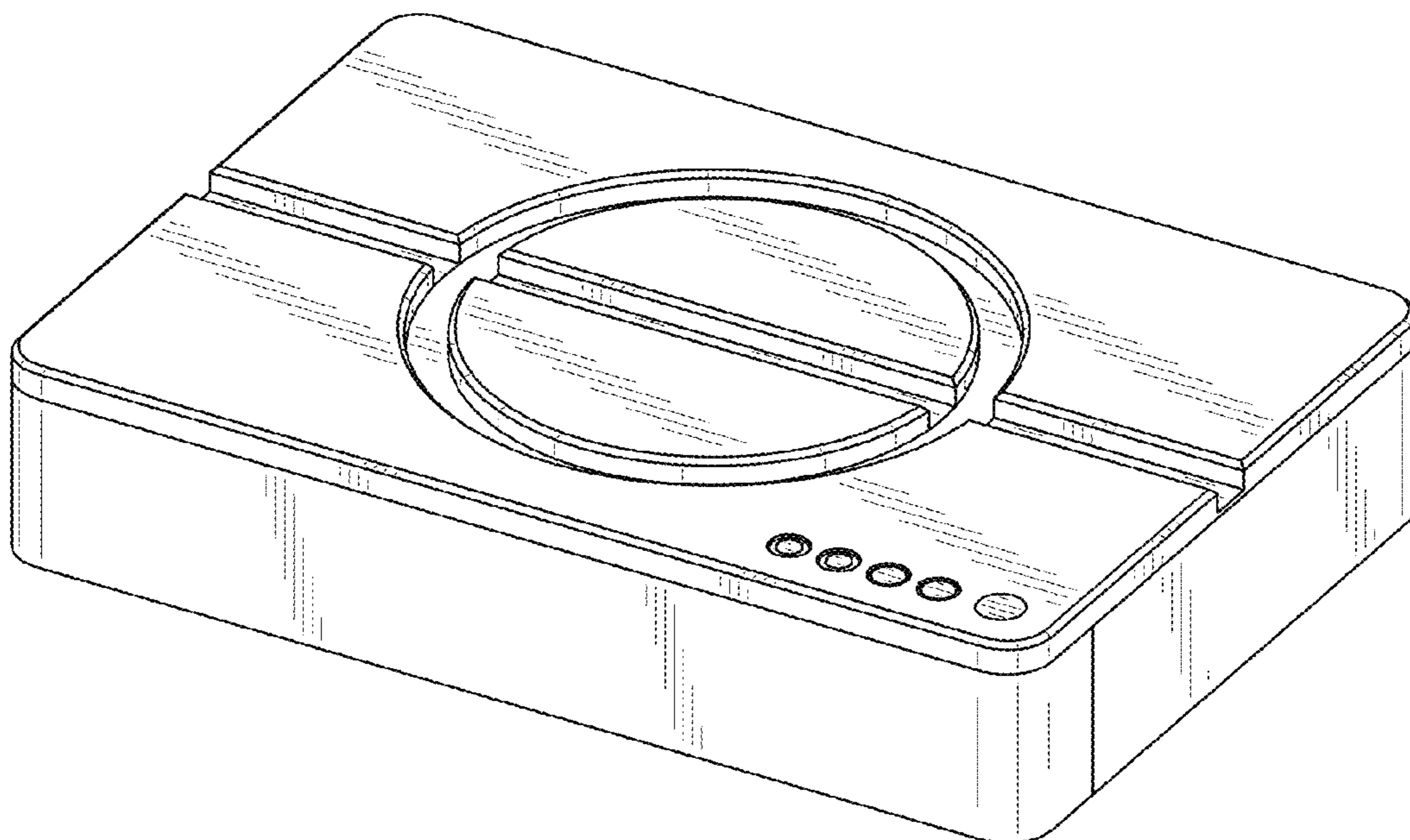


FIG. 1

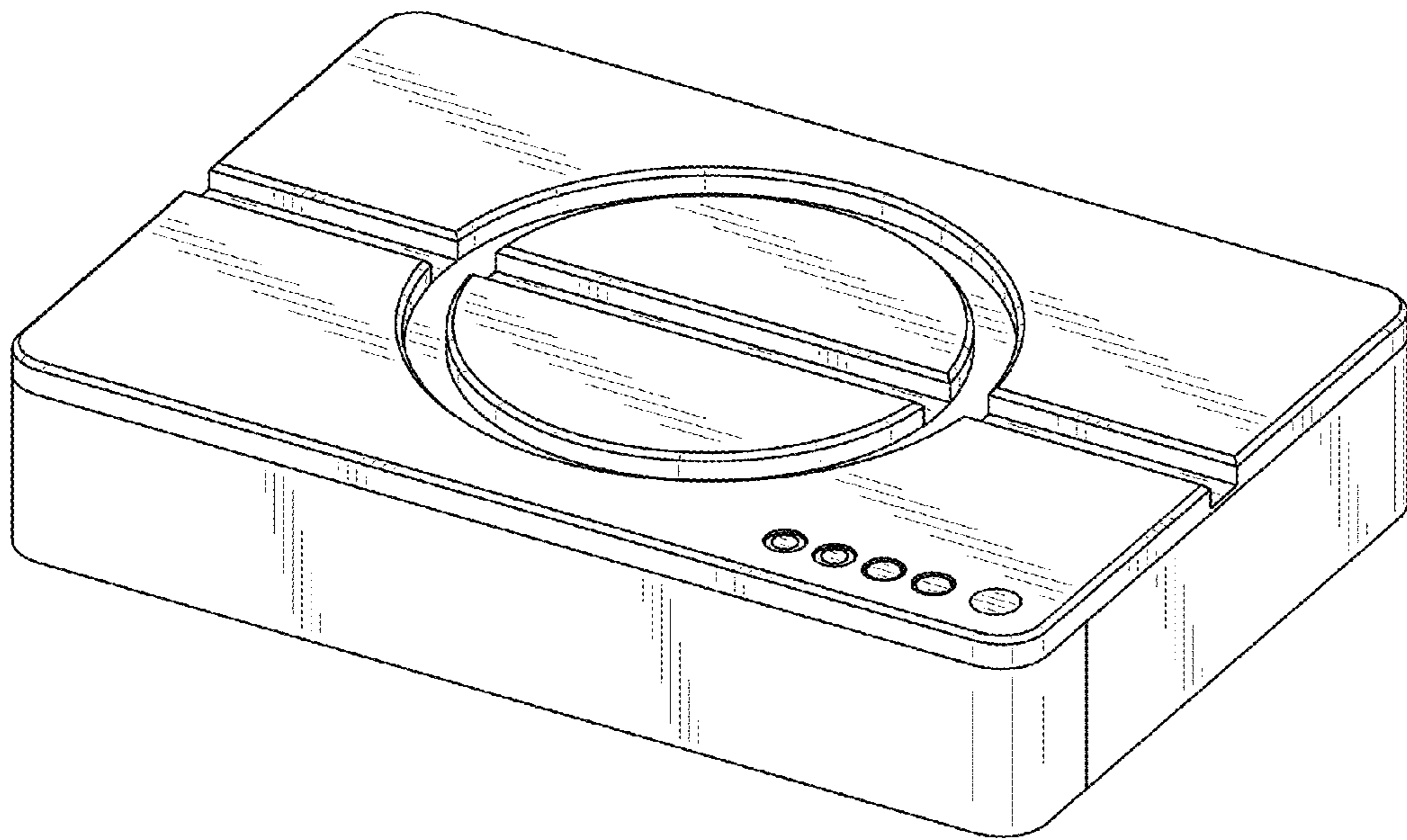


FIG. 2

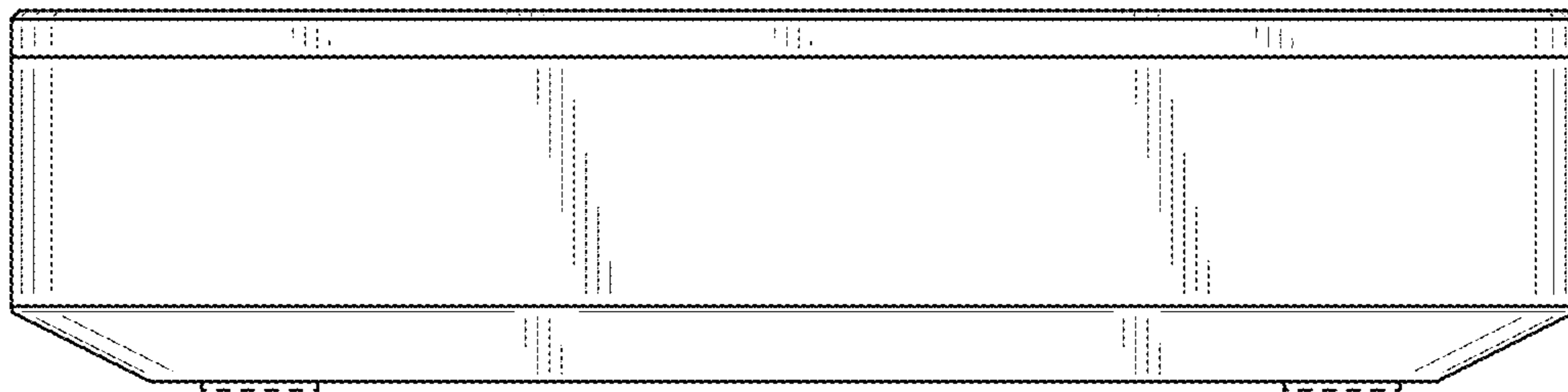


FIG. 3

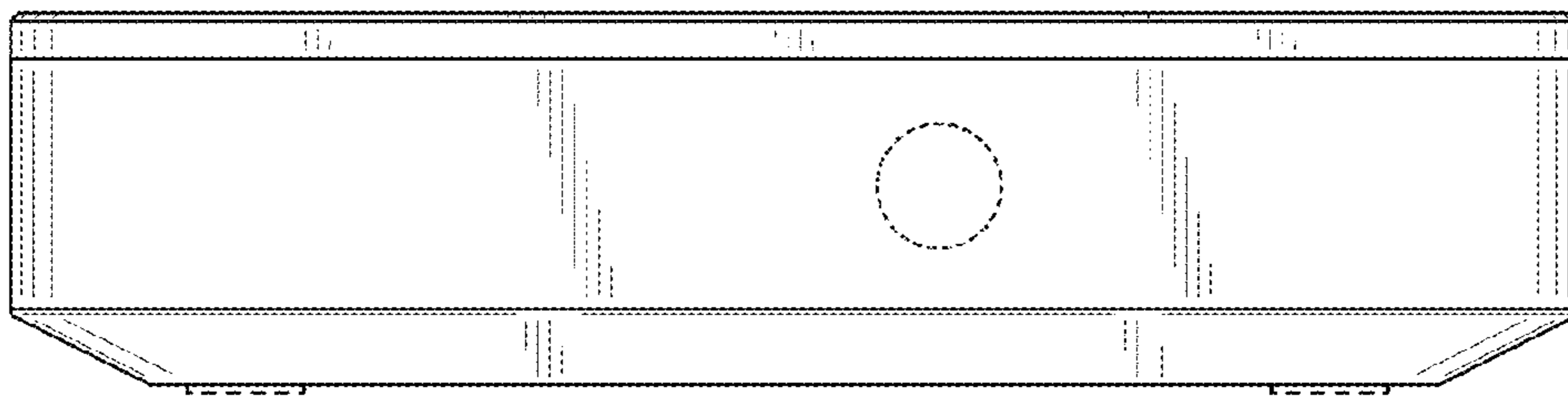


FIG. 4

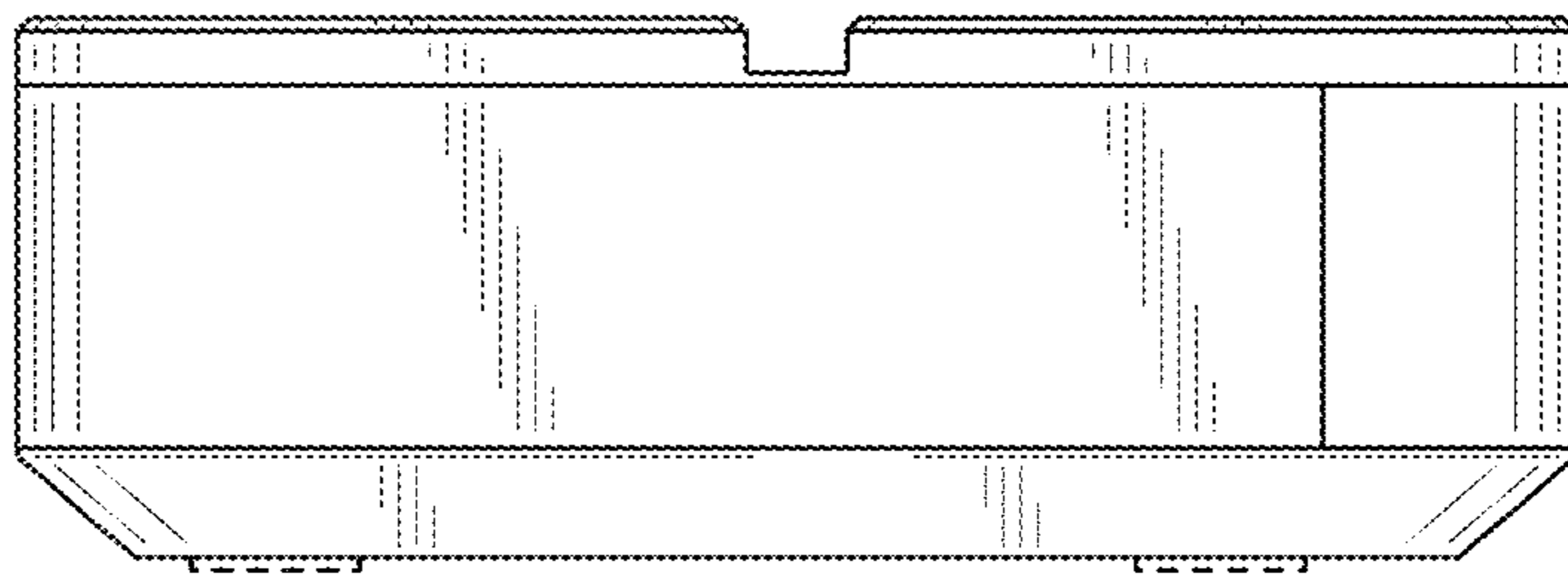


FIG. 5

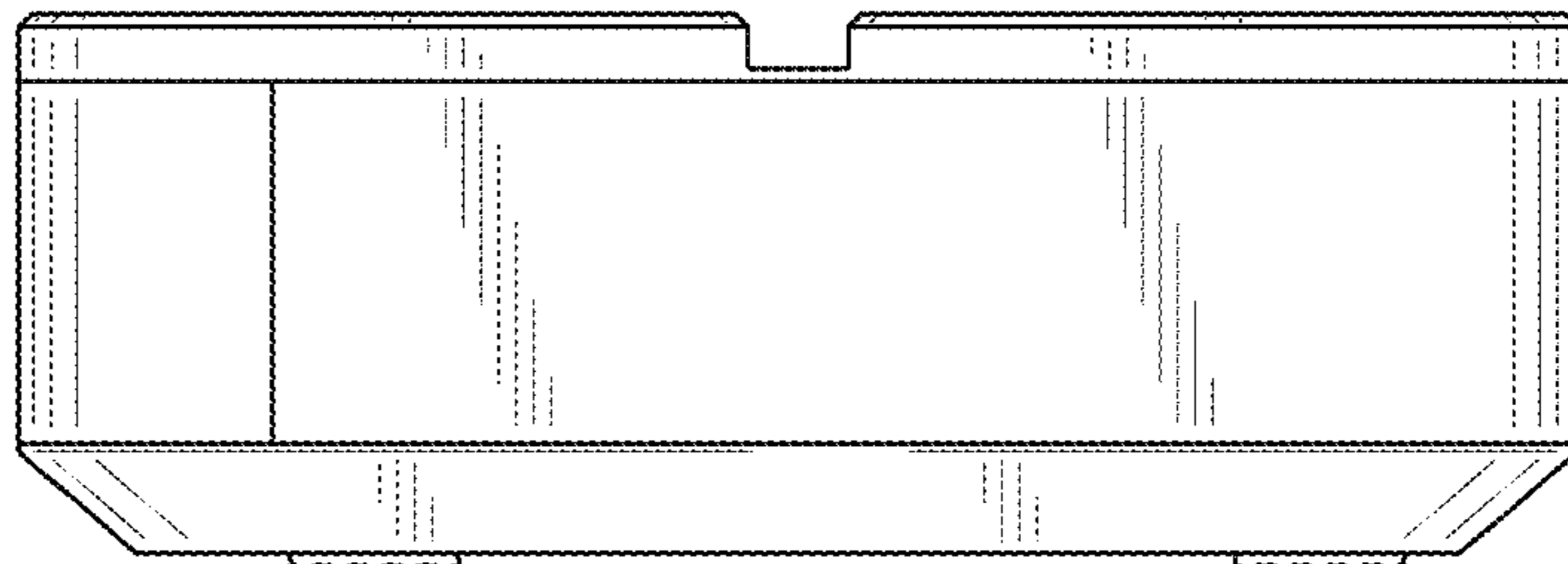


FIG. 6

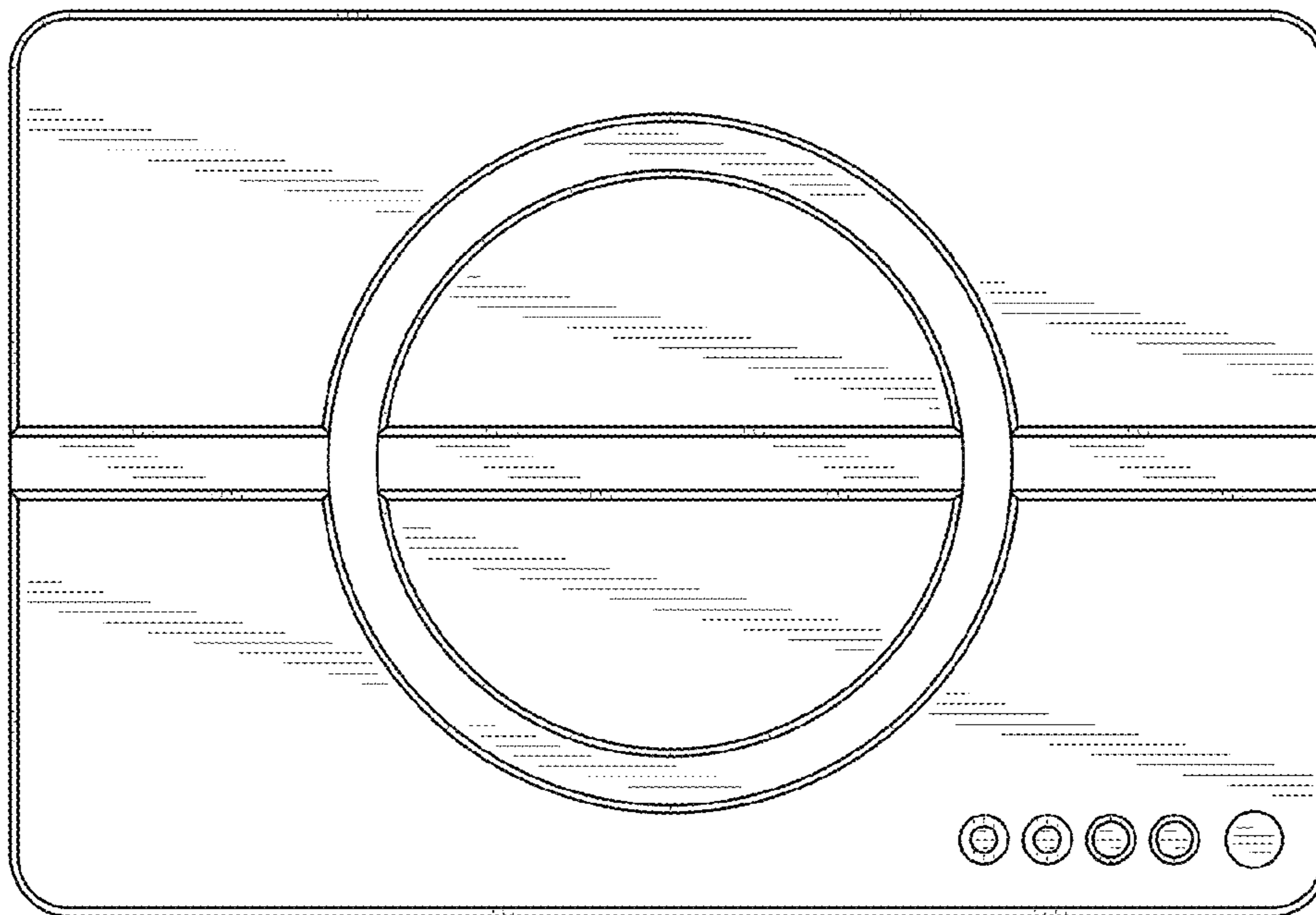


FIG. 7

