



US00D688228S

(12) **United States Design Patent**  
**Ryu et al.**

(10) **Patent No.:** **US D688,228 S**

(45) **Date of Patent:** **\*\* Aug. 20, 2013**

(54) **SPEAKER DOCK FOR HAND-HELD  
TERMINALS**

(75) Inventors: **Dai Hyung Ryu**, Gyeonggi-do (KR);  
**Min Jae Lee**, Seoul (KR); **Gang Ho  
Woo**, Seoul (KR); **Ha Na Kim**, Seoul  
(KR); **Ho Young Joo**, Gyeonggi-do (KR)

(73) Assignee: **LG Electronics Inc.**, Seoul (KR)

(\*\*) Term: **14 Years**

(21) Appl. No.: **29/418,987**

(22) Filed: **Apr. 24, 2012**

(30) **Foreign Application Priority Data**

Nov. 11, 2011 (KR) ..... 30-2011-0047587

(51) **LOC (9) Cl.** ..... **14-01**

(52) **U.S. Cl.**  
USPC ..... **D14/209.1**

(58) **Field of Classification Search**  
USPC ..... D14/204, 204.1, 210–216, 172, 434;  
181/143, 144, 147, 148, 150–153, 157, 198,  
181/199; 381/300–306, 332, 333, 336, 345,  
381/361–364

See application file for complete search history.

(56) **References Cited**

U.S. PATENT DOCUMENTS

D527,018	S	*	8/2006	Christianson	.....	D14/203.8
D598,005	S	*	8/2009	Amano	.....	D14/209.1
D599,782	S	*	9/2009	Tse	.....	D14/209.1
7,689,197	B2	*	3/2010	Laude et al.	.....	455/344
D641,338	S	*	7/2011	Chen	.....	D14/209.1
D647,505	S	*	10/2011	Skurdal	.....	D14/209.1
D656,919	S	*	4/2012	Skurdal	.....	D14/171
8,180,095	B2	*	5/2012	Zhang	.....	381/387
D676,412	S	*	2/2013	Holzer	.....	D14/171
D676,829	S	*	2/2013	Kaneko	.....	D14/209.1
D677,245	S	*	3/2013	Joseph	.....	D14/209.1

\* cited by examiner

*Primary Examiner* — Prabhakar Deshmukh

(74) *Attorney, Agent, or Firm* — Morgan, Lewis & Bockius  
LLP

(57) **CLAIM**

We claim the ornamental design for a speaker dock for hand-held terminals, as shown and described.

**DESCRIPTION**

FIG. 1 is a perspective view of a speaker dock for hand-held terminals showing our new design;  
FIG. 2 is a front elevation view thereof;  
FIG. 3 is a rear elevation view thereof;  
FIG. 4 is a left-side elevation view thereof;  
FIG. 5 is a right-side elevation view thereof;  
FIG. 6 is a top plan view thereof; and,  
FIG. 7 is a bottom plan view thereof.

**1 Claim, 4 Drawing Sheets**

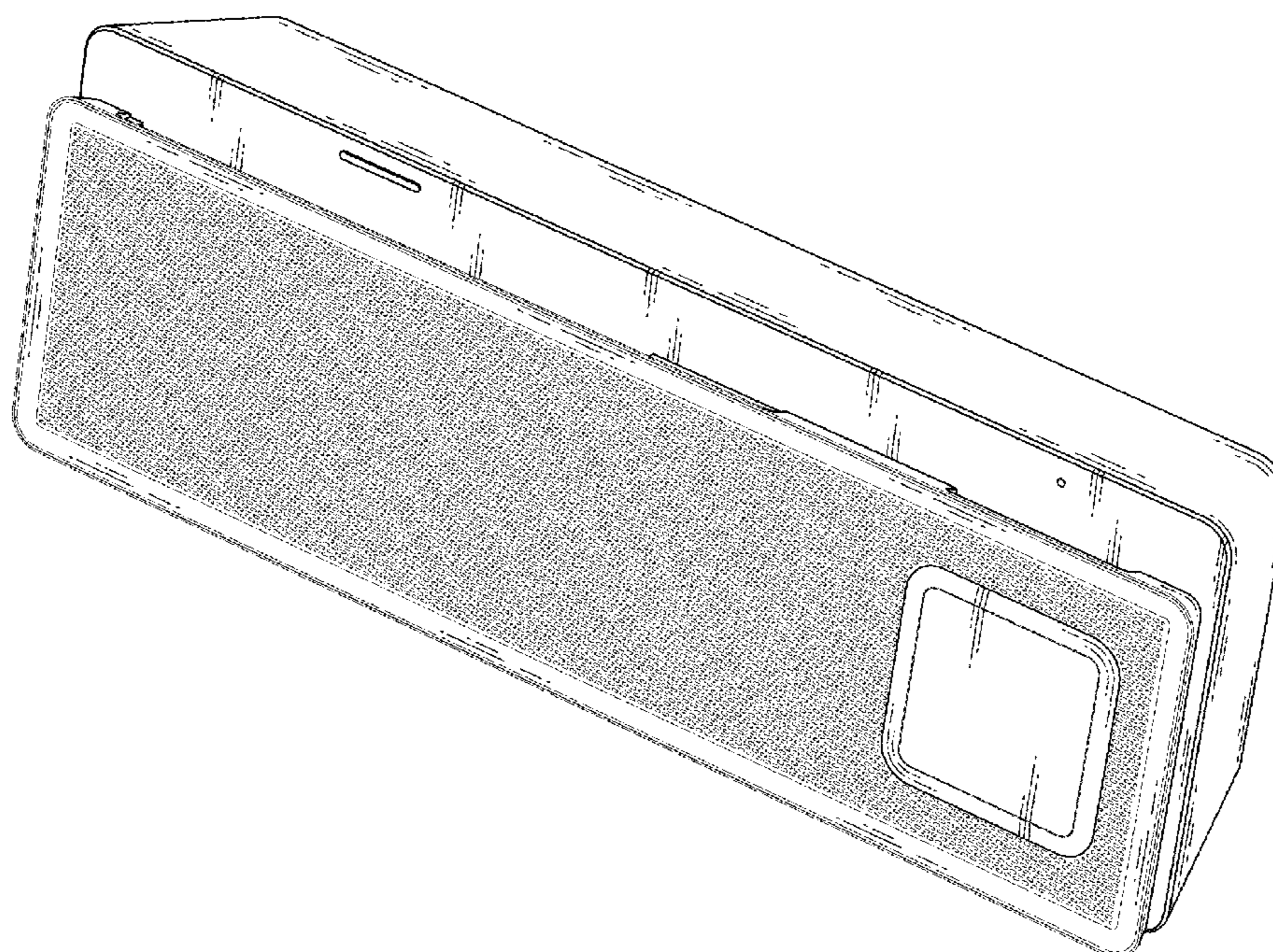


FIG. 1

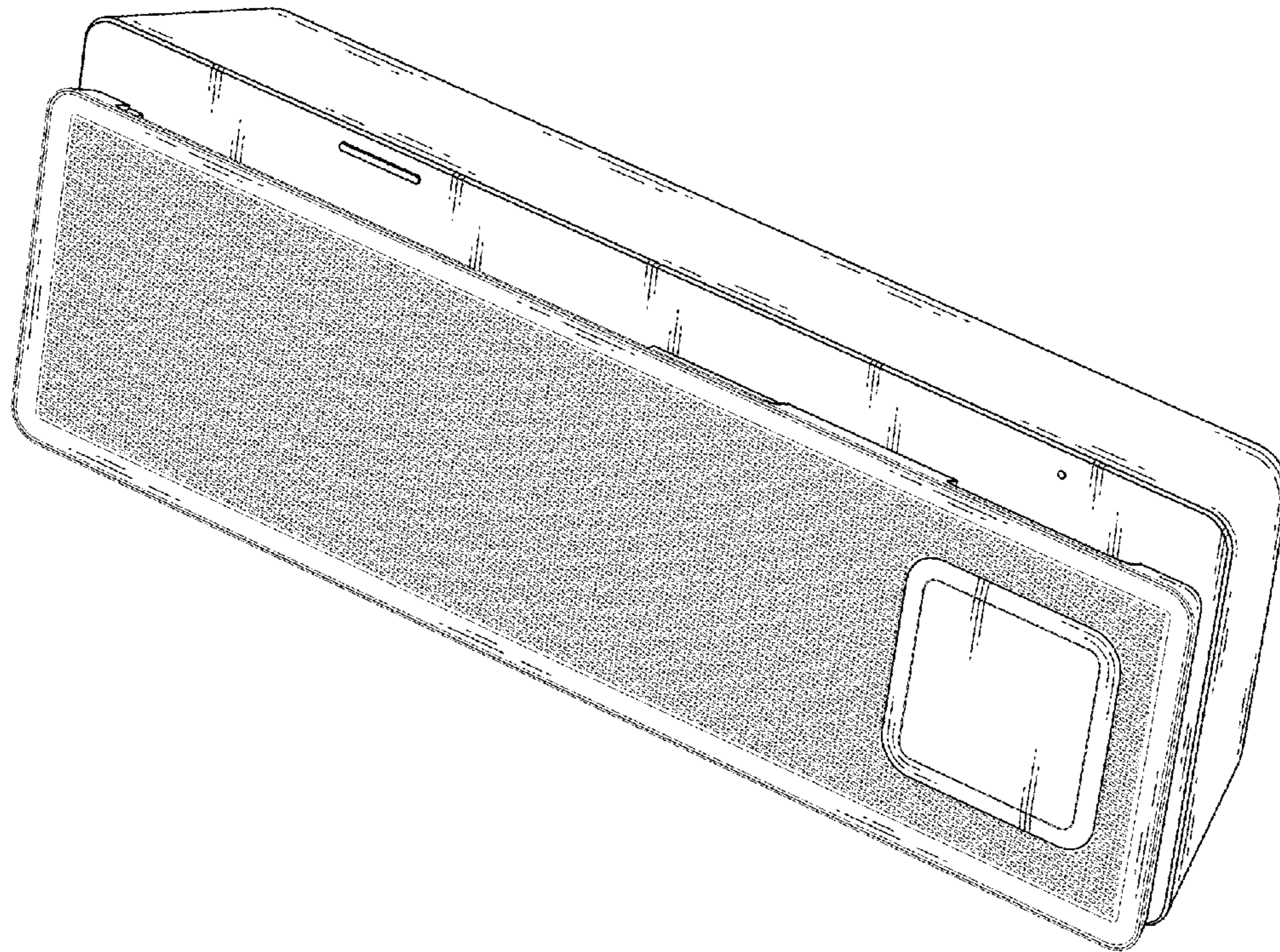


FIG.2

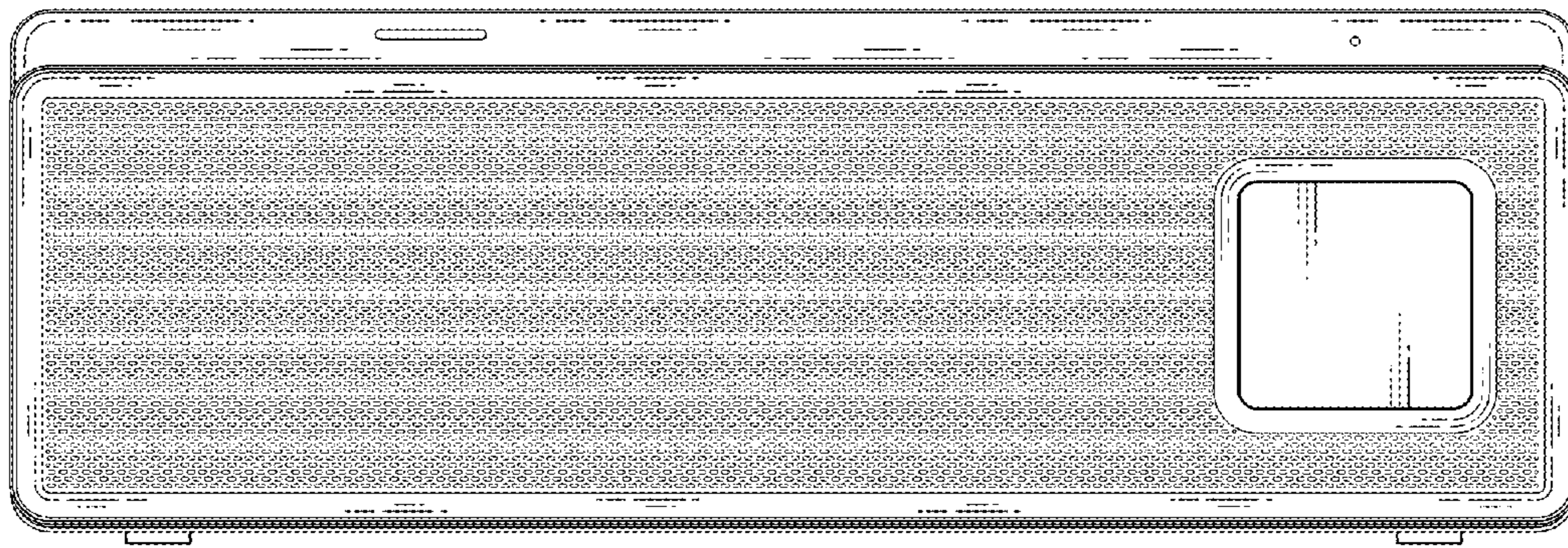


FIG.3

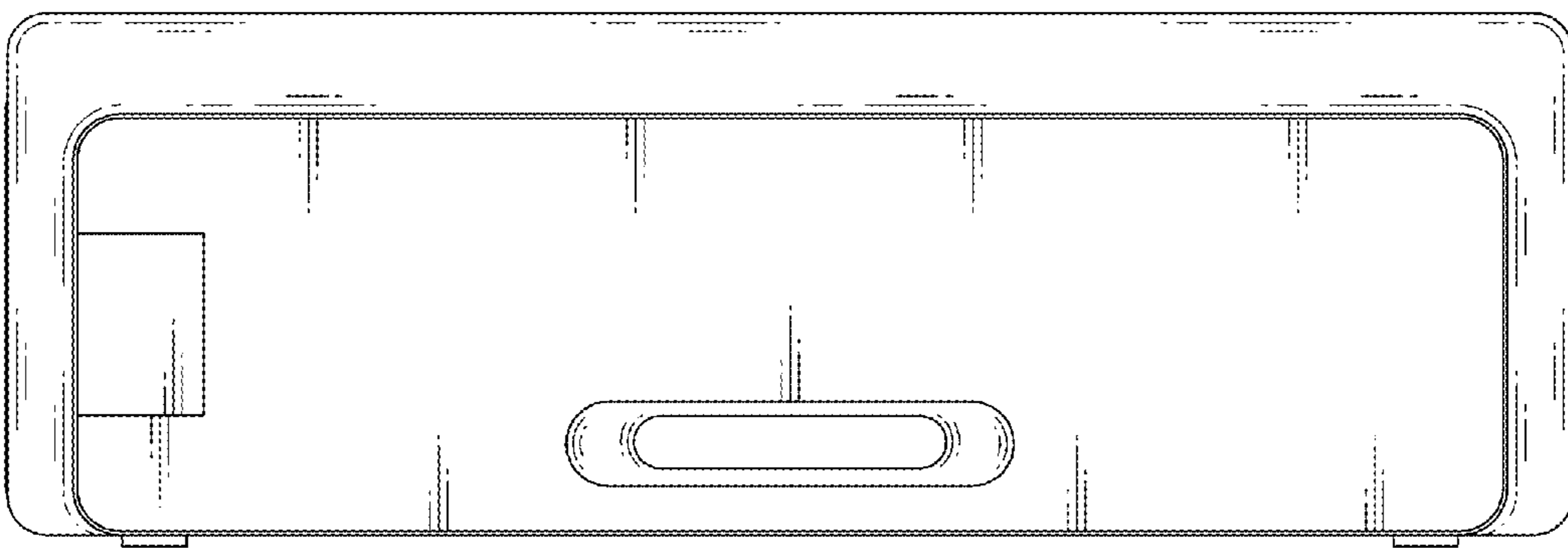


FIG. 4

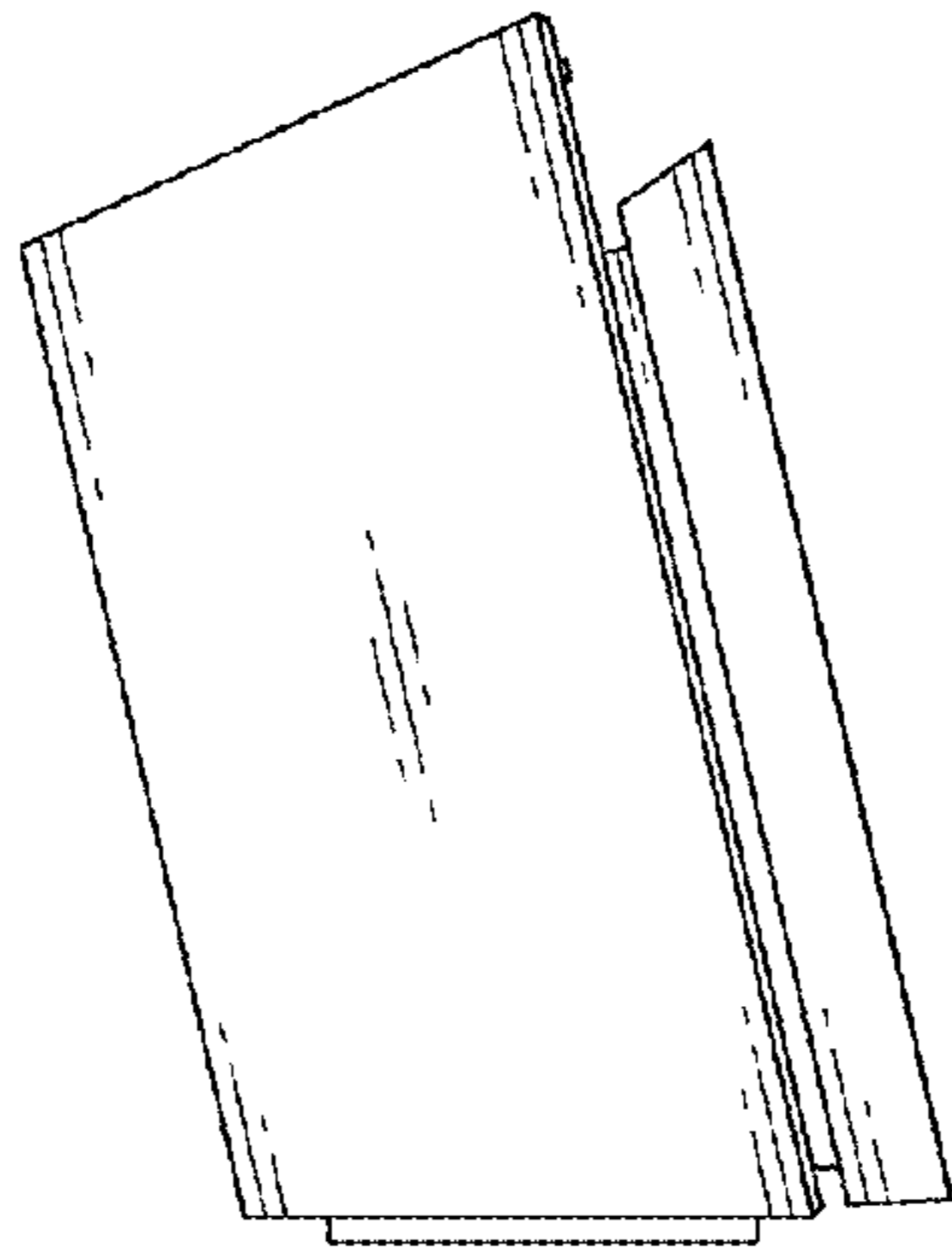


FIG. 5

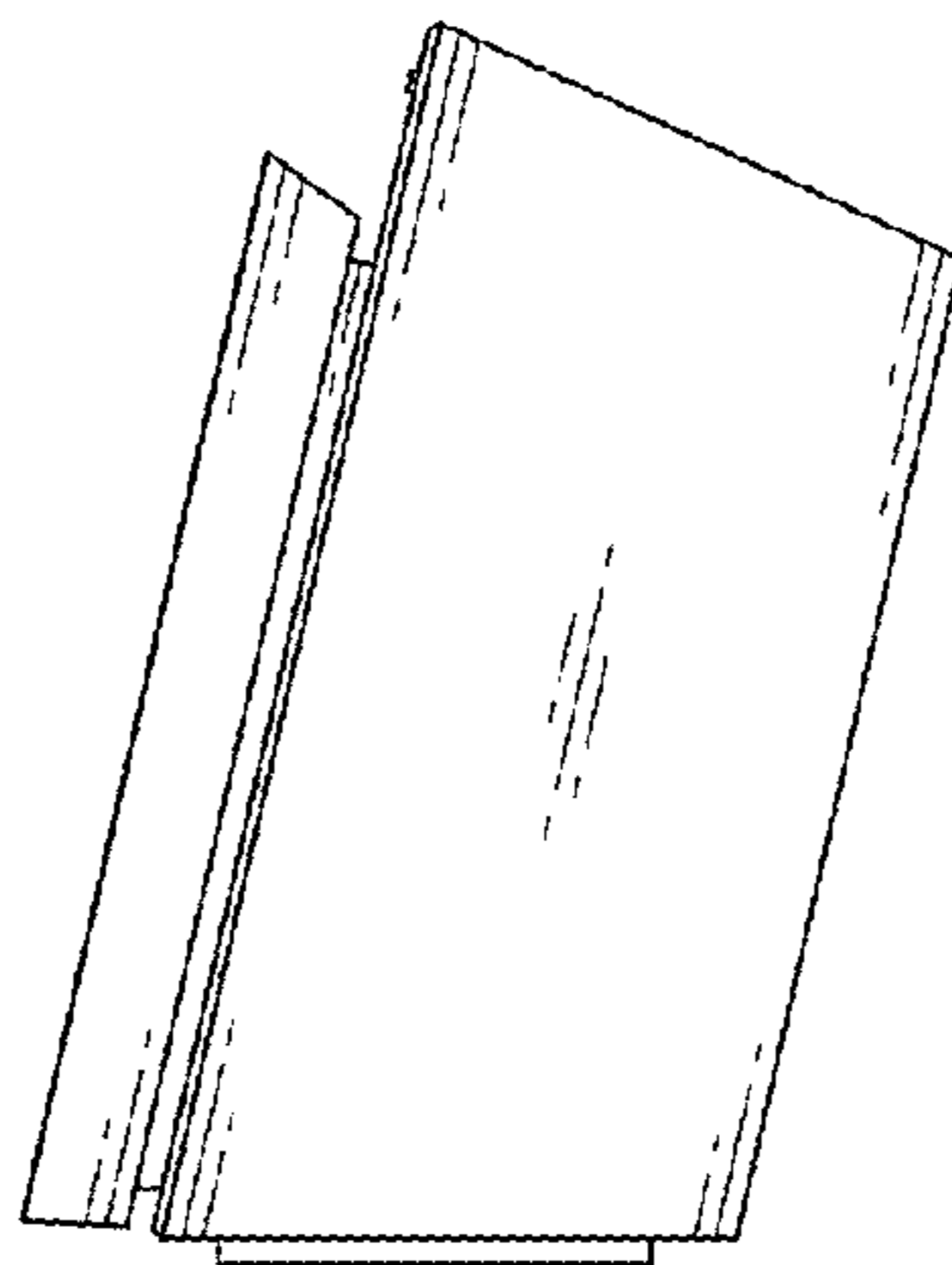


FIG. 6

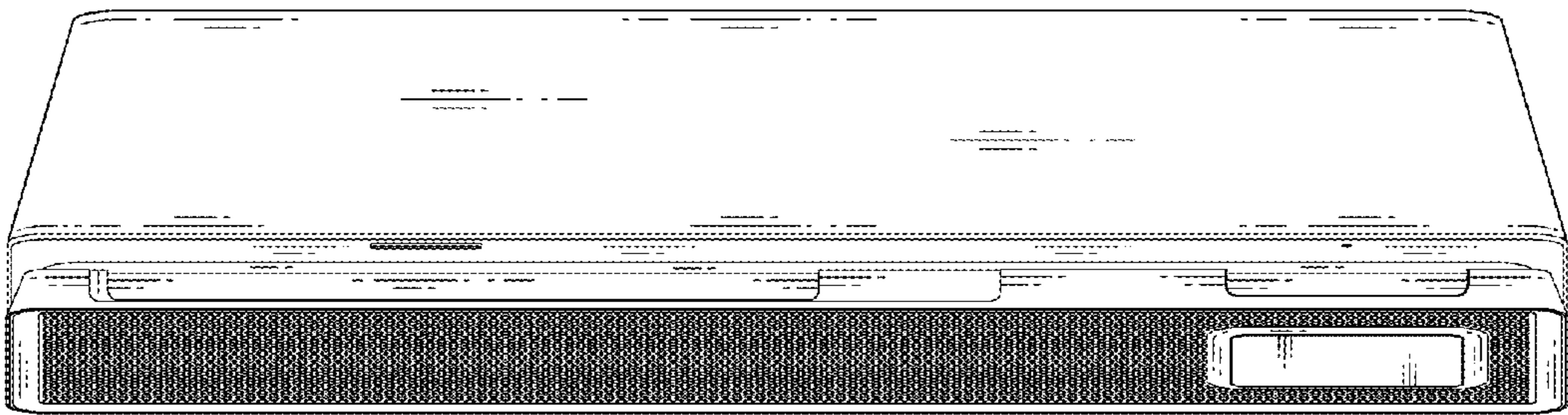


FIG. 7

