



US00D688219S

(12) **United States Design Patent**
Ikezu et al.

(10) **Patent No.:** **US D688,219 S**

(45) **Date of Patent:** **** Aug. 20, 2013**

(54) **PORTABLE WIRELESS TELEPHONE**

(75) Inventors: **Hayato Ikezu**, Shibuya-ku (JP);
Shinobu Sugioka, Shibuya-ku (JP);
Takao Matsuda, Shibuya-ku (JP)

(73) Assignee: **NEC Casio Mobile Communications Ltd.**, Kanagawa (JP)

(**) Term: **14 Years**

(21) Appl. No.: **29/422,850**

(22) Filed: **May 24, 2012**

(30) **Foreign Application Priority Data**

Jan. 5, 2012 (JP) 2012-000036

(51) **LOC (9) Cl.** **14-03**

(52) **U.S. Cl.**
USPC **D14/138 G**

(58) **Field of Classification Search**
USPC D14/138 G, 138 AD, 341, 346, 138 R,
D14/138 AC, 496, 203.1, 203.4, 203.7, 248,
D14/218; 455/575.1, 556.2, 575.3, 575.4;
D21/517; 379/433.01, 433.04; D10/65,
D10/78, 104; D13/168

See application file for complete search history.

(56) **References Cited**

U.S. PATENT DOCUMENTS

- D461,175 S * 8/2002 Yokota D14/144
- D492,697 S * 7/2004 Tsai D14/203.7
- D528,090 S * 9/2006 Lee et al. D14/138 AD
- D537,441 S * 2/2007 Bruker D14/341
- D543,174 S * 5/2007 Kim D14/138 AD
- D554,098 S * 10/2007 Lee D14/138 AD
- D554,099 S * 10/2007 Kim et al. D14/138 AD
- D554,635 S * 11/2007 Chung et al. D14/341

- D555,134 S * 11/2007 Sung et al. D14/138 AC
- D562,795 S * 2/2008 Nara D14/138 AD
- D563,377 S * 3/2008 Price et al. D14/138 AD
- D580,396 S * 11/2008 Kang D14/138 G
- D590,368 S * 4/2009 Mezaki D14/138 AD
- D591,740 S * 5/2009 Luke et al. D14/341
- D597,512 S * 8/2009 Kim et al. D14/138 G
- D601,139 S * 9/2009 Huang et al. D14/341
- D608,358 S * 1/2010 Ong D14/345
- D616,855 S * 6/2010 Song et al. D14/138 AD
- D616,856 S * 6/2010 Song et al. D14/138 AD
- D619,556 S * 7/2010 Han et al. D14/138 G
- D638,834 S * 5/2011 Wesolek D14/341
- D654,462 S * 2/2012 Nara et al. D14/138 G
- D668,649 S * 10/2012 Burke et al. D14/341
- D677,182 S * 3/2013 Lee et al. D10/65
- D677,231 S * 3/2013 Behling D14/138 G

OTHER PUBLICATIONS

Kyocera Torque E6710 telephone, announced Jan. 2013, [online], [site visited Mar. 19, 2013]. Available from Internet, <URL: http://www.gsmarena.com/kyocera_torque_e6710-5270.php>.*

(Continued)

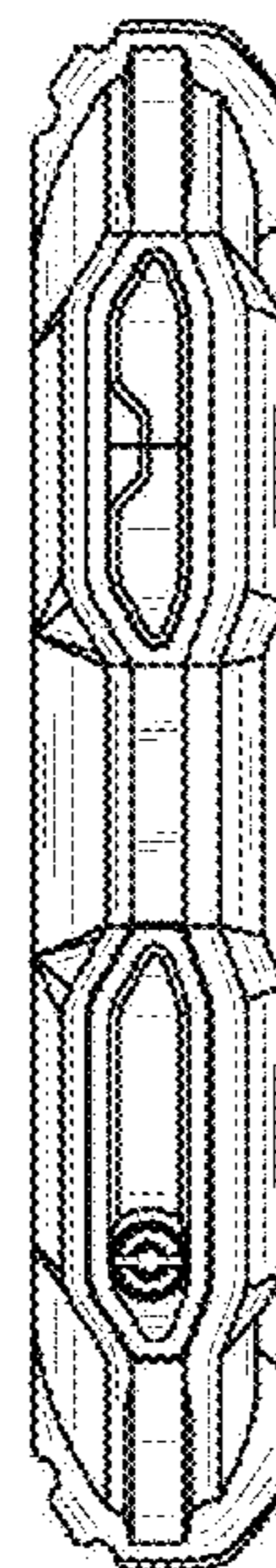
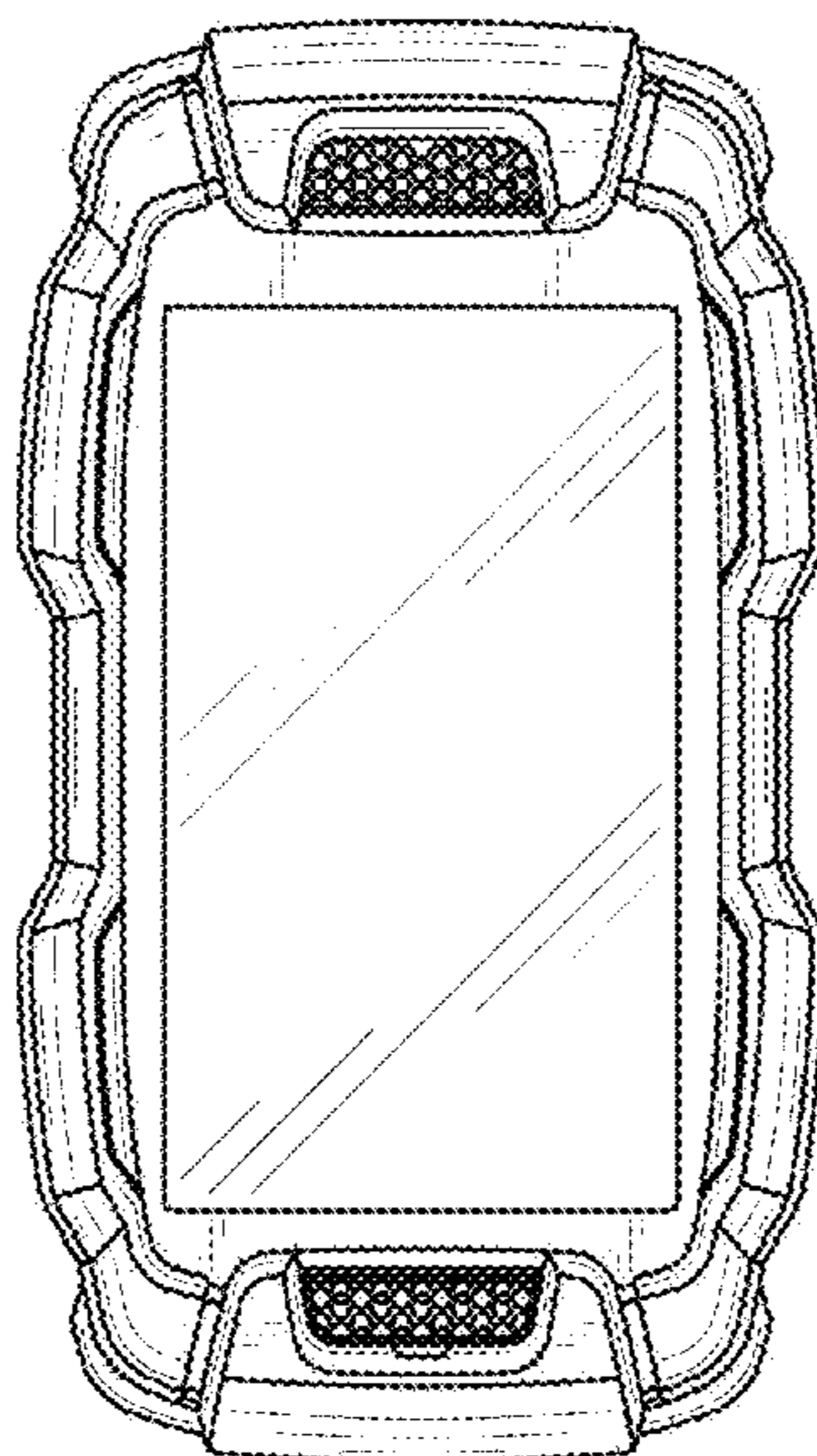
Primary Examiner — Jeffrey D Asch
(74) *Attorney, Agent, or Firm* — Sughrue Mion, PLLC

(57) **CLAIM**
The ornamental design for a portable wireless telephone, as shown and described.

DESCRIPTION

FIG. 1 is a perspective view;
FIG. 2 is a front view;
FIG. 3 is a rear view;
FIG. 4 is a left side view;
FIG. 5 is a right side view;
FIG. 6 is a top plan view, and,
FIG. 7 is bottom plan view.

1 Claim, 5 Drawing Sheets



(56)

References Cited

OTHER PUBLICATIONS

Casio G'zOne Commando telephone, announced Apr. 2011, [online], [site visited Mar. 19, 2013]. Available from Internet, <URL: http://www.gsmarena.com/casio_g'zone_commando-4550.php>.*

Sonim XP1300 Core telephone, announced Oct. 2010, [online], [site visited Mar. 19, 2013]. Available from Internet, <URL: http://www.gsmarena.com/sonim_xp1300_core-3546.php>.*

* cited by examiner

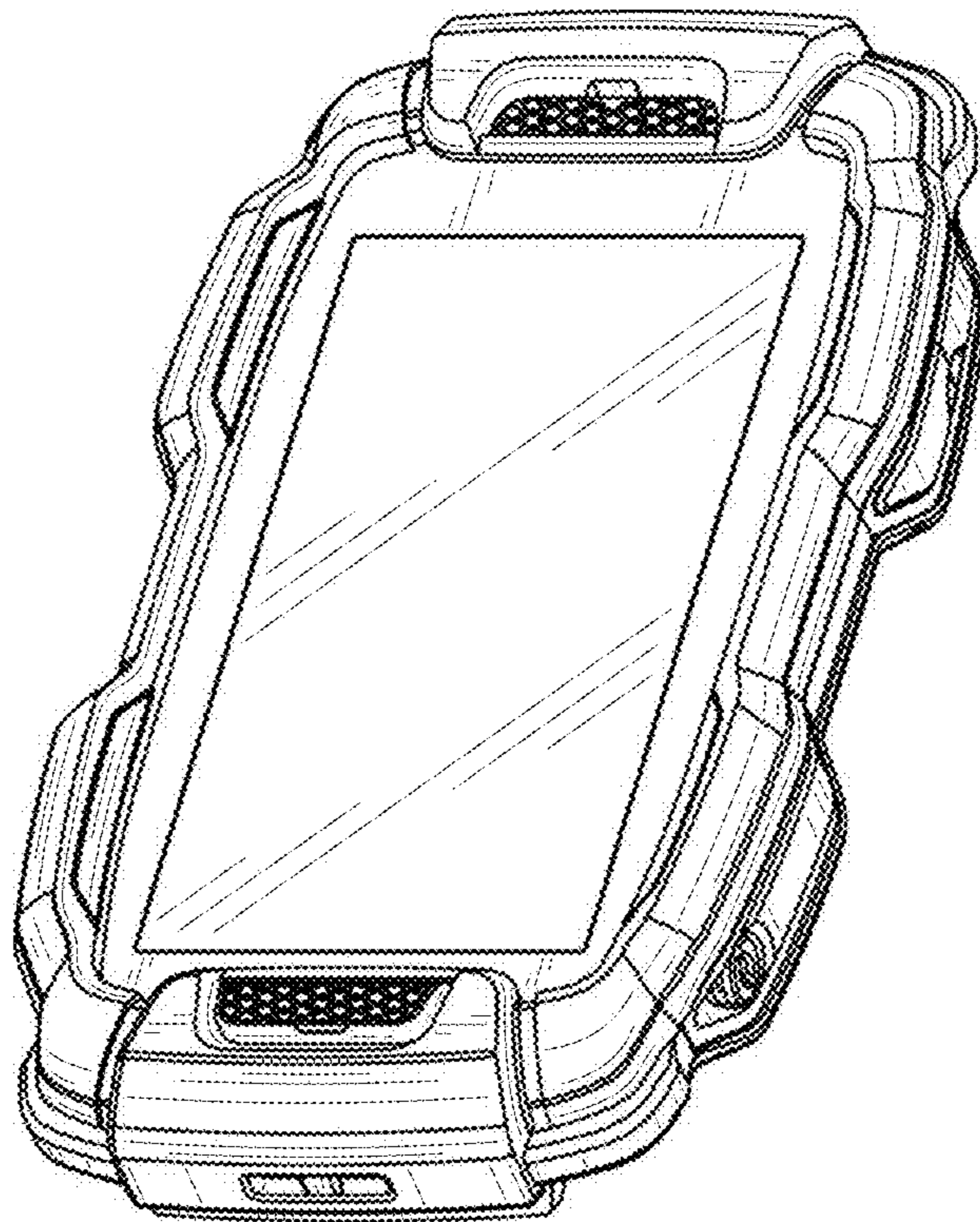


FIG. 1

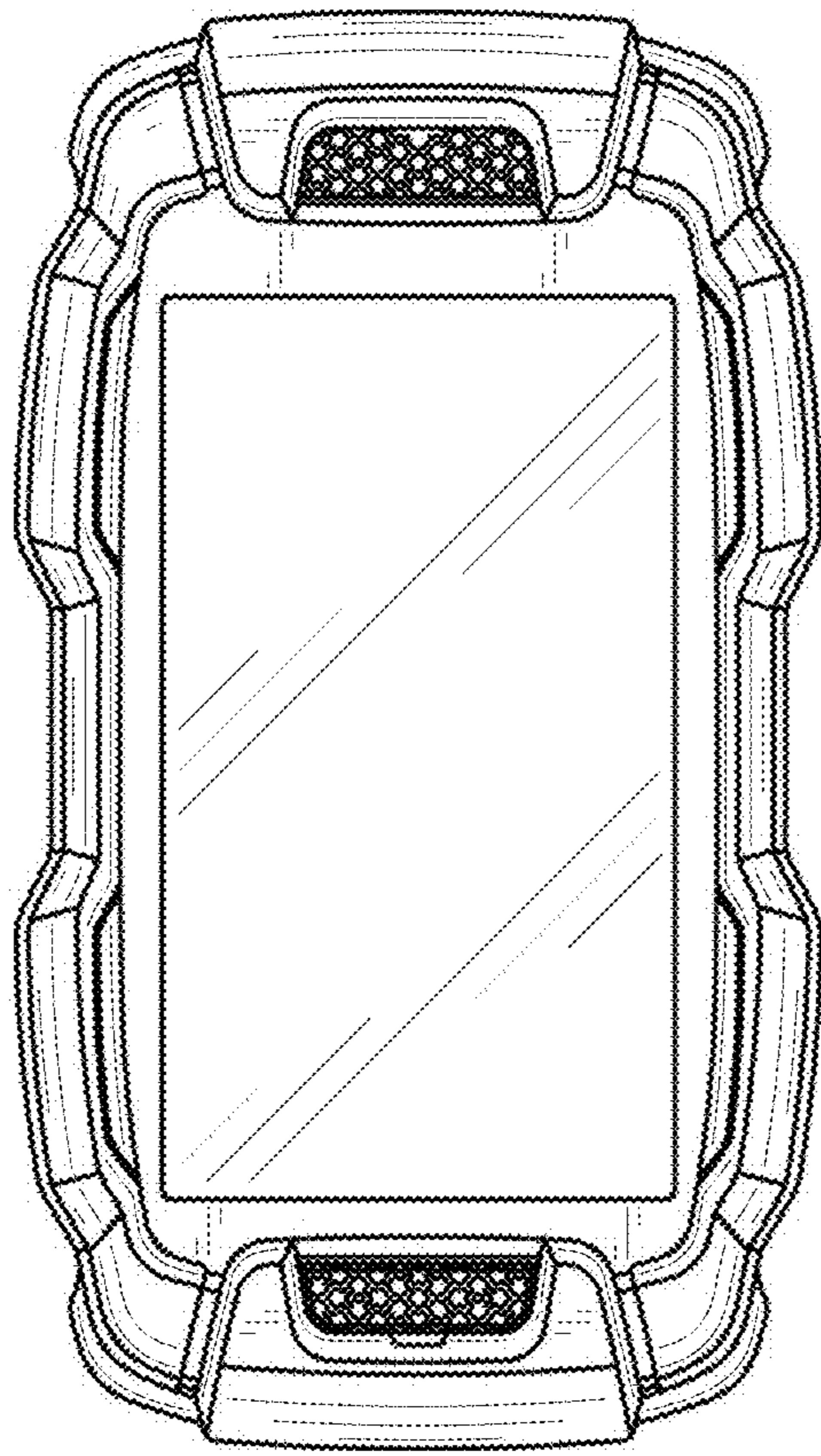


FIG. 2

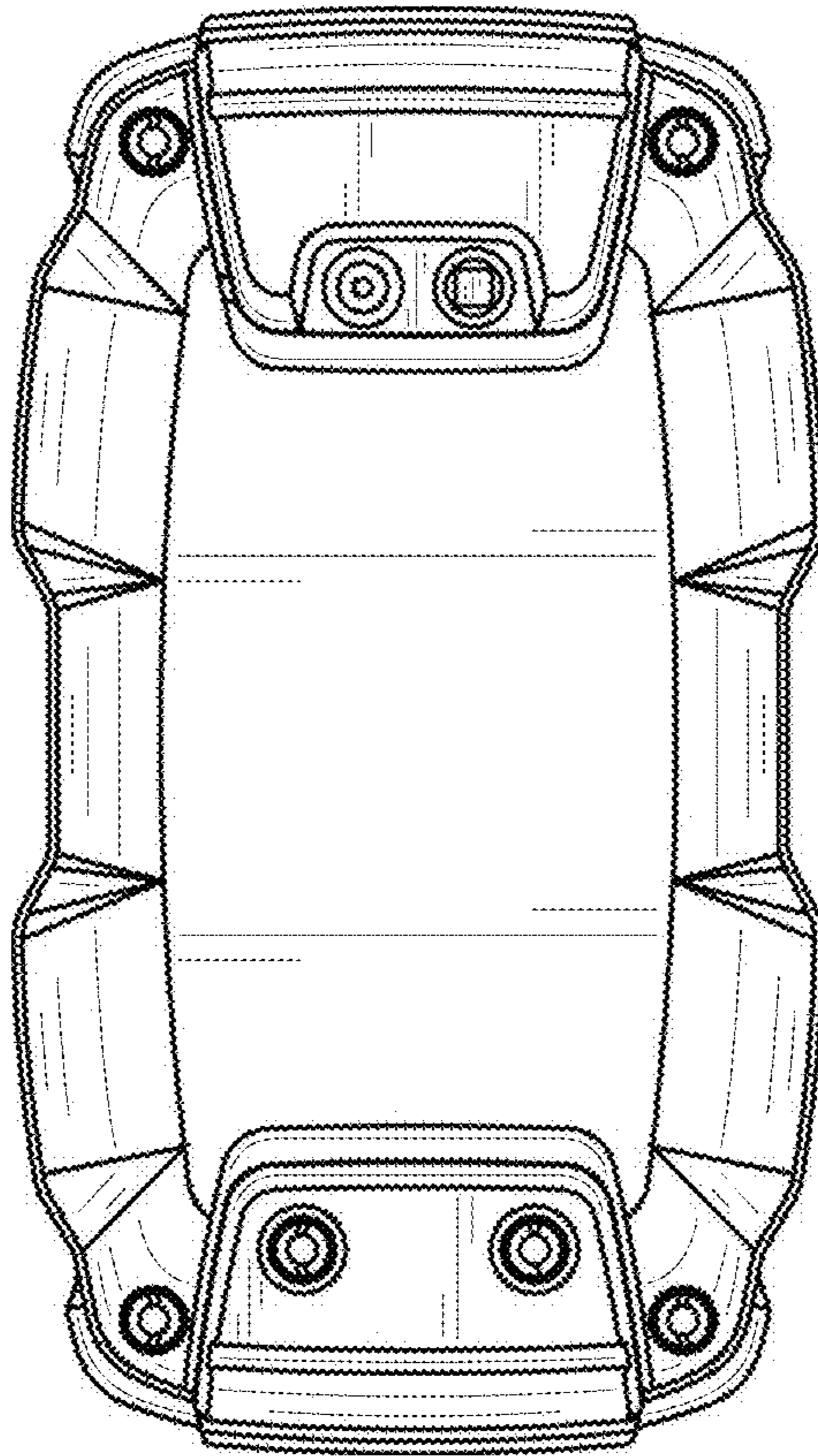


FIG. 3

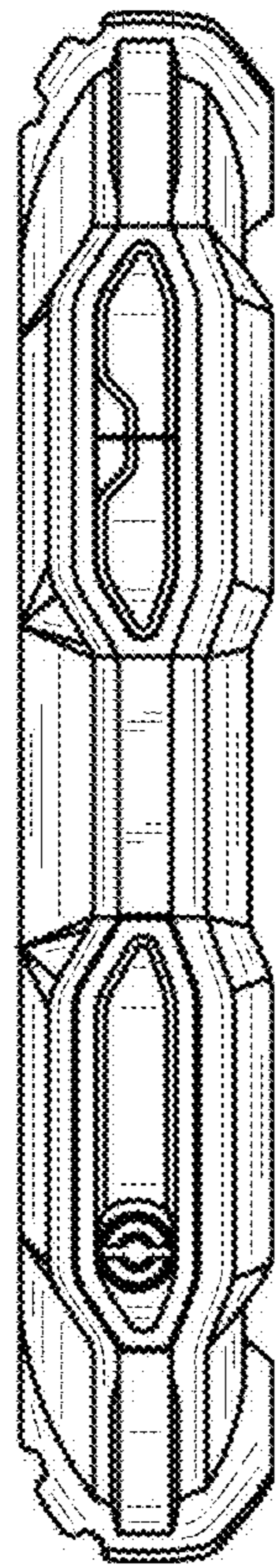


FIG. 4

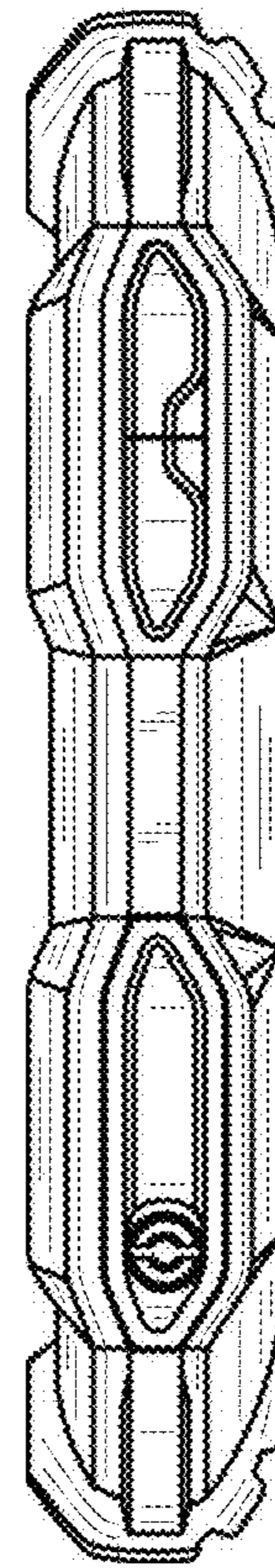


FIG. 5

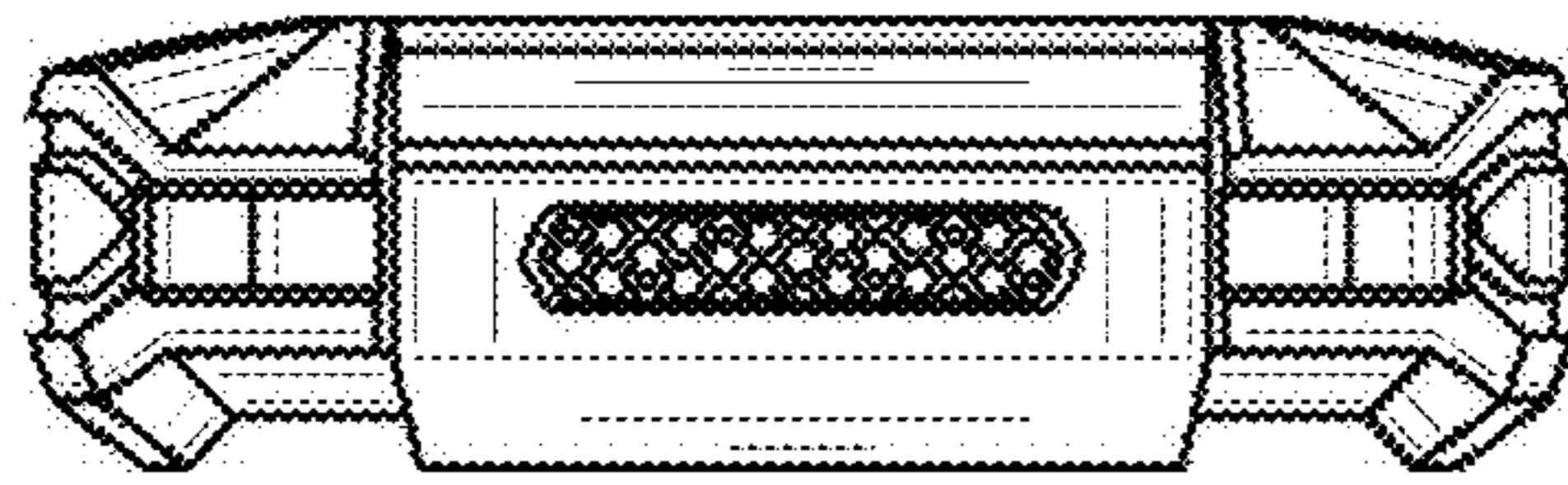


FIG. 6

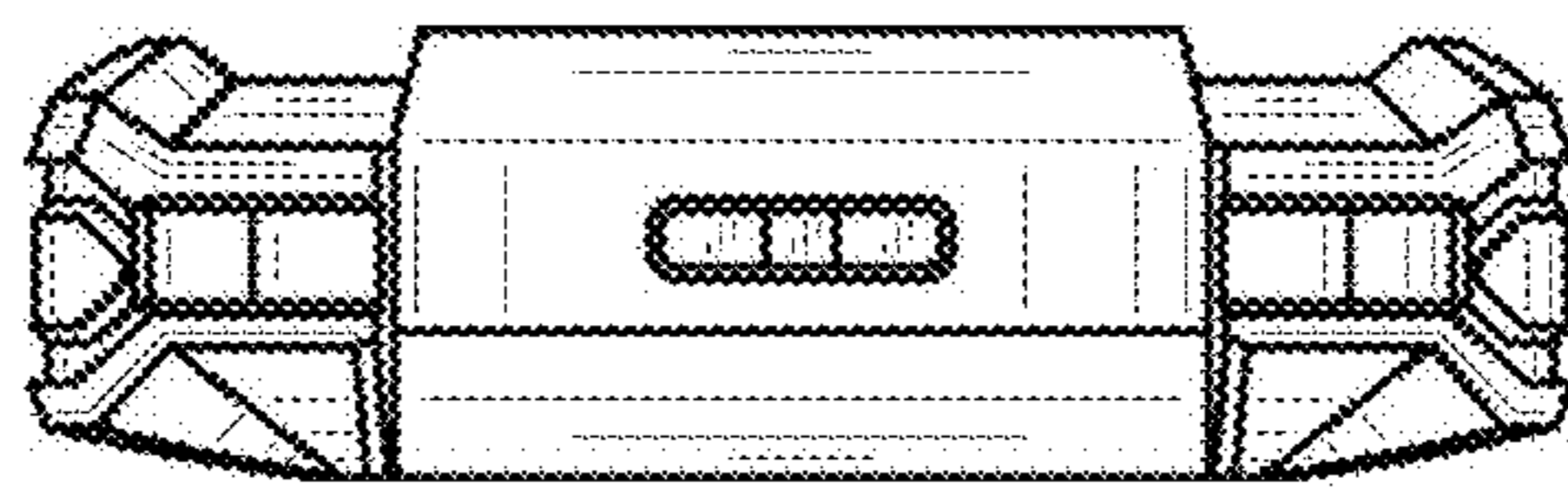


FIG. 7