



US00D688212S

(12) **United States Design Patent**
Scheucher

(10) **Patent No.:** **US D688,212 S**

(45) **Date of Patent:** **** Aug. 20, 2013**

(54) **SWITCH**

(76) **Inventor:** **Karl F. Scheucher**, Waite Hill, OH (US)

(**) **Term:** **14 Years**

(21) **Appl. No.:** **29/427,416**

(22) **Filed:** **Jul. 17, 2012**

(51) **LOC (9) Cl.** **13-03**

(52) **U.S. Cl.**
USPC **D13/158; D13/173**

(58) **Field of Classification Search**
USPC D13/123, 133, 146, 147, 139.2–139.8,
D13/151, 152, 154, 156, 158–164, 173, 184;
174/50, 53–55, 58, 60, 66, 67; 220/3.2, 3.3,
220/3.7–3.9, 241, 242, 244, 315; 439/135,
439/136, 138, 142, 367, 373, 535, 536, 537,
439/541, 892, 893

See application file for complete search history.

(56) **References Cited**

U.S. PATENT DOCUMENTS

D301,241 S *	5/1989	Chino	D14/217
D301,242 S *	5/1989	Chino	D14/217
D301,243 S *	5/1989	Chino	D14/217
D388,396 S *	12/1997	Meloche	D13/146
D399,846 S *	10/1998	Beggs	D14/217
D400,506 S *	11/1998	Mahoney	D13/146
5,837,933 A *	11/1998	Fligelman	174/50
D404,713 S *	1/1999	Hsiang	D13/147
D409,985 S *	5/1999	Hsiang	D13/151
D425,483 S *	5/2000	Bechtold et al.	D13/147
D432,987 S *	10/2000	Seo et al.	D13/123
D439,882 S *	4/2001	Miyazoe et al.	D13/147
D439,883 S *	4/2001	Miyazoe et al.	D13/147
D443,248 S *	6/2001	Sakasegawa	D13/123
D443,586 S *	6/2001	Sakasegawa	D13/123
D443,587 S *	6/2001	Sakasegawa	D13/123
D448,344 S *	9/2001	Ishitsuka et al.	D13/123

D452,681 S *	1/2002	Inoue	D13/151
D452,682 S *	1/2002	Inoue	D13/151
D452,850 S *	1/2002	Inoue	D13/151
D459,305 S *	6/2002	Malin	D13/133
D466,864 S *	12/2002	Duggan et al.	D13/123
D467,543 S *	12/2002	Sakasegawa	D13/123
6,527,599 B2 *	3/2003	Bechtold et al.	439/736
D486,791 S *	2/2004	Franks, Jr.	D13/133
D487,427 S *	3/2004	Franks, Jr.	D13/133
6,768,054 B2 *	7/2004	Sato et al.	174/50
D506,445 S *	6/2005	Mahoney	D13/154
D508,676 S *	8/2005	Franks, Jr.	D13/133
D512,376 S *	12/2005	Franks, Jr.	D13/133

(Continued)

Primary Examiner — Thomas Johannes

(74) *Attorney, Agent, or Firm* — Woodling, Krost and Rust

(57) **CLAIM**

The ornamental design for a switch, as shown and described.

DESCRIPTION

FIG. 1 is a front perspective view of the switch showing my new design;

FIG. 2 is a right side view thereof;

FIG. 3 is a left side view thereof;

FIG. 4 is a back side view thereof;

FIG. 5 is a front side view thereof;

FIG. 6 is a top view thereof;

FIG. 7 is a bottom view thereof;

FIG. 8 is a front perspective view of a second embodiment of the switch showing my new design;

FIG. 9 is a right side view of the second embodiment;

FIG. 10 is a left side view of the second embodiment;

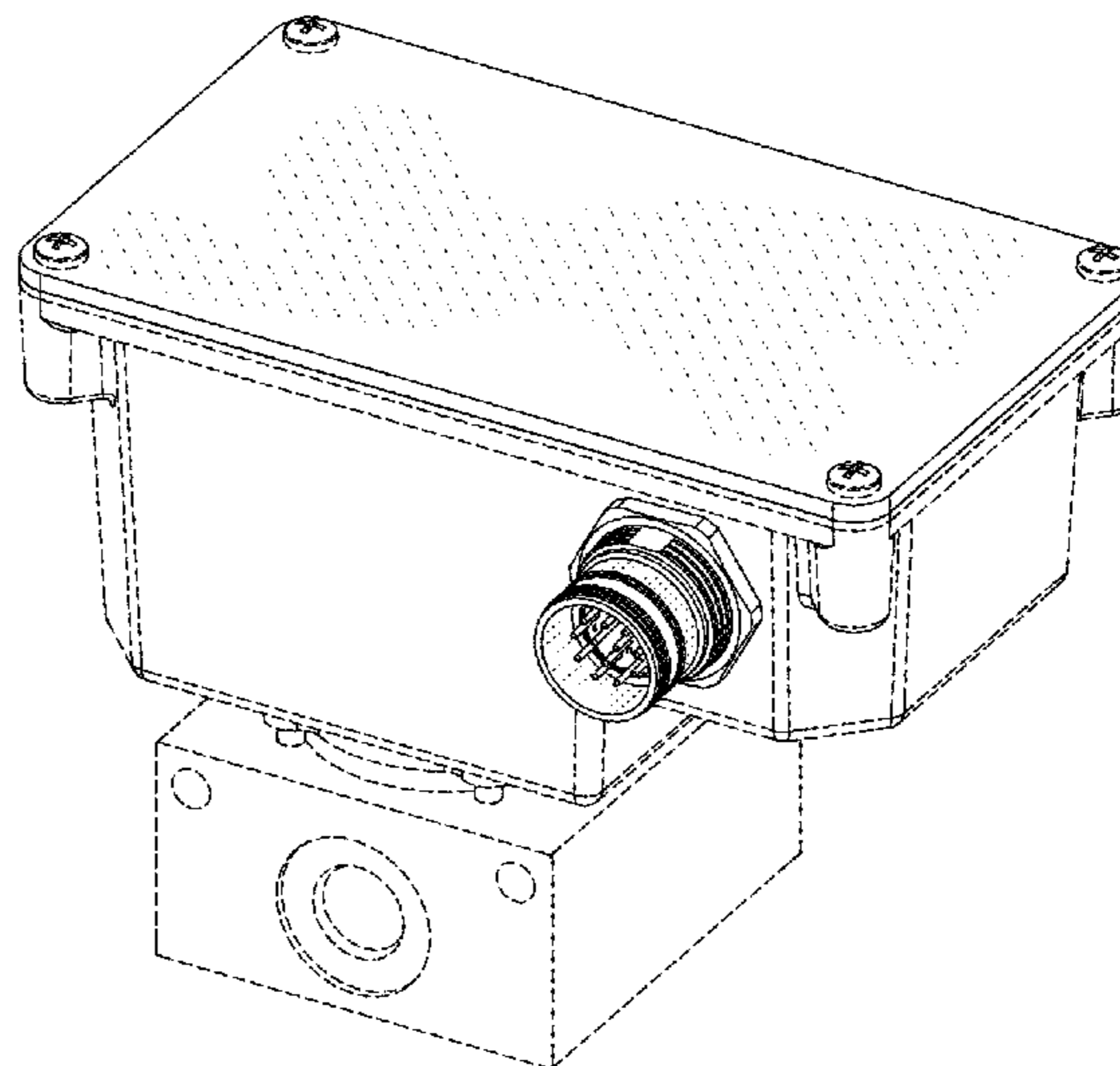
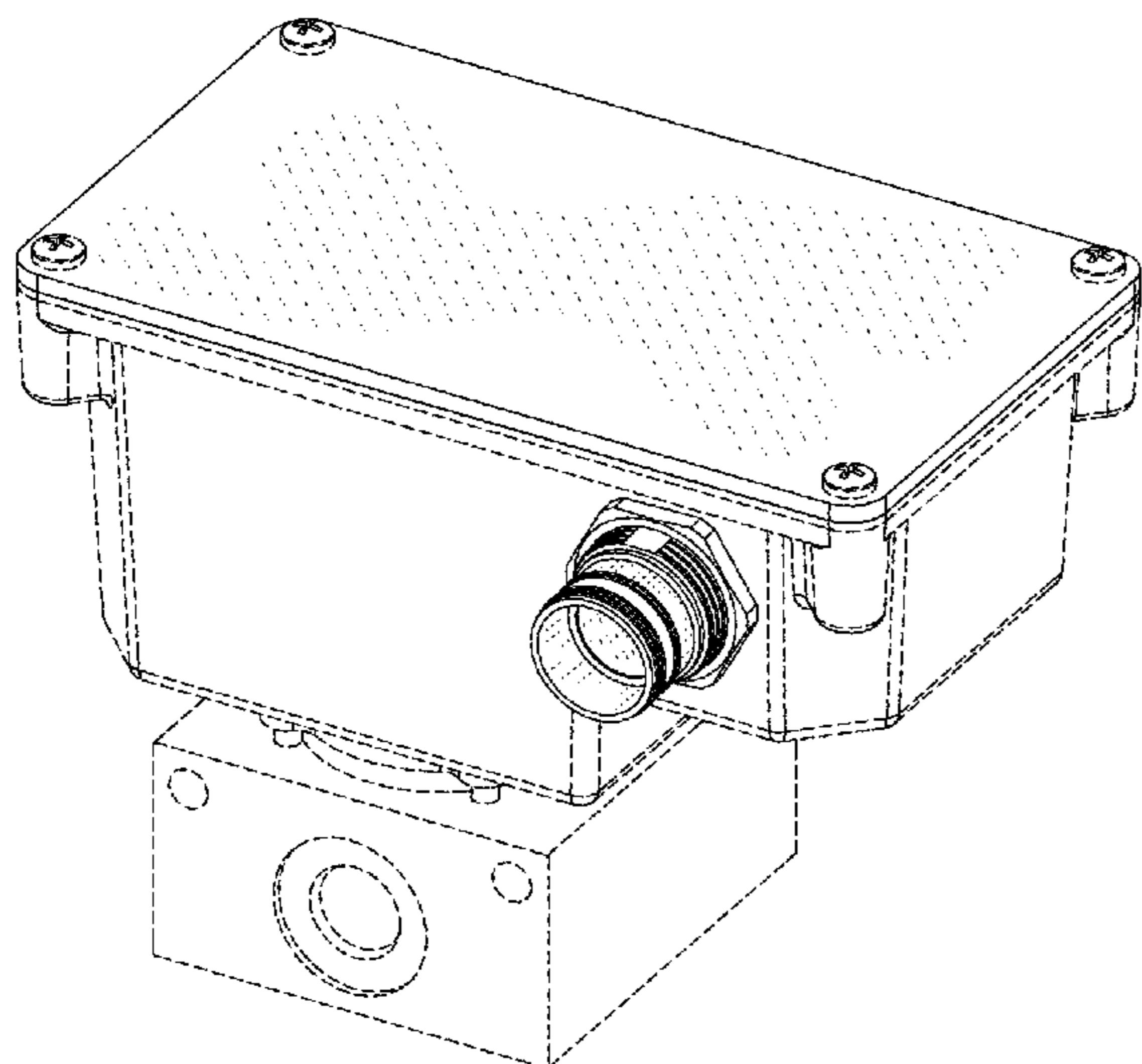
FIG. 11 is a back side view of the second embodiment;

FIG. 12 is a front view of the second embodiment;

FIG. 13 is a top view of the second embodiment; and,

FIG. 14 is a bottom view of the second embodiment.

1 Claim, 8 Drawing Sheets



(56)

References Cited

U.S. PATENT DOCUMENTS

D512,382 S * 12/2005 Mahoney D13/154
D520,952 S * 5/2006 Oraha D13/147
D537,793 S * 3/2007 Shapson D13/151
D544,836 S * 6/2007 Sichern et al. D13/123
D545,762 S * 7/2007 Sichern et al. D13/123
D546,291 S * 7/2007 Shapson et al. D13/151
D596,582 S * 7/2009 Stuckmann et al. D13/152
D597,027 S * 7/2009 Tanabe et al. D13/110

D650,336 S * 12/2011 Kalkunte D13/154
D671,487 S * 11/2012 Scheucher et al. D13/110
D673,914 S * 1/2013 Witkowski D13/151
D673,915 S * 1/2013 Regnier D13/151
D673,916 S * 1/2013 Regnier D13/151
D676,813 S * 2/2013 Wiest et al. D13/151
2003/0094299 A1 * 5/2003 Lee 174/59
2007/0215614 A1 * 9/2007 Matsui 220/3.2
2013/0031958 A1 * 2/2013 Scheucher 73/31.05

* cited by examiner

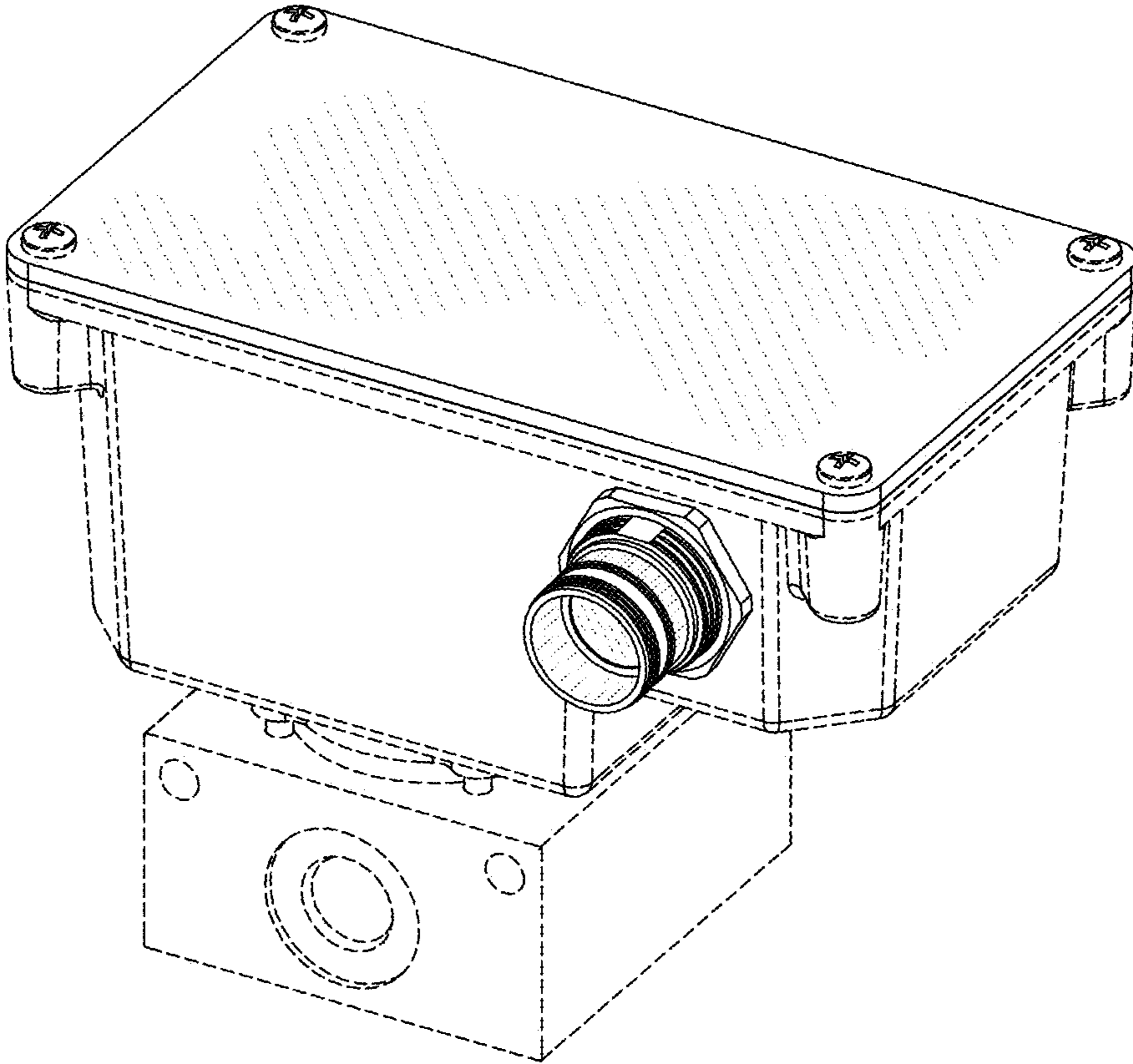


FIG. 1

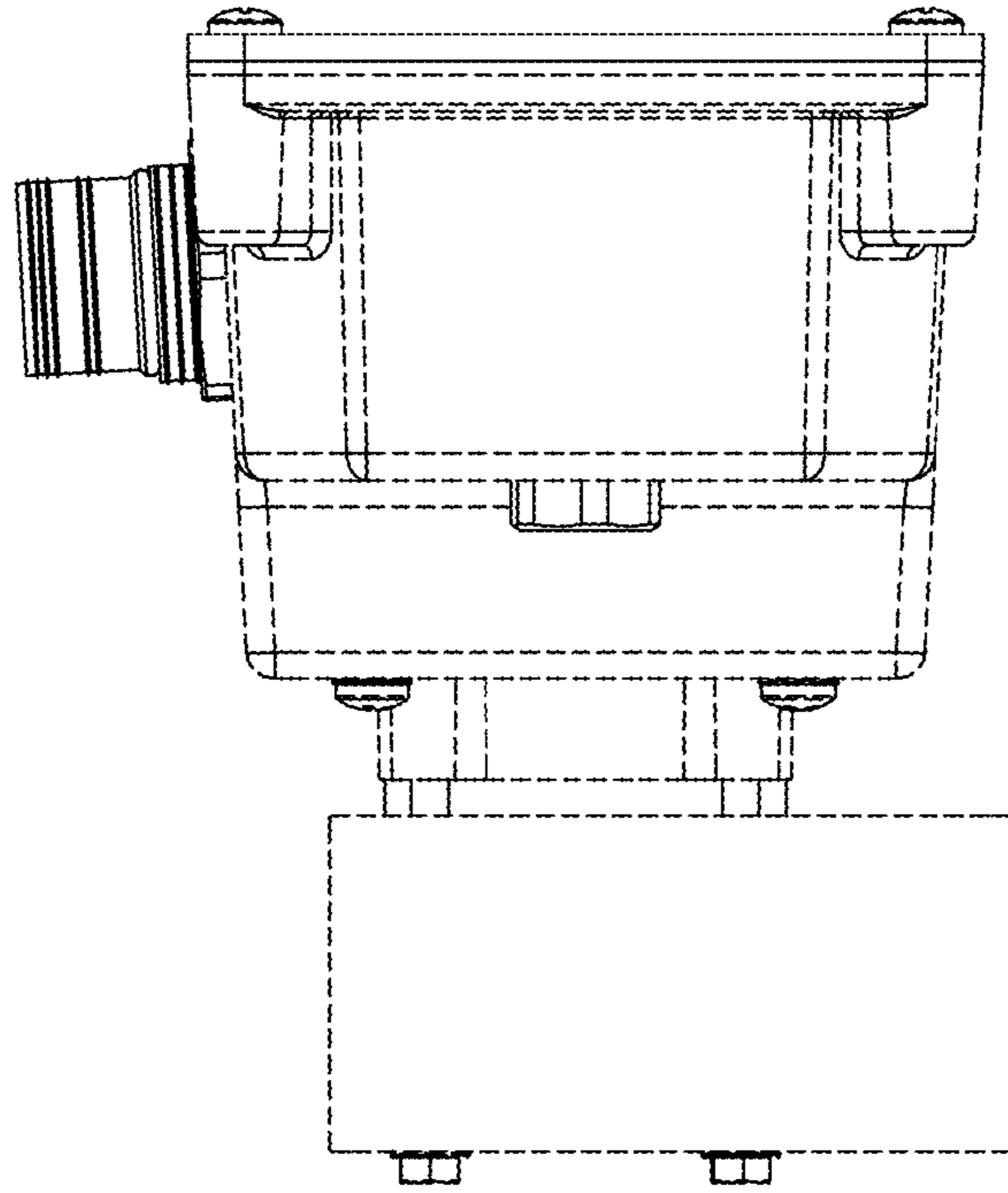


FIG. 2

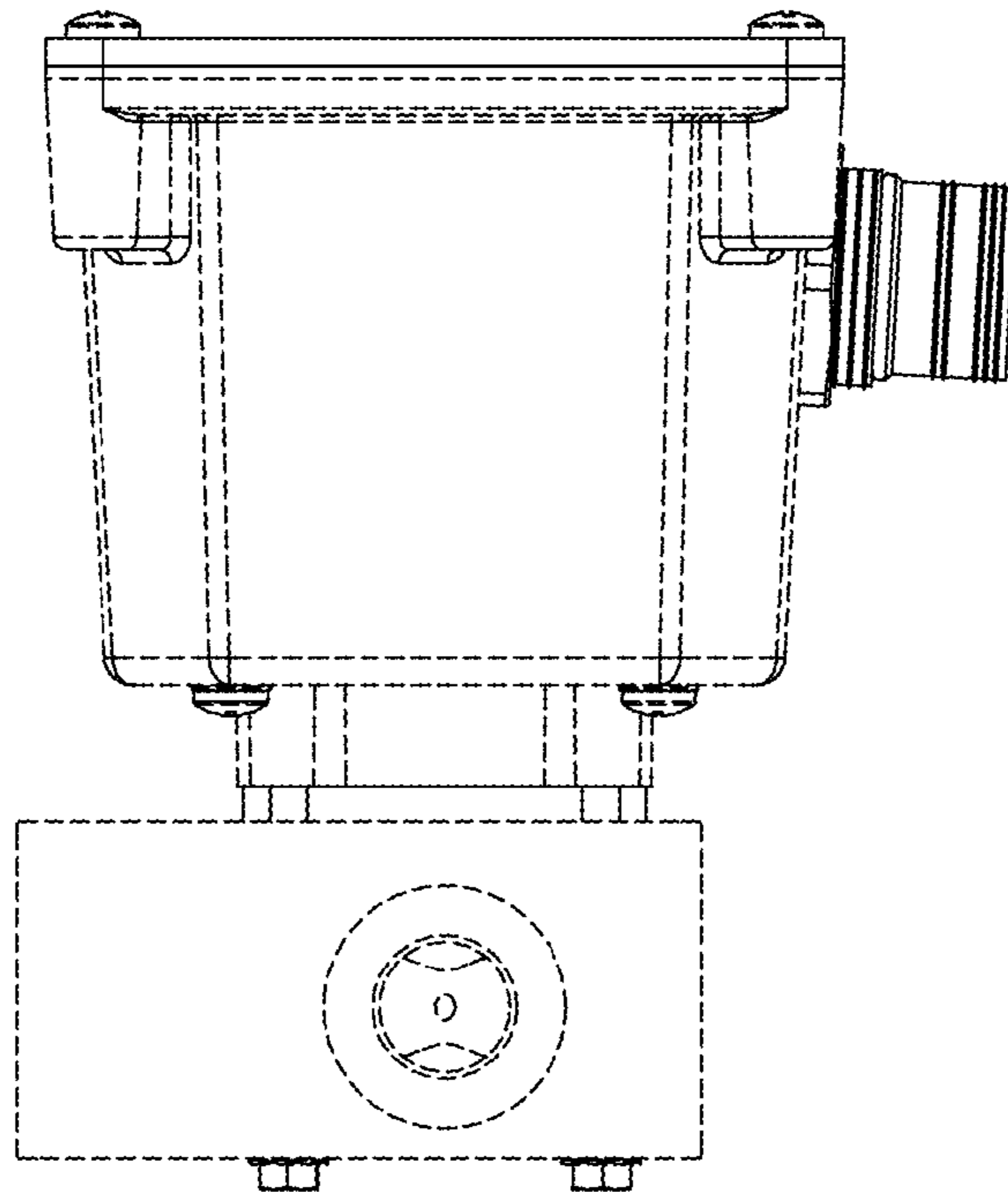


FIG. 3

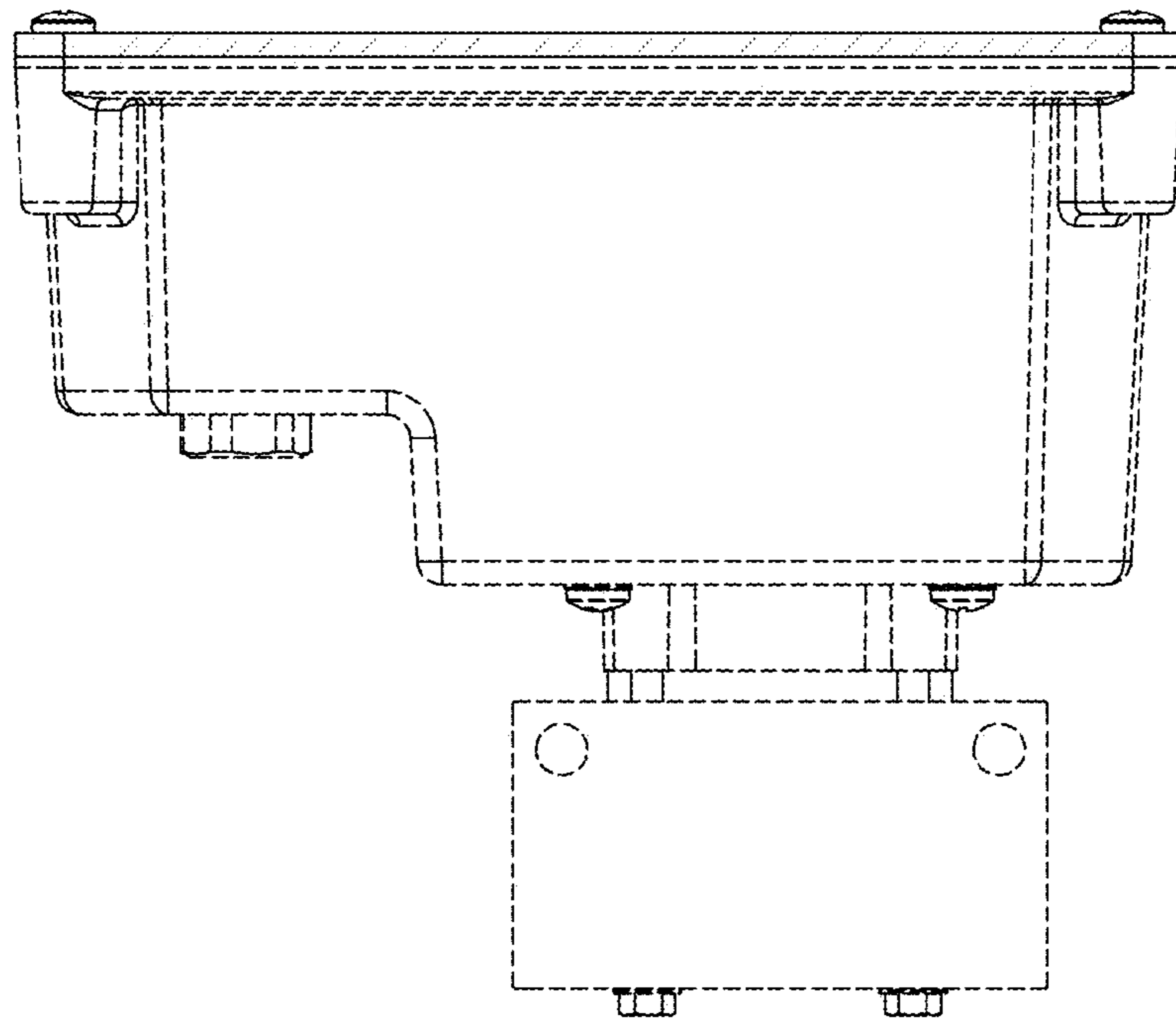


FIG. 4

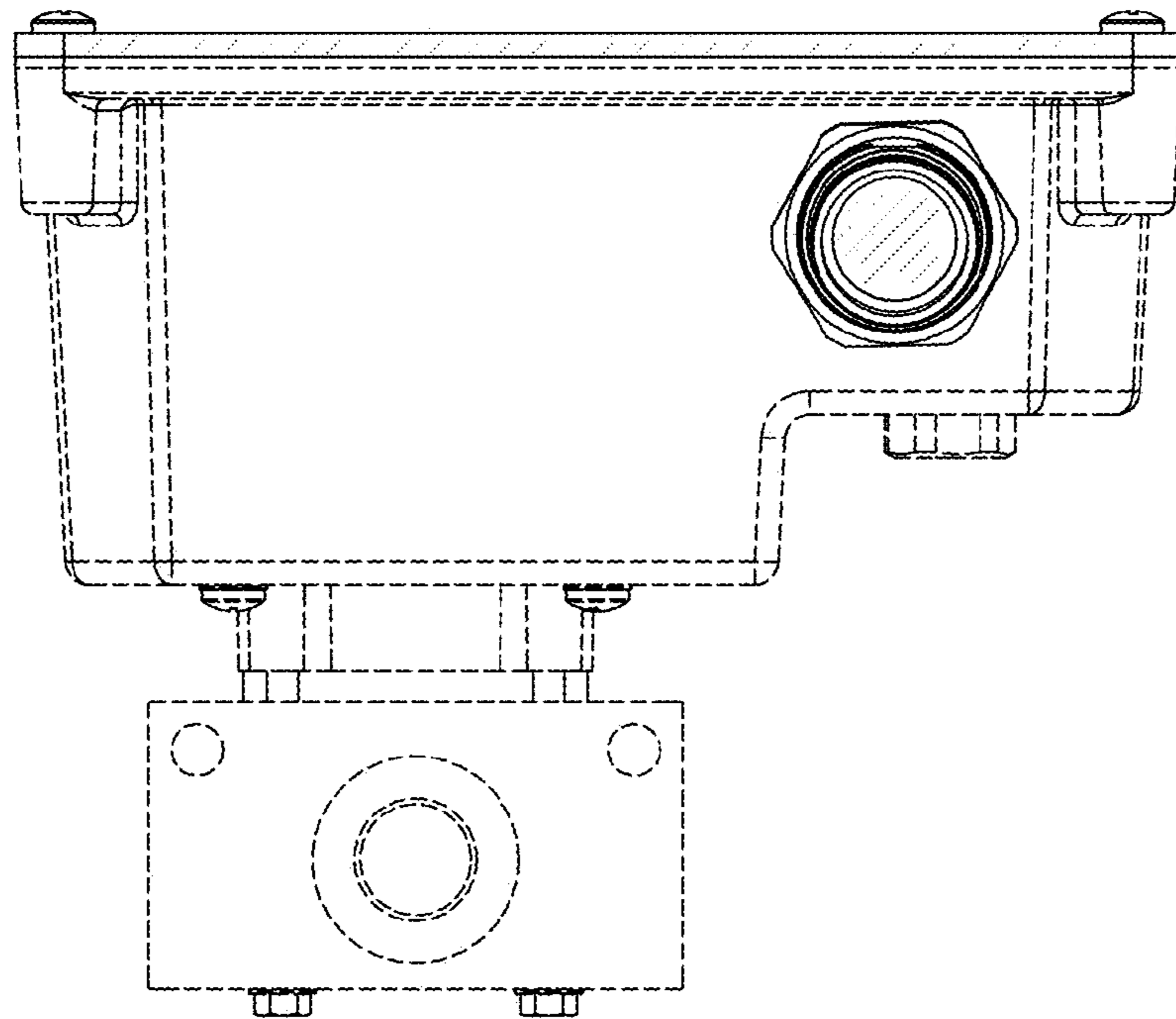


FIG. 5

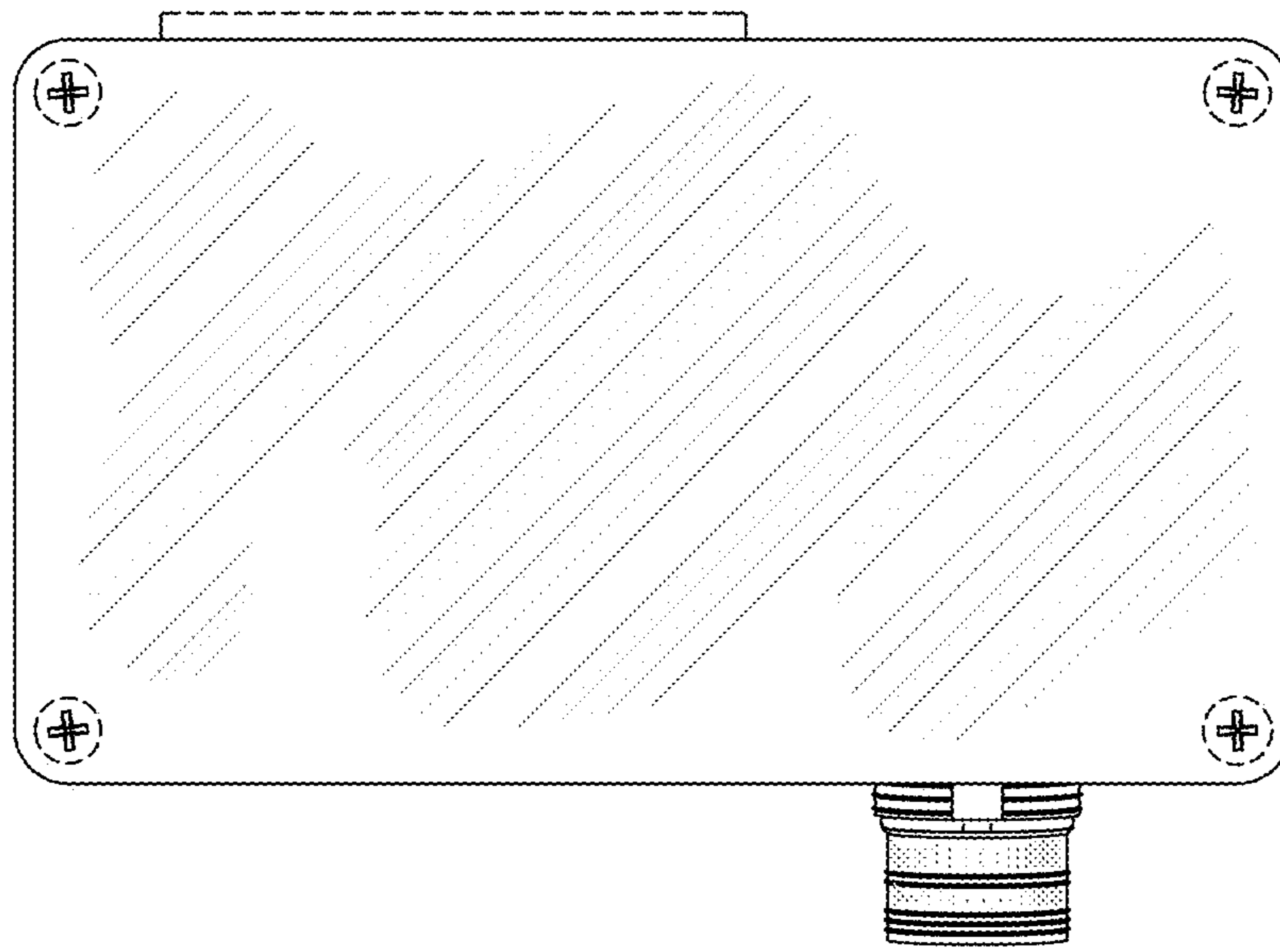


FIG. 6

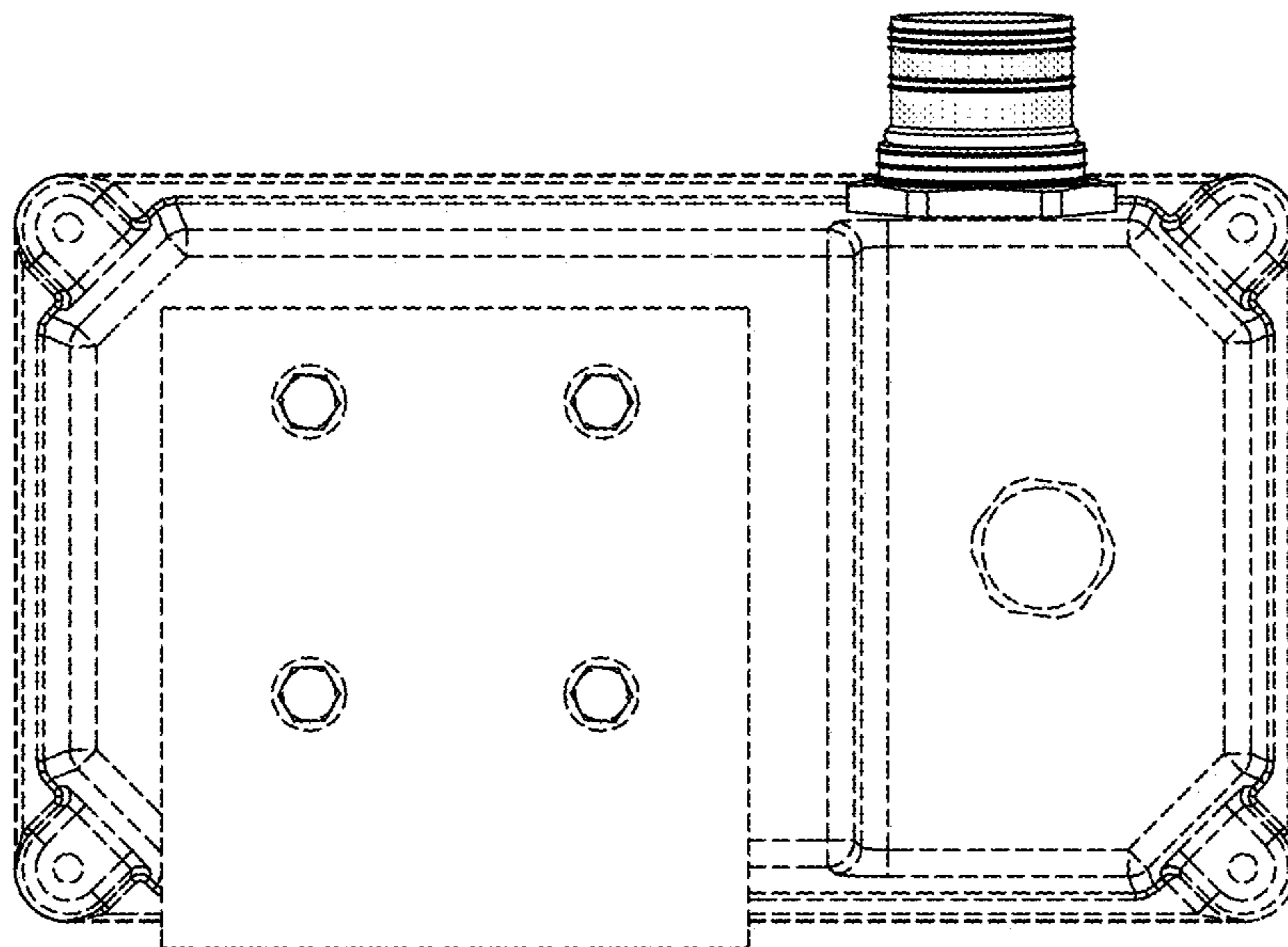


FIG. 7

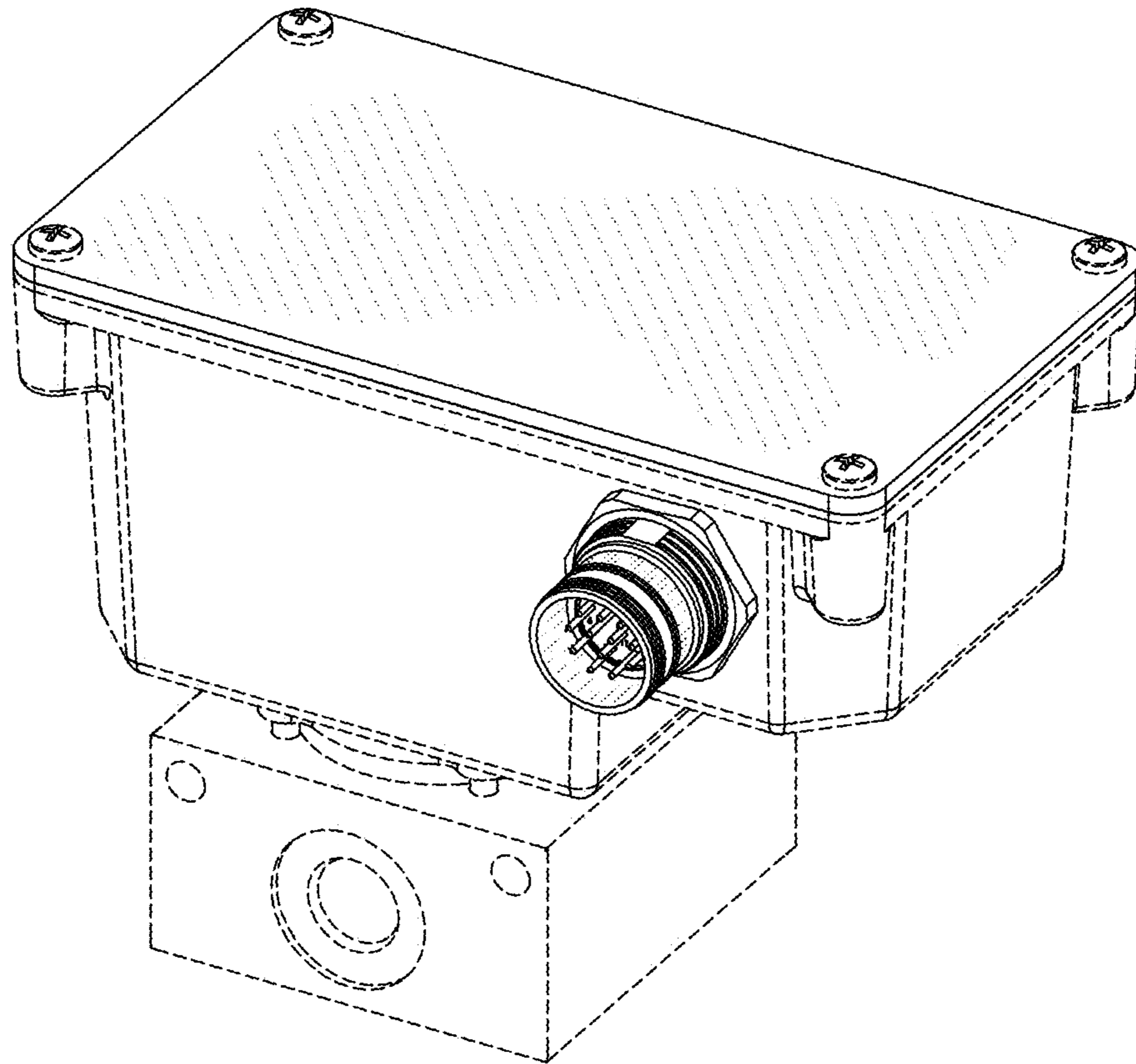


FIG. 8

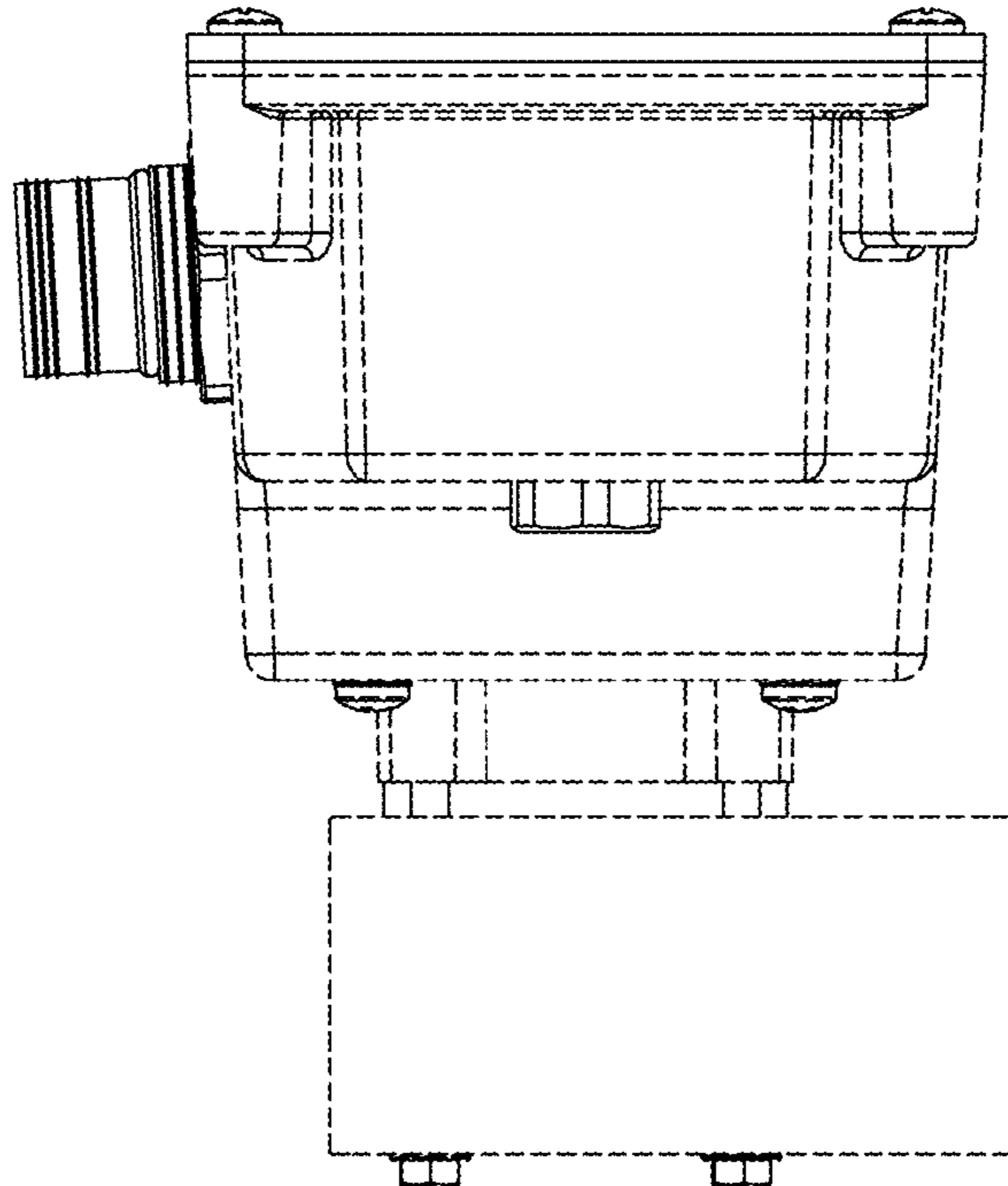


FIG. 9

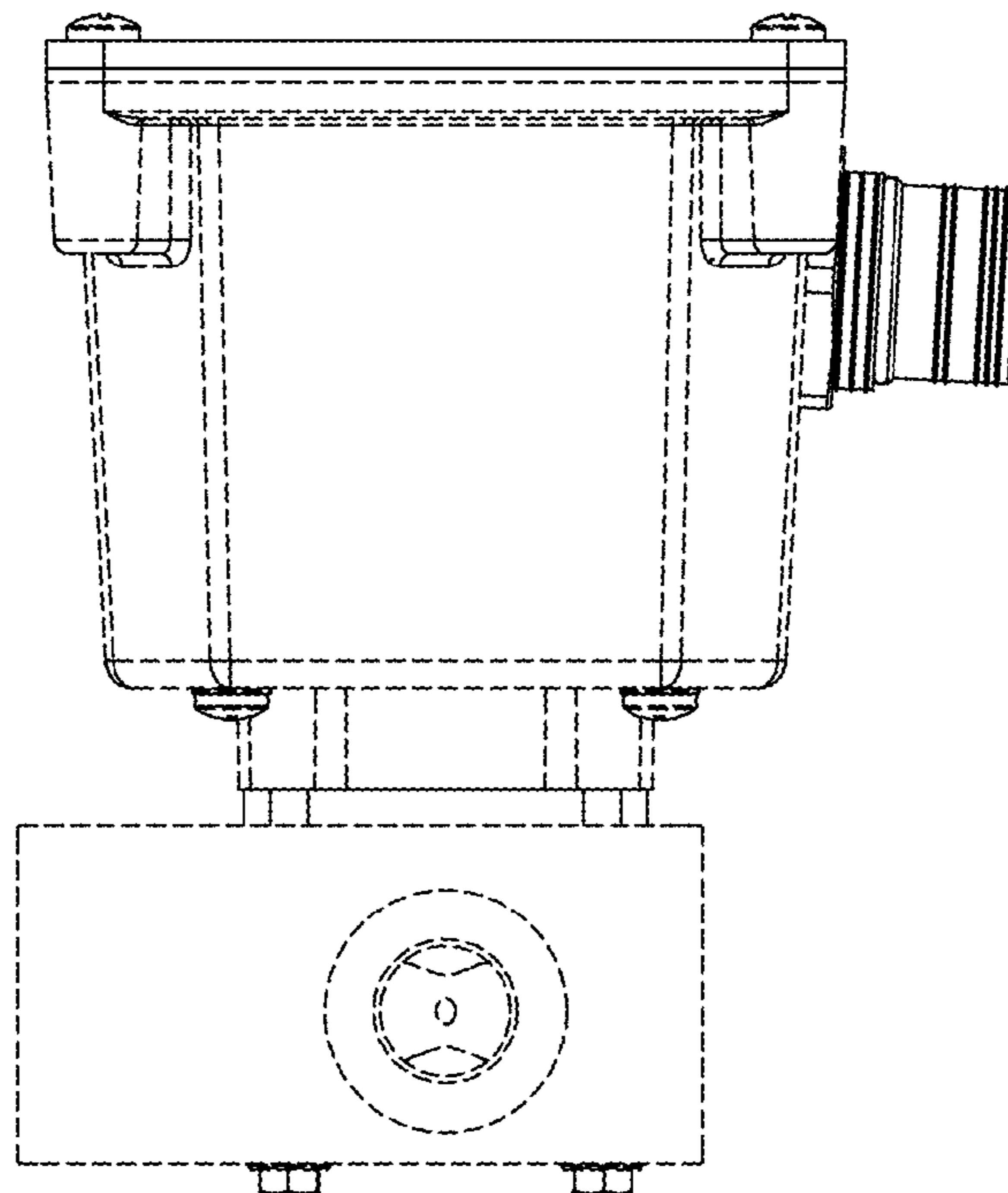


FIG. 10

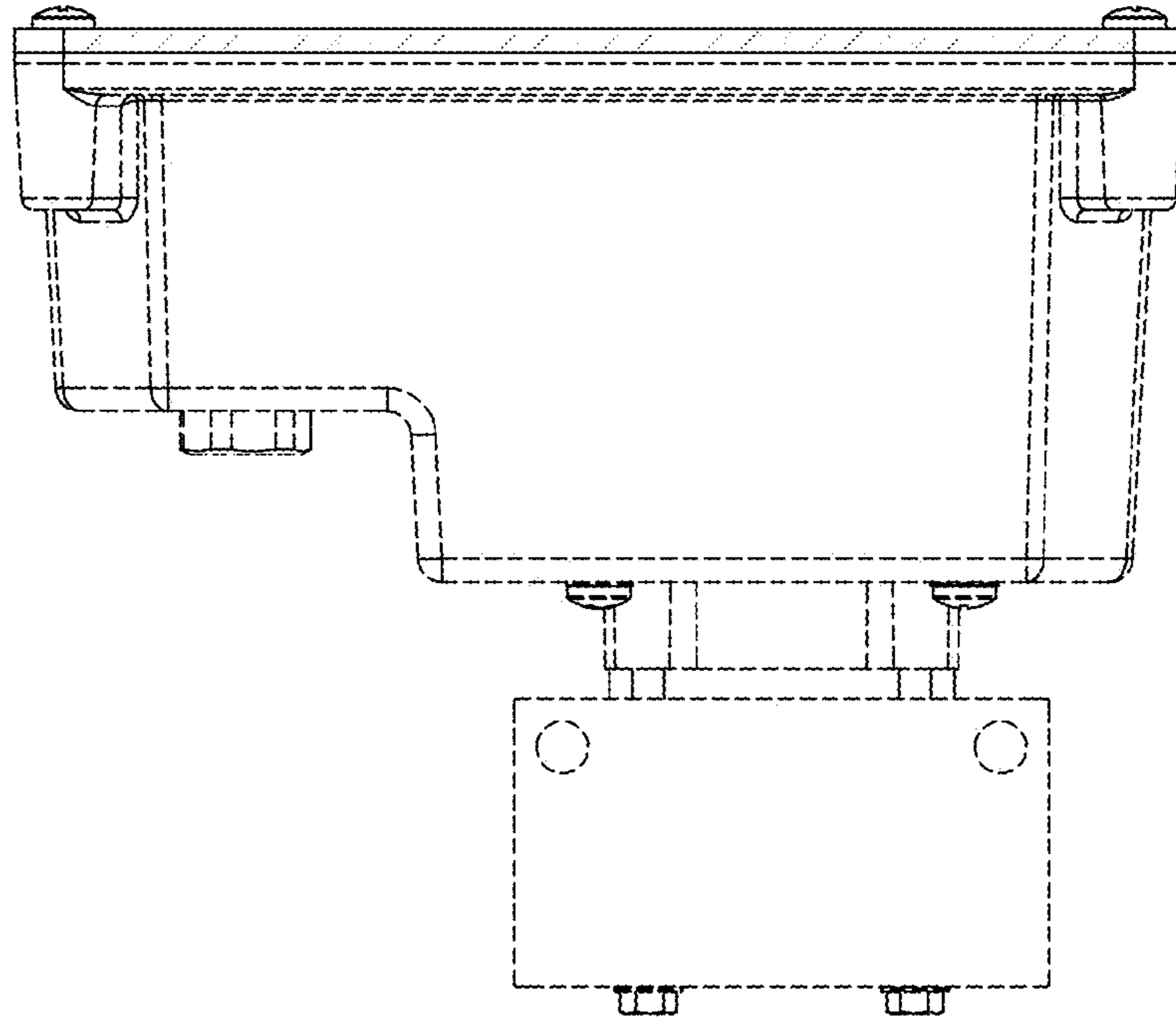


FIG. 11

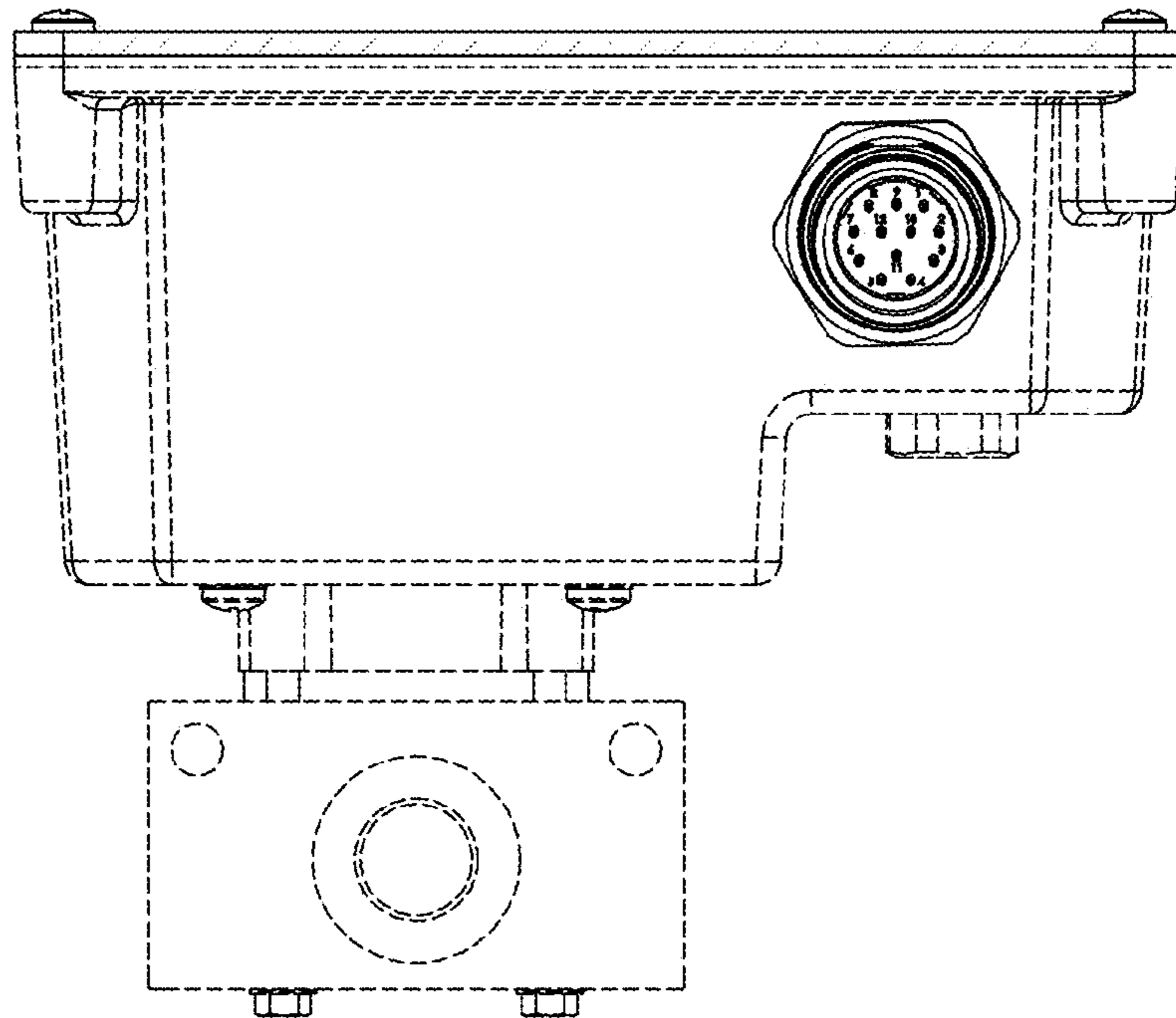


FIG. 12

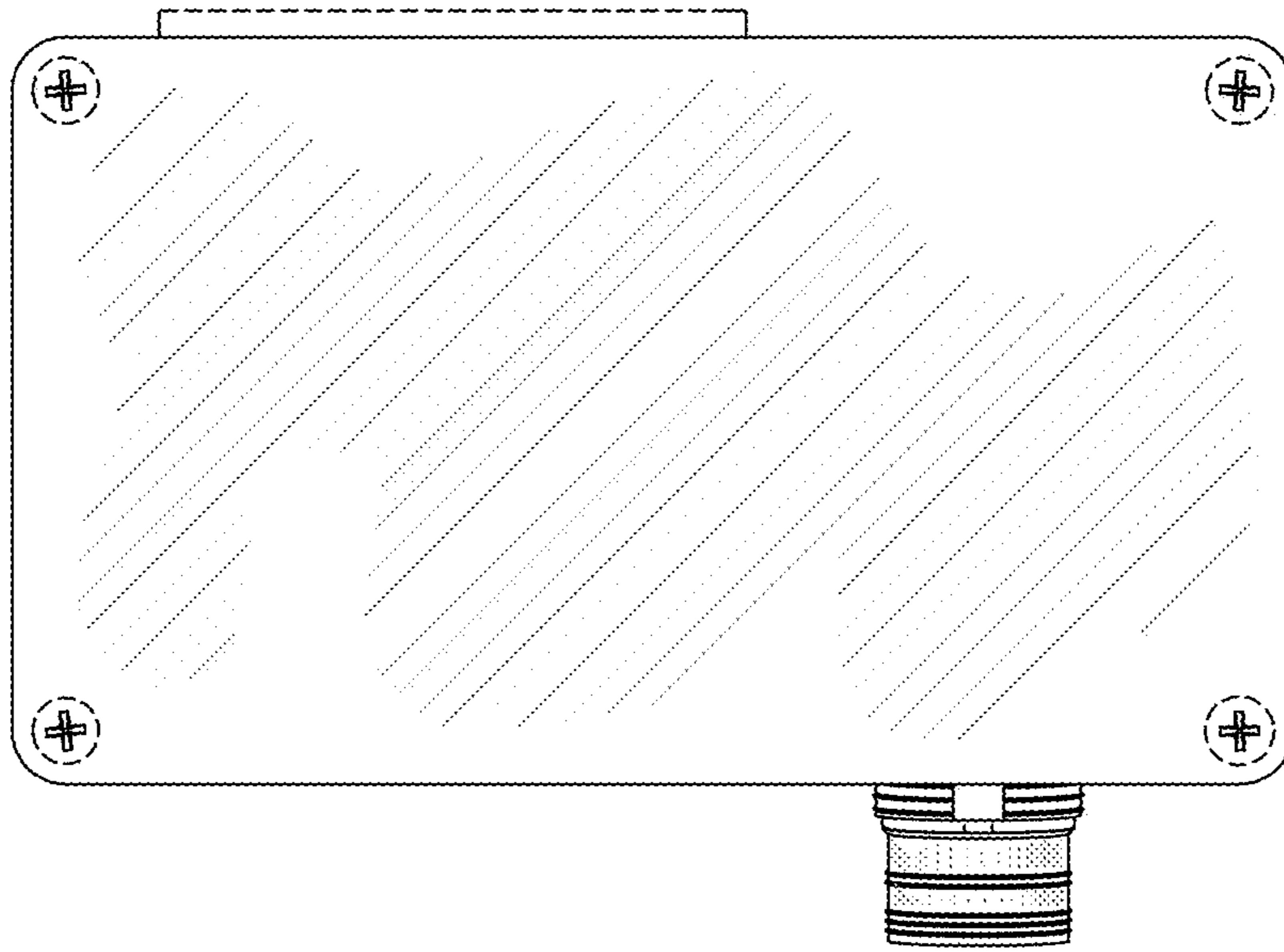


FIG. 13

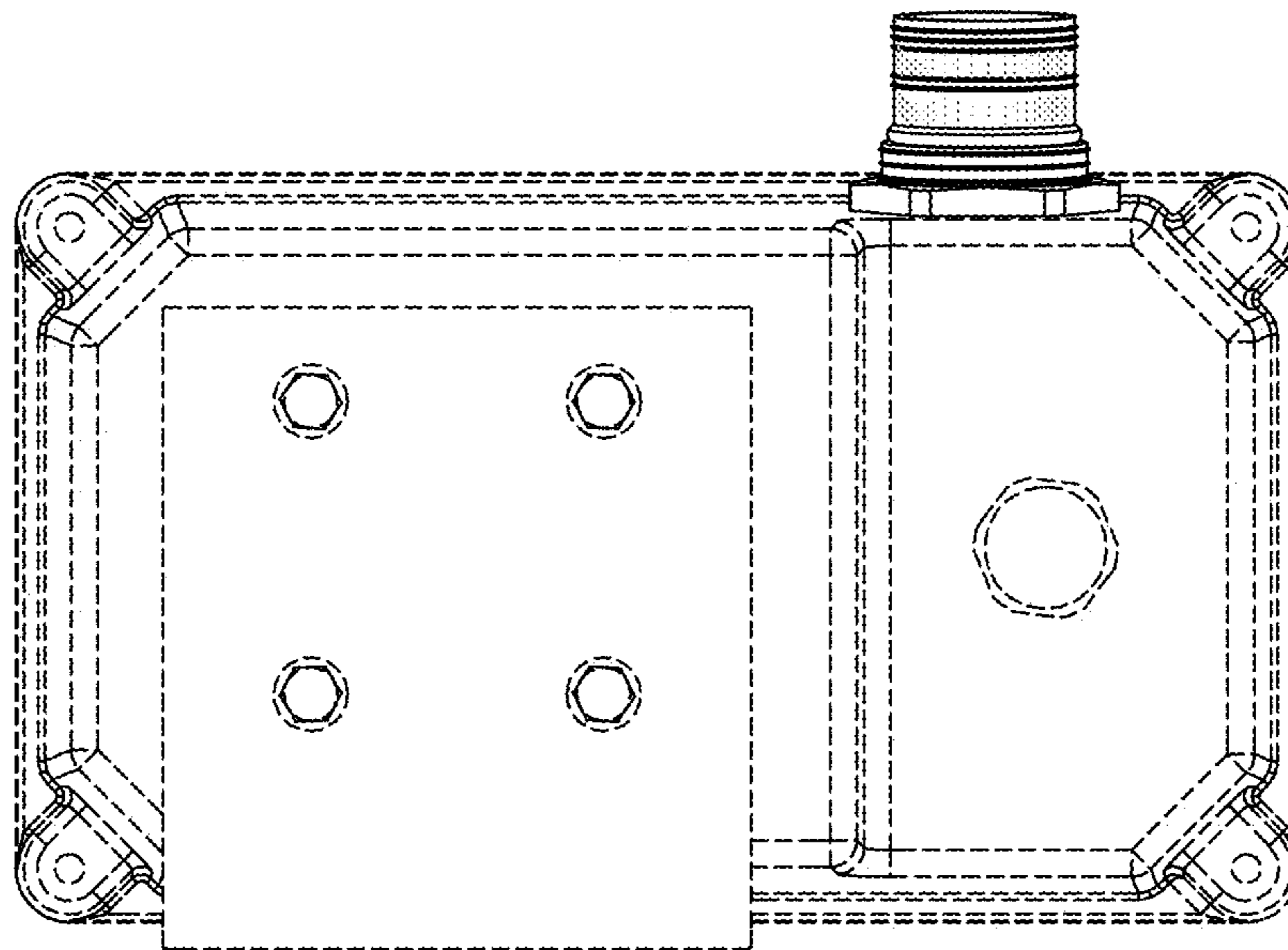


FIG. 14