



US00D688211S

(12) **United States Design Patent**
Xue et al.

(10) **Patent No.:** **US D688,211 S**
(45) **Date of Patent:** **** Aug. 20, 2013**

(54) **JUNCTION BOX**

(75) Inventors: **Zhang-Lan Xue**, Kunshan (CN);
Hong-Qiang Han, Kunshan (CN);
Zi-Qiang Zhu, Kunshan (CN)

(73) Assignee: **Hon Hai Precision Industry Co., Ltd.**,
New Taipei (TW)

(**) Term: **14 Years**

(21) Appl. No.: **29/381,662**

(22) Filed: **Dec. 21, 2010**

(30) **Foreign Application Priority Data**

Jul. 26, 2010 (CN) 2010 3 0248861

(51) **LOC (9) Cl.** **13-03**

(52) **U.S. Cl.**
USPC **D13/152**

(58) **Field of Classification Search**
USPC D13/132, 139.2, 139.3, 139.7, 147,
D13/151, 159, 160, 152; 385/134, 135, 136,
385/137, 138, 139; 350/96.2, 96.21, 96.22;
312/312, 330; 384/134
See application file for complete search history.

(56) **References Cited**

U.S. PATENT DOCUMENTS

2011/0244719 A1* 10/2011 Xue et al. 439/575
2012/0048614 A1* 3/2012 Xue et al. 174/520
2012/0052719 A1* 3/2012 Xue et al. 439/485
2012/0205149 A1* 8/2012 Lenel 174/547

FOREIGN PATENT DOCUMENTS

CN 201667515 U * 12/2010
CN 201699370 U * 1/2011
CN 201699619 U * 1/2011
CN 201805378 U * 4/2011
CN 102420543 * 4/2012

* cited by examiner

Primary Examiner — Robert M Spear

Assistant Examiner — Rhea Shields

(74) *Attorney, Agent, or Firm* — Wei Te Chung; Ming Chieh Chang

(57) **CLAIM**

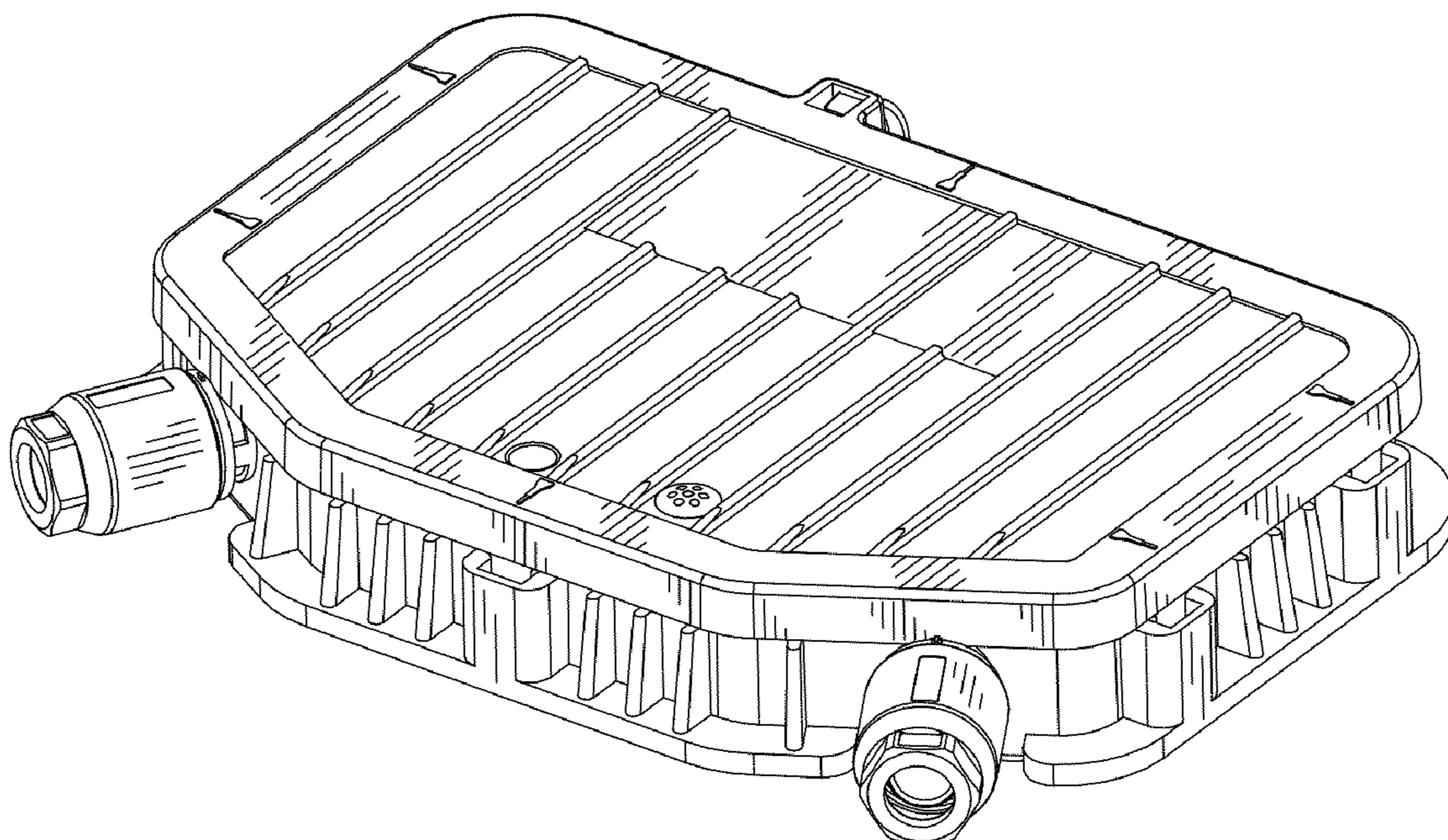
The ornamental design for a junction box, as shown and described.

DESCRIPTION

FIG. 1 is a front, top and right side perspective view of a junction box showing our new design; FIG. 2 is a front elevational view thereof; FIG. 3 is a rear elevational view thereof; FIG. 4 is a left side elevational view thereof; FIG. 5 is a right side elevational view thereof; FIG. 6 is a top plan view thereof; and, FIG. 7 is a bottom plan view thereof.

The broken lines in the drawings represent unclaimed environmental subject matter.

1 Claim, 7 Drawing Sheets



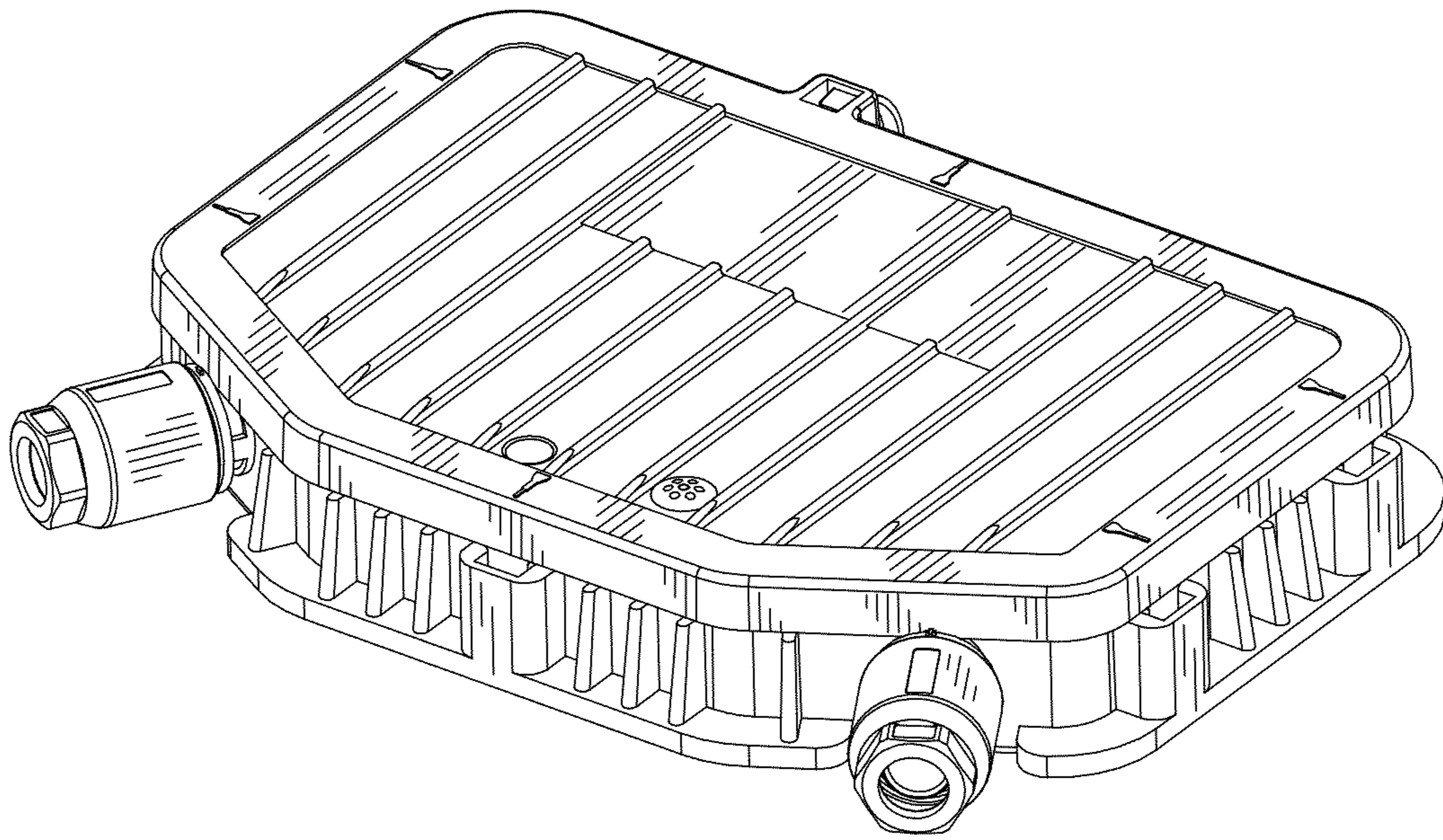


FIG. 1

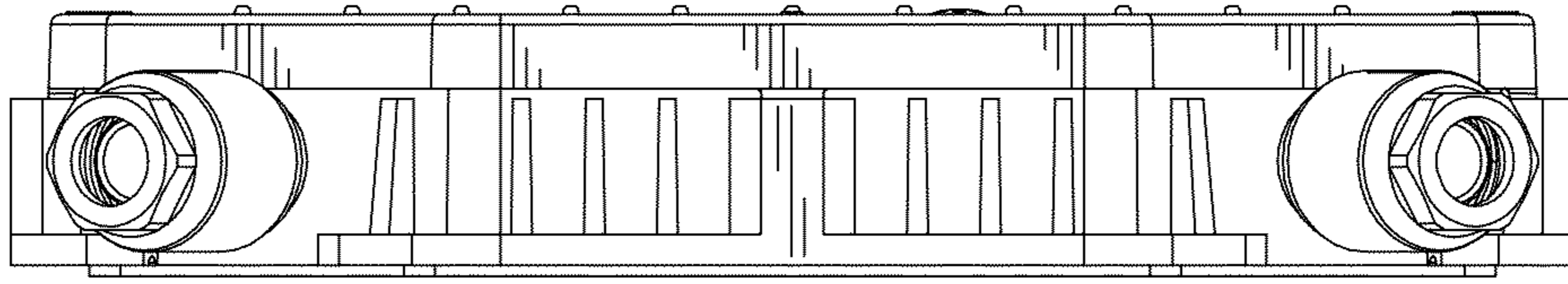


FIG. 2

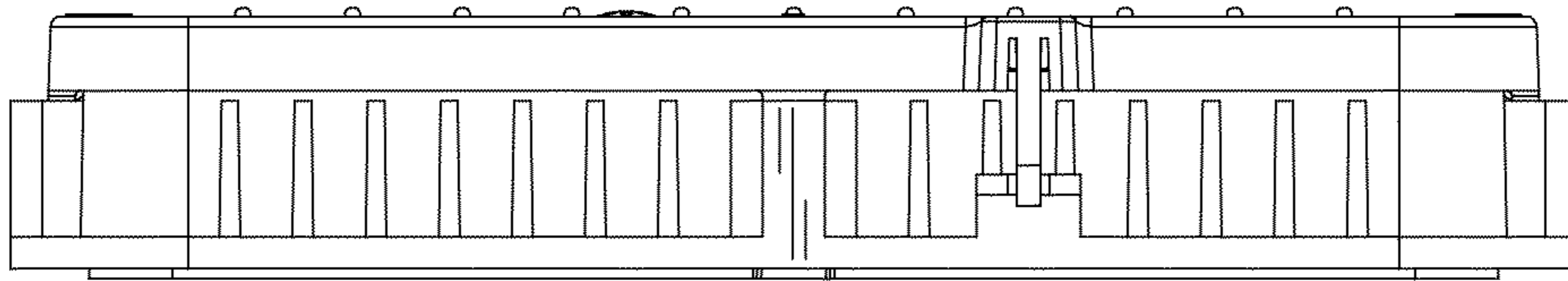


FIG. 3

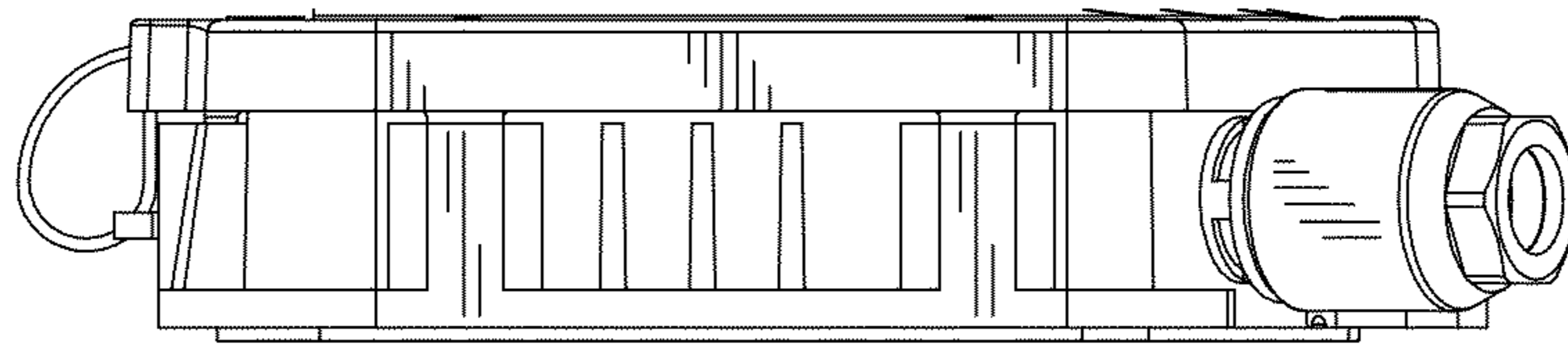


FIG. 4

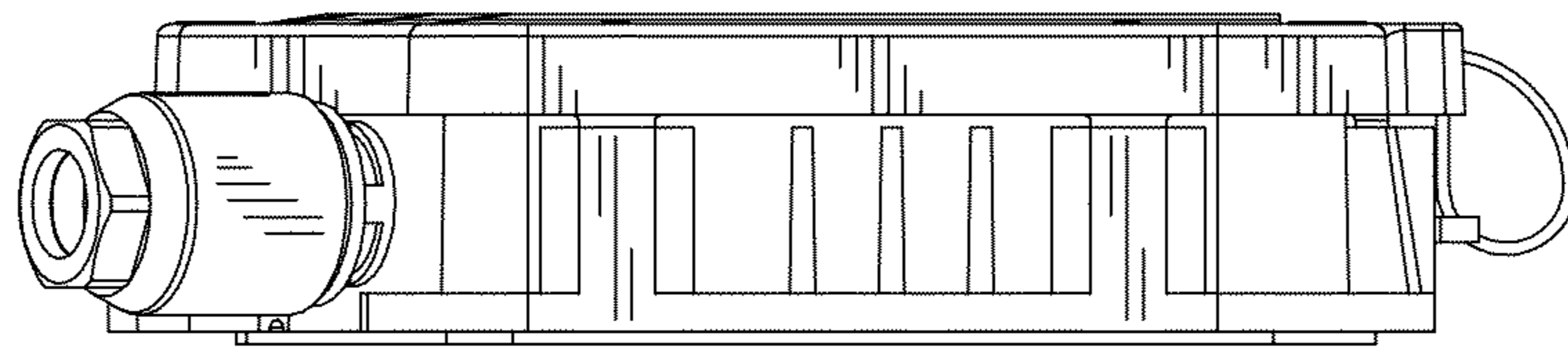


FIG. 5

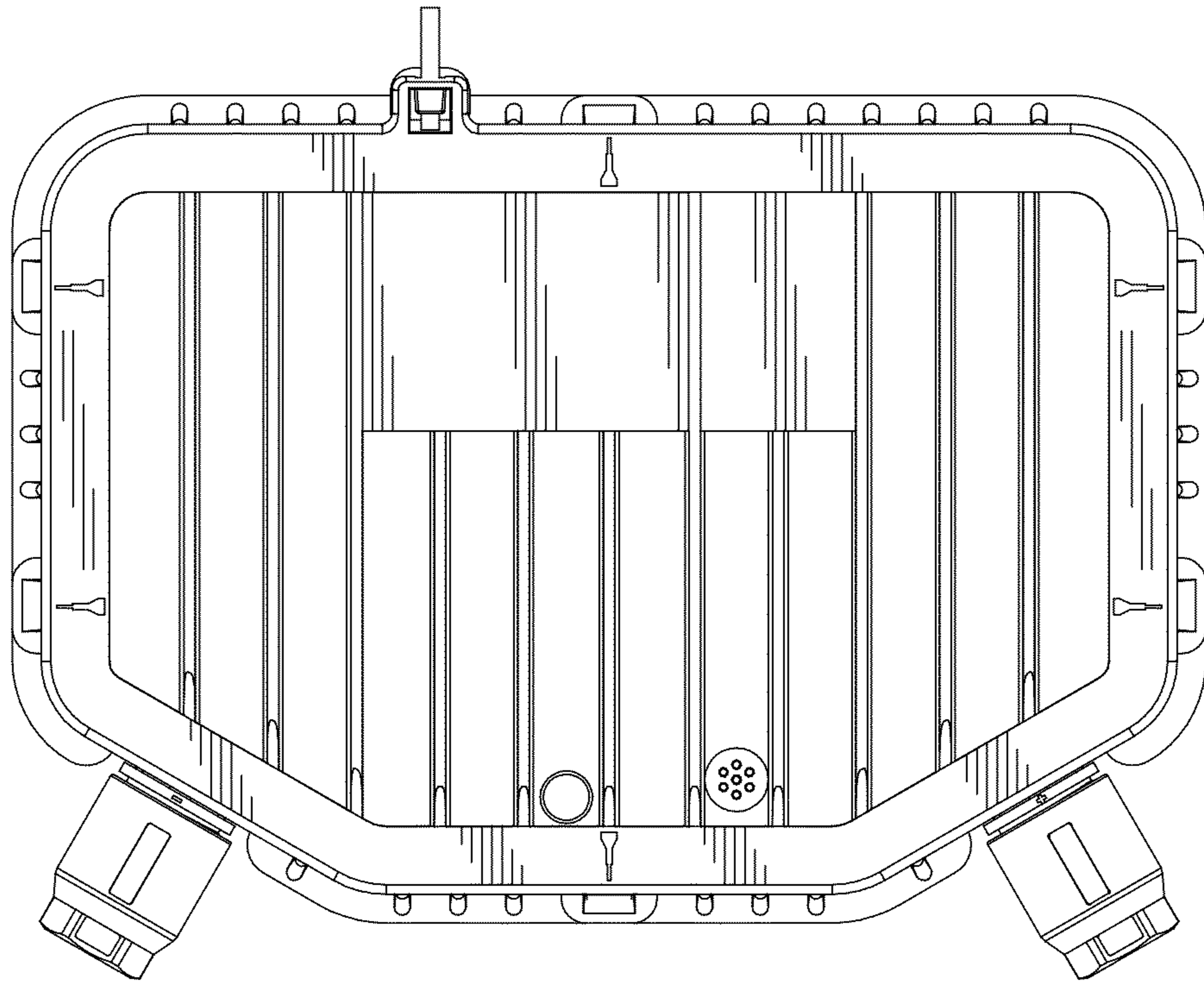


FIG. 6

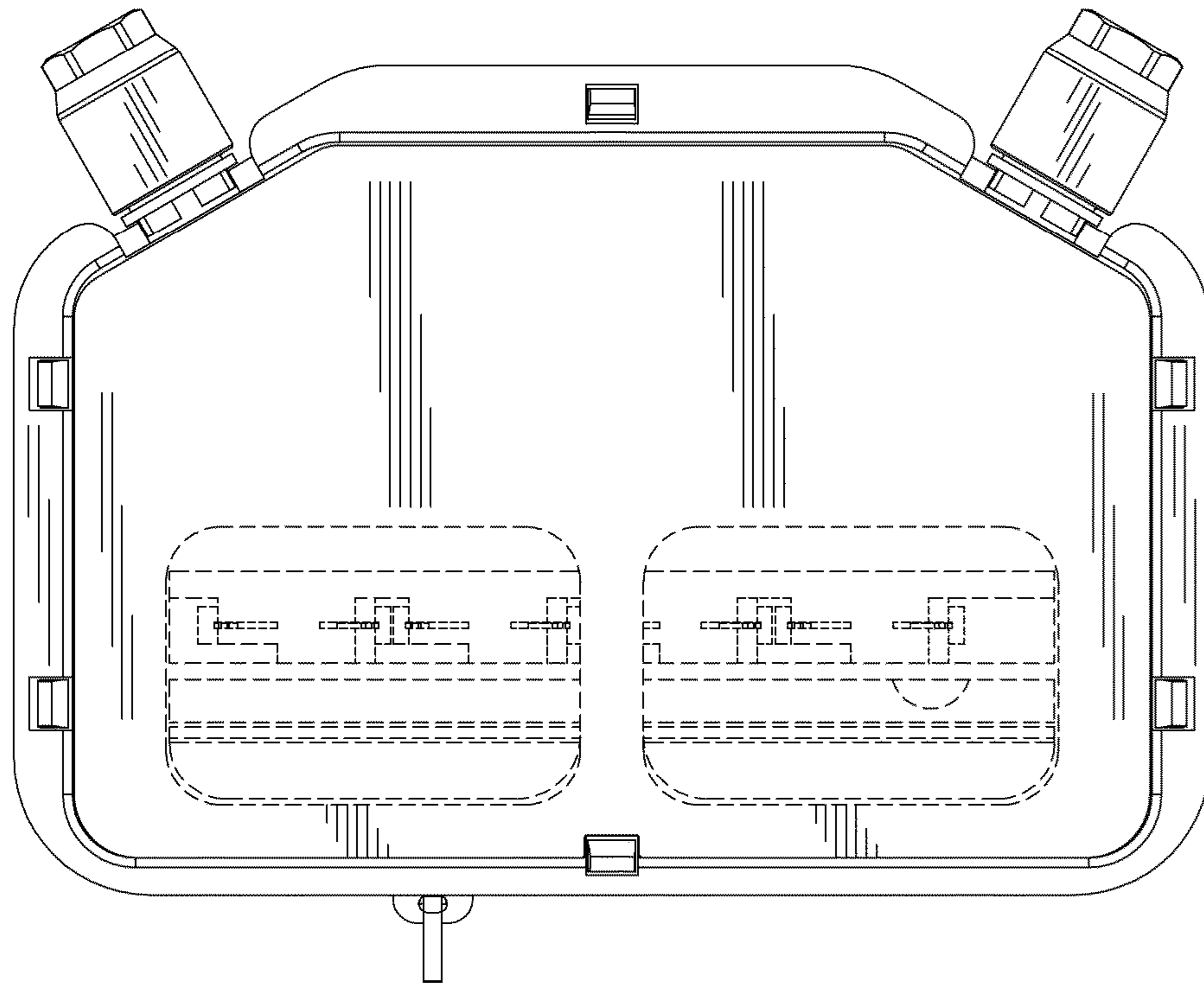


FIG. 7