



US00D688210S

(12) **United States Design Patent**
Mashiyama et al.

(10) **Patent No.:** **US D688,210 S**

(45) **Date of Patent:** **** Aug. 20, 2013**

(54) **ELECTRICAL CONNECTOR**

(71) Applicant: **DDK Ltd.**, Tokyo (JP)

(72) Inventors: **Jinichi Mashiyama**, Koutou-ku (JP);
Toshihiko Hirai, Koutou-ku (JP);
Yosinori Iwashita, Koutou-ku (JP);
Hiromichi Kato, Koutou-ku (JP);
Hidenori Ikushima, Koutou-ku (JP);
Kenji Nakagawa, Koutou-ku (JP);
Yasushi Kawabara, Koutou-ku (JP);
Kazuhiro Sato, Koutou-ku (JP); **Taishi Otokata**, Koutou-ku (JP)

(73) Assignee: **DDK Ltd.**, Tokyo (JP)

(**) Term: **14 Years**

(21) Appl. No.: **29/432,648**

(22) Filed: **Sep. 18, 2012**

(51) **LOC (9) Cl.** **13-03**

(52) **U.S. Cl.**
USPC **D13/147**

(58) **Field of Classification Search**
USPC D13/120, 133, 147, 154, 184, 199;
439/78-79, 83, 108, 181, 607.01, 607.04,
439/607.05, 607.17, 607.25, 607.34, 607.41,
439/607.53, 630, 660

See application file for complete search history.

(56) **References Cited**

U.S. PATENT DOCUMENTS

D528,987	S	*	9/2006	Peng	D13/147
D539,225	S	*	3/2007	Kishi et al.	D13/147
D562,770	S	*	2/2008	Obikane	D13/147
D588,542	S	*	3/2009	Lee et al.	D13/147
D590,345	S	*	4/2009	Chen et al.	D13/147
D603,798	S	*	11/2009	Obikane et al.	D13/147
D603,801	S	*	11/2009	Obikane et al.	D13/147
D642,535	S	*	8/2011	Sato et al.	D13/147
D642,986	S	*	8/2011	Nishimura et al.	D13/147

* cited by examiner

Primary Examiner — Daniel Bui
(74) *Attorney, Agent, or Firm* — Sughrue Mion, PLLC

(57) **CLAIM**

The ornamental design for an electrical connector, as shown and described.

DESCRIPTION

FIG. 1 is a front elevation view of an electrical connector showing our new design;
FIG. 2 is a rear elevation view thereof;
FIG. 3 is a left side elevation view thereof;
FIG. 4 is a right side elevation view thereof;
FIG. 5 is a front, bottom and right side perspective view thereof;
FIG. 6 is a top plan view thereof; and,
FIG. 7 is a bottom plan view thereof.
The broken line in the figure drawings is included for the purpose of illustrating environment and forms no part of the claimed design. The dash-dot line represents the boundary of the claimed design.

1 Claim, 4 Drawing Sheets

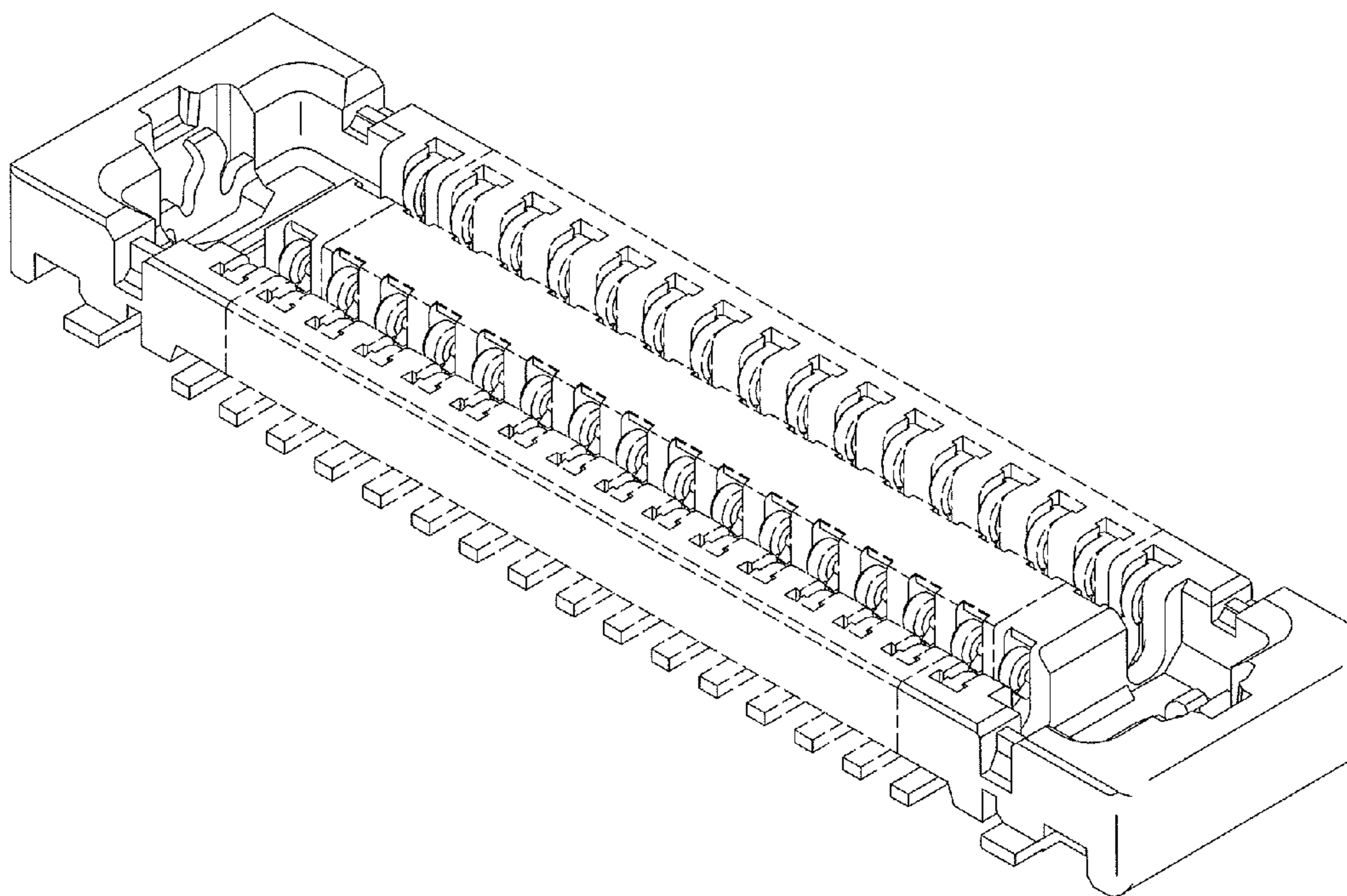


Fig. 1

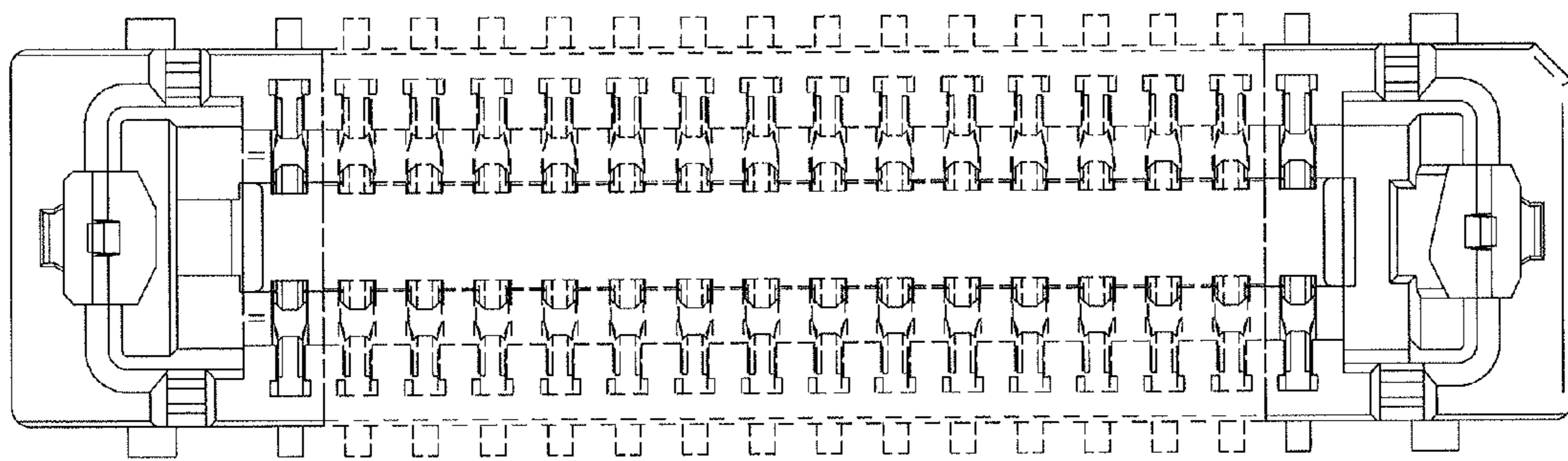


Fig. 2

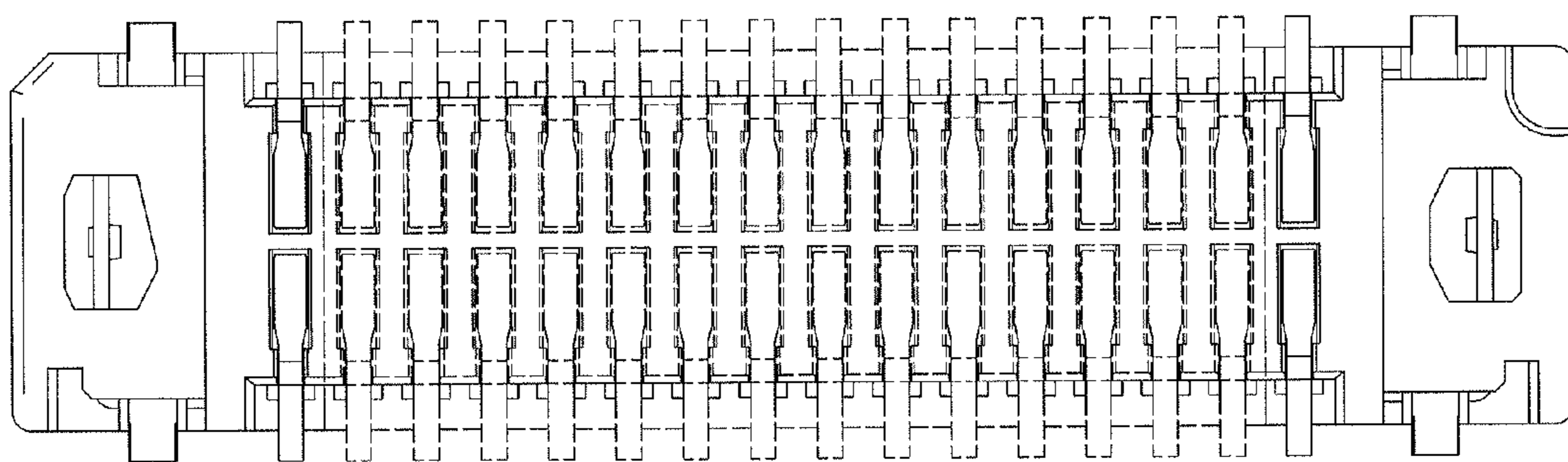


Fig. 3

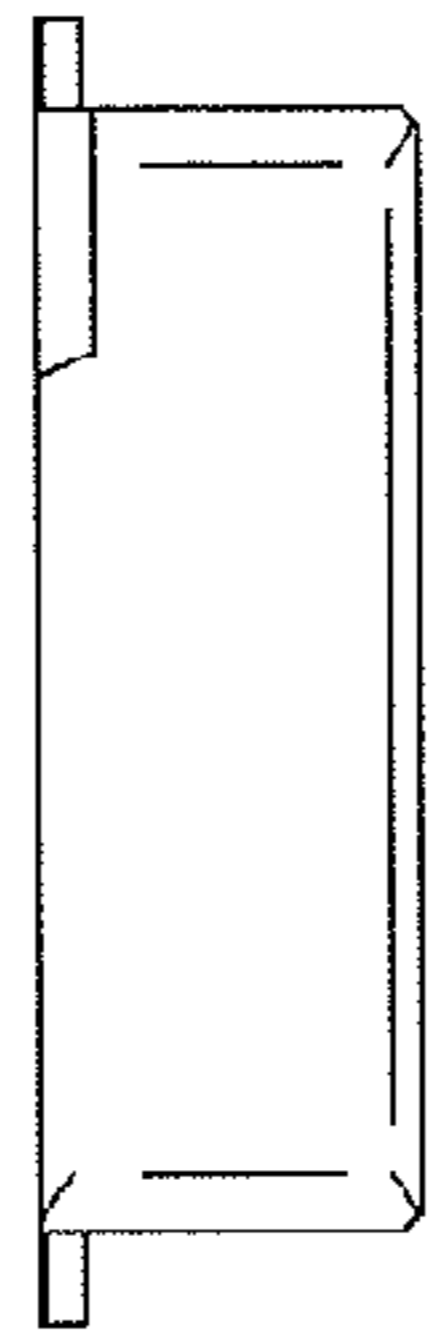


Fig. 4

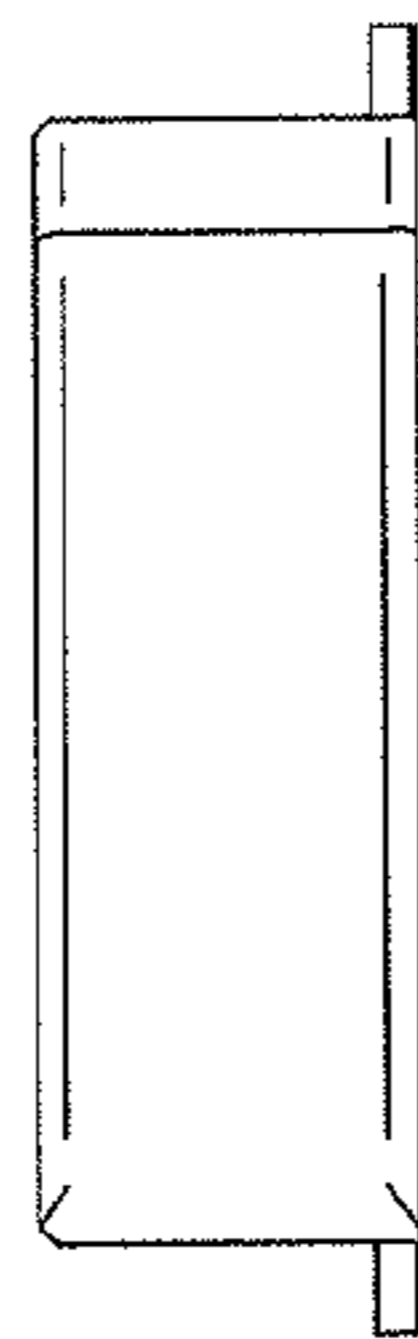


Fig. 5

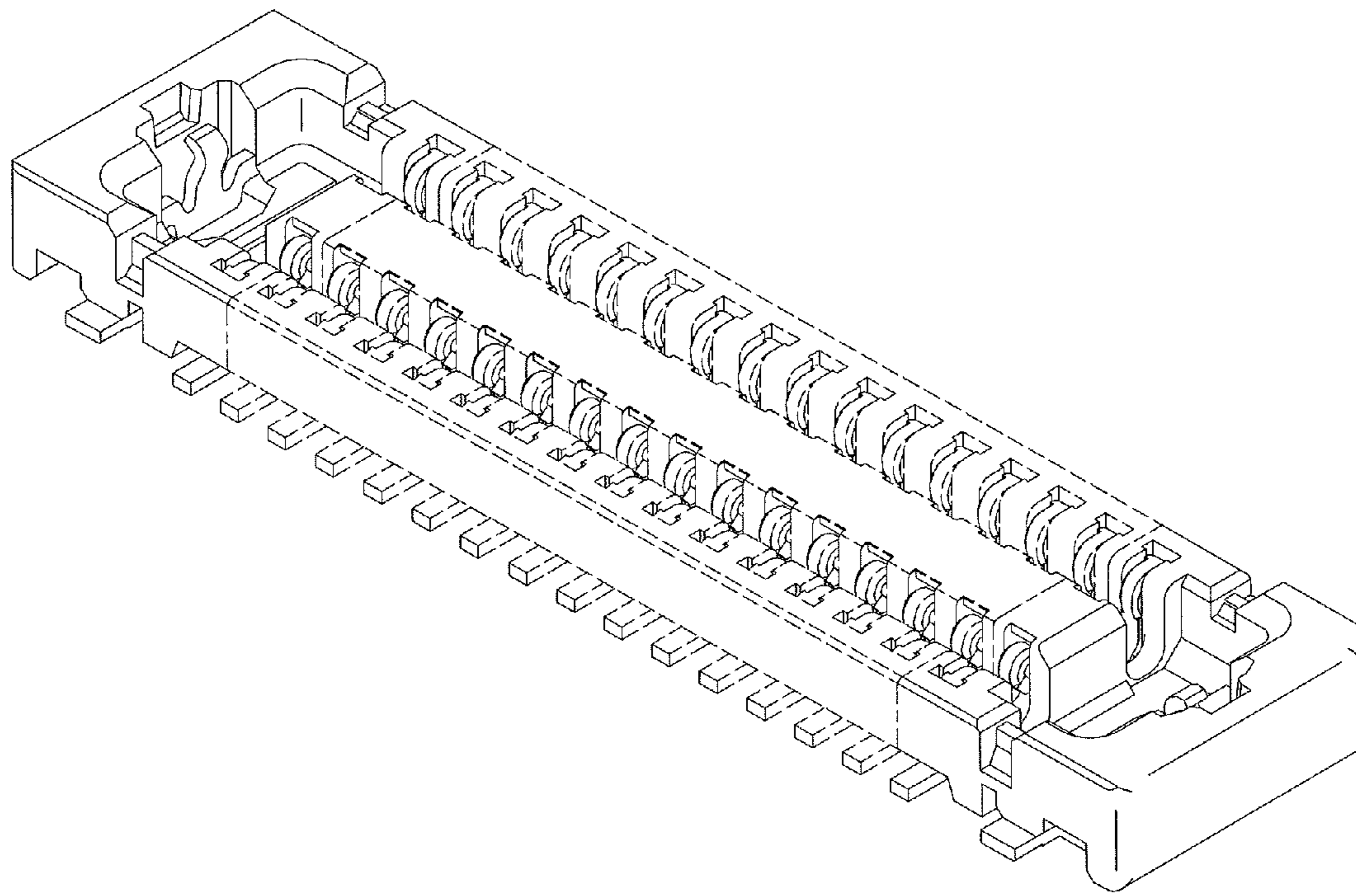


Fig. 6

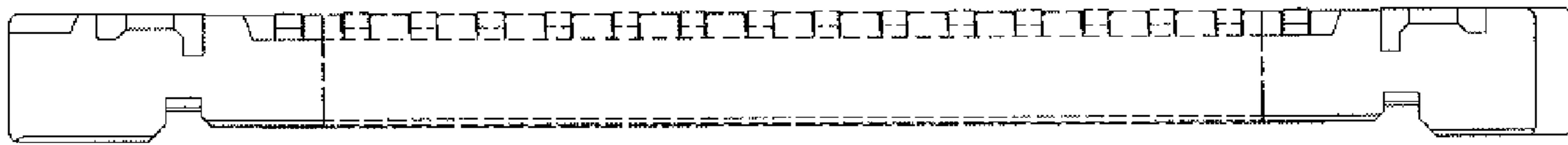


Fig. 7

