



US00D688209S

(12) **United States Design Patent**  
**Nakajima et al.**

(10) **Patent No.:** **US D688,209 S**

(45) **Date of Patent:** **\*\* Aug. 20, 2013**

(54) **ELECTRICAL CONNECTOR**

(75) Inventors: **Takamitsu Nakajima**, Tokyo (JP);  
**Takahiro Yamaji**, Tokyo (JP)

(73) Assignee: **Japan Aviation Electronics Industry, Limited**, Tokyo (JP)

(\*\*) Term: **14 Years**

(21) Appl. No.: **29/428,432**

(22) Filed: **Jul. 31, 2012**

(30) **Foreign Application Priority Data**

Feb. 14, 2012 (JP) ..... 2012-003041

(51) **LOC (9) Cl.** ..... **13-03**

(52) **U.S. Cl.**  
USPC ..... **D13/147**

(58) **Field of Classification Search**  
USPC D13/146-147, 154, 156, 184; 439/159-160,  
439/260, 325, 329, 395, 492, 495, 607.01,  
439/607.04, 607.05, 607.17, 607.25, 607.34,  
439/607.41, 607.53, 630  
See application file for complete search history.

(56) **References Cited**

U.S. PATENT DOCUMENTS

D591,242 S \* 4/2009 Zhang et al. .... D13/147  
D597,488 S \* 8/2009 Kikuchi et al. .... D13/147

D608,291 S \* 1/2010 Ikari ..... D13/147  
D609,187 S \* 2/2010 Hamauchi ..... D13/147  
D624,506 S \* 9/2010 Yotsutani ..... D13/147  
8,241,065 B2 \* 8/2012 Ikari et al. .... 439/607.41

FOREIGN PATENT DOCUMENTS

JP D1344943 S 11/2008  
JP D1355632 S 4/2009  
JP D1361179 S 6/2009

\* cited by examiner

*Primary Examiner* — Daniel Bui

(74) *Attorney, Agent, or Firm* — Cermak Nakajima LLP;  
Tomoko Nakajima

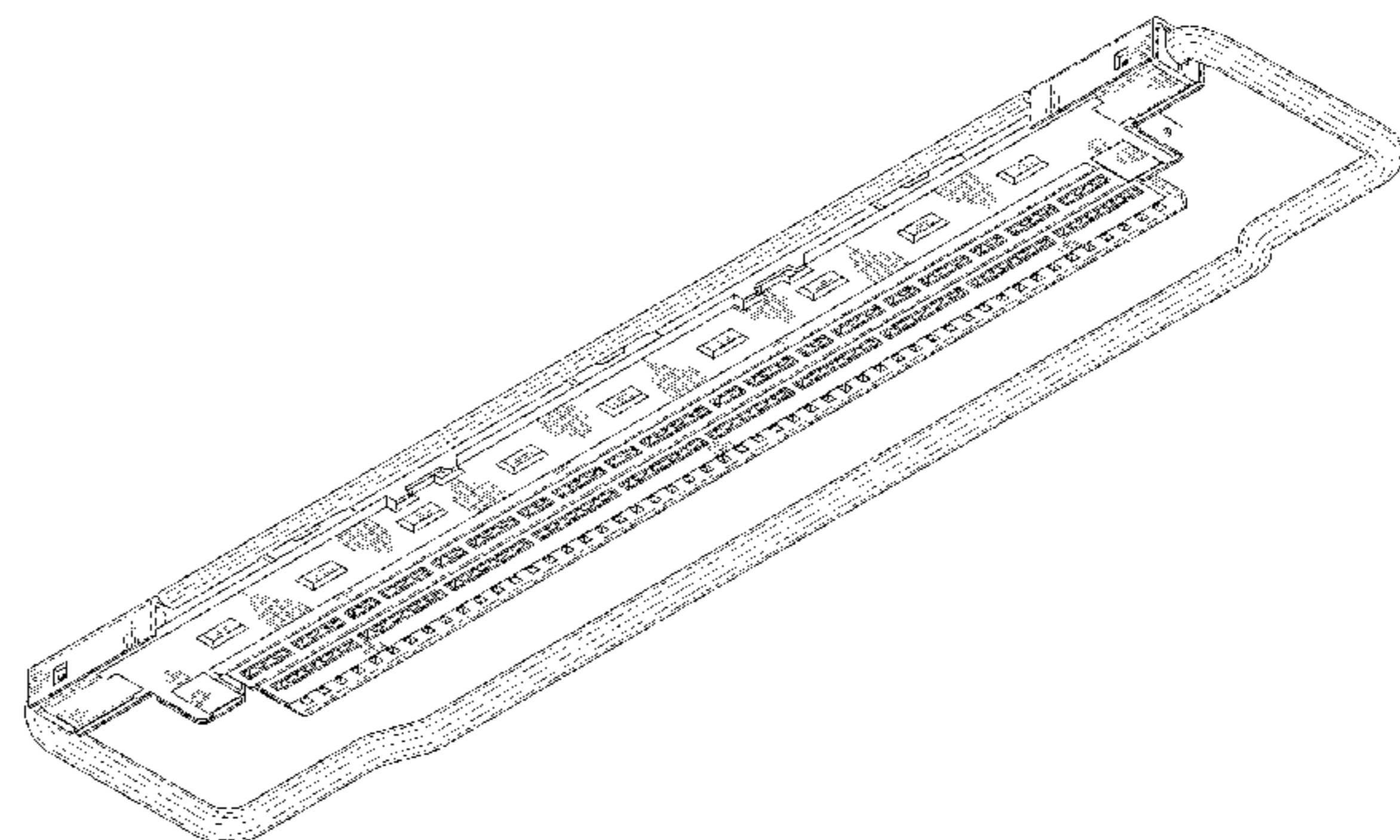
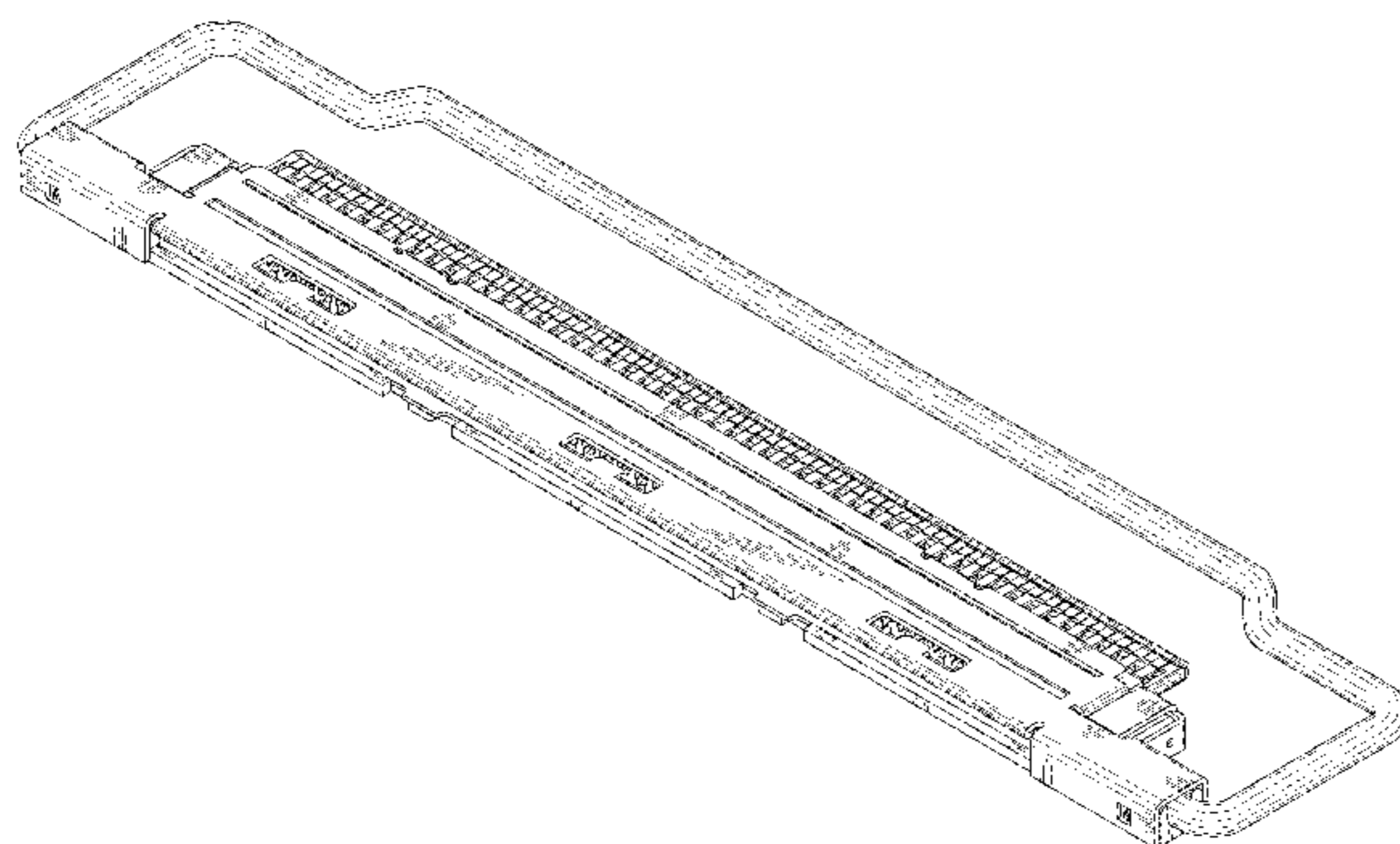
(57) **CLAIM**

The ornamental design for an electrical connector, as shown.

**DESCRIPTION**

FIG. 1 is a front elevational view of an electrical connector showing our new design;  
FIG. 2 is a top plan view thereof;  
FIG. 3 is a right side elevational view thereof;  
FIG. 4 is a left side elevational view thereof;  
FIG. 5 is a rear elevational view thereof; and  
FIG. 6 is a bottom plan view thereof.  
FIG. 7 is a front and top perspective view thereof;  
FIG. 8 is a rear and top perspective view thereof;  
FIG. 9 is a front and bottom perspective view thereof; and  
FIG. 10 is a rear and bottom perspective view thereof.

**1 Claim, 10 Drawing Sheets**



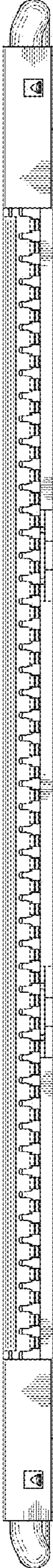


FIG.1

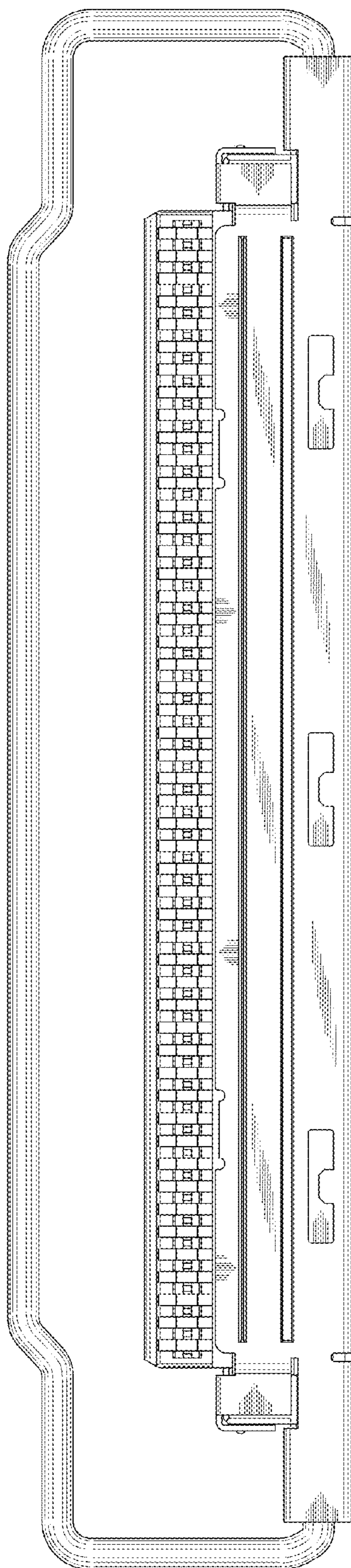


FIG.2

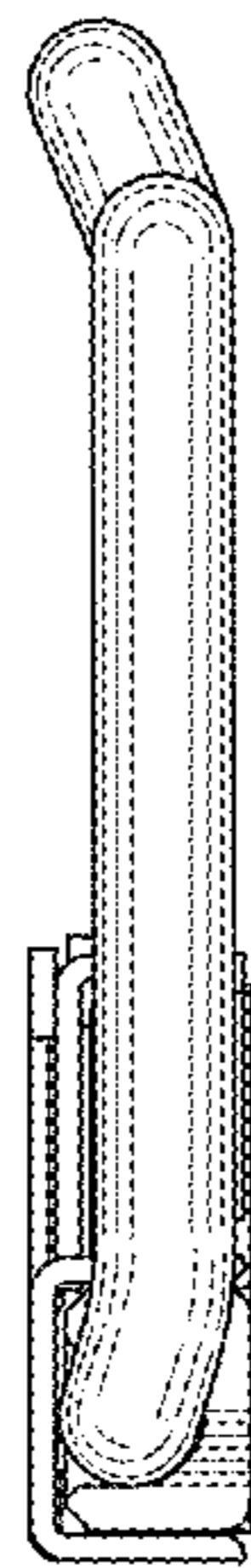


FIG. 3

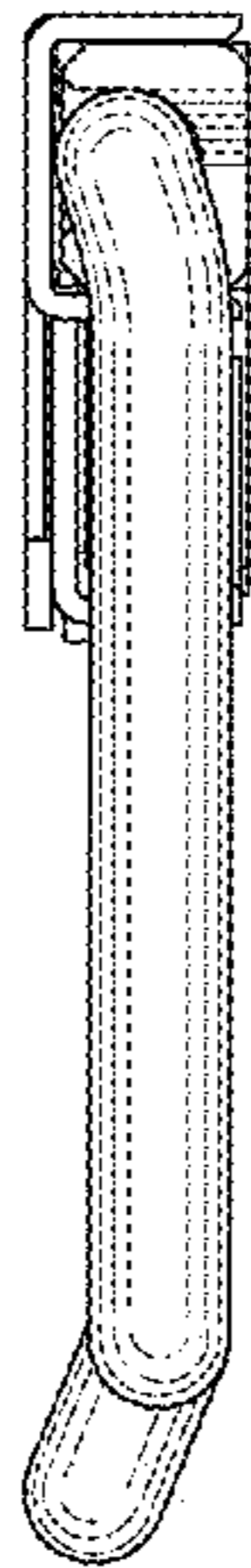


FIG.4



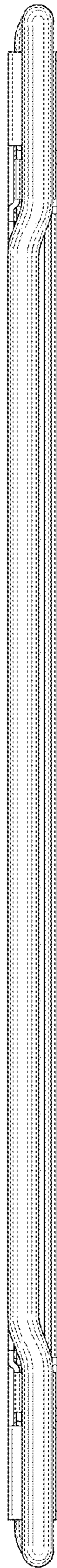


FIG.5

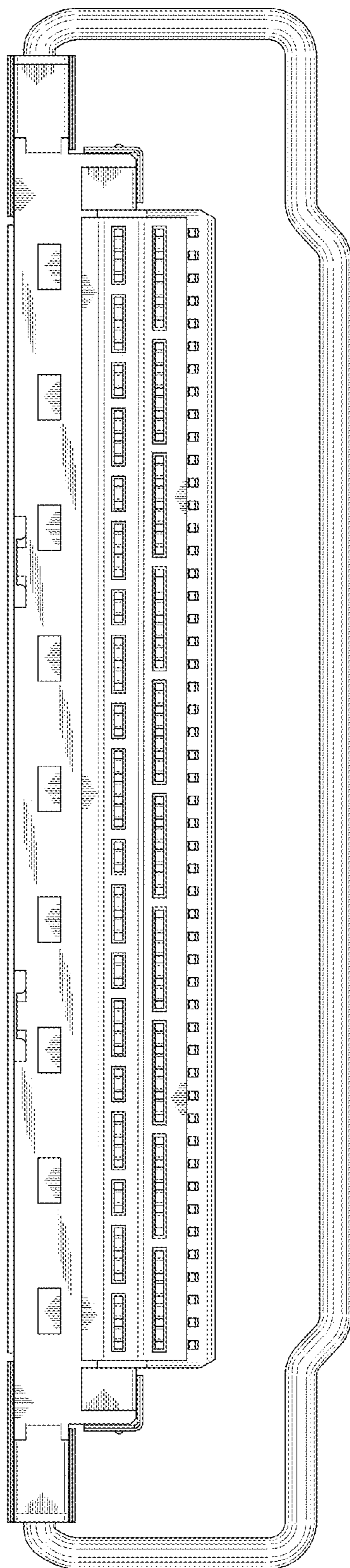


FIG.6

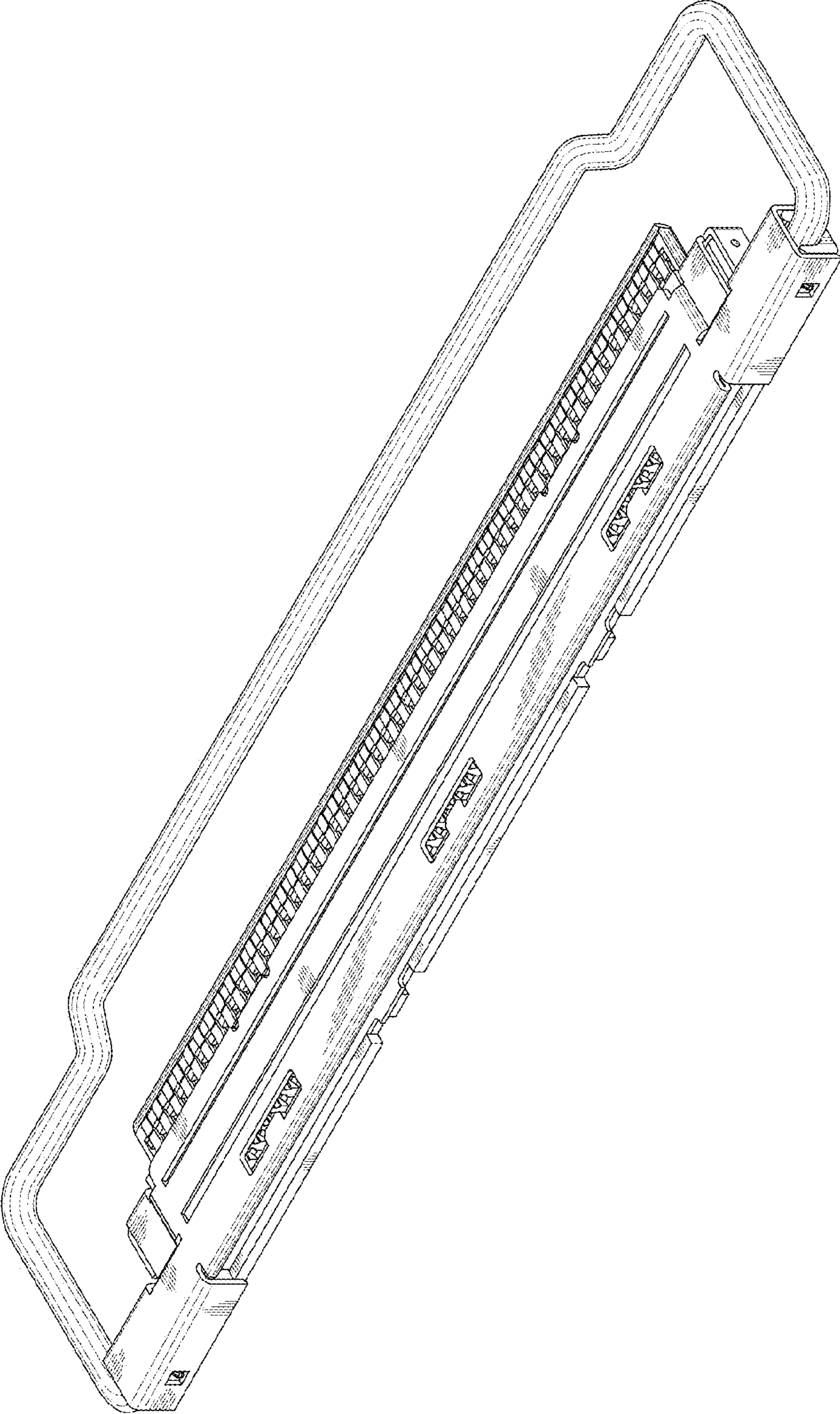


FIG.7



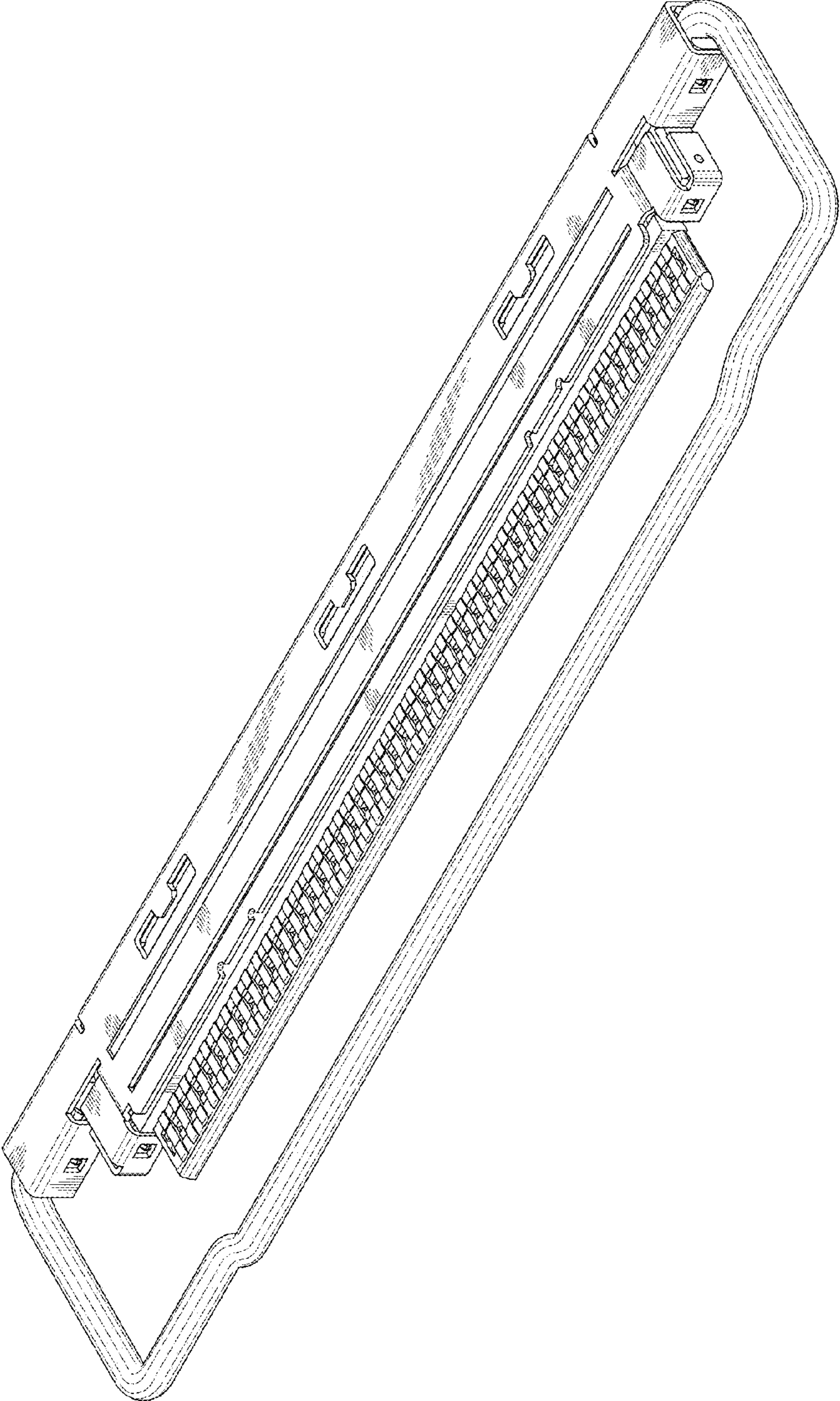


FIG.8

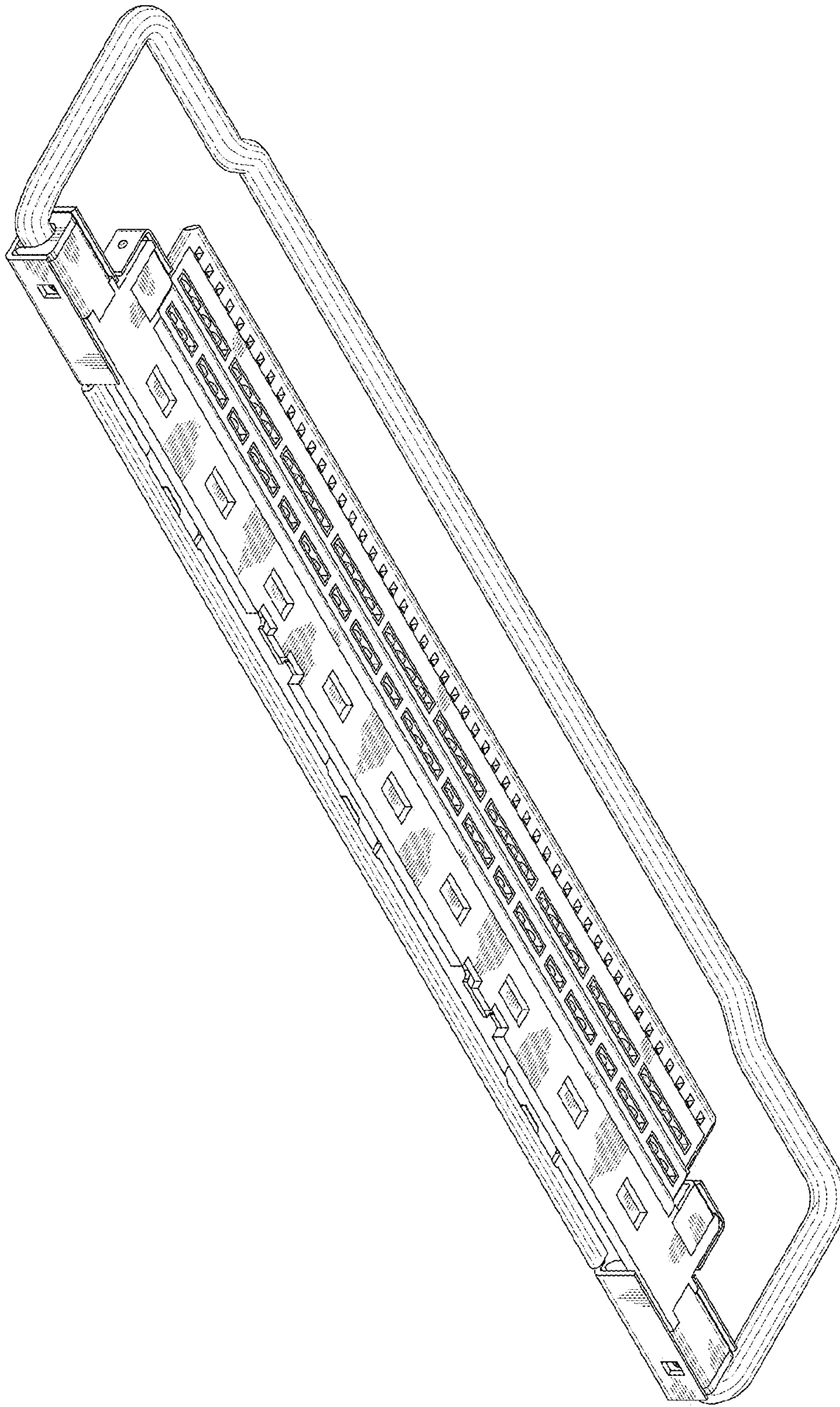


FIG.9



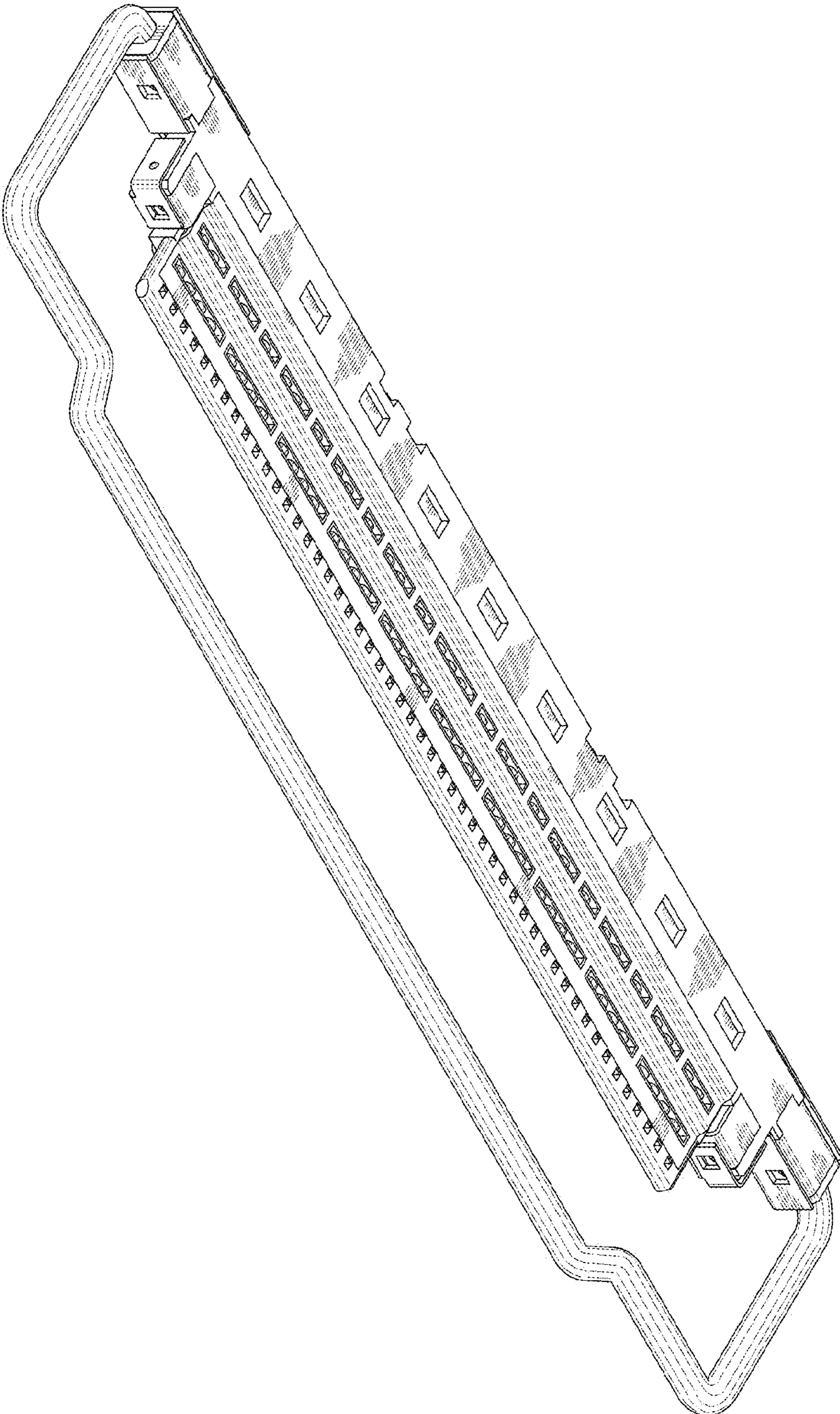


FIG.10