



US00D688208S

(12) **United States Design Patent**
Nakajima et al.

(10) **Patent No.:** **US D688,208 S**

(45) **Date of Patent:** **** Aug. 20, 2013**

(54) **ELECTRICAL CONNECTOR**

(75) Inventors: **Takamitsu Nakajima**, Tokyo (JP);
Takahiro Yamaji, Tokyo (JP)

(73) Assignee: **Japan Aviation Electronics Industry, Limited**, Tokyo (JP)

(**) Term: **14 Years**

(21) Appl. No.: **29/428,424**

(22) Filed: **Jul. 31, 2012**

(30) **Foreign Application Priority Data**

Feb. 14, 2012 (JP) 2012-003040

(51) **LOC (9) Cl.** **13-03**

(52) **U.S. Cl.**
USPC **D13/147**

(58) **Field of Classification Search**
USPC D13/146-147, 154, 156, 184; 439/159-160,
439/260, 325, 329, 395, 492, 495, 607.01,
439/607.04, 607.05, 607.17, 607.25, 607.34,
439/607.41, 607.53, 630
See application file for complete search history.

(56) **References Cited**

U.S. PATENT DOCUMENTS

D608,290 S * 1/2010 Ikari D13/147
D609,648 S * 2/2010 Kai et al. D13/147

D613,696 S * 4/2010 Takemoto D13/147
D617,280 S * 6/2010 Yotsutani D13/147
D623,139 S * 9/2010 Nanao et al. D13/147
D624,507 S * 9/2010 Yotsutani D13/147

FOREIGN PATENT DOCUMENTS

JP D1344943 S 11/2008
JP D1355632 S 4/2009
JP D1361179 S 6/2009

* cited by examiner

Primary Examiner — Daniel Bui

(74) *Attorney, Agent, or Firm* — Cermak Nakajima LLP;
Tomoko Nakajima

(57) **CLAIM**

The ornamental design for an electrical connector, as shown.

DESCRIPTION

FIG. 1 is a front elevational view of an electrical connector showing our new design;
FIG. 2 is a top plan view thereof;
FIG. 3 is a right side elevational view thereof;
FIG. 4 is a left side elevational view thereof;
FIG. 5 is a rear elevational view thereof; and
FIG. 6 is a bottom plan view thereof.
FIG. 7 is a front and top perspective view thereof;
FIG. 8 is a rear and top perspective view thereof;
FIG. 9 is a front and bottom perspective view thereof; and
FIG. 10 is a rear and bottom perspective view thereof.

1 Claim, 10 Drawing Sheets

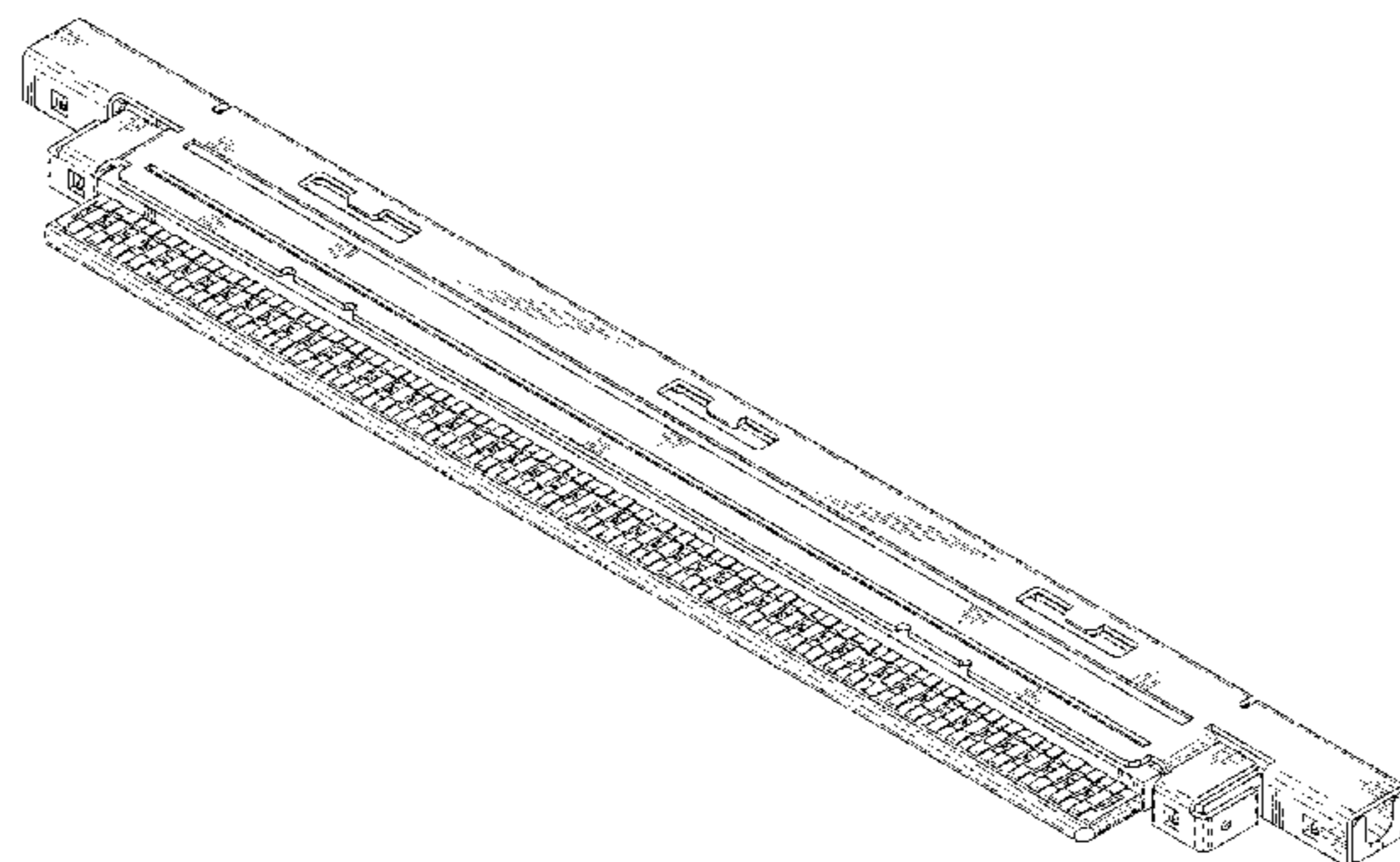
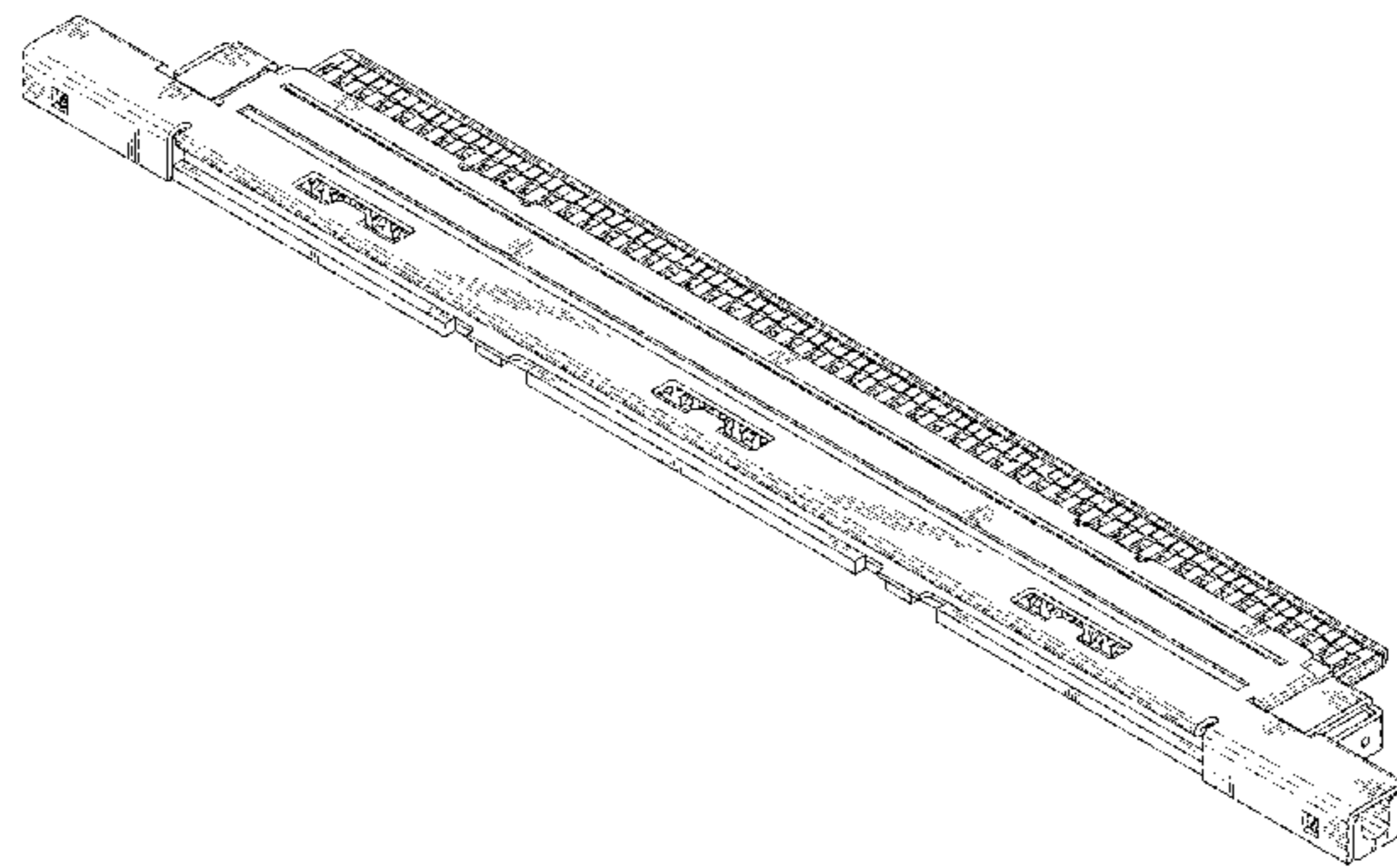




FIG.1

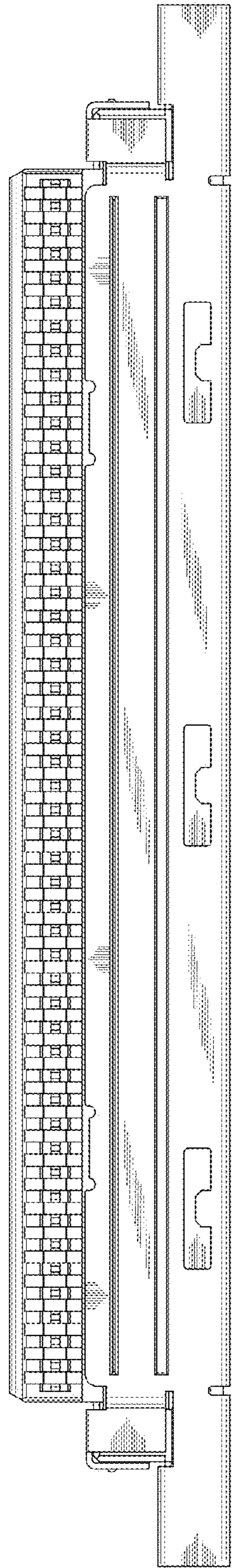


FIG.2



FIG.3

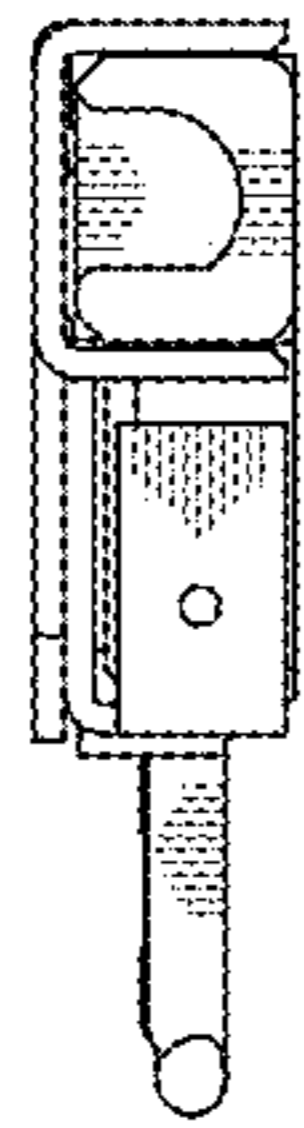


FIG.4

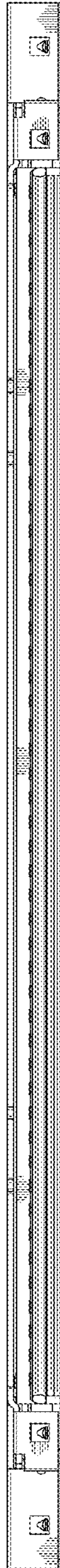


FIG. 5

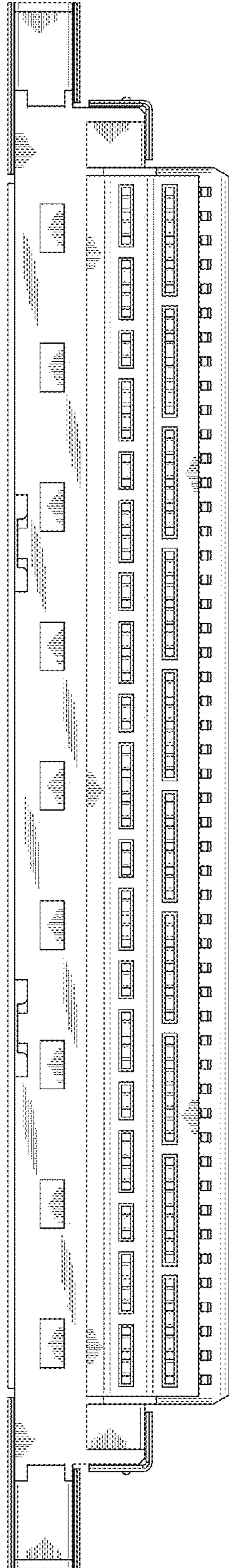


FIG.6

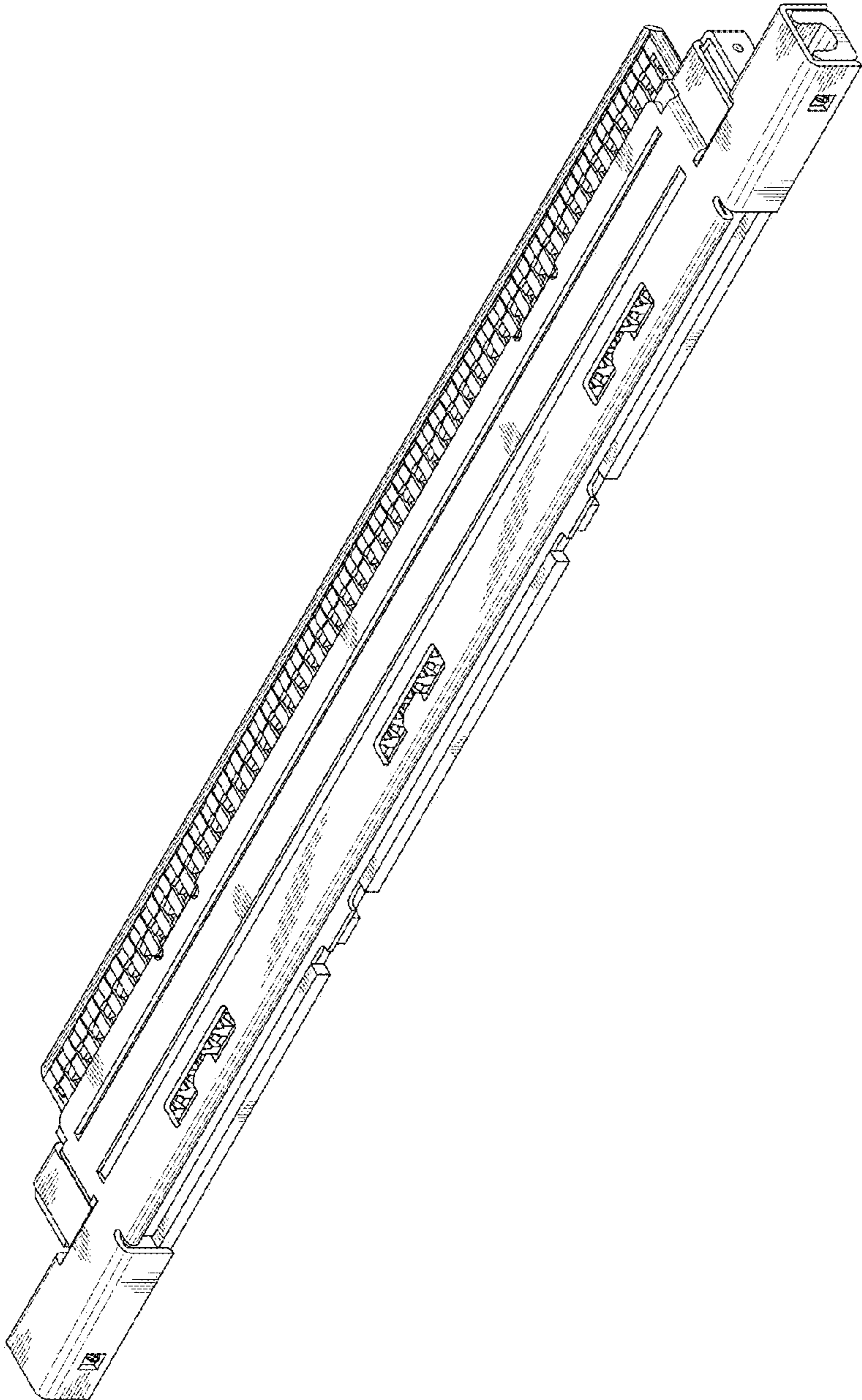


FIG.7

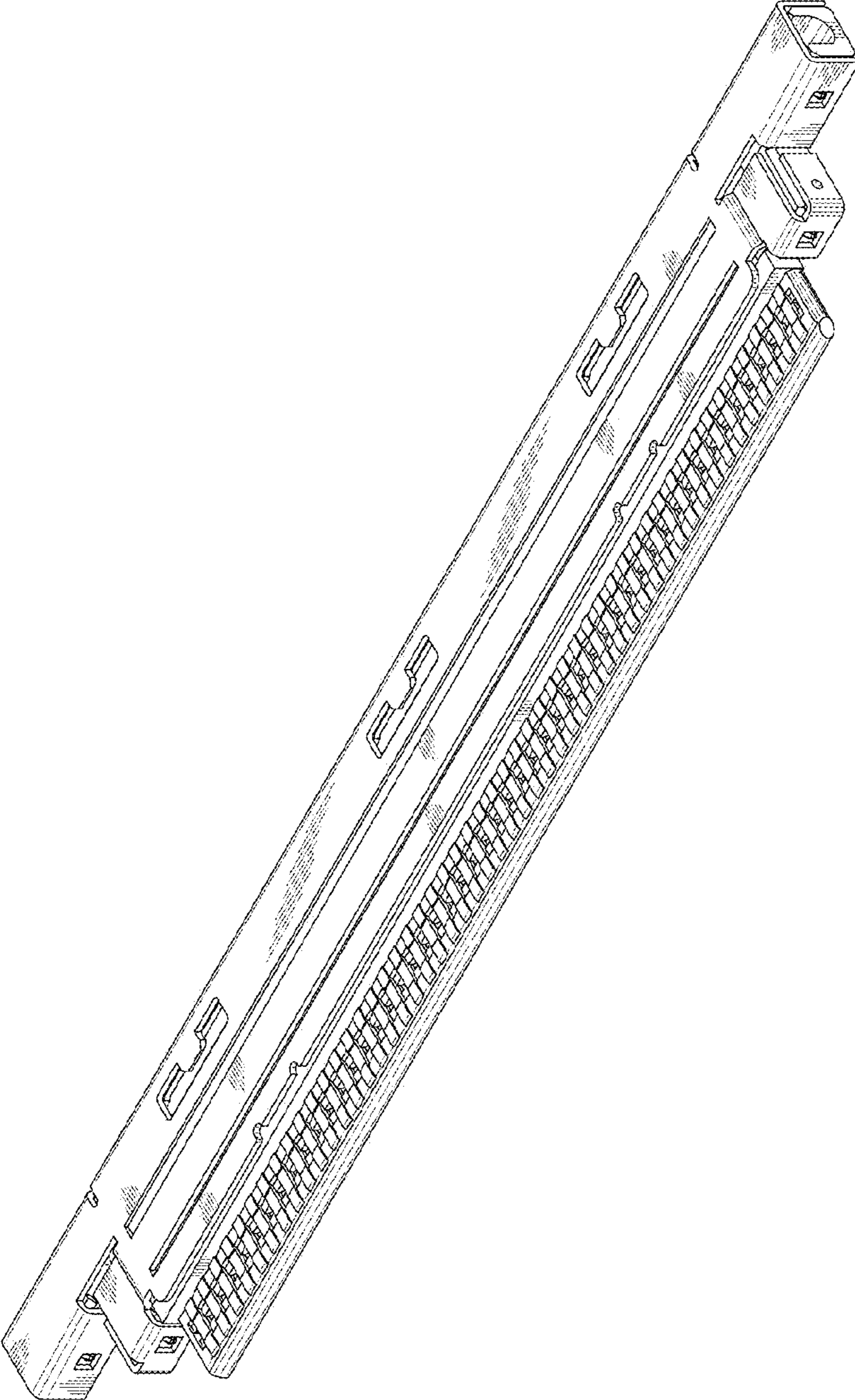


FIG.8

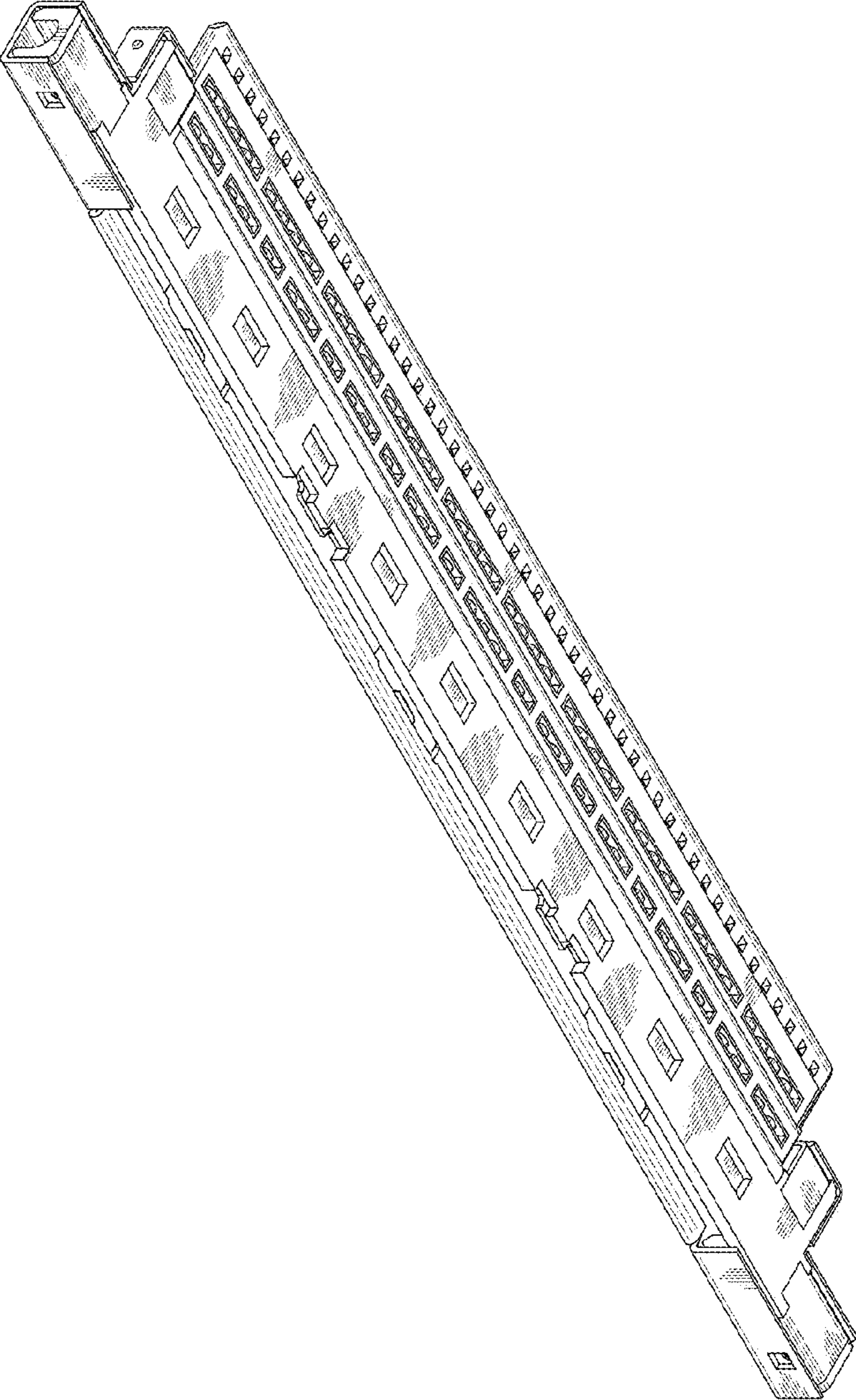


FIG. 9

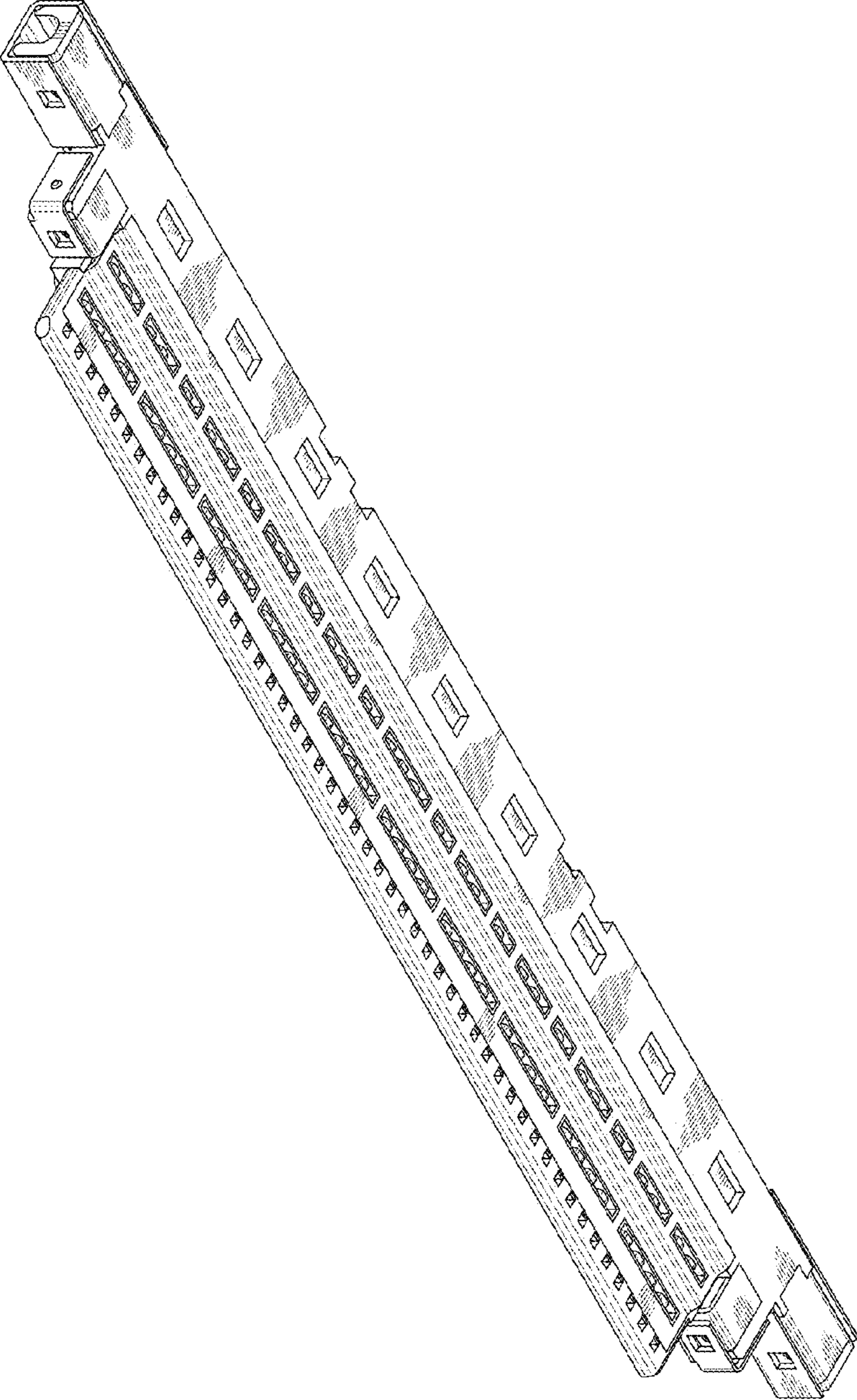


FIG.10