



US00D688206S

(12) **United States Design Patent**
Yokoyama

(10) **Patent No.:** **US D688,206 S**

(45) **Date of Patent:** **** Aug. 20, 2013**

(54) **ELECTRICAL CONNECTOR**

(75) Inventor: **Yohei Yokoyama**, Tokyo (JP)

(73) Assignee: **Japan Aviation Electronics Industry, Limited**, Tokyo (JP)

(**) Term: **14 Years**

(21) Appl. No.: **29/426,009**

(22) Filed: **Jun. 29, 2012**

(30) **Foreign Application Priority Data**

Jan. 12, 2012 (JP) 2012-000453

(51) **LOC (9) Cl.** **13-03**

(52) **U.S. Cl.**
USPC **D13/147**

(58) **Field of Classification Search**
USPC D13/147, 154, 184, 199; 439/79,
439/108, 350, 353, 357, 378, 476.1, 489,
439/587, 594, 595, 598, 607.01, 607.04,
439/607.05, 607.17, 607.25, 607.34, 607.41,
439/607.53, 656, 660, 668, 680, 711, 745,
439/752

See application file for complete search history.

(56) **References Cited**

U.S. PATENT DOCUMENTS

D409,571 S * 5/1999 Sato et al. D13/147
D488,447 S * 4/2004 Kuroki D13/147
D551,171 S * 9/2007 Lai et al. D13/147
D585,830 S * 2/2009 Shen et al. D13/147

FOREIGN PATENT DOCUMENTS

JP D1173698 S 5/2003

* cited by examiner

Primary Examiner — Daniel Bui

(74) *Attorney, Agent, or Firm* — Cermak Nakajima LLP;
Tomoko Nakajima

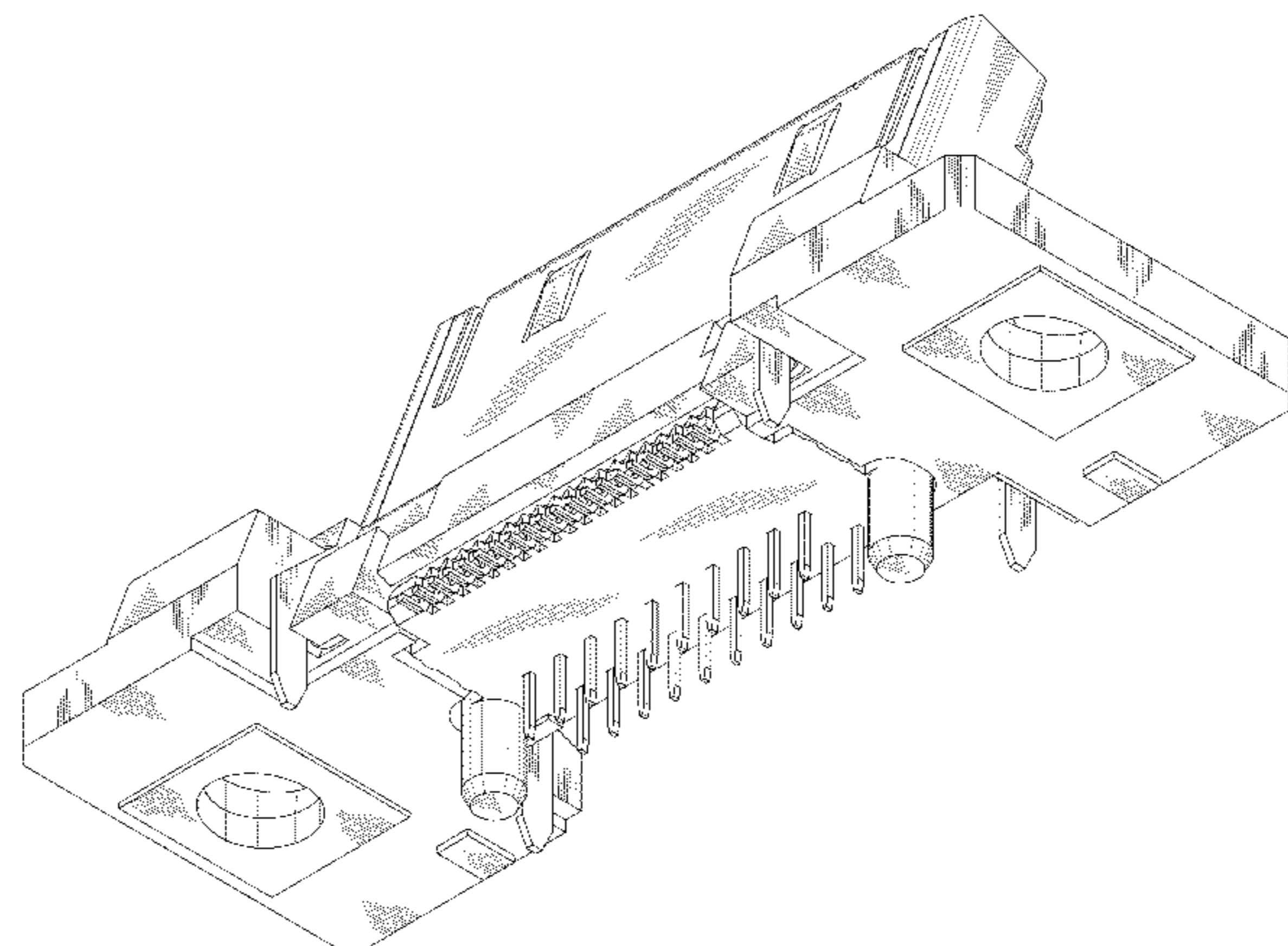
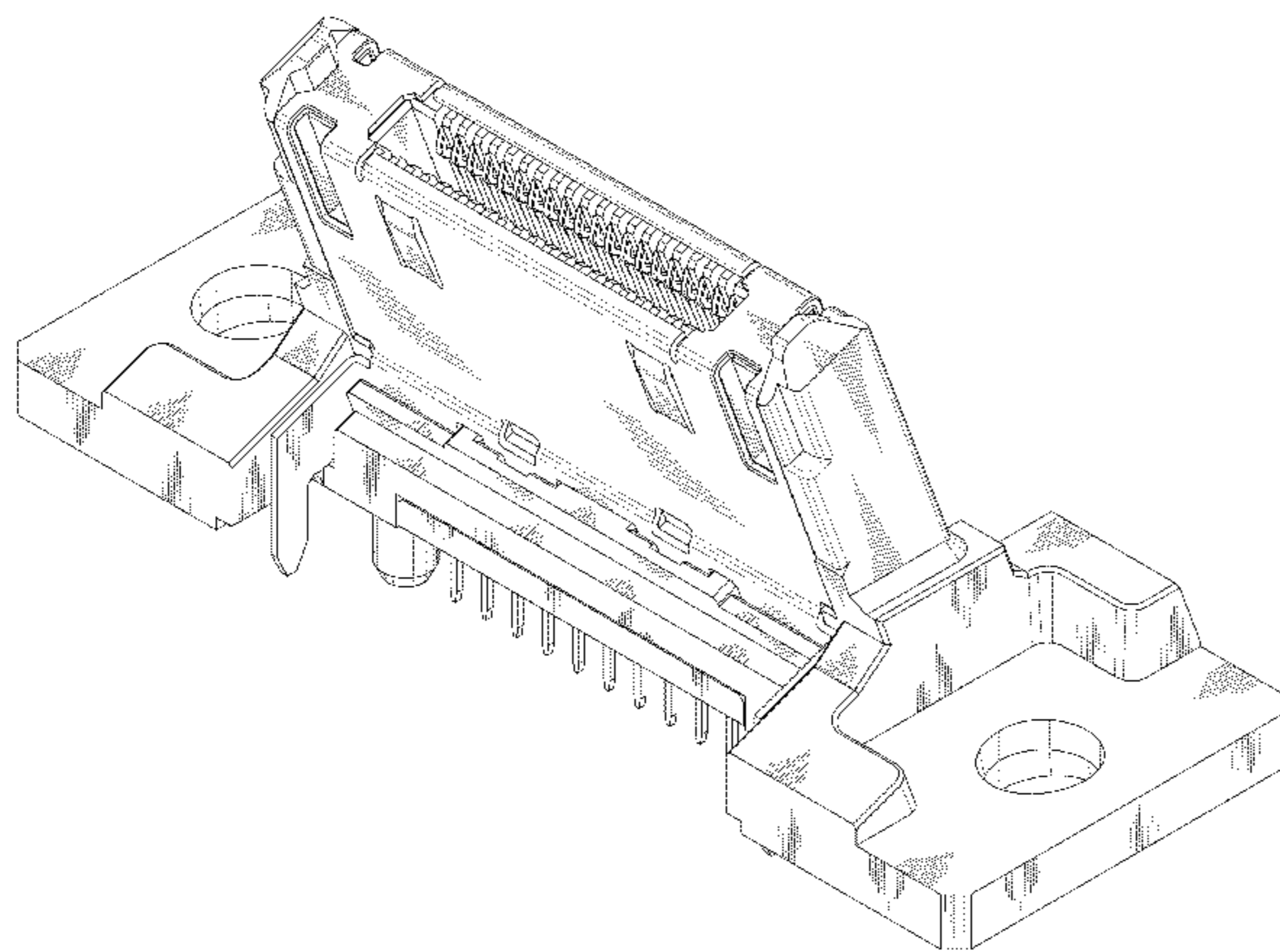
(57) **CLAIM**

The ornamental design for an electrical connector, as shown.

DESCRIPTION

FIG. 1 is a front elevational view of an electrical connector showing my new design;
FIG. 2 is a top plan view thereof;
FIG. 3 is a right side elevational view thereof;
FIG. 4 is a left side elevational view thereof;
FIG. 5 is a rear elevational view thereof; and
FIG. 6 is a bottom plan view thereof.
FIG. 7 is a front and top perspective view thereof; and,
FIG. 8 is a rear and bottom perspective view thereof.

1 Claim, 8 Drawing Sheets



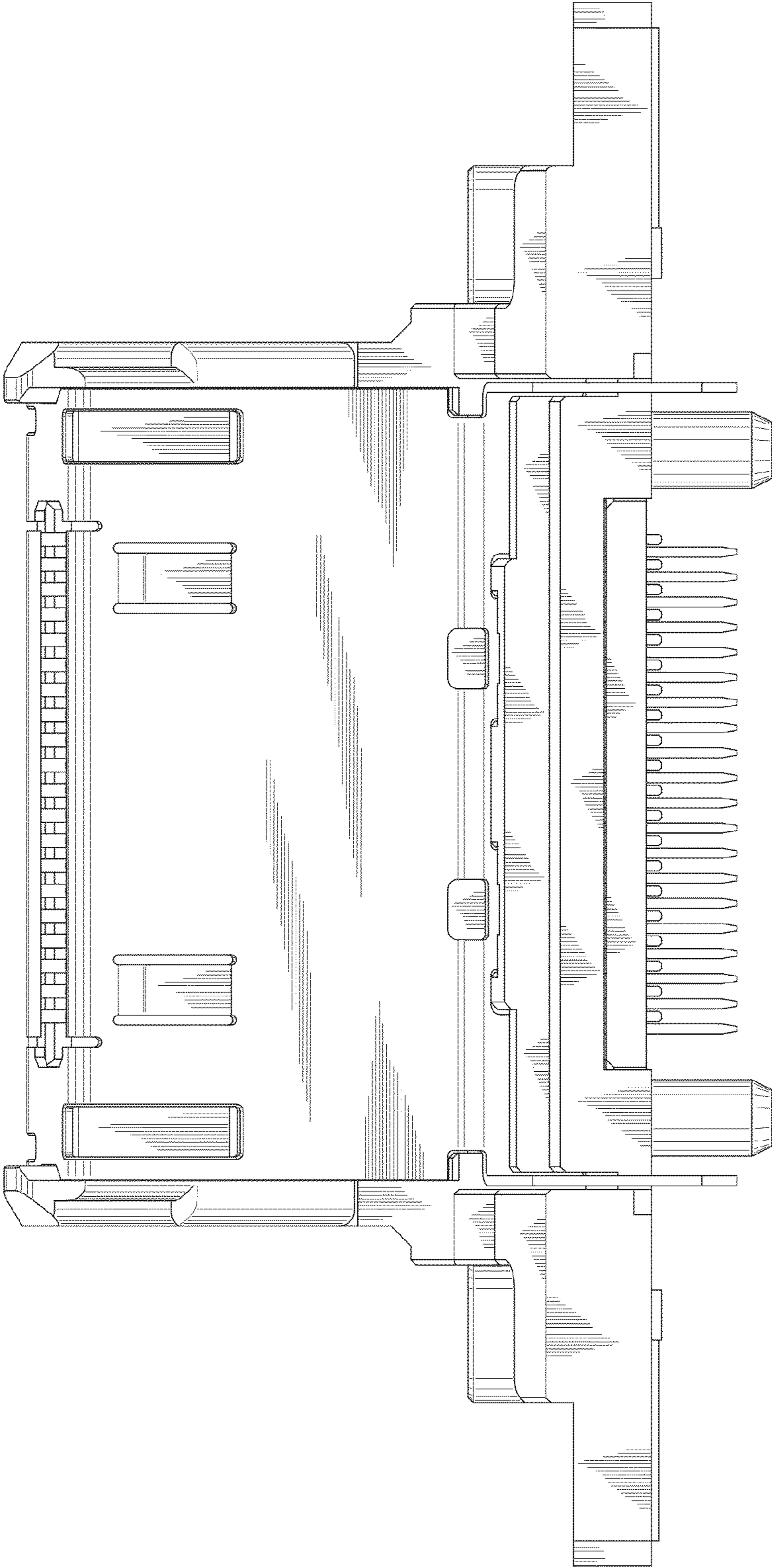


FIG.1

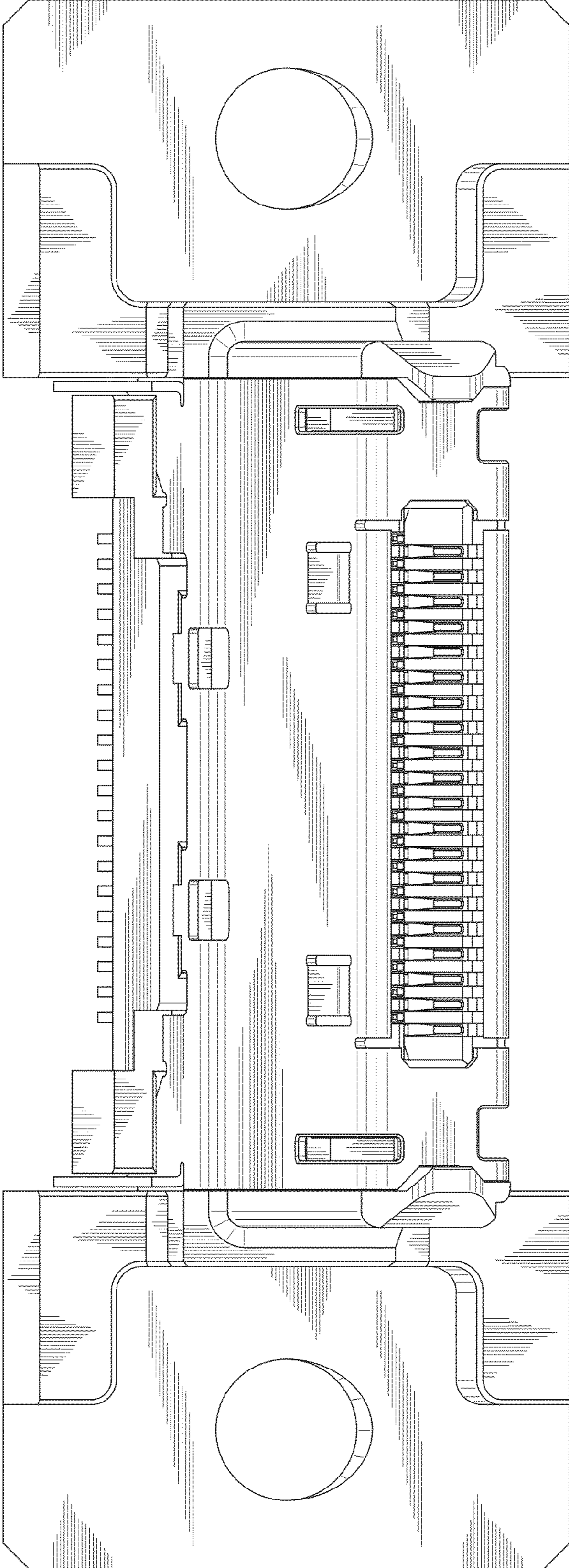


FIG.2

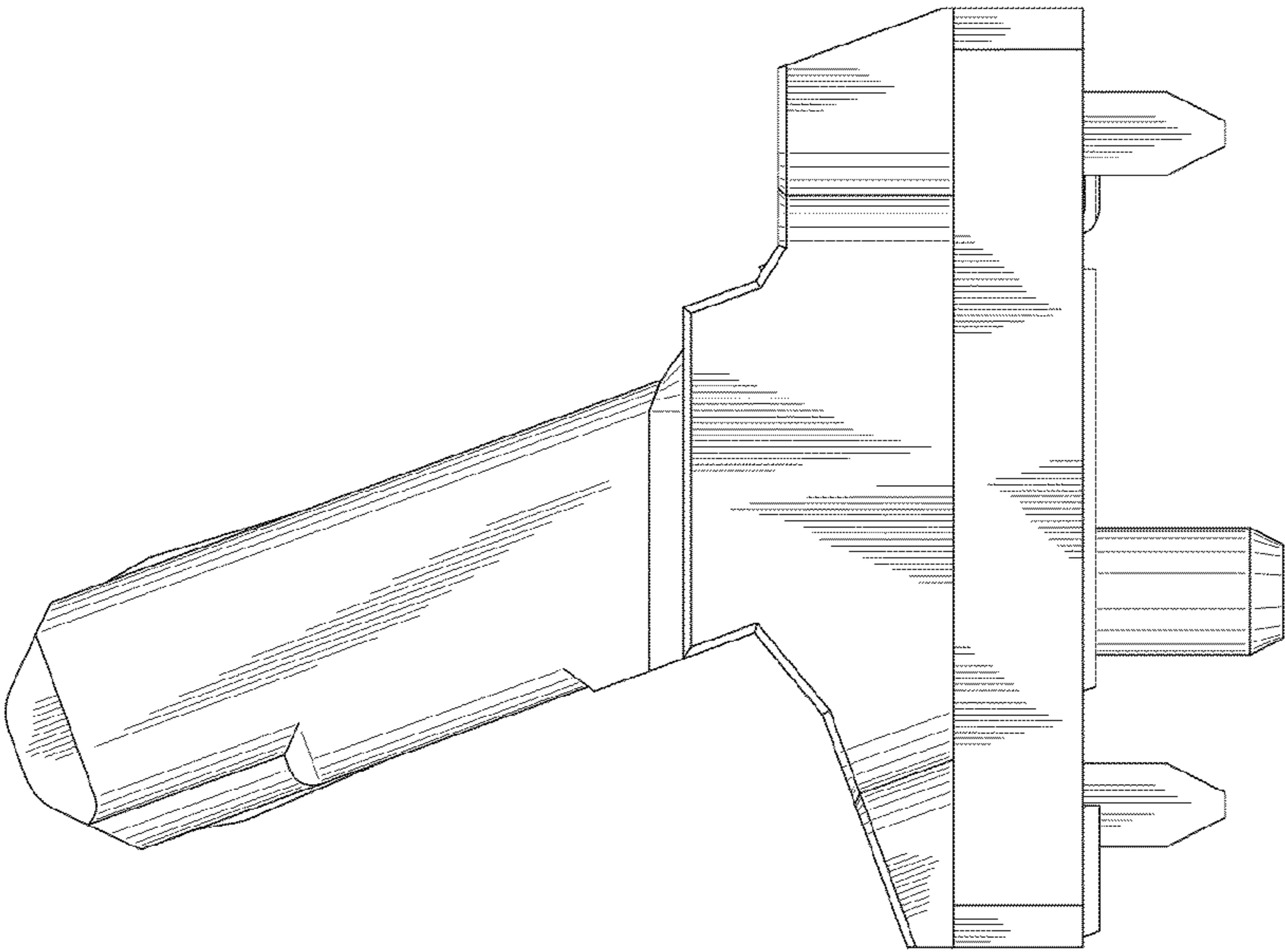


FIG.3

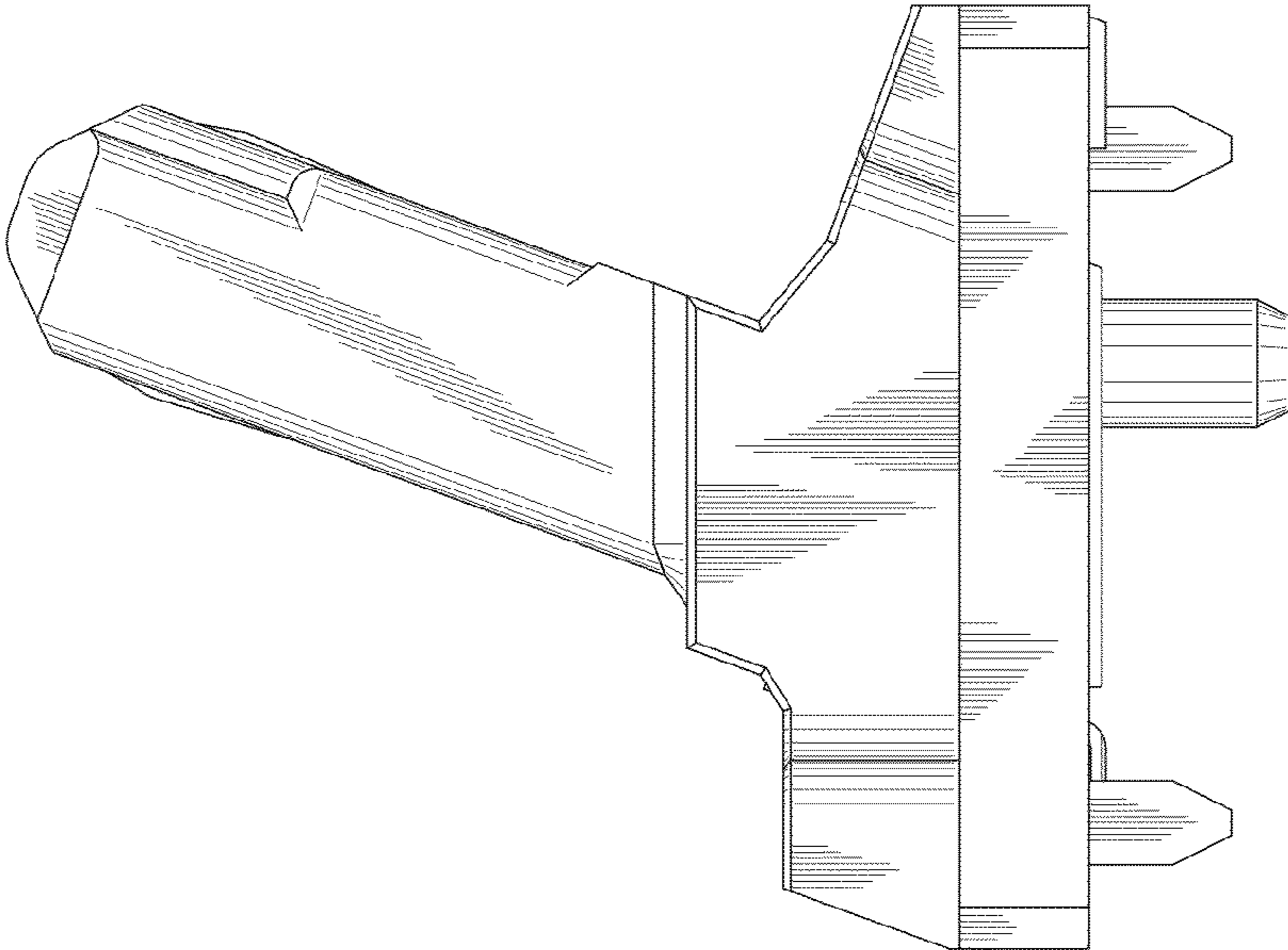


FIG.4

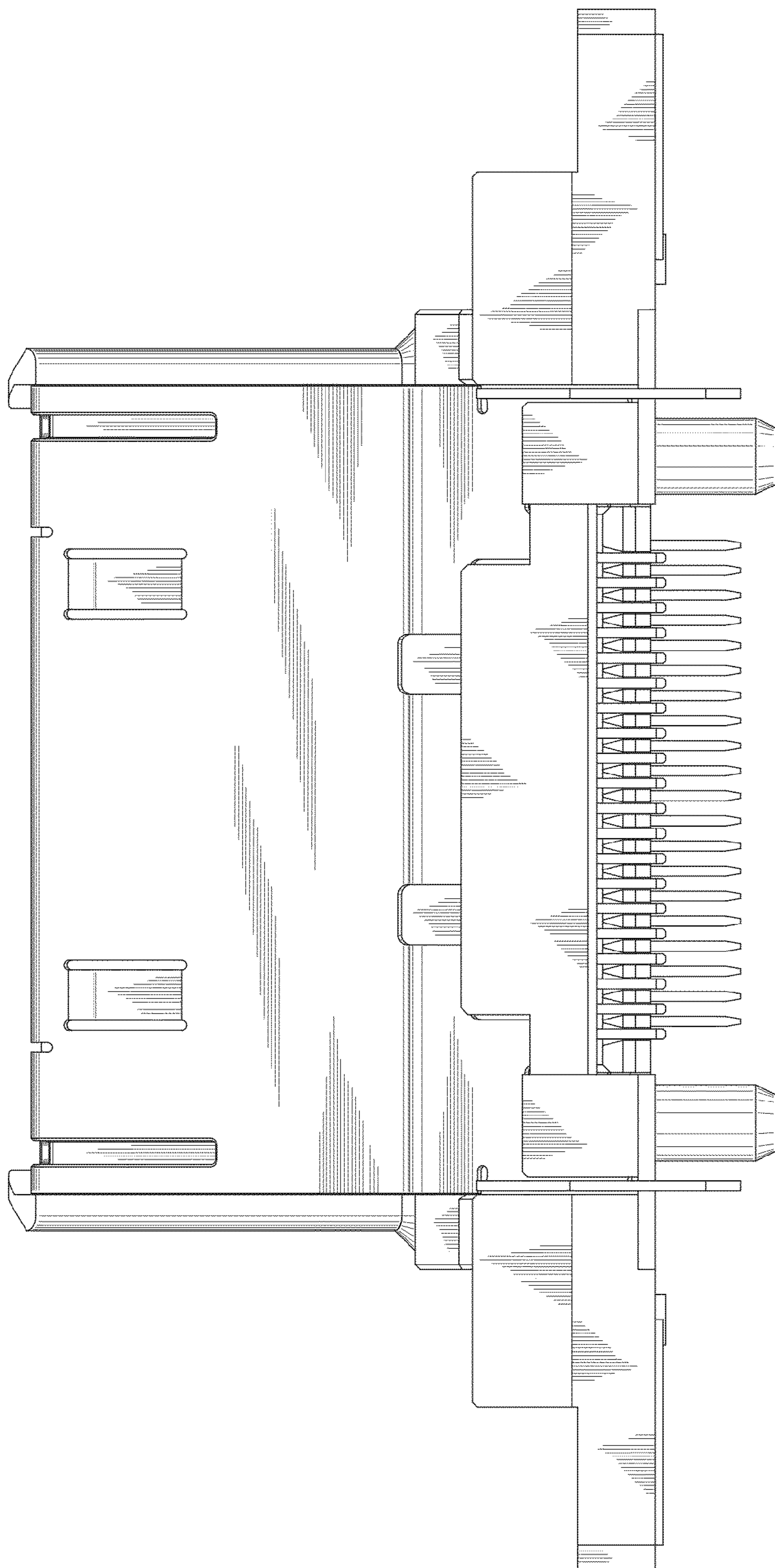


FIG.5

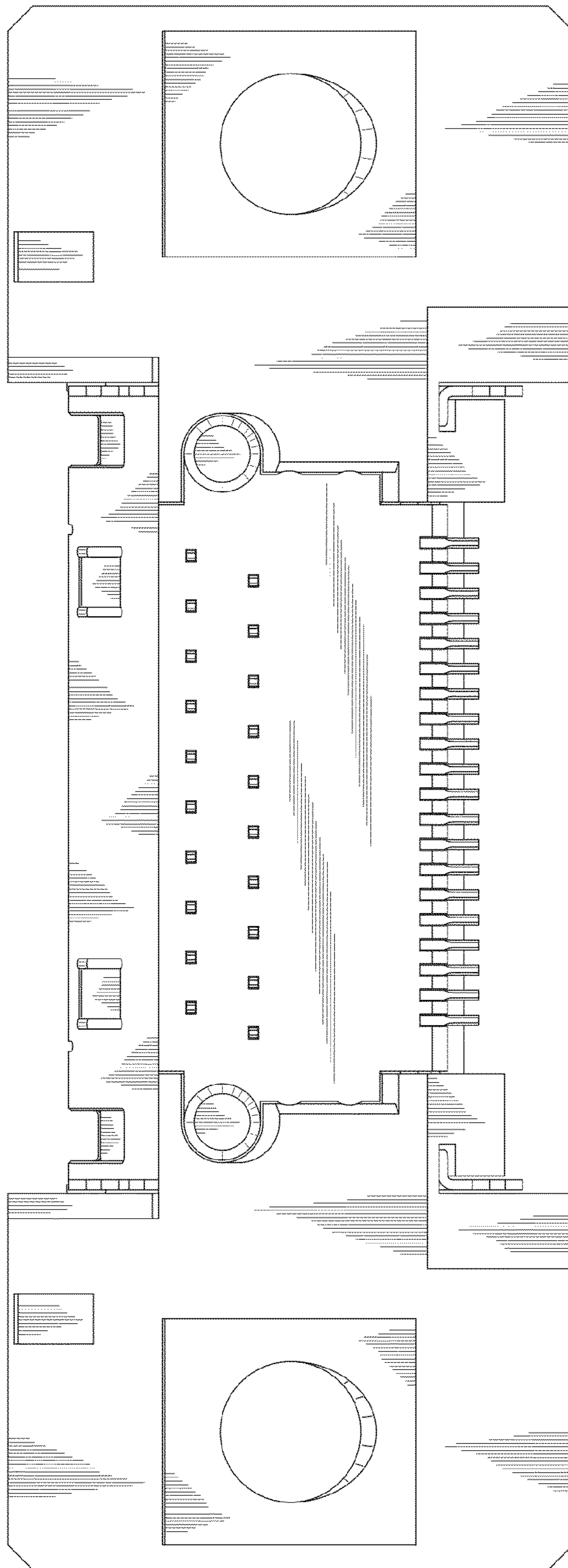


FIG.6

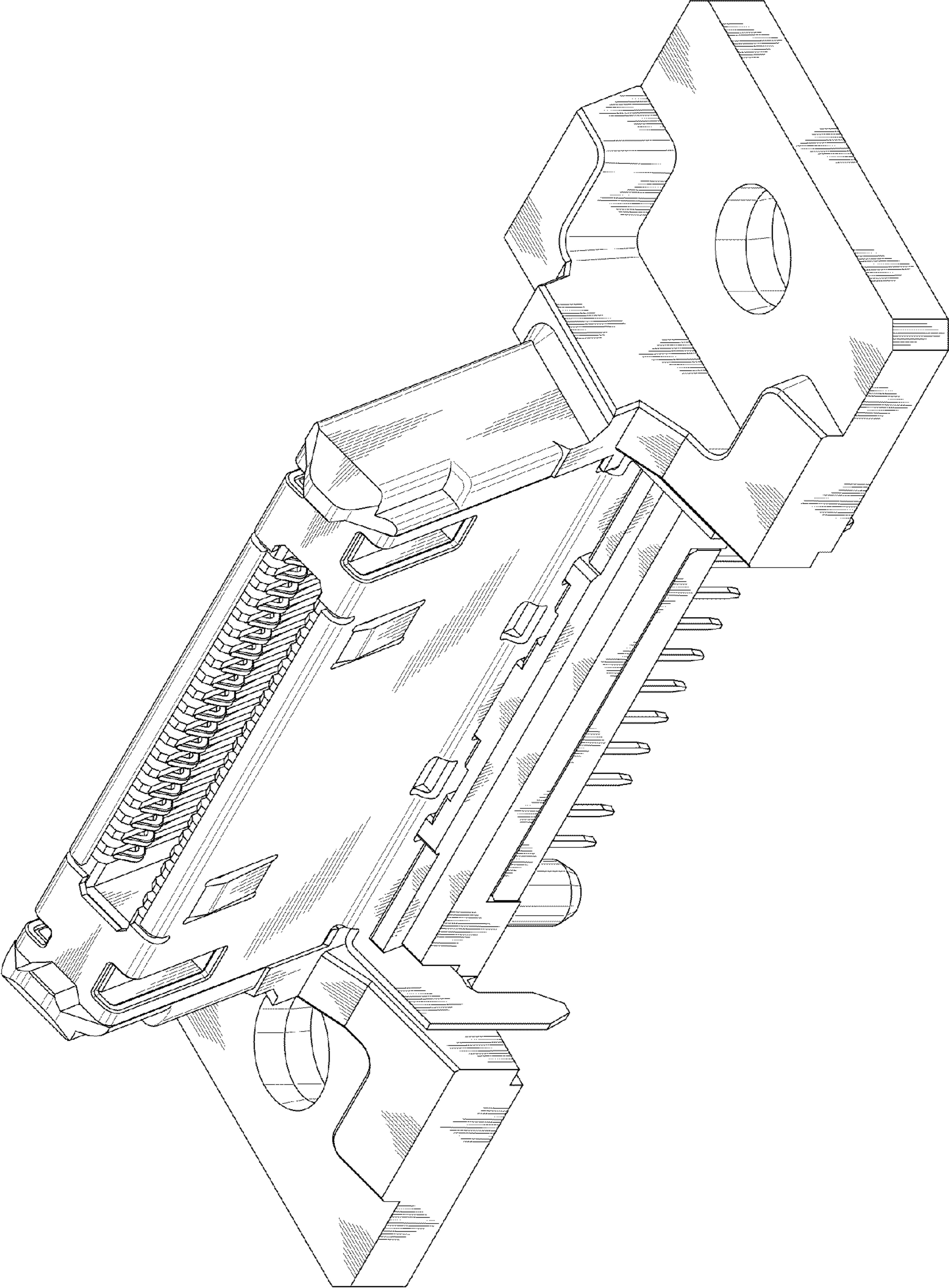


FIG.7

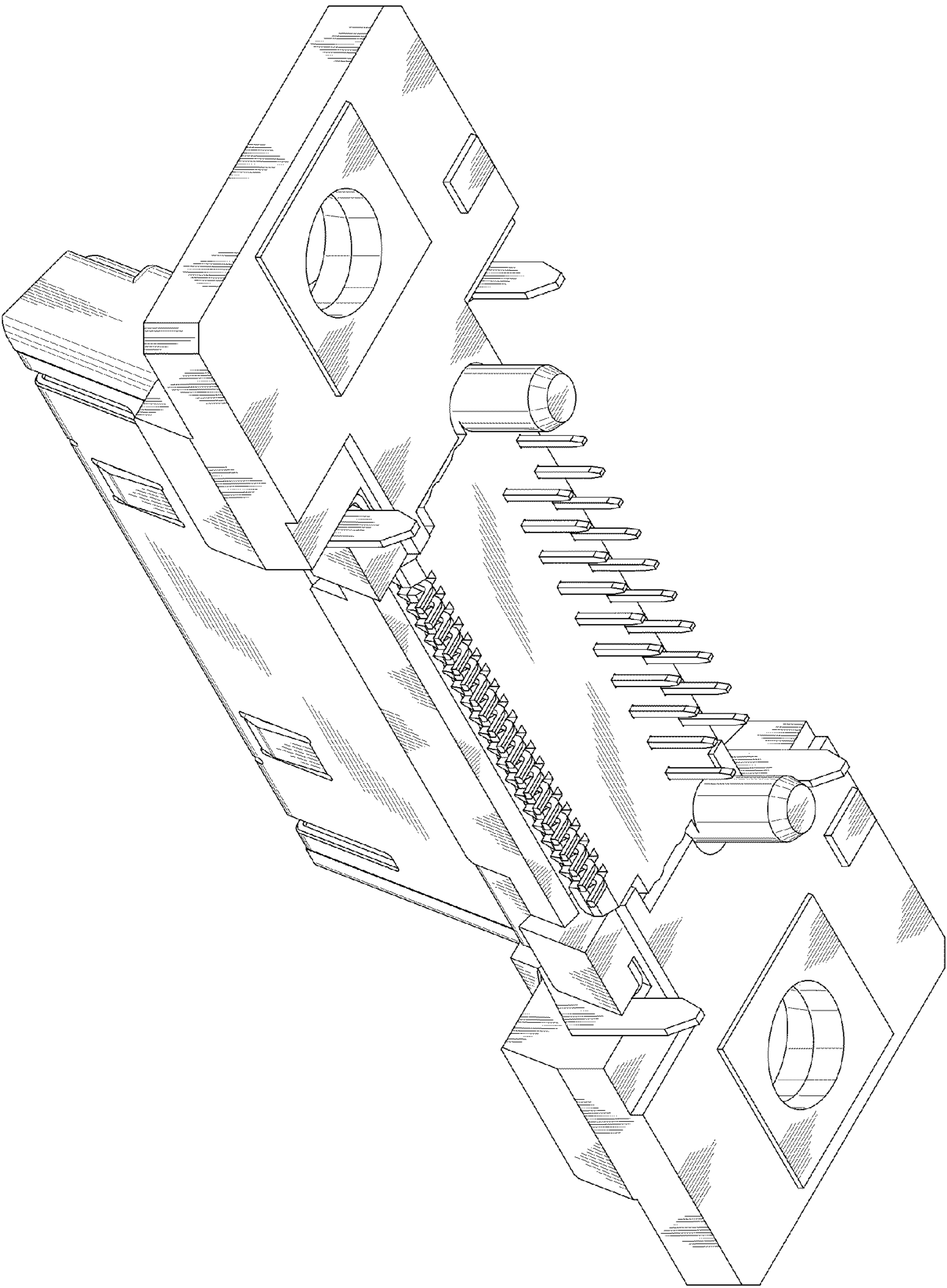


FIG.8