



US00D688203S

(12) **United States Design Patent**
Shimizu

(10) **Patent No.:** **US D688,203 S**

(45) **Date of Patent:** **** Aug. 20, 2013**

(54) **ELECTRICAL CONNECTOR**

(56) **References Cited**

(75) Inventor: **Takashi Shimizu**, Isesaki (JP)

U.S. PATENT DOCUMENTS

(73) Assignee: **Hosiden Corporation**, Yao-Shi (JP)

D447,733	S	*	9/2001	Ma et al.	D13/147
D461,772	S	*	8/2002	Zhou	D13/133
D462,055	S	*	8/2002	Shi et al.	D13/133
D479,197	S	*	9/2003	Zhang et al.	D13/146
D537,783	S	*	3/2007	Hamada et al.	D13/133

(**) Term: **14 Years**

* cited by examiner

(21) Appl. No.: **29/402,437**

Primary Examiner — Daniel Bui

(22) Filed: **Sep. 23, 2011**

(74) *Attorney, Agent, or Firm* — Rankin, Hill & Clark LLP

(30) **Foreign Application Priority Data**

(57) **CLAIM**

Apr. 13, 2011 (JP) 2011-008439

The ornamental design for an electrical connector, as shown and described.

(51) **LOC (9) Cl.** **13-03**

DESCRIPTION

(52) **U.S. Cl.**

USPC **D13/147**

FIG. 1 is a front, left side and top perspective view of an electrical connector showing my new design;

(58) **Field of Classification Search**

USPC D13/146, 147, 154, 184, 199; 439/350, 439/352, 353, 357, 439, 447, 582, 607.01, 439/607.04, 607.05, 607.17, 607.25, 607.34, 439/607.41, 607.53, 660, 676, 677, 680, 439/682, 694, 744, 855

FIG. 2 is a front elevation view thereof, a rear elevation view being a mirror image thereto;

FIG. 3 is a left side view thereof;

FIG. 4 is a right side view thereof;

FIG. 5 is a top plan view thereof; and,

FIG. 6 is a bottom plan view thereof.

See application file for complete search history.

1 Claim, 2 Drawing Sheets

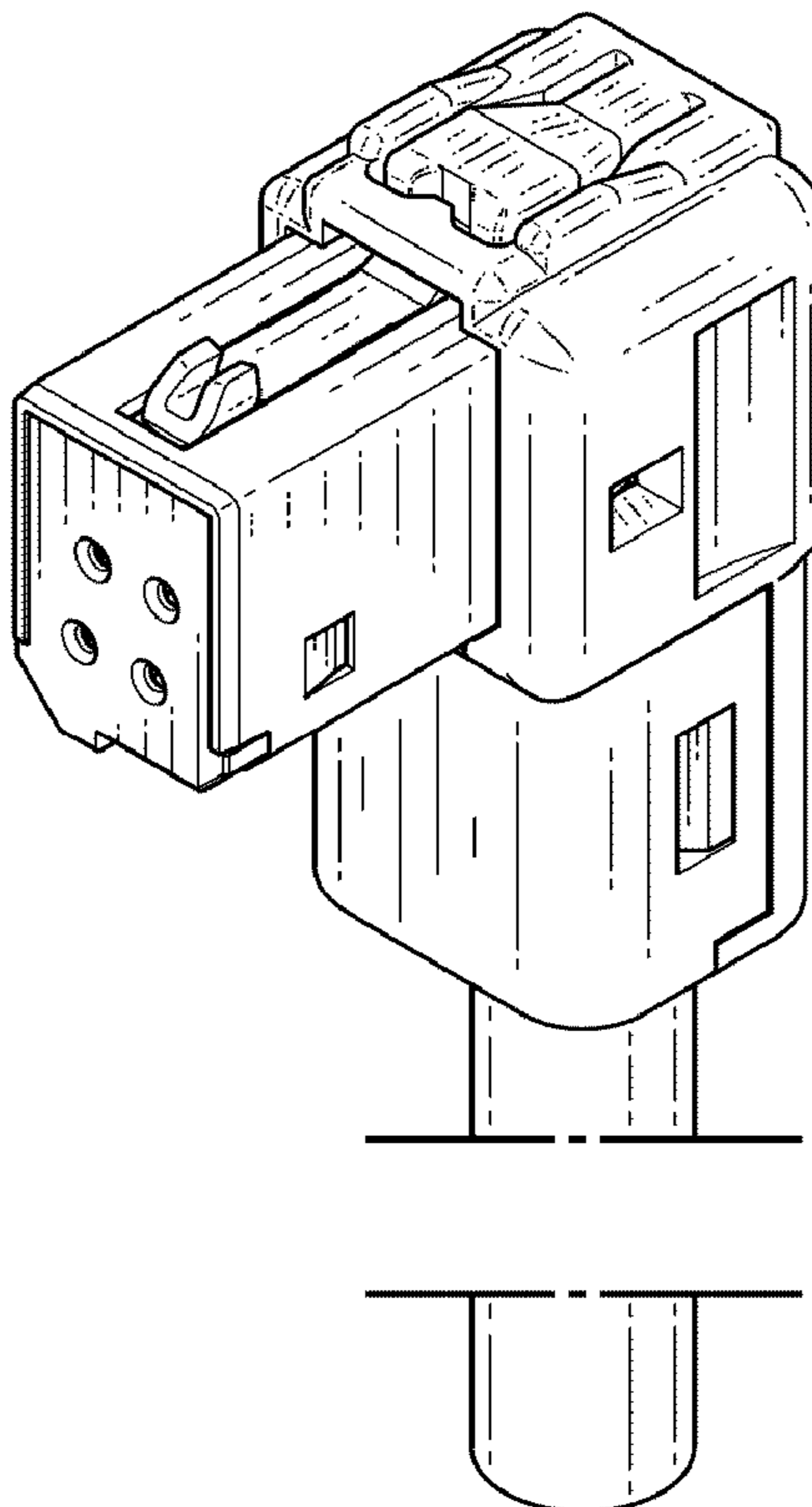


Fig. 1

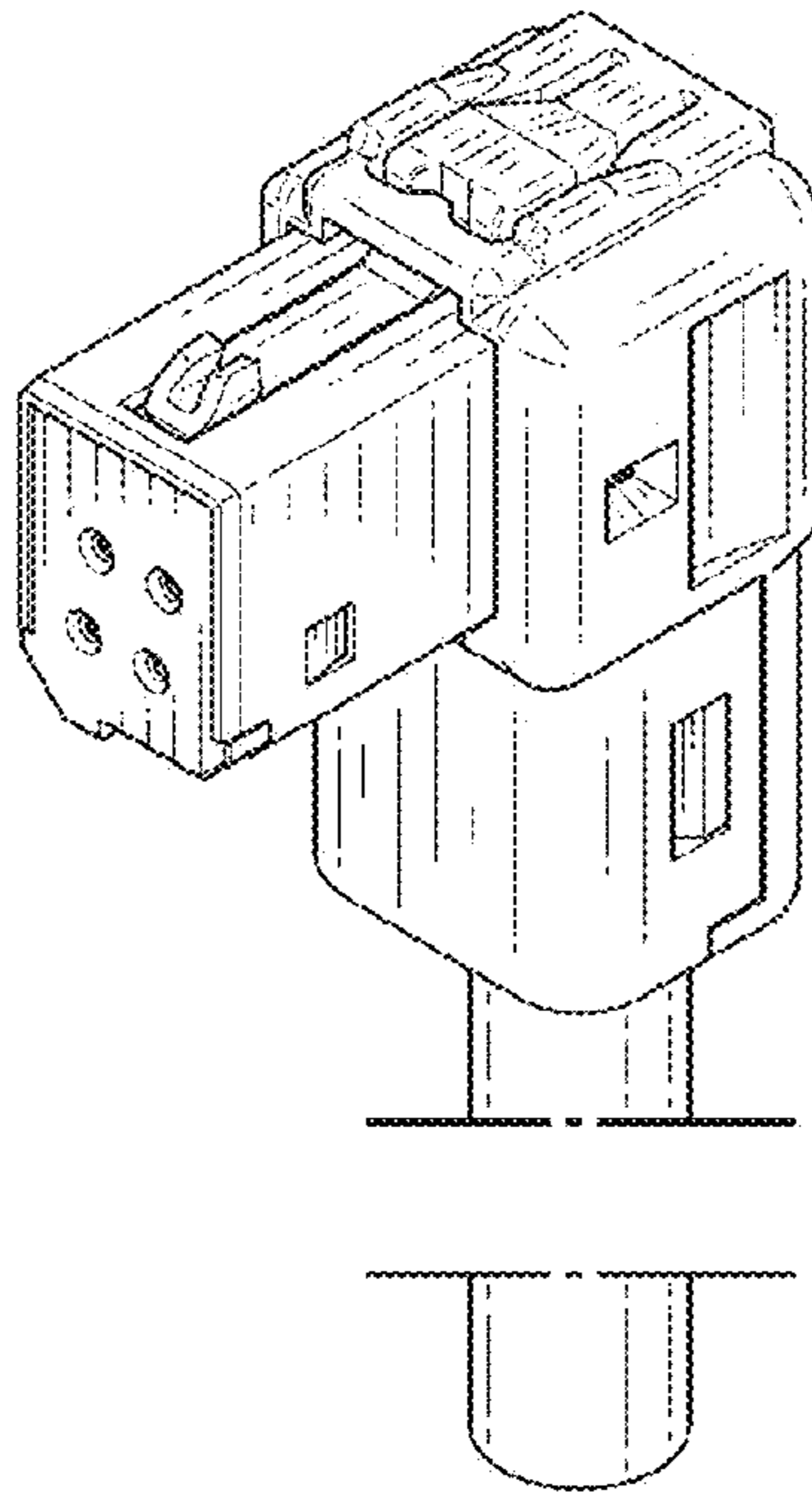


Fig. 2

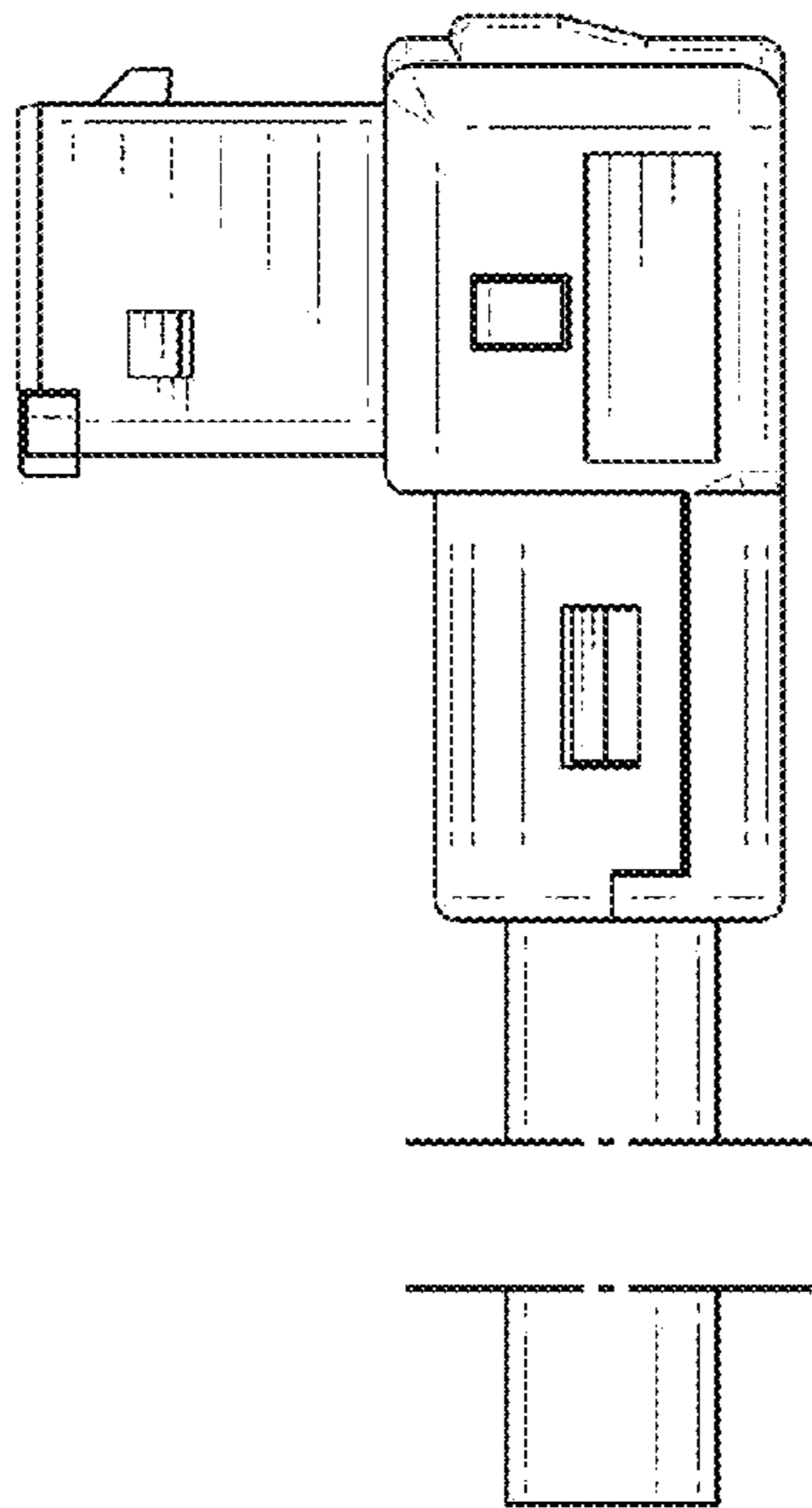


Fig. 3

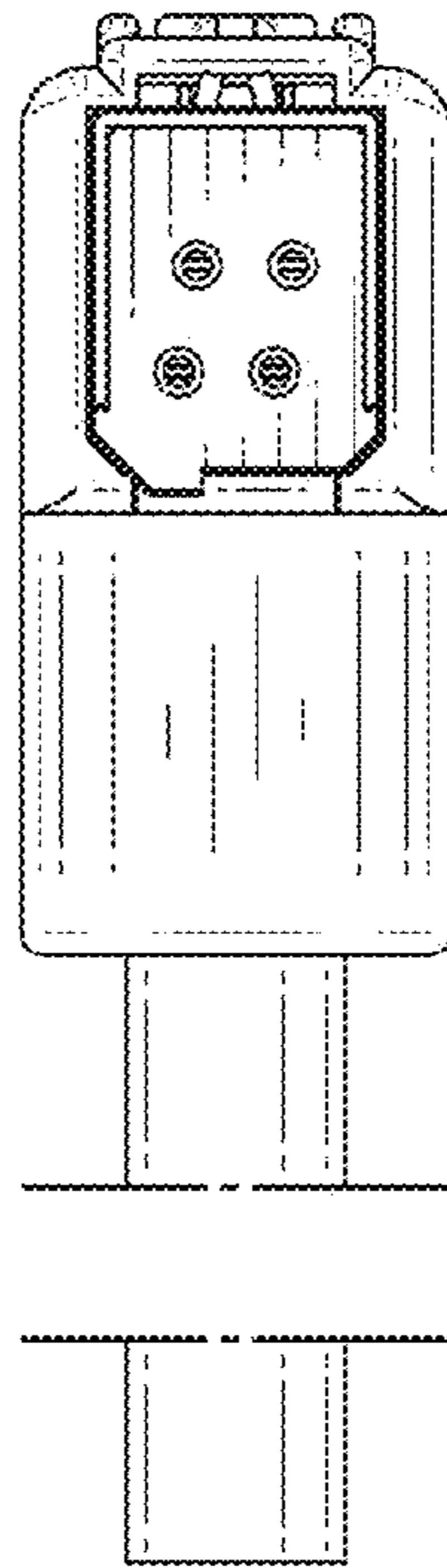


Fig. 4

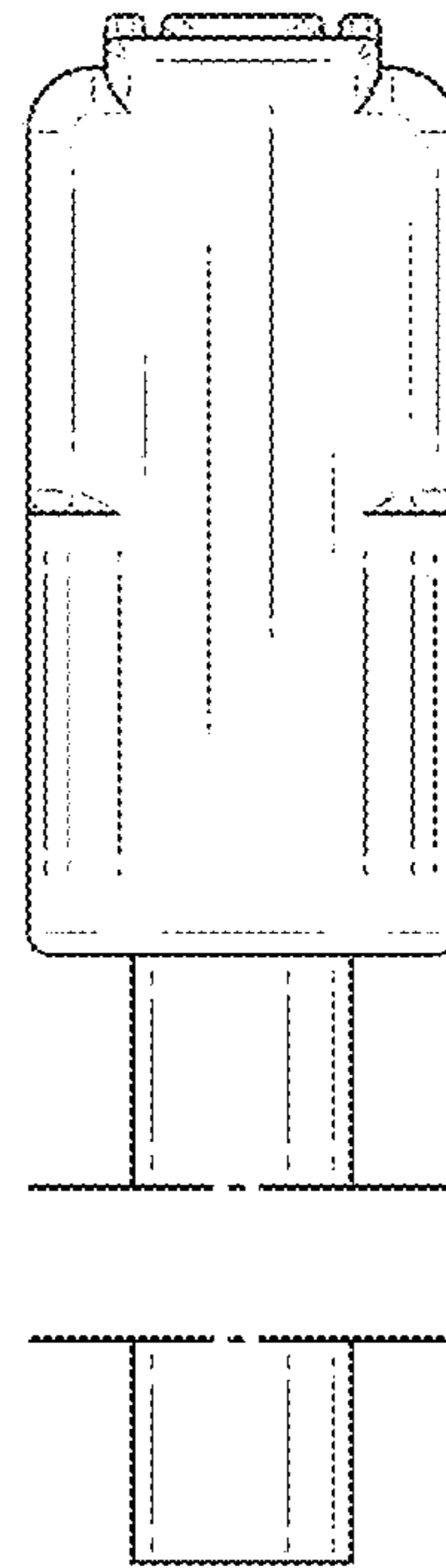


Fig. 5

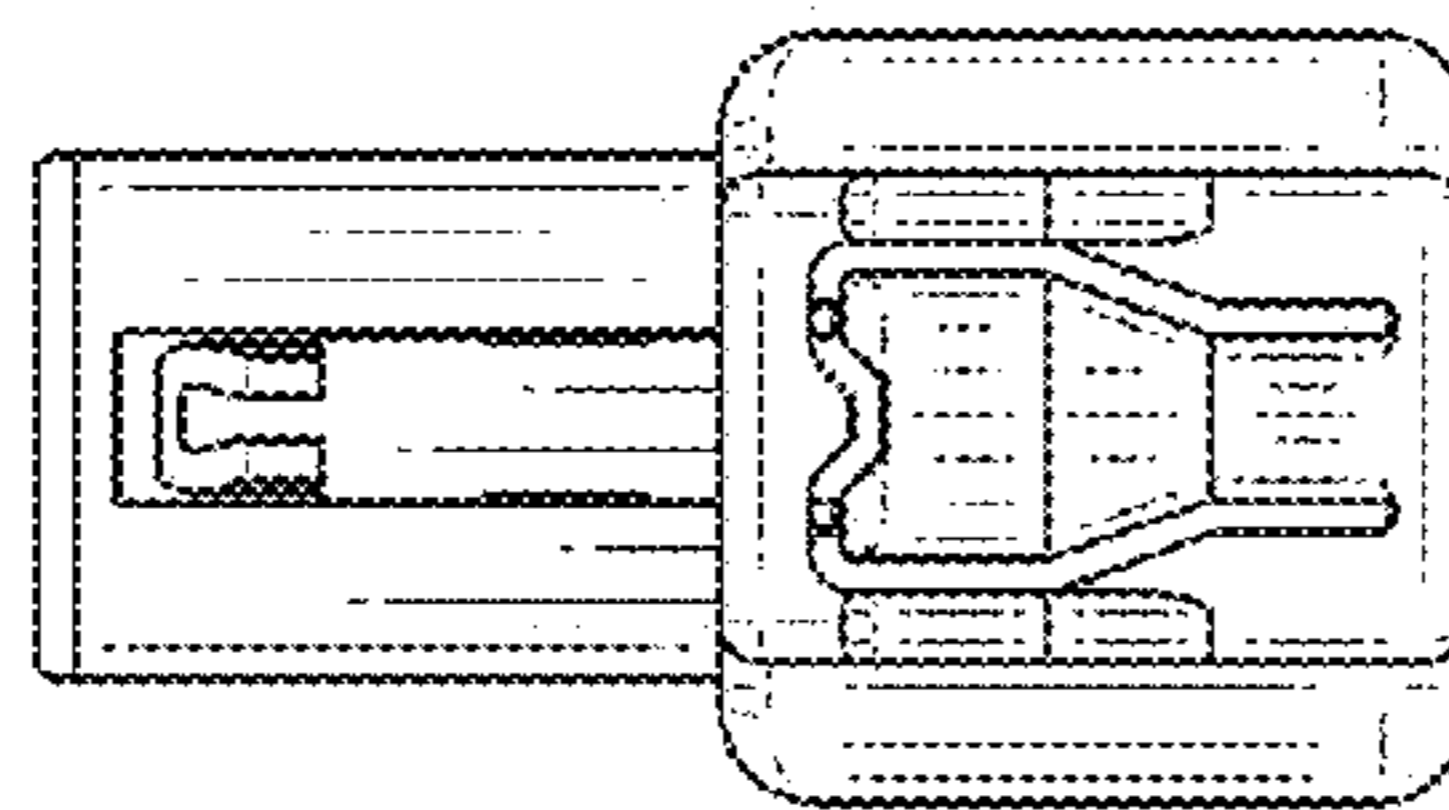


Fig. 6

