



US00D688202S

(12) **United States Design Patent**
Mecca et al.

(10) **Patent No.:** **US D688,202 S**

(45) **Date of Patent:** **** Aug. 20, 2013**

(54) **MOBILE DEVICE CHARGING STATION**

(75) Inventors: **Joseph Augustine Mecca**, Coppell, TX (US); **Paul Martin Mecca**, Arlington, TX (US)

(73) Assignee: **JPM Networks LLC**, Dallas, TX (US)

(**) Term: **14 Years**

(21) Appl. No.: **29/409,446**

(22) Filed: **Dec. 22, 2011**

(51) **LOC (9) Cl.** **13-02**

(52) **U.S. Cl.**
USPC **D13/108**

(58) **Field of Classification Search**
USPC D13/107–110, 118–119, 184, 199;
D14/217, 251, 253, 432, 434; 320/107–115;
D6/553, 567, 574; D19/87, 90; D8/373
See application file for complete search history.

(56) **References Cited**

U.S. PATENT DOCUMENTS

| | | | | |
|---------------|---------|------------------|-------|----------|
| D162,122 S * | 2/1951 | Broeren | | D6/518 |
| D177,713 S * | 5/1956 | Brecken | | D6/475 |
| D182,443 S * | 4/1958 | Sherman | | D19/90 |
| 3,942,669 A * | 3/1976 | Savage, Jr. | | 220/481 |
| D249,353 S * | 9/1978 | Juergens et al. | | D19/90 |
| D254,069 S * | 1/1980 | Haley | | D14/253 |
| D279,630 S * | 7/1985 | Bart | | D6/567 |
| D296,965 S * | 8/1988 | Yeh | | D6/573 |
| D332,724 S * | 1/1993 | Porter | | D7/600.4 |
| D357,405 S * | 4/1995 | Philippi | | D8/373 |
| D364,158 S * | 11/1995 | Branch | | D14/137 |
| D398,470 S * | 9/1998 | St-Pierre et al. | | D6/574 |
| D426,041 S * | 5/2000 | Boghossian | | D34/6 |

| | | | | |
|--------------|---------|----------------|-------|---------|
| D432,578 S * | 10/2000 | Stravitz | | D19/91 |
| D442,076 S * | 5/2001 | Swanson | | D8/373 |
| D512,066 S * | 11/2005 | Solomon et al. | | D14/434 |
| D516,562 S * | 3/2006 | Solomon et al. | | D14/434 |
| D527,728 S * | 9/2006 | Sbordon, Jr. | | D14/253 |
| D546,610 S * | 7/2007 | Blanchard | | D6/567 |
| D548,282 S * | 8/2007 | Chen et al. | | D19/90 |
| D551,542 S * | 9/2007 | Gallien et al. | | D8/373 |
| D585,897 S * | 2/2009 | Carnevali | | D14/434 |
| D614,427 S * | 4/2010 | Nejad | | D6/553 |
| D638,284 S * | 5/2011 | Craft | | D8/373 |
| D648,800 S * | 11/2011 | Dambricourt | | D19/90 |
| D663,726 S * | 7/2012 | Gourley | | D14/251 |

* cited by examiner

Primary Examiner — Rosemary K Tarcza

(74) *Attorney, Agent, or Firm* — Belair Intellectual Property Law LLC

(57) **CLAIM**

The ornamental design for a mobile device charging station, as shown and described.

DESCRIPTION

FIG. 1 is a perspective view of a mobile device charging station showing our new design;

FIG. 2 is a front view thereof;

FIG. 3 is a back view thereof;

FIG. 4 is a top view thereof;

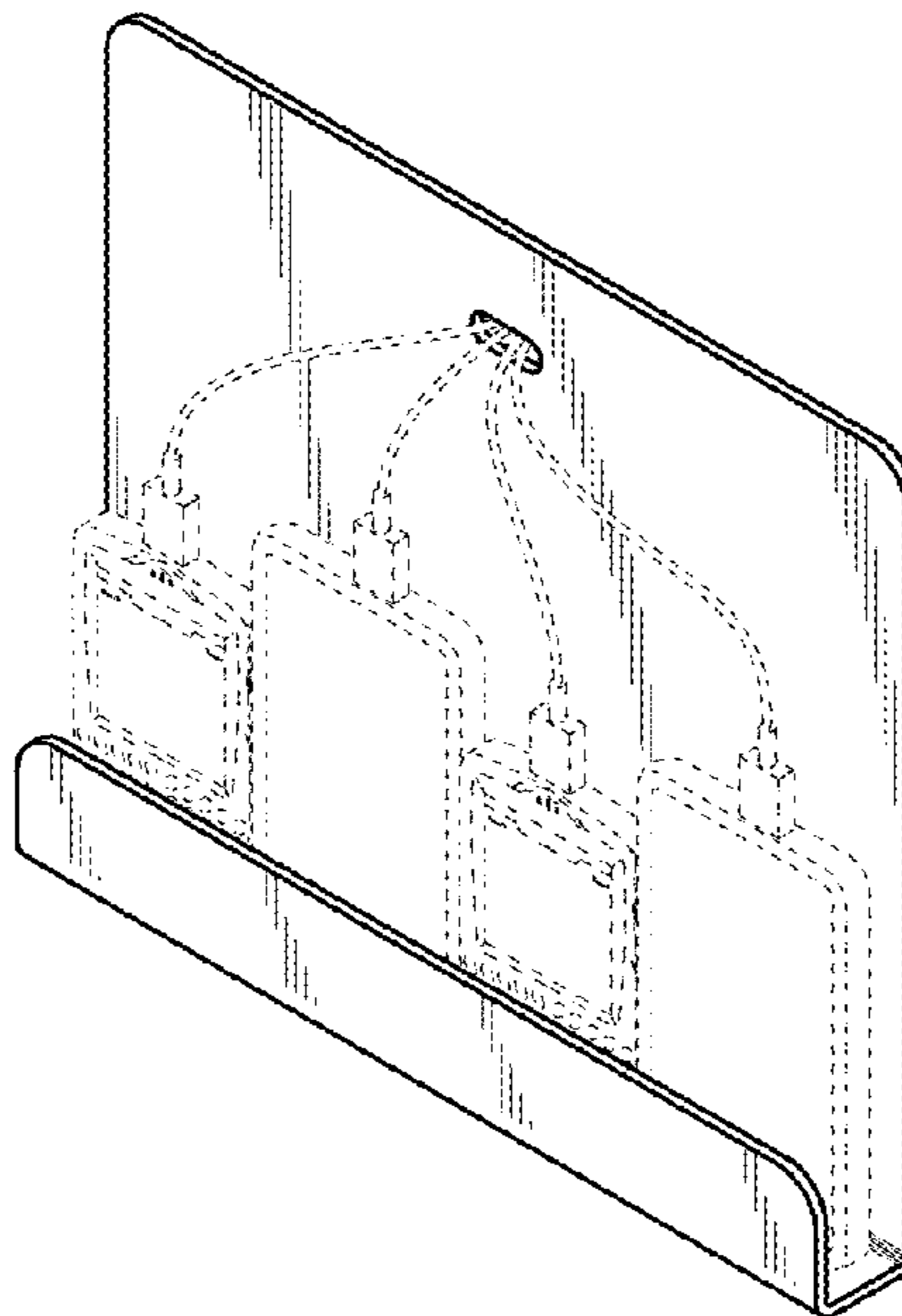
FIG. 5 is a bottom view thereof;

FIG. 6 is a left side view thereof; and,

FIG. 7 is a right side view thereof.

The dashed lines shown in the drawings are included for the purpose of illustrating environmental structure and form no part of the claimed design.

1 Claim, 2 Drawing Sheets



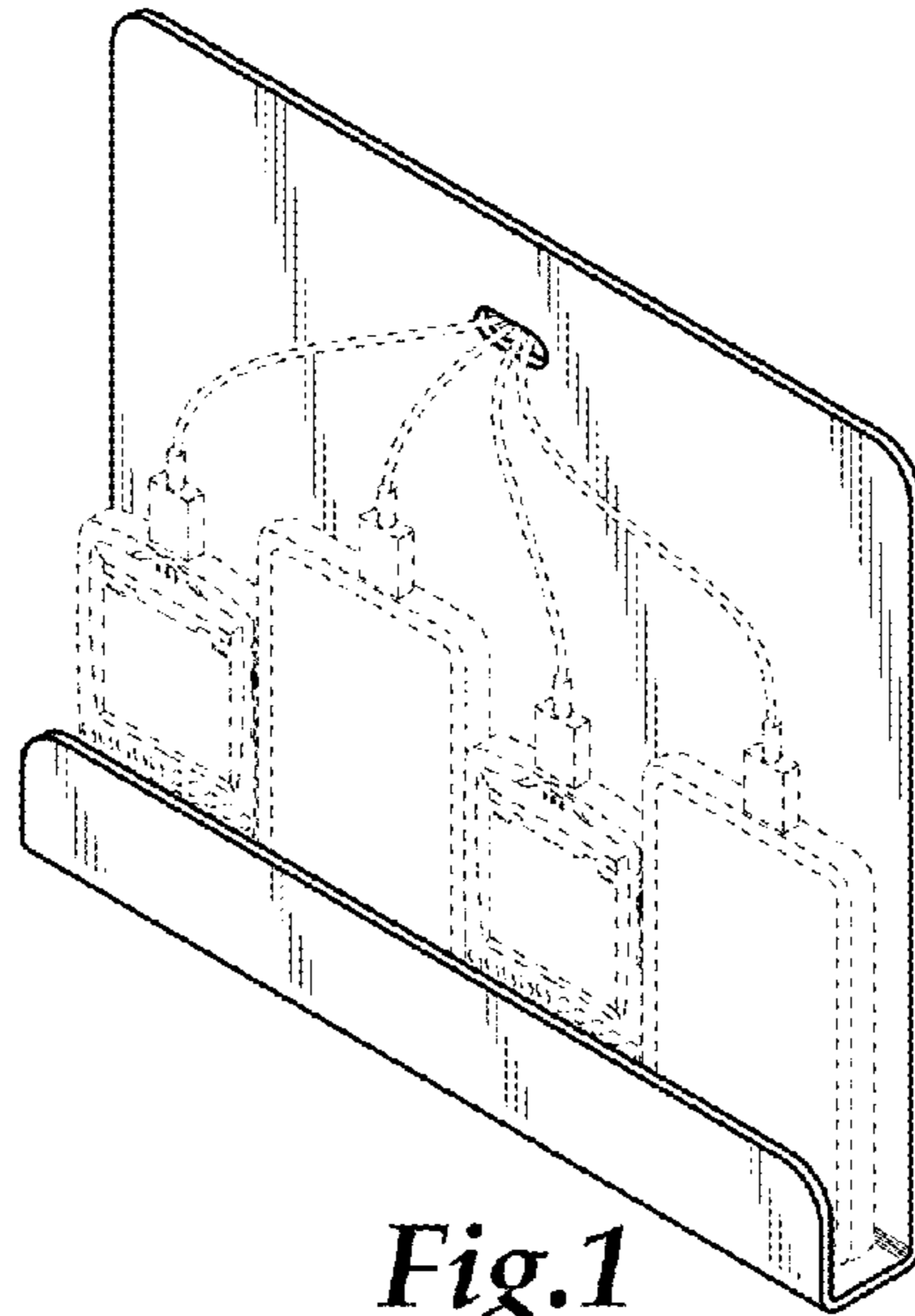


Fig.1

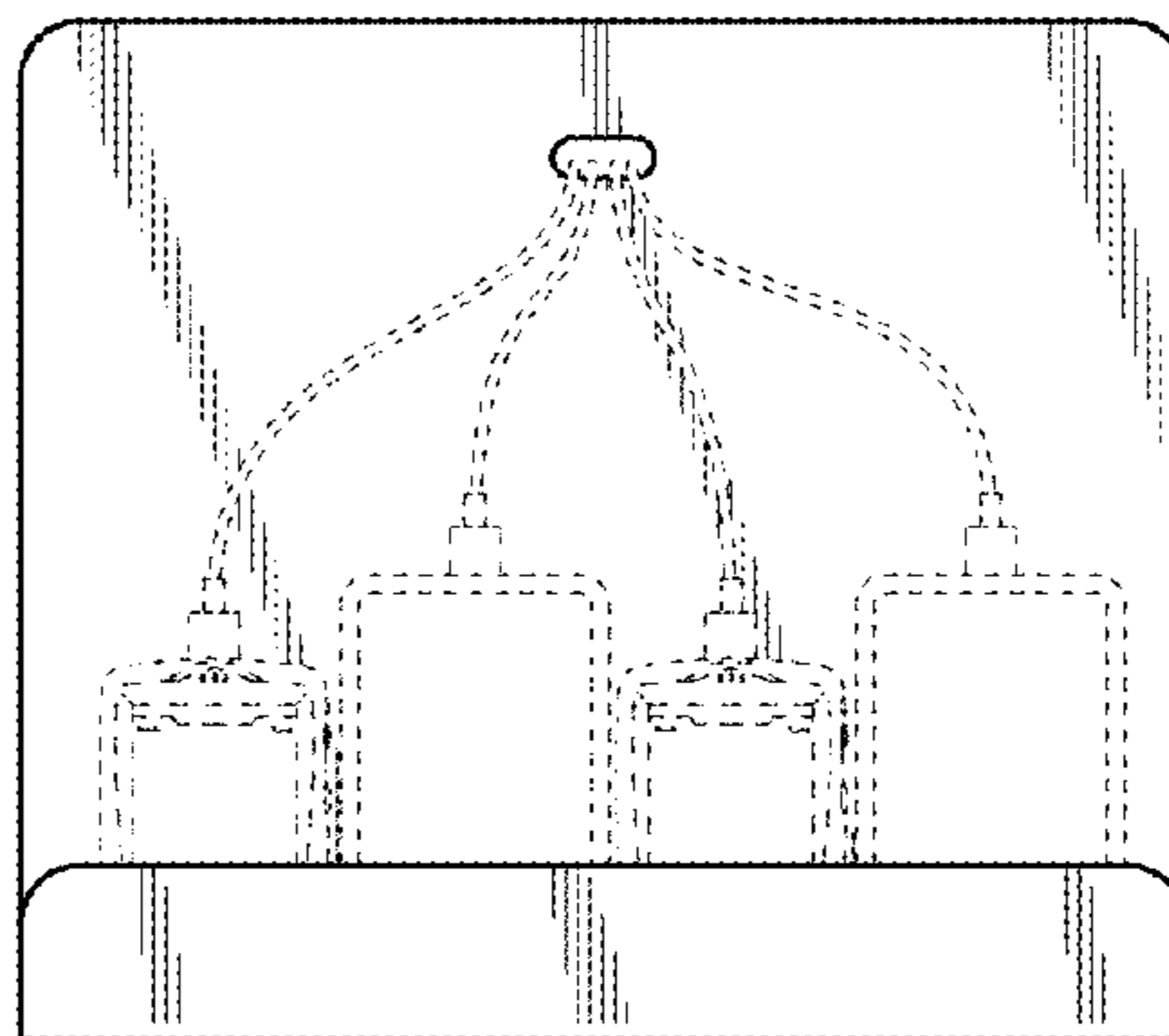


Fig.2

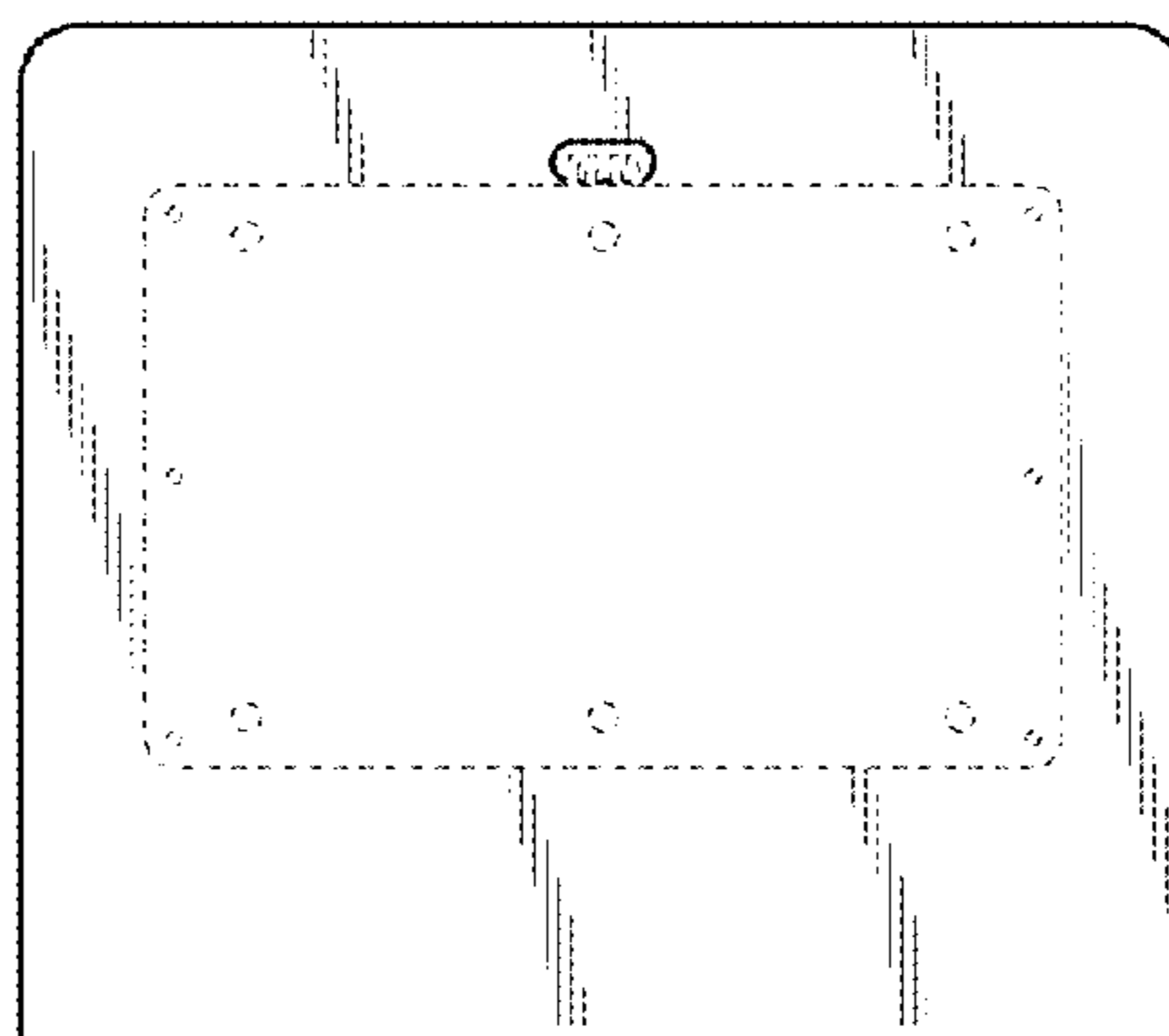


Fig.3

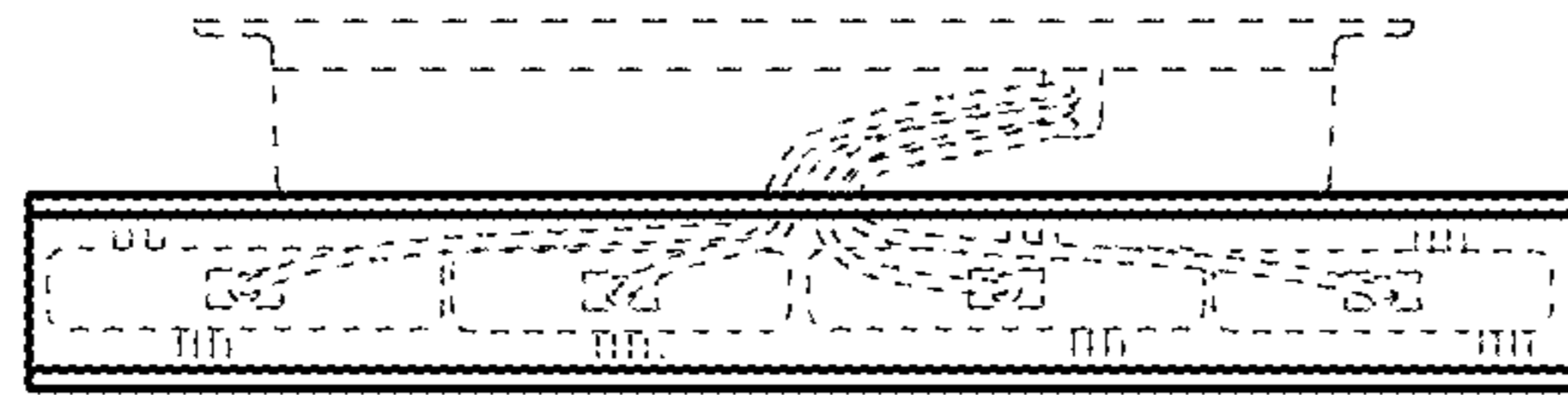


Fig.4

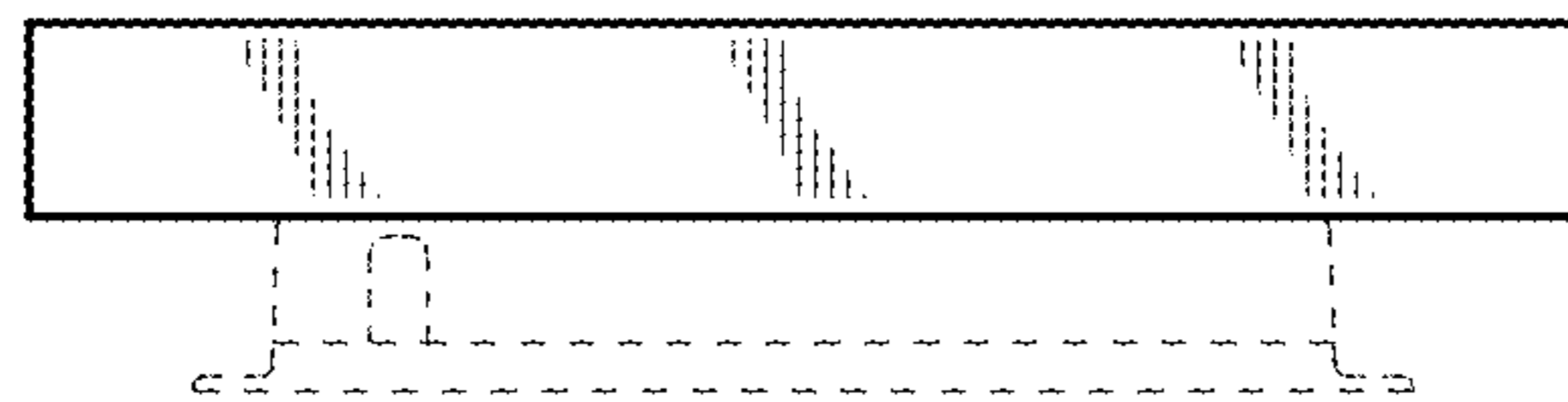


Fig.5

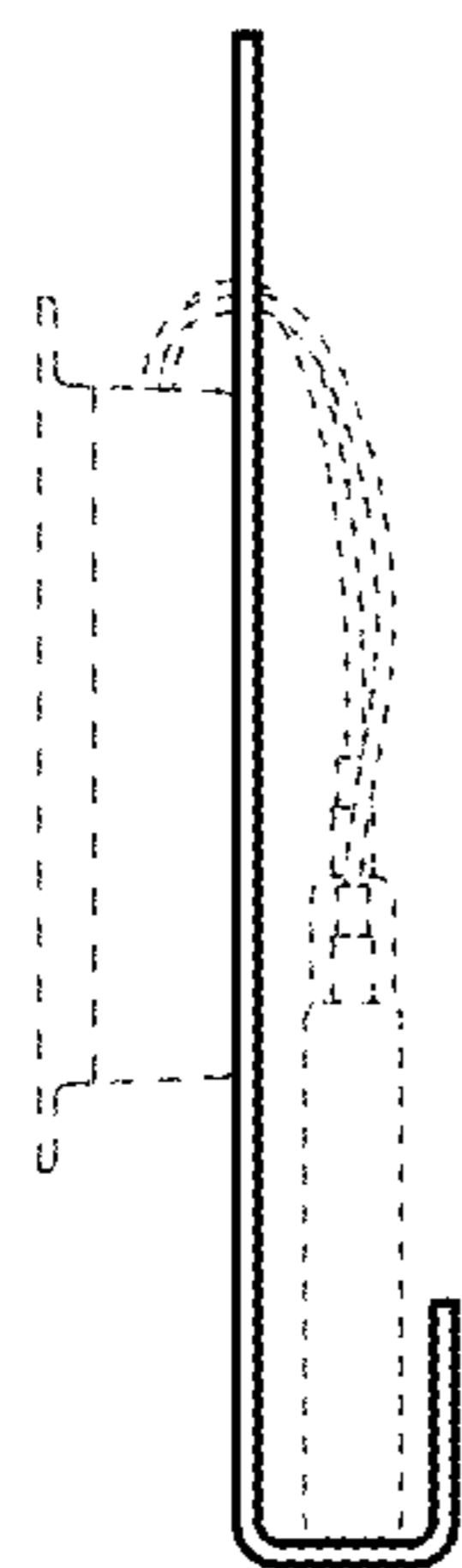


Fig.6

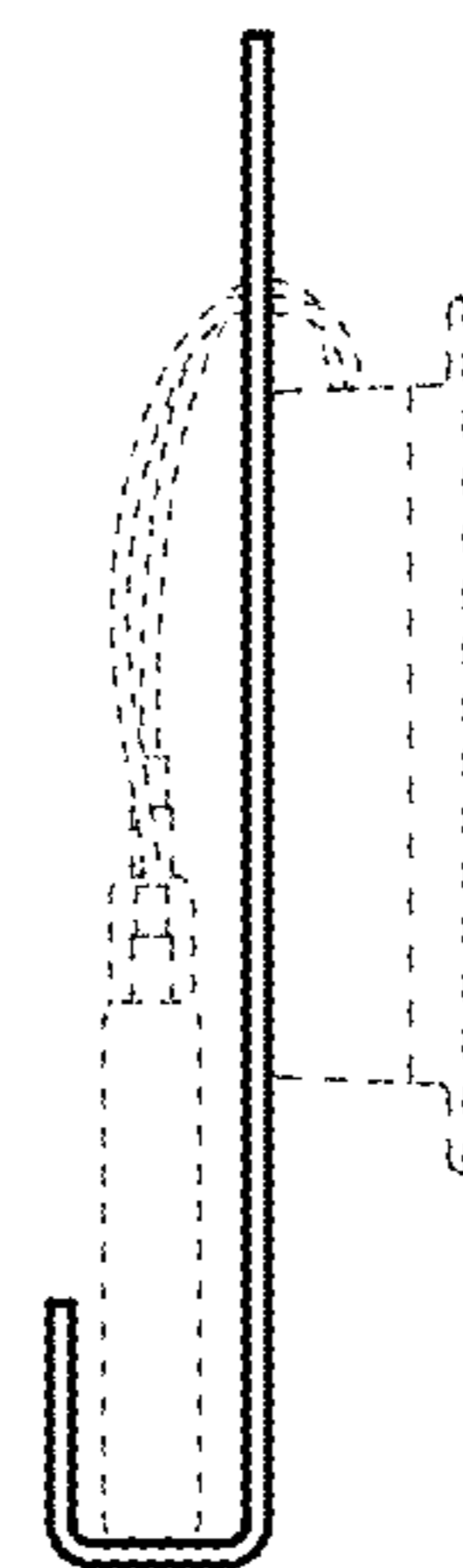


Fig.7